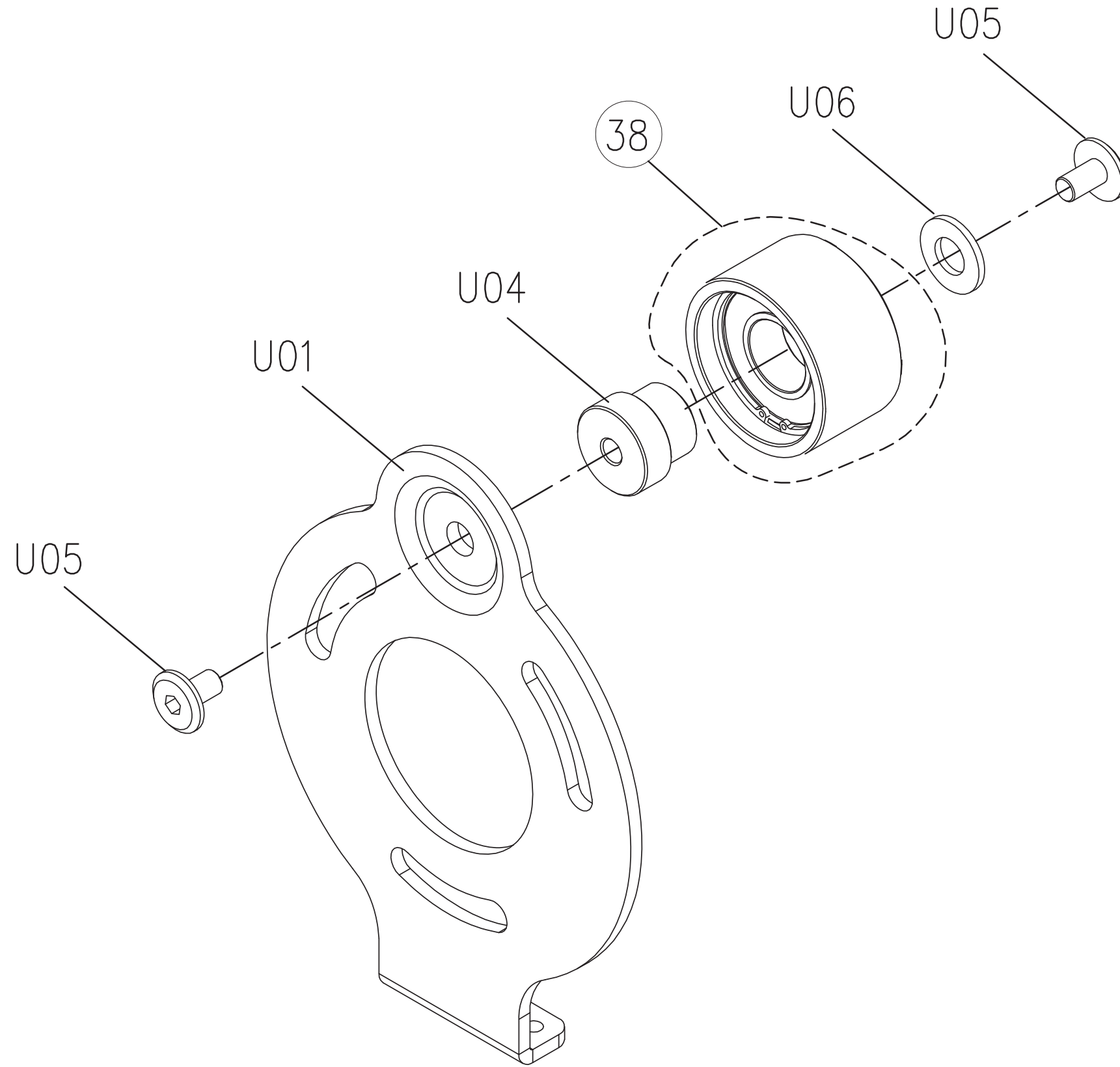
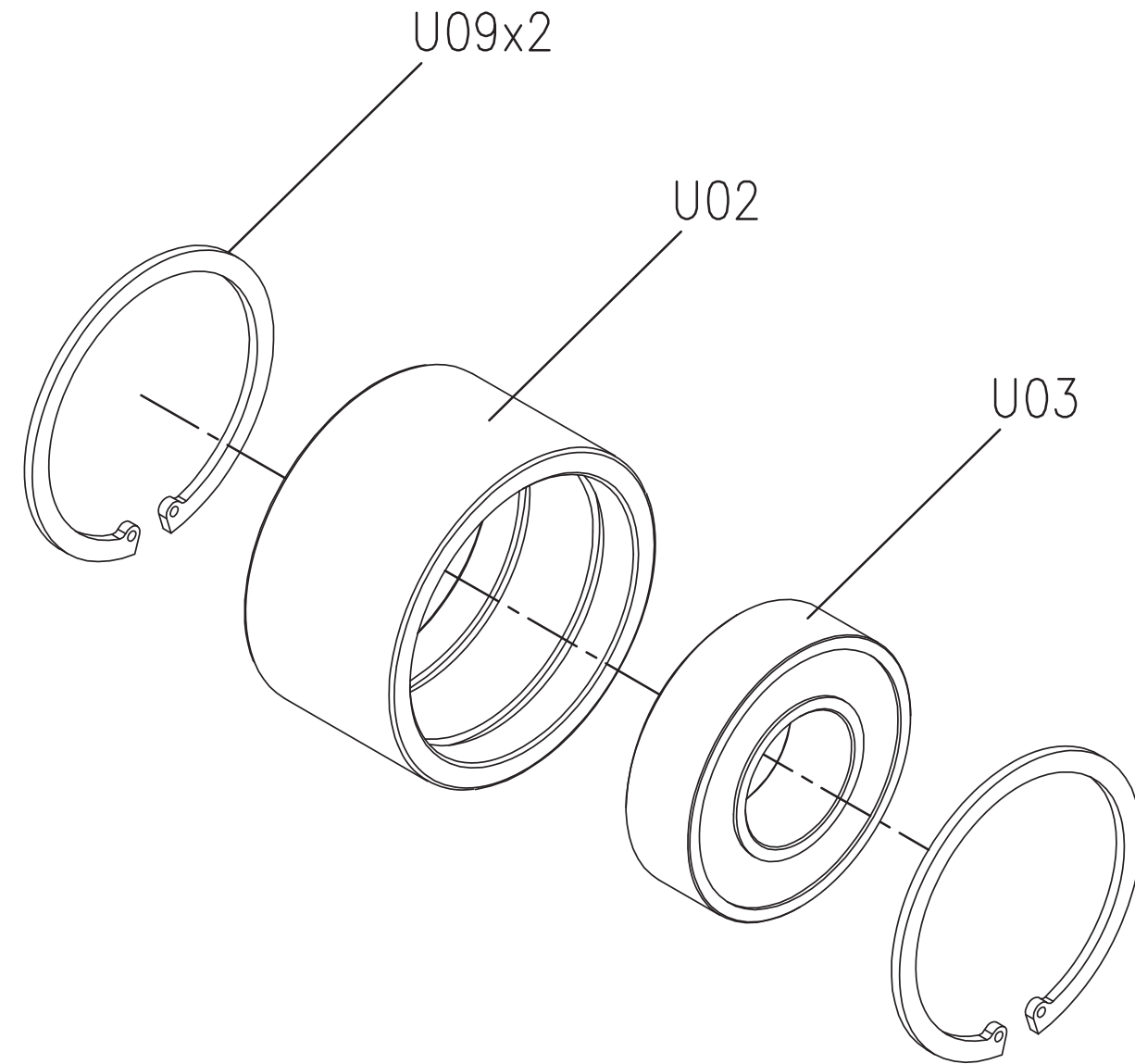




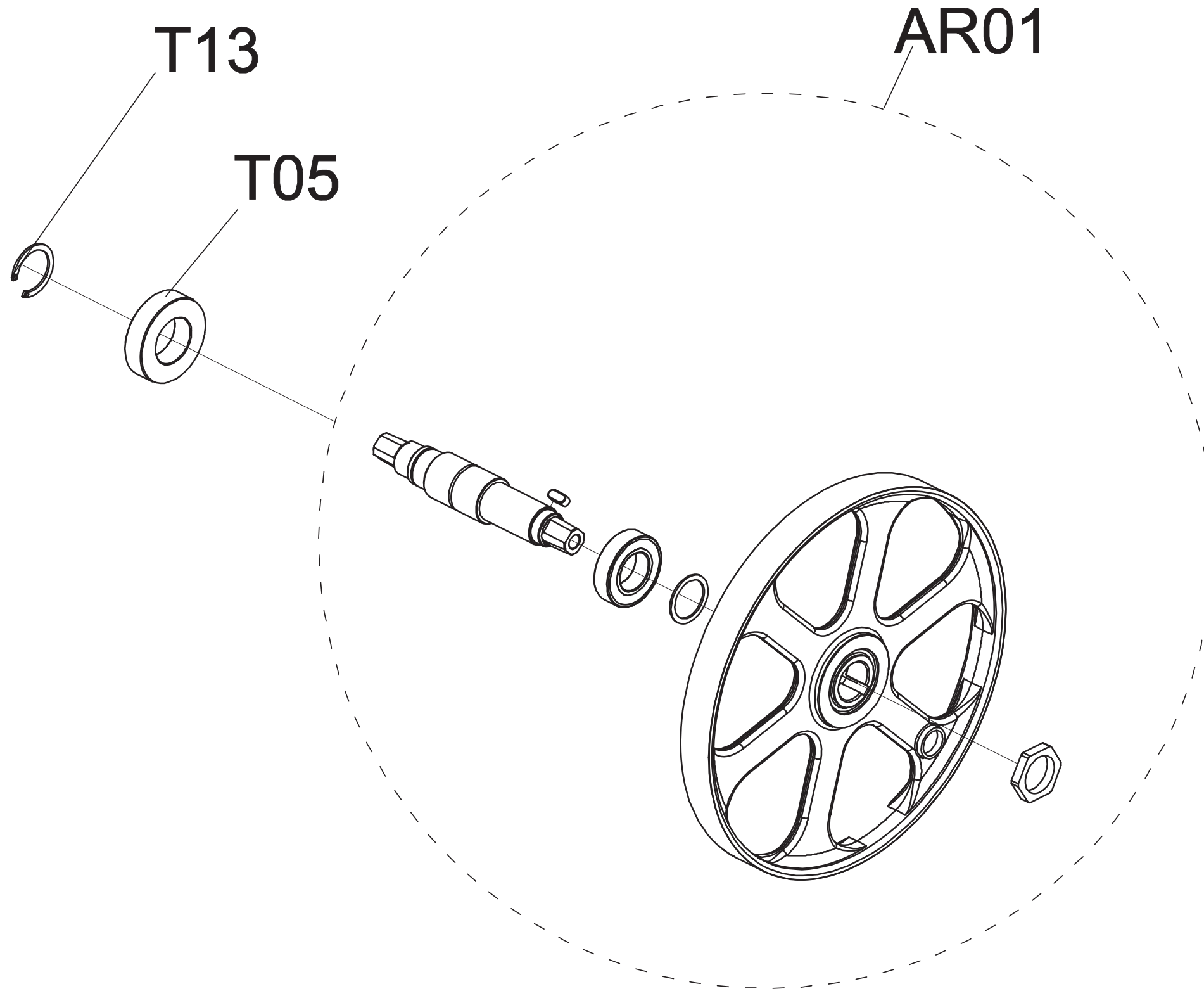
DRAWING NO	CB92-AU3		
PART NAME	Idler Fix Plate Set		
PART NO	1000230354 <sup>R</sup> <sub>B</sub>		
APPROVE	KEN	DATE	20121217



DRAWING NO	CB92-AU4		
PART NAME	Idler Set		
PART NO	1000307358	REV	B
APPROVE	KEN	DATE	20130116

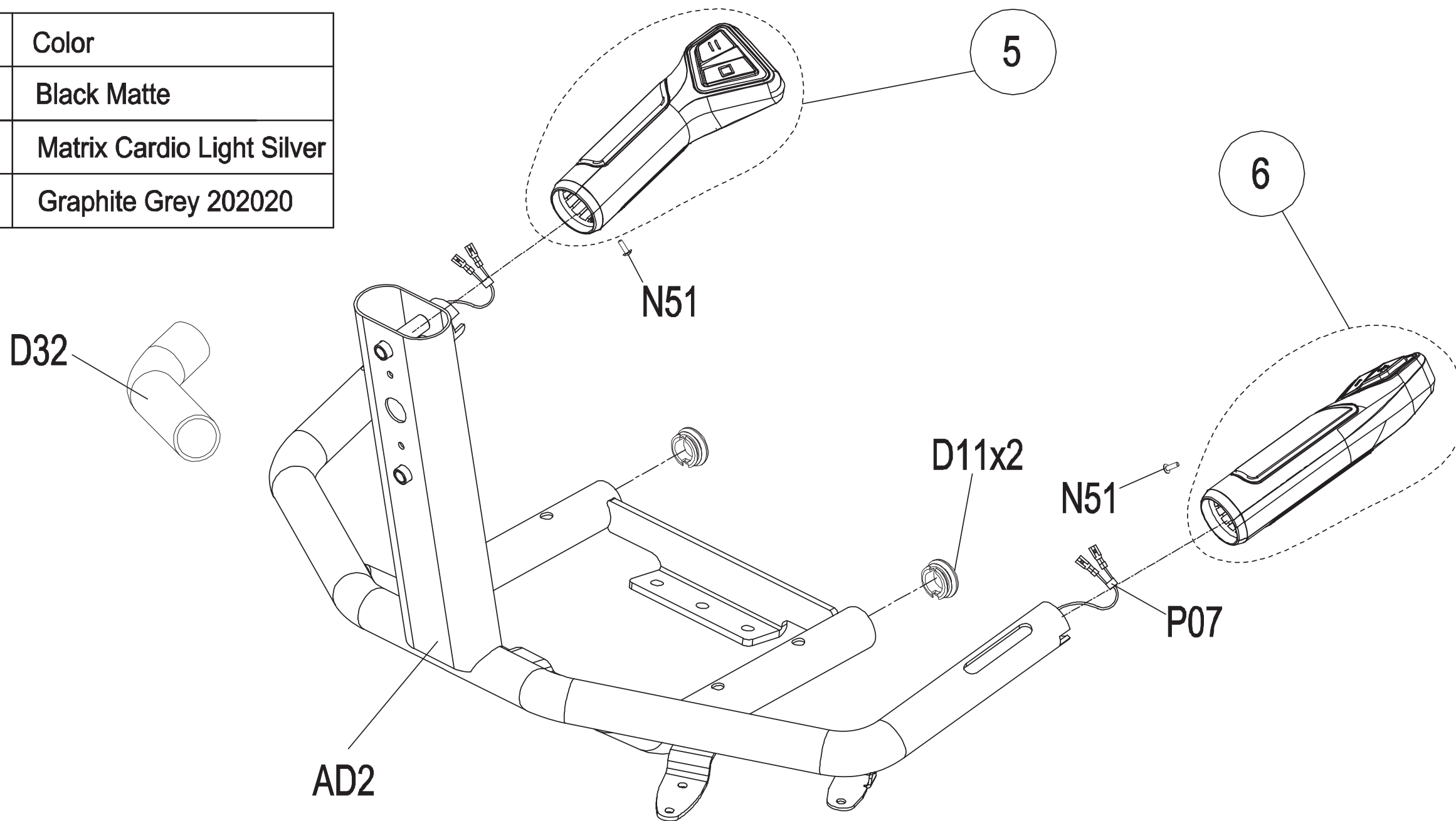


DRAWING NO	CB207-SF01		
PART NAME	Transmission Set		
PART NO	1000450892		A
APPROVER	ABBY	DATE	03192020

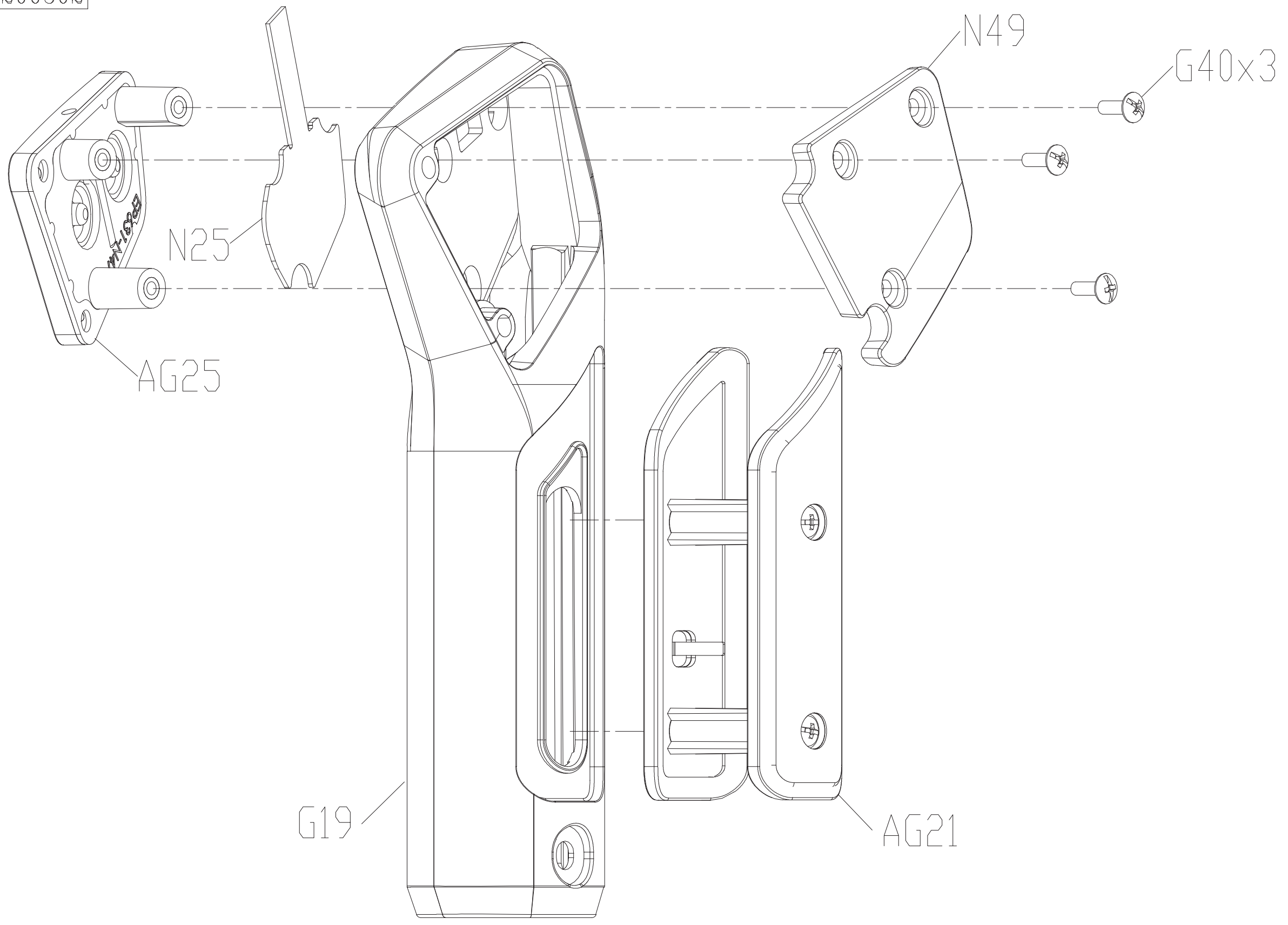


DRAWING NO	RB209-AD01		
PART NAME	Seat set		
PART NO	See Chart	REV	A
APPROVE	Harvey	DATE	2019.12.27

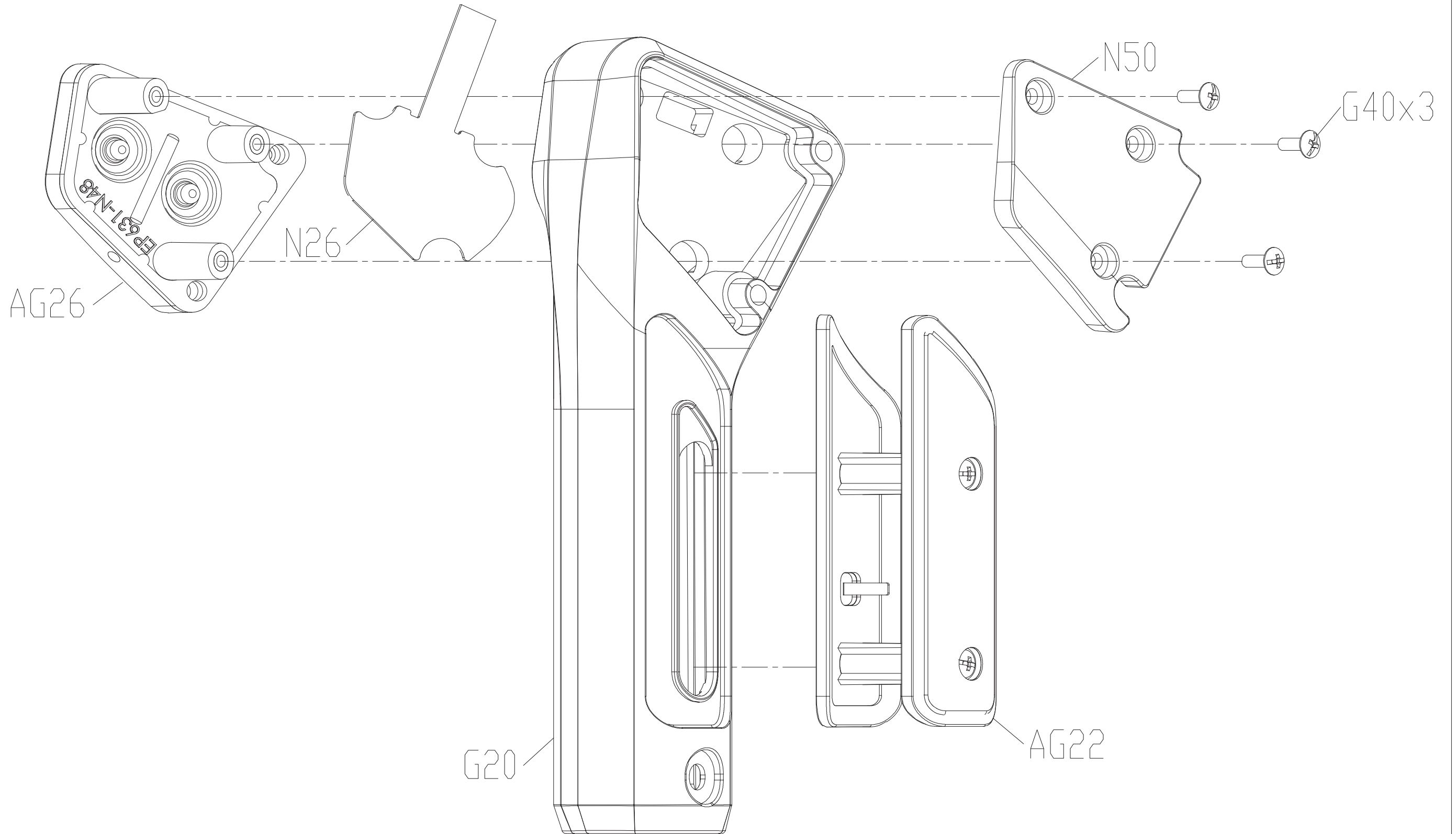
Part NO.	Color
1000446596	Black Matte
1000448209	Matrix Cardio Light Silver
1000444520	Graphite Grey 202020



DRAWING NO	CS33-AG7		
PART NAME	Hand Pulse Set;Quickly Key;left		
PART NO	1000437064		
APPROVE	BROOK	DATE	20200302



DRAWING NO	CS33-AG8		
PART NAME	Hand Pulse Set;Quickly Key,right		
PART NO	1000437065	REV	D
APPROVE	BROOK	DATE	20200302



DRAWING NO	CS33-AG21		
PART NAME	Pulse Sensor Set;Grip;left		
PART NO	1000433339 <sup>R</sup> <sub>V</sub> B		
APPROVE	BROOK	DATE	20190514

