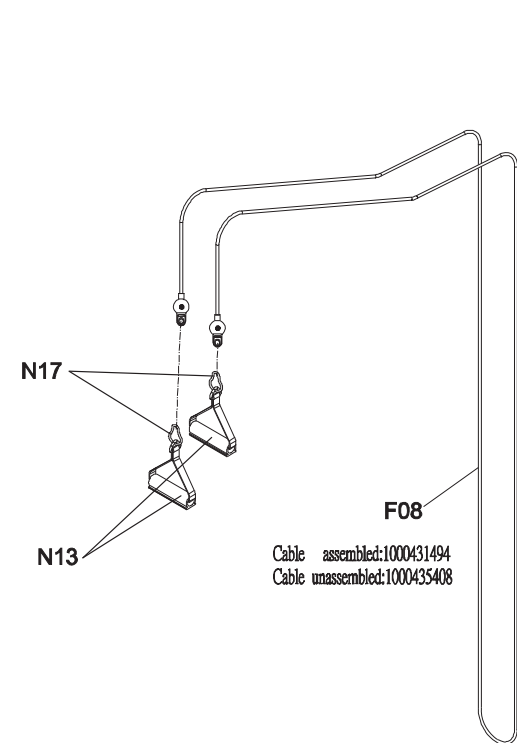
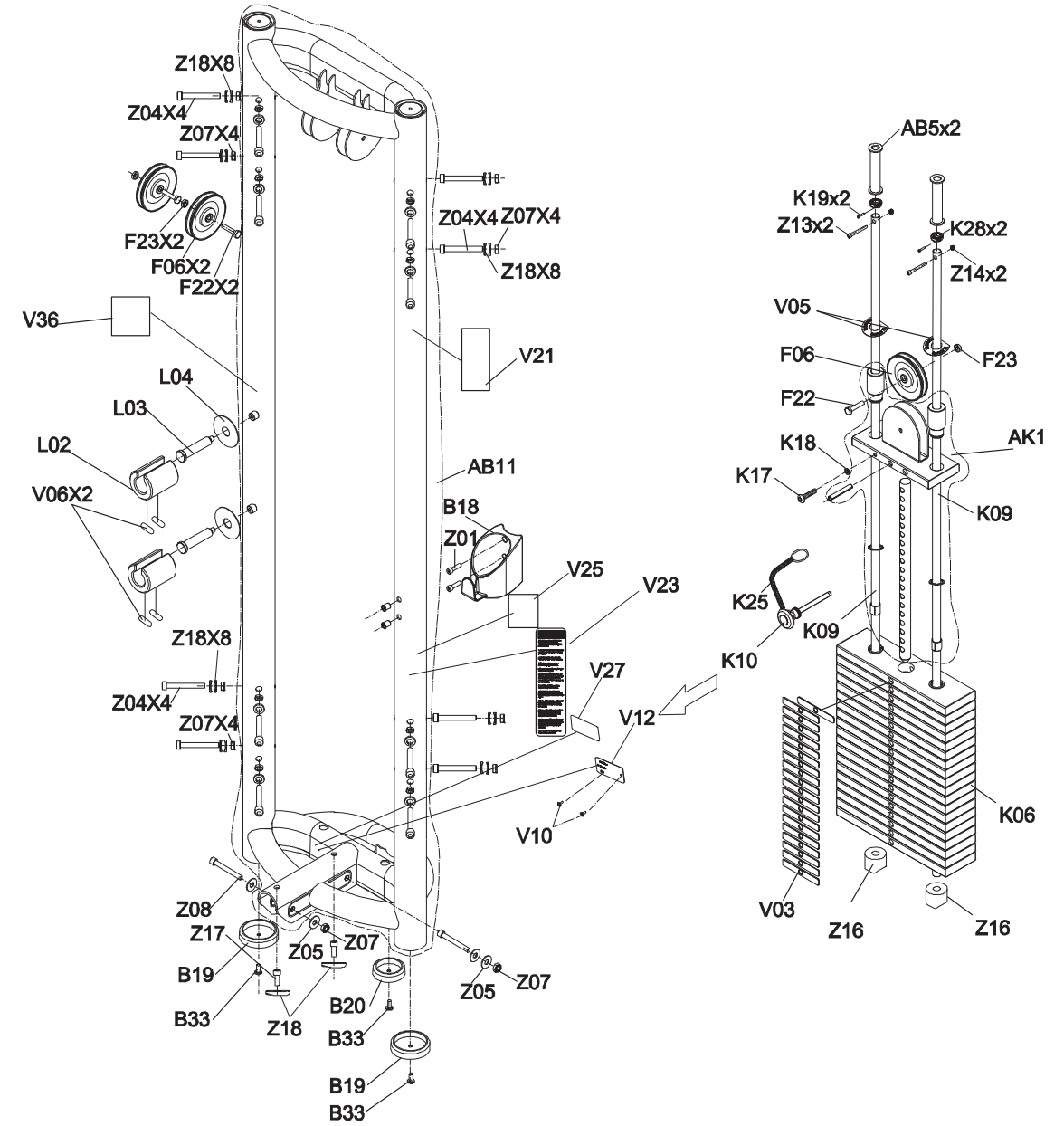
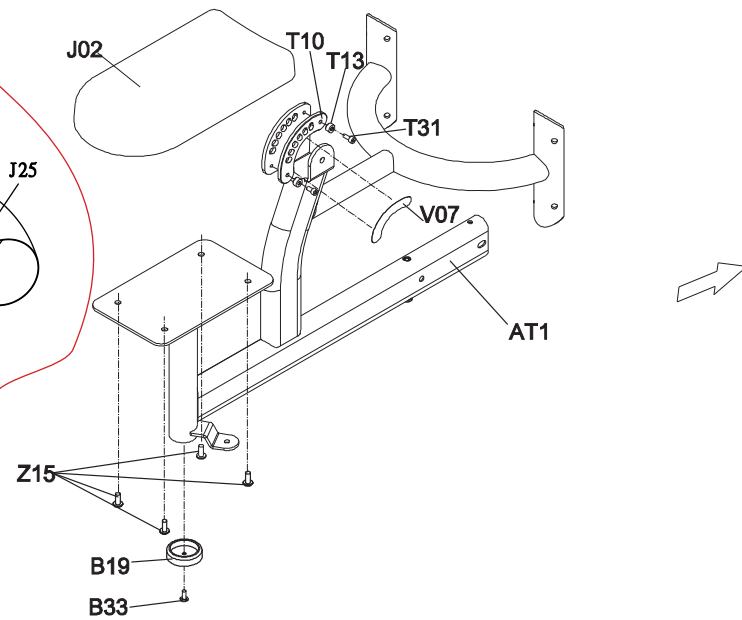
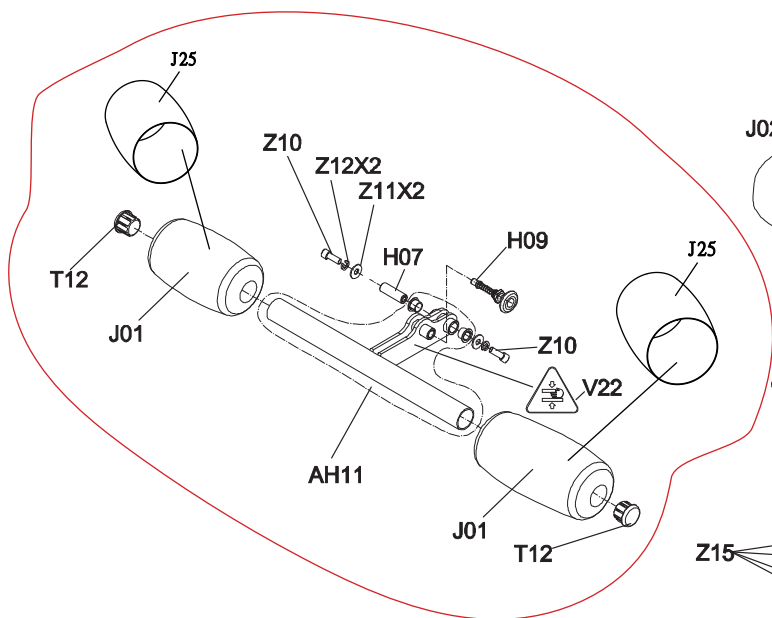
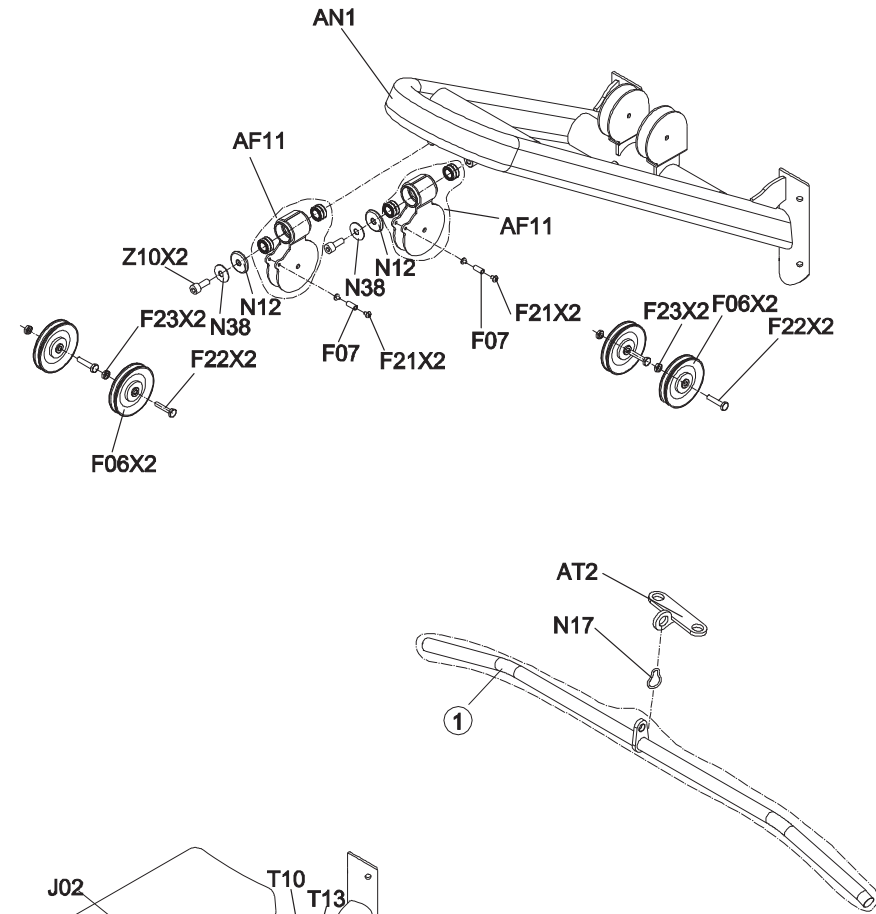


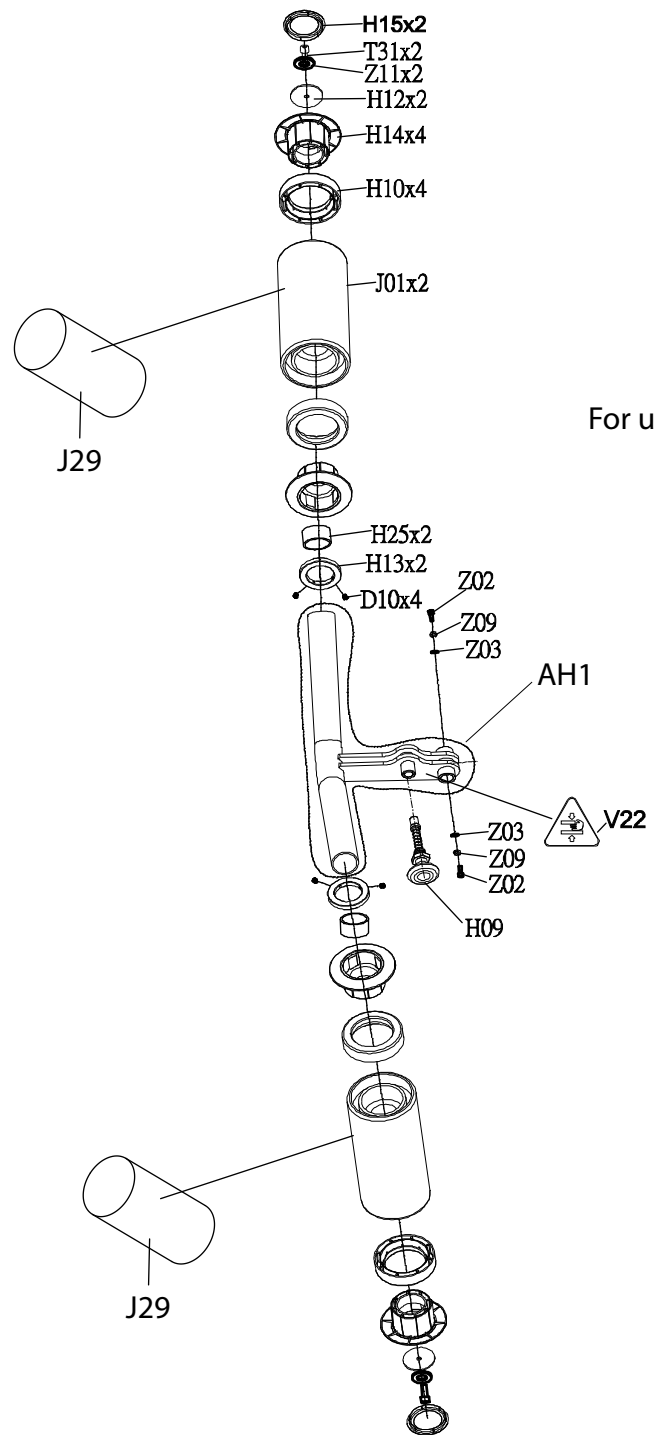
DRAWING NO	PG3MS51B-KM		
PART NAME	Explosive Diagram		
PART NO	MMS0156-00	REV	A
APPROVE	Taoyongchun	DATE	01/09/19



Cable assembled:1000431494
Cable unassembled:1000435408



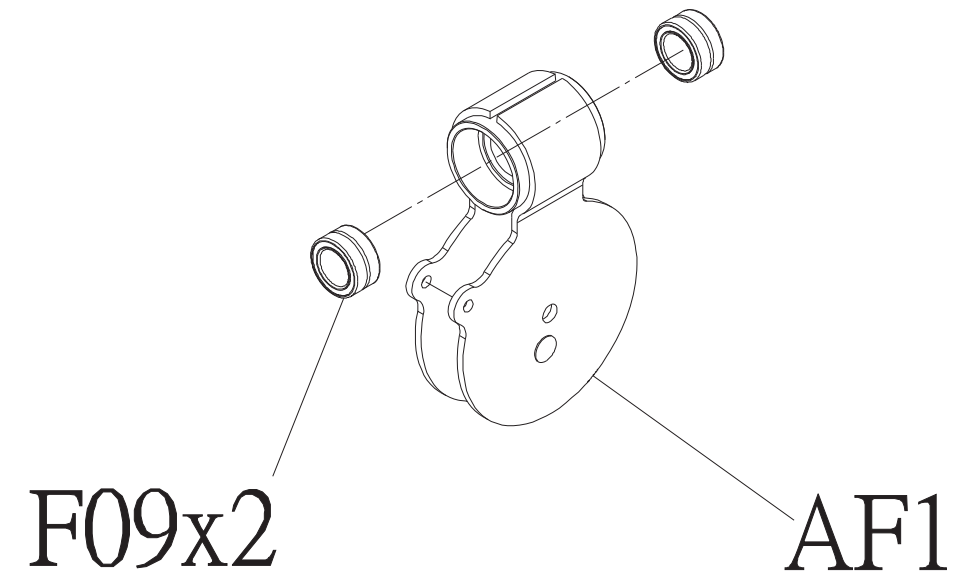
For units produced before July 2019.
[Click here](#) for units produced in July 2019 or after.



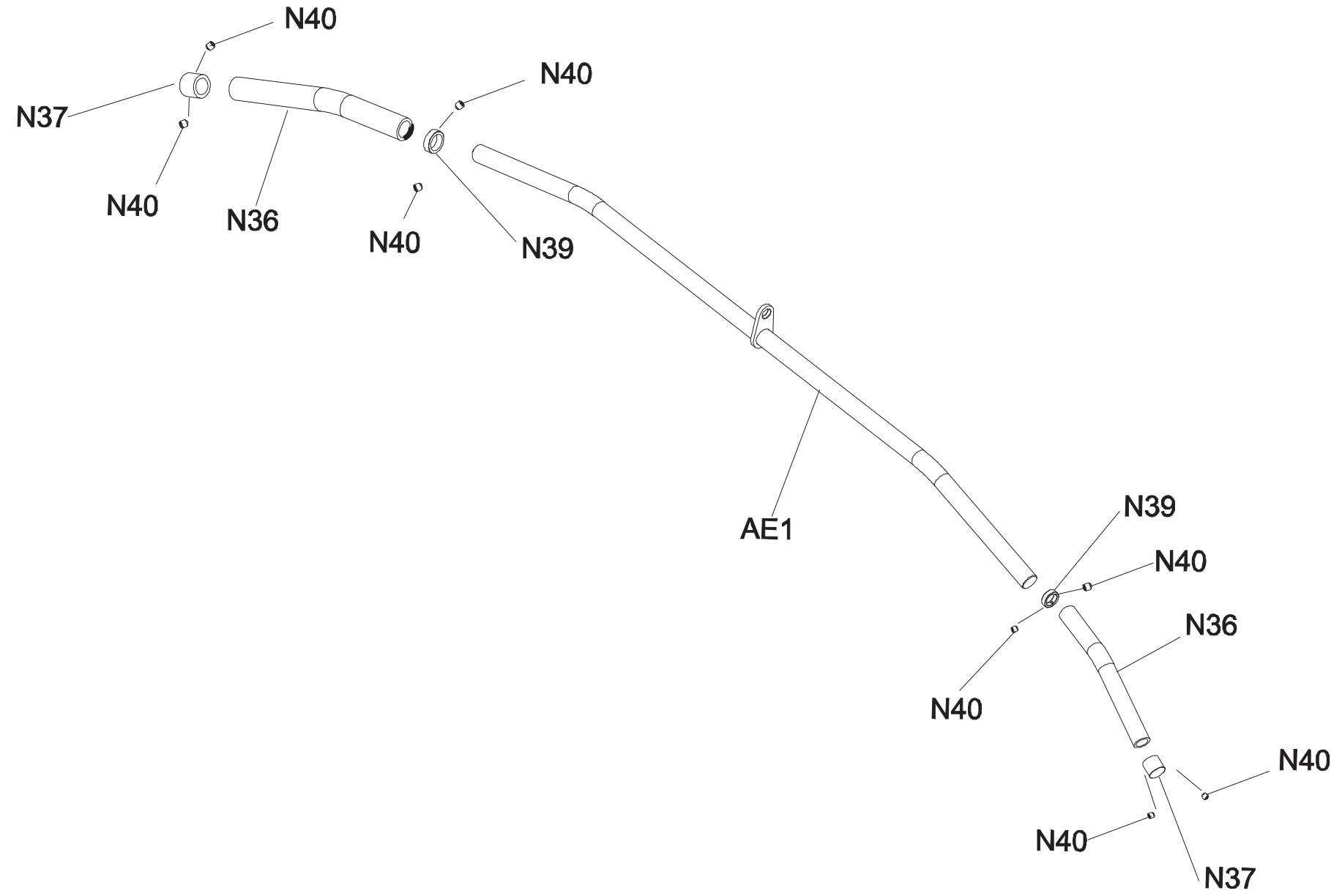
For units produced in July 2019 or after

DRAWING NO	MS51-SF02		
PART NAME	STEEL ROPE PULLEY SET		
PART NO	See Chart	REV	A
APPROVE	Zhouping	DATE	2017.01.24

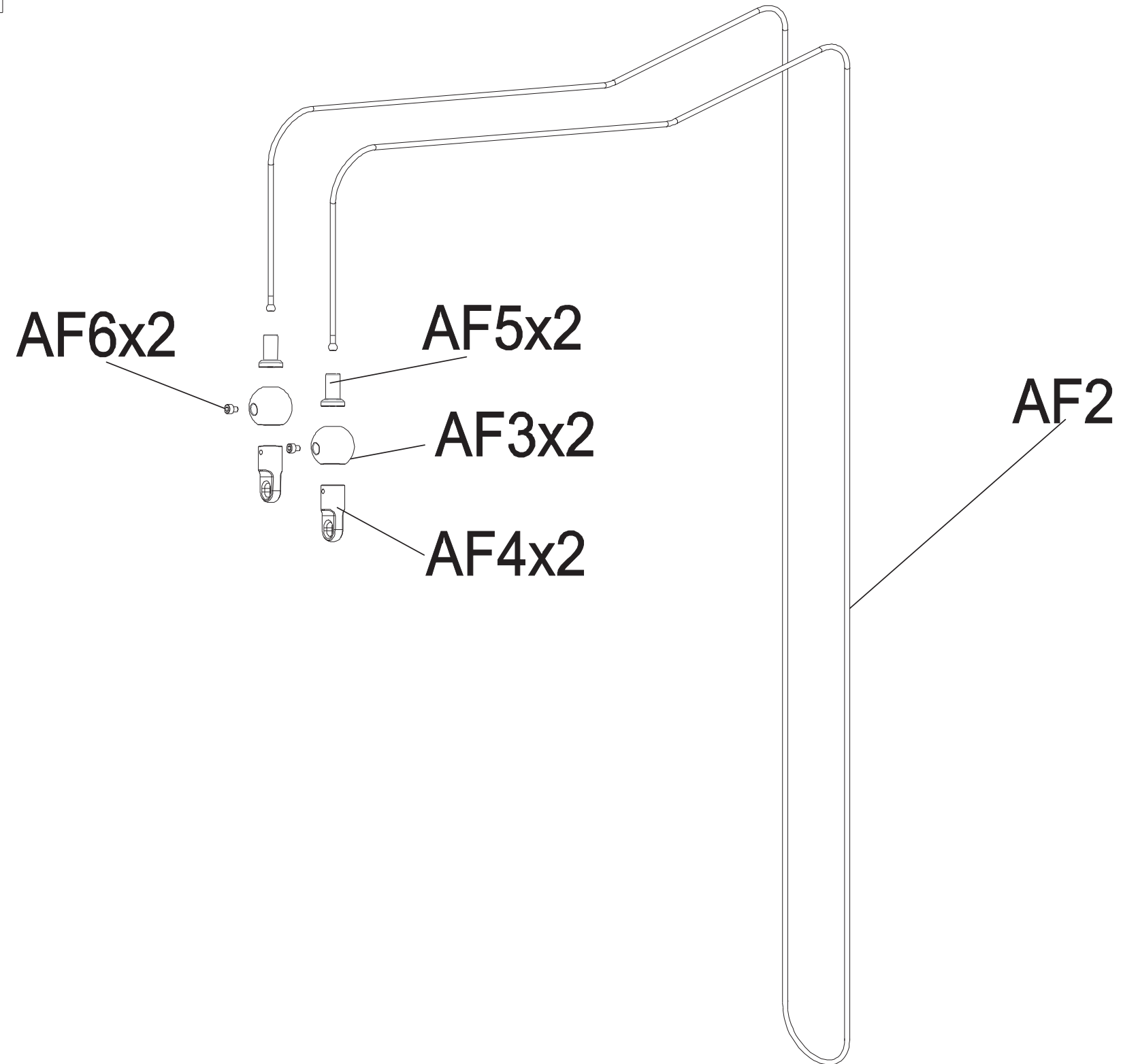
SAP NO.	Color
1000375536	Iced Sliver
1000375537	Platinum
1000375538	Polarized Titanium
1000375539	Lace White
1000375540	Pearl White
1000320868	Mat Black
1000375541	Flat Black



DRAWING NO	MS51B-SF01		
PART NAME	Handle Set;Assembly		
PART NO	1000419004	REV	A
APPROVE	PAIGE	DATE	03.06.2018



DRAWING NO	MS51-SF35		
PART NAME	Rendering;Steel Rope Unassembled;MS51		
PART NO	1000435408	REV	A
APPROVE	Taoyongchun	DATE	12192018



DRAWING NO	
PART NAME	Up Weight Plate Set-Exreawork
PART NO	1000318313 REV A
APPROVE	Ares
DATE	08/20/13

