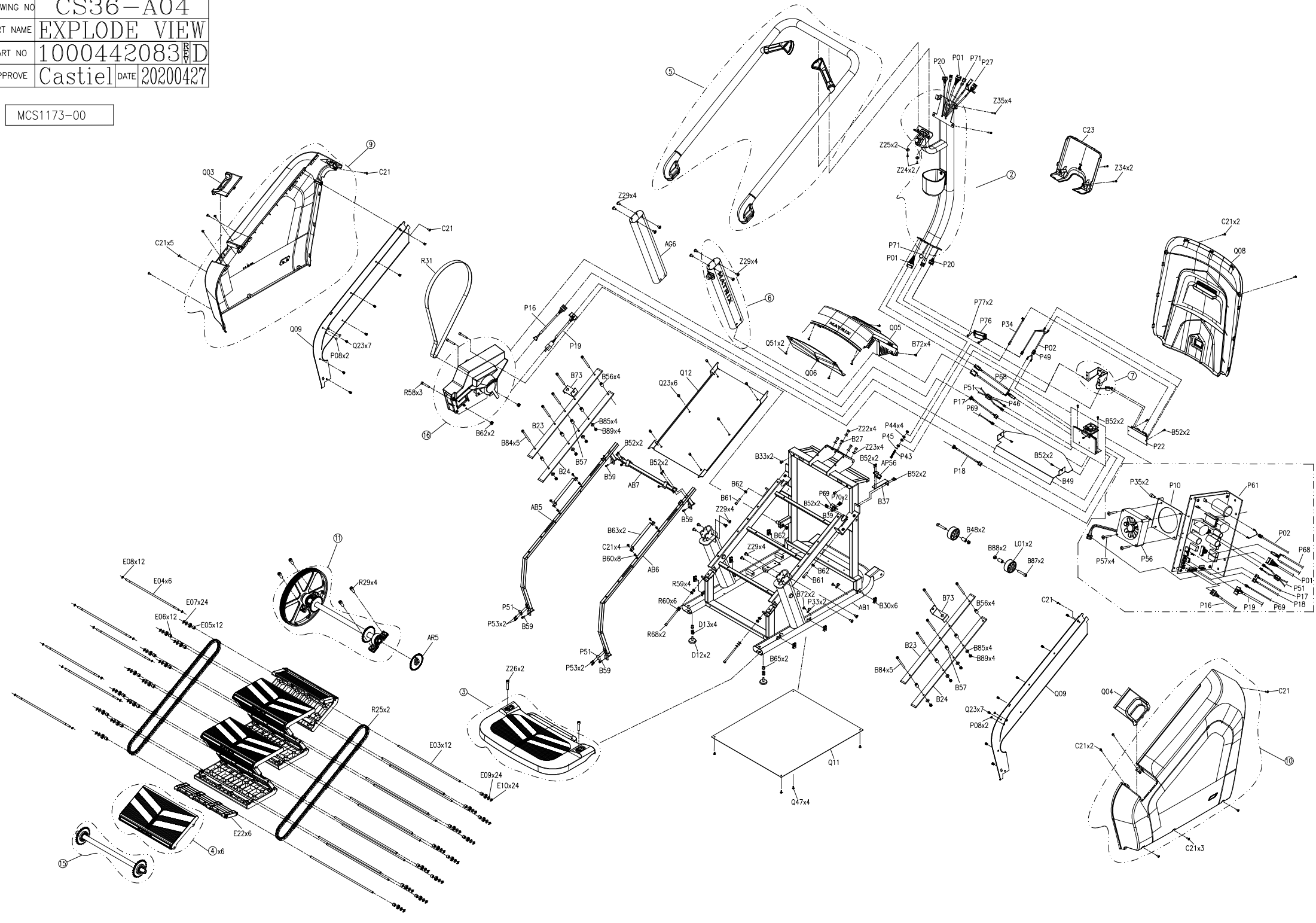
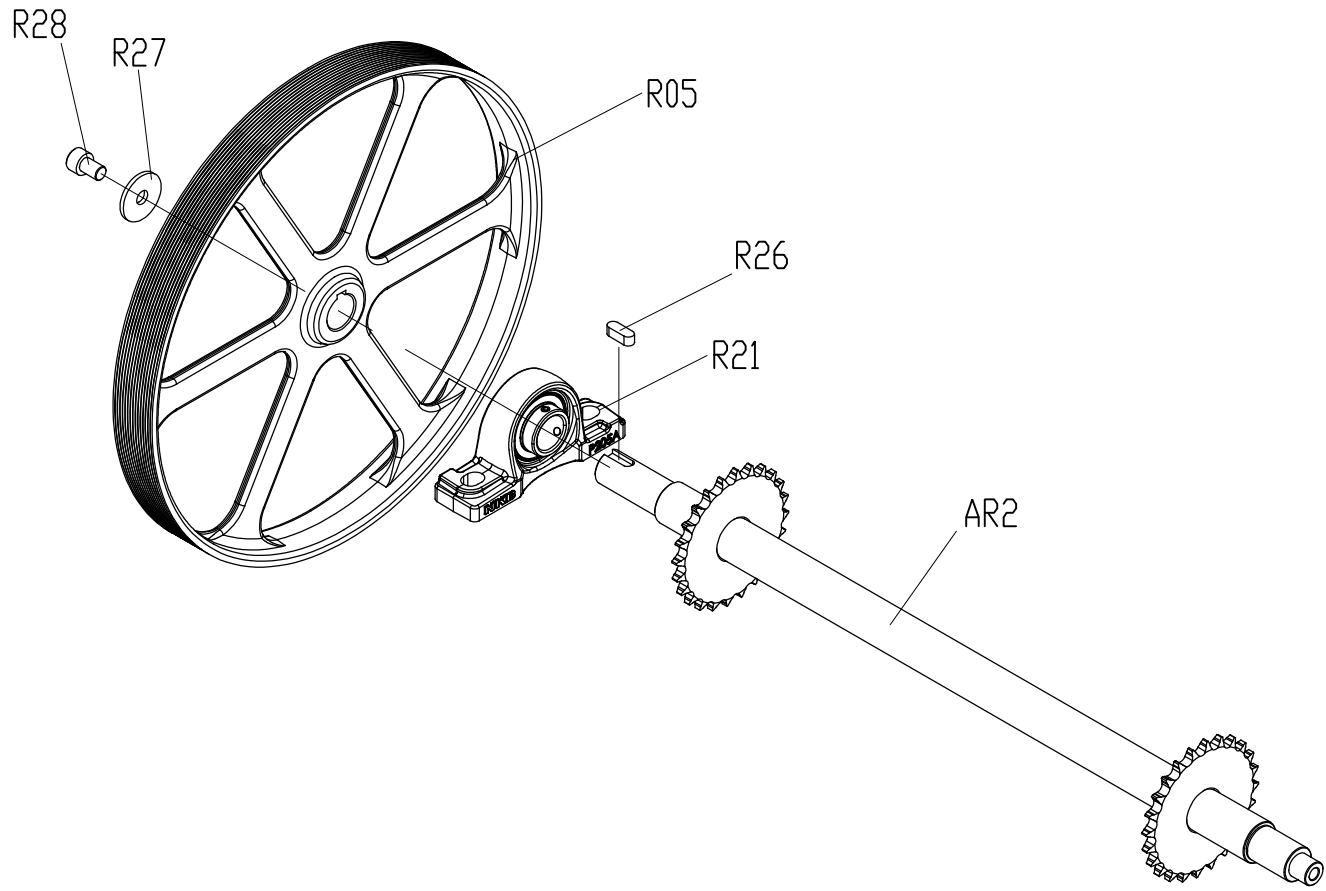


DRAWING NO	CS36-A04
PART NAME	EXPLODE VIEW
PART NO	1000442083
APPROVE	Castiel
DATE	20200427

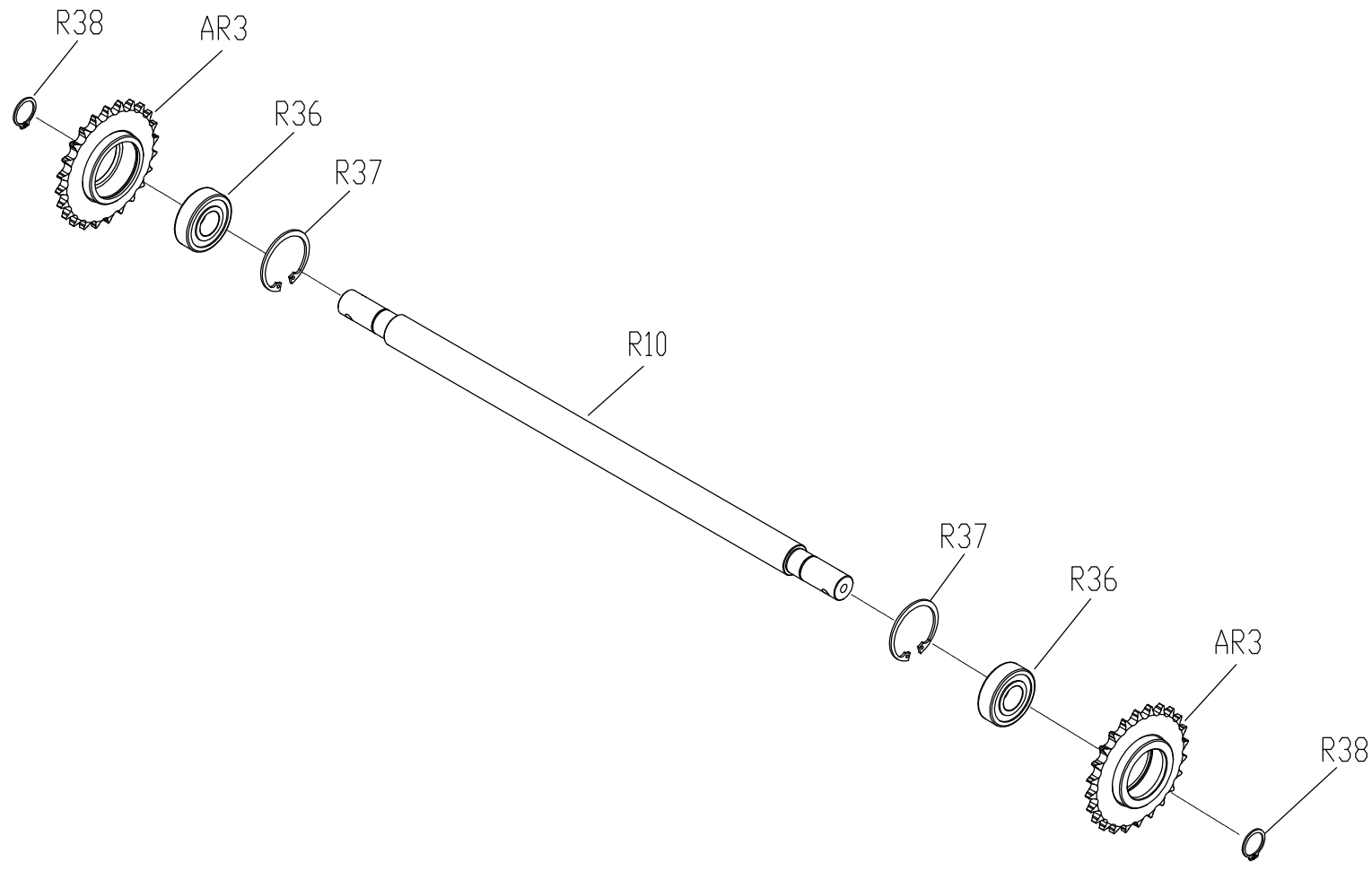
MCS1173-00



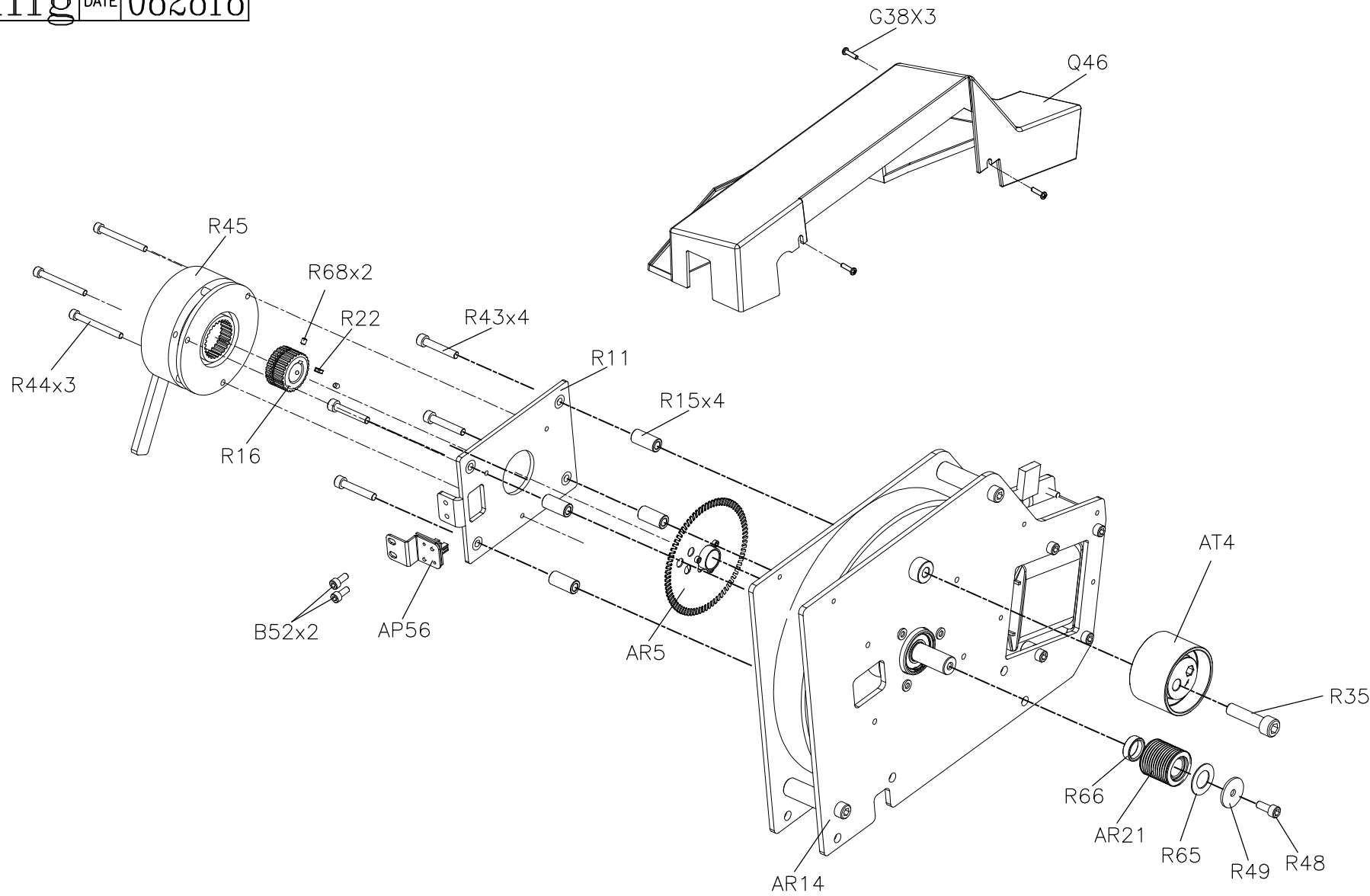
DRAWING NO	CS31-AR11		
PART NAME	Sprocket Set;front		
PART NO	1000404319 ^R A		
APPROVE	Max Wang	DATE	20170803



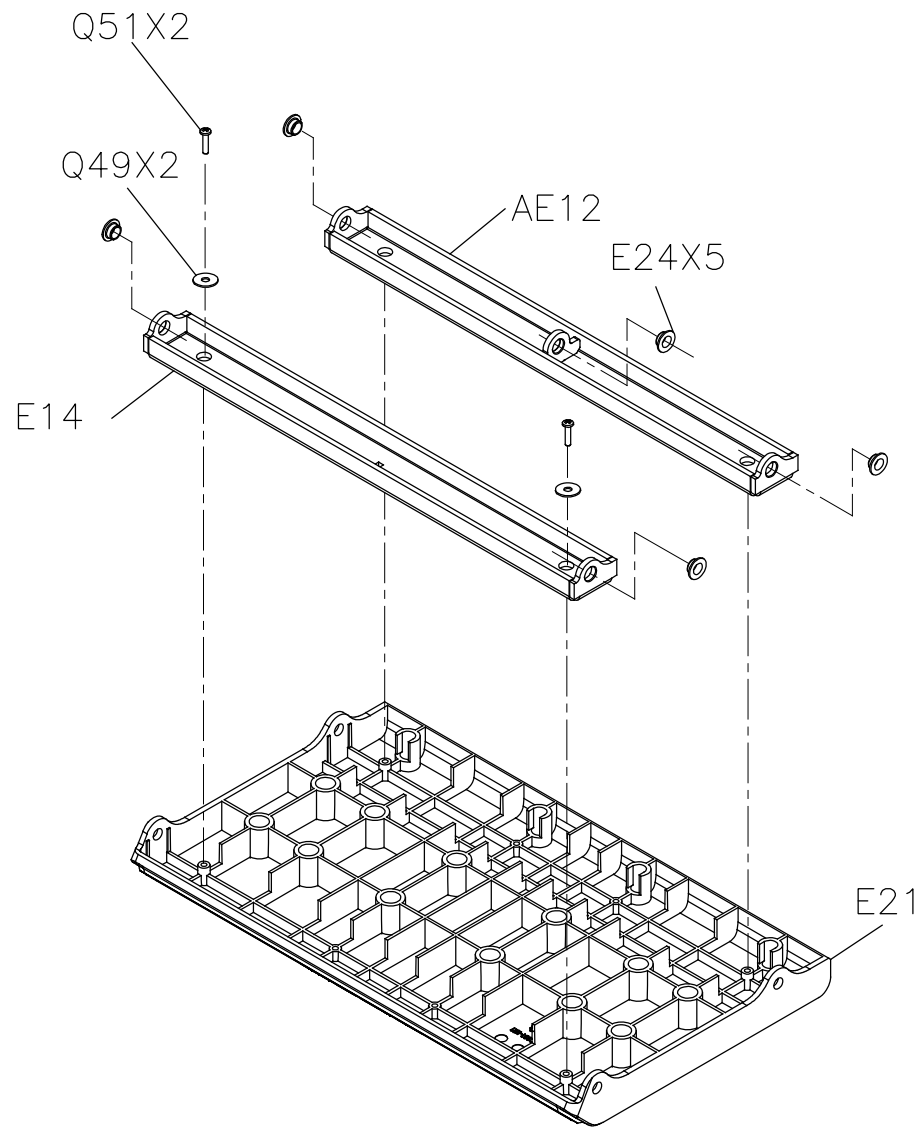
DRAWING NO	CS31-AR15		
PART NAME	SPROCKET SET;;BACK		
PART NO	1000404337	REV	C
APPROVE	CASTIEL	DATE	041819



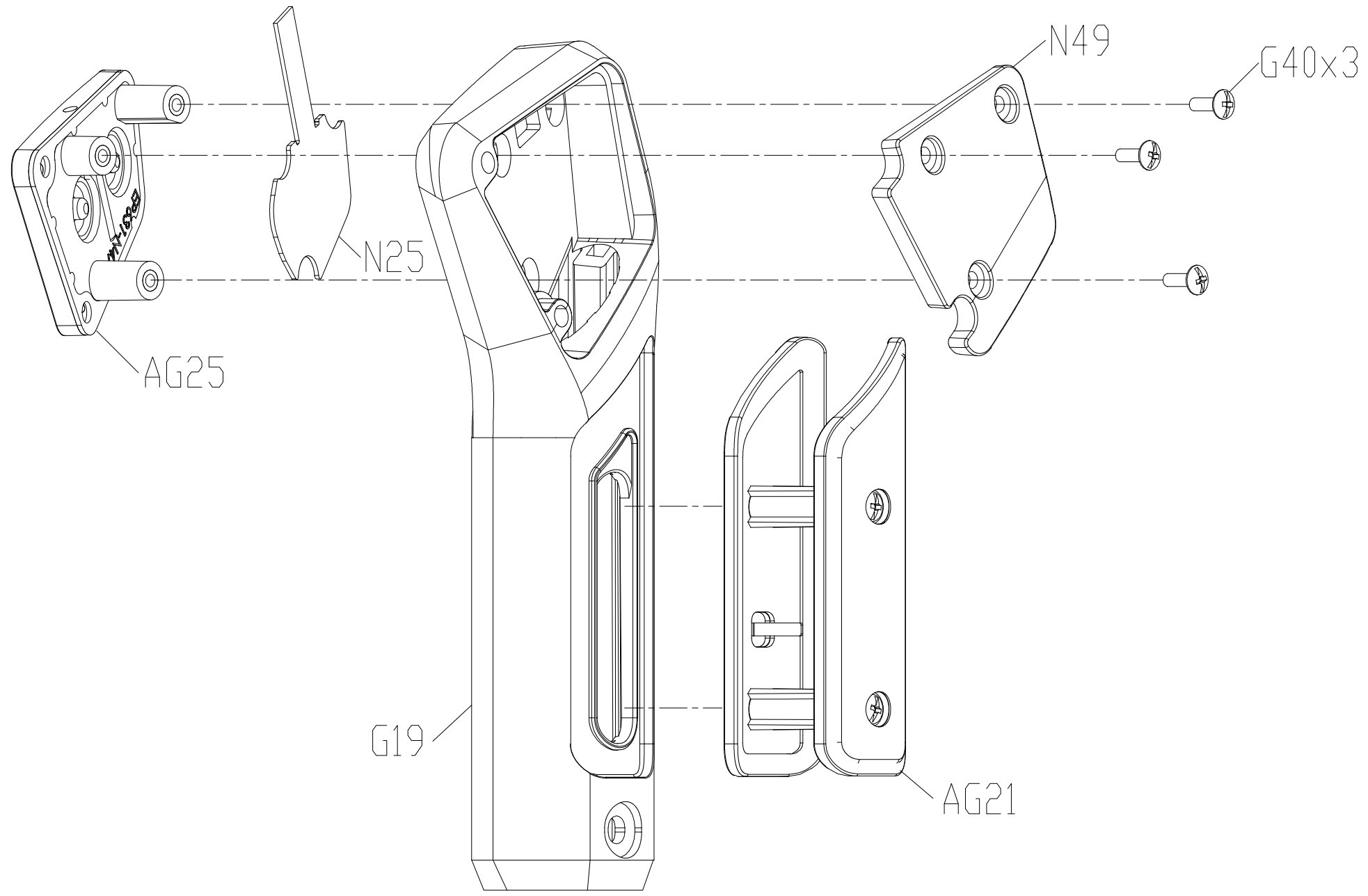
DRAWING NO	CS31-AR1		
PART NAME	Electromagnet flywheel group		
PART NO	1000404365		
APPROVE	Ming	DATE	082818



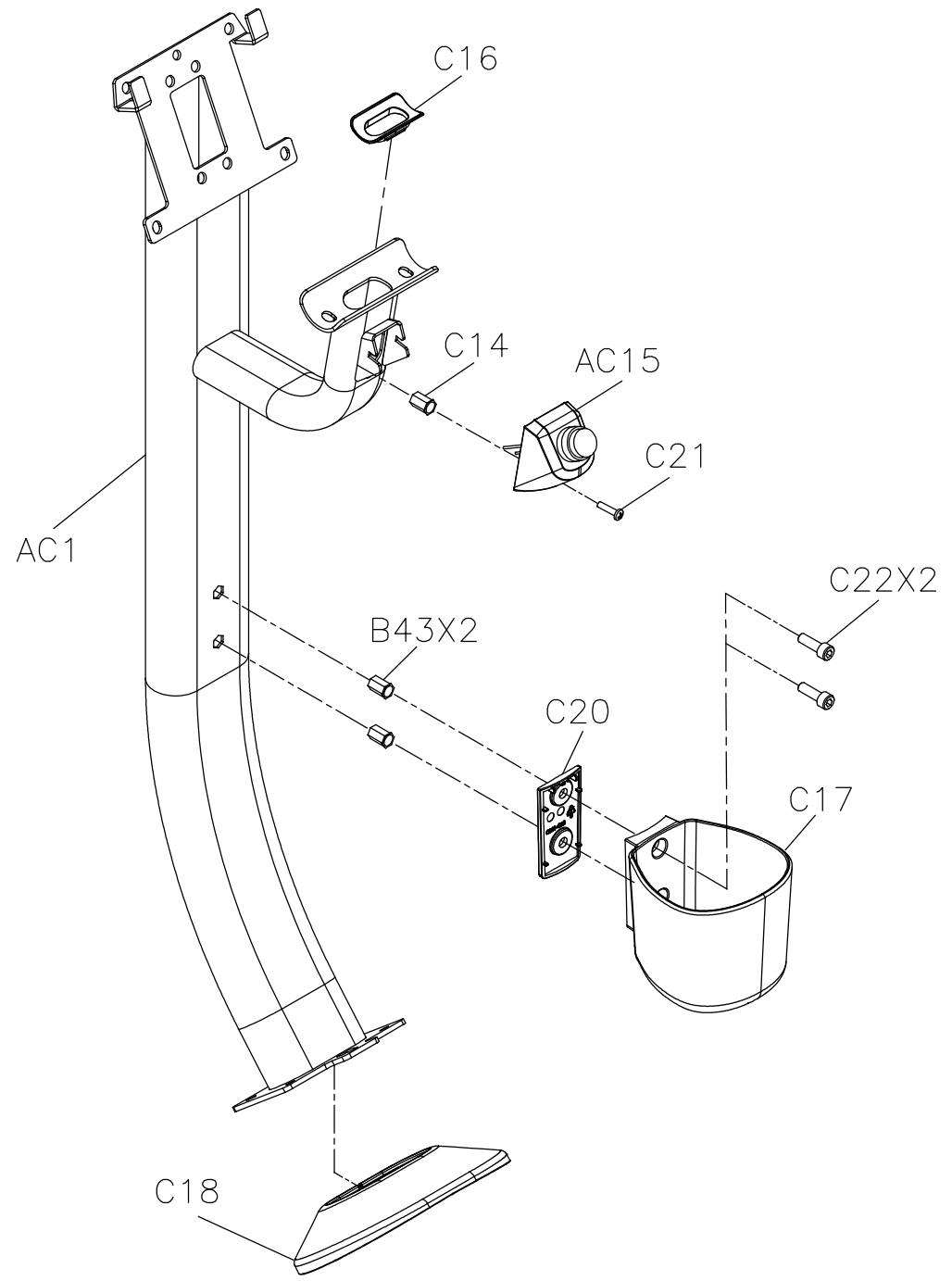
DRAWING NO	CS31-AE11		
PART NAME	PEDAL SET;;UP		
PART NO	1000412150 F		
APPROVE	CASTIEL	DATE	062519



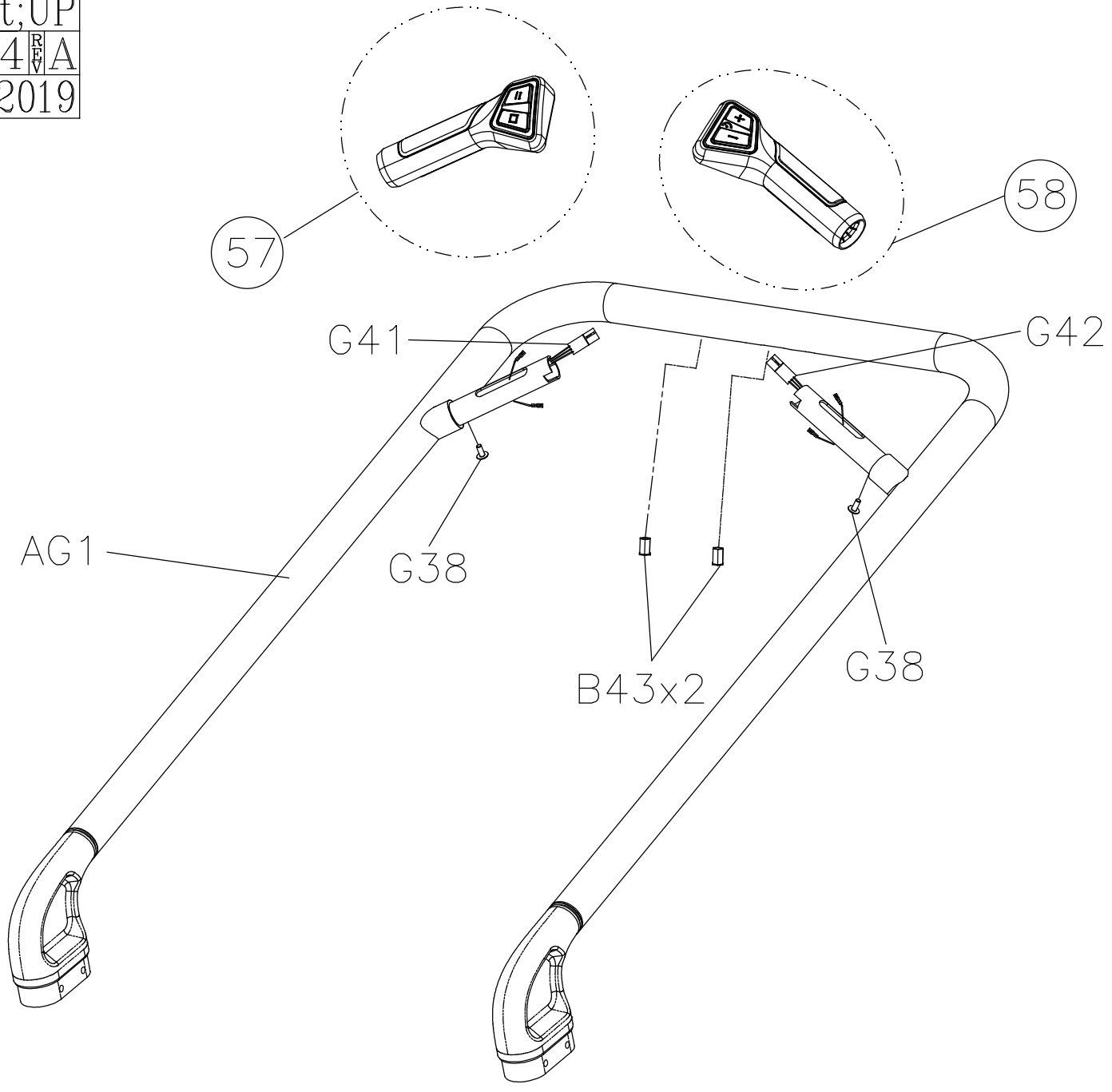
DRAWING NO	CS34-AG7		
PART NAME	Hand Pulse Set;Quickly Key;left		
PART NO	1000437106	REV	D
APPROVE	BROOK	DATE	20200302



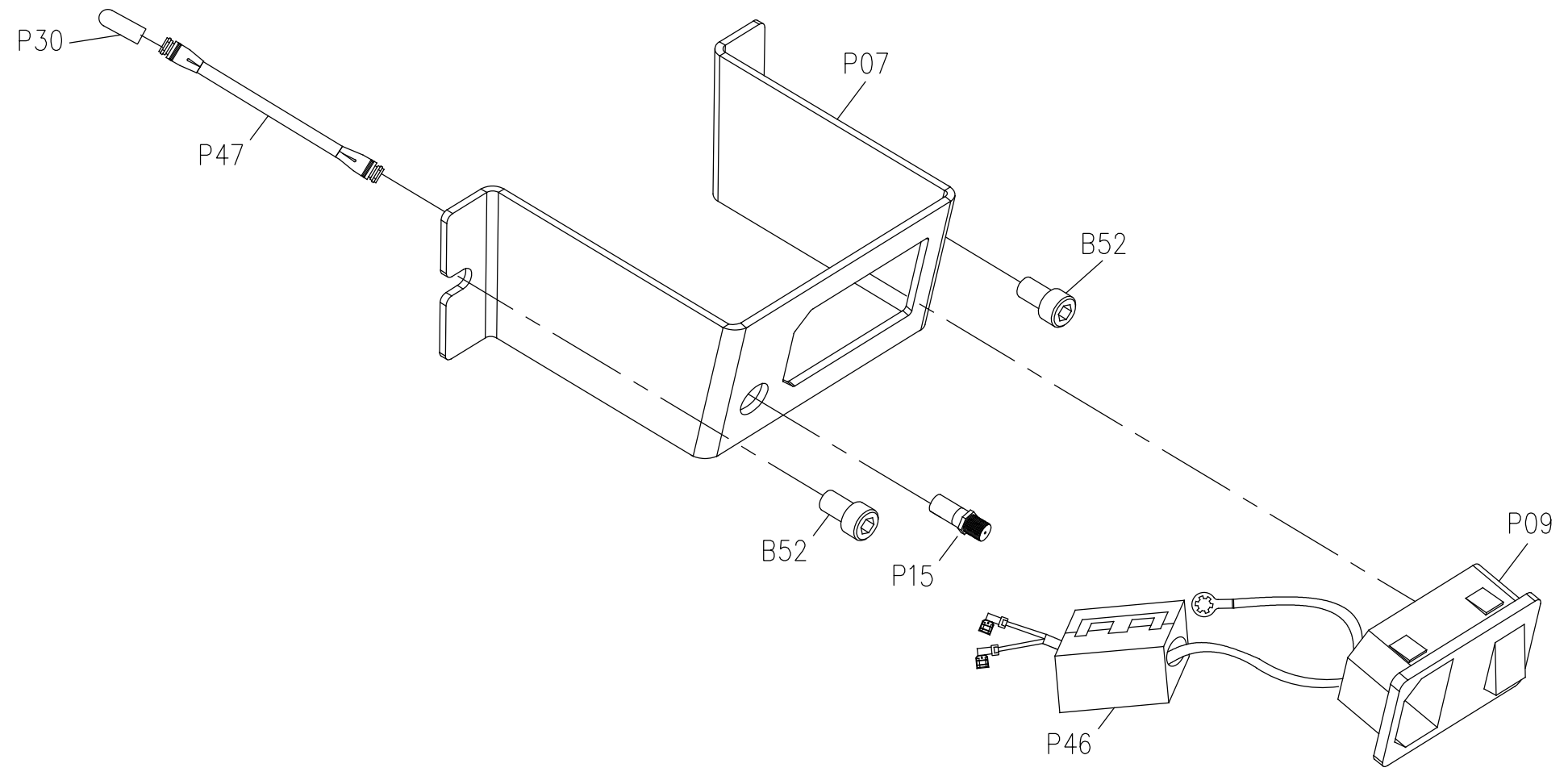
DRAWING NO	CS36-AC11		
PART NAME	CONSOLE MAST SET		
PART NO	1000442086	REV	A
APPROVE	CASTIEL	DATE	082019



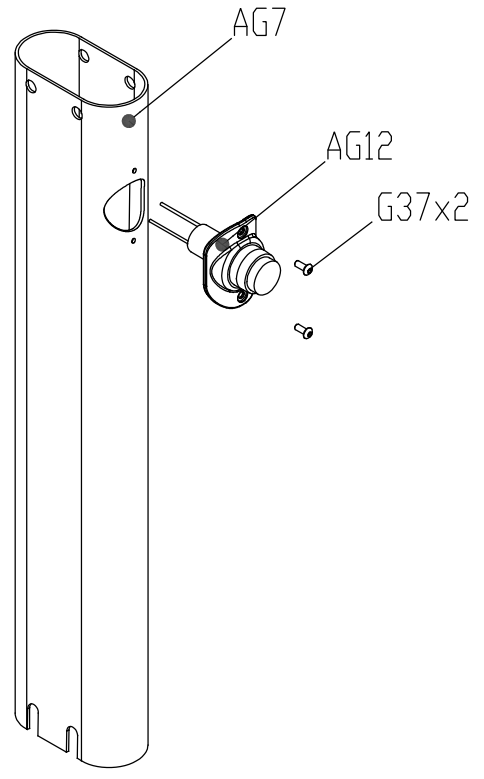
DRAWING NO	CS36-AG11		
PART NAME	Arm Rest set;UP		
PART NO	1000442094	REV	A
APPROVE	CASTIEL	DATE	062019



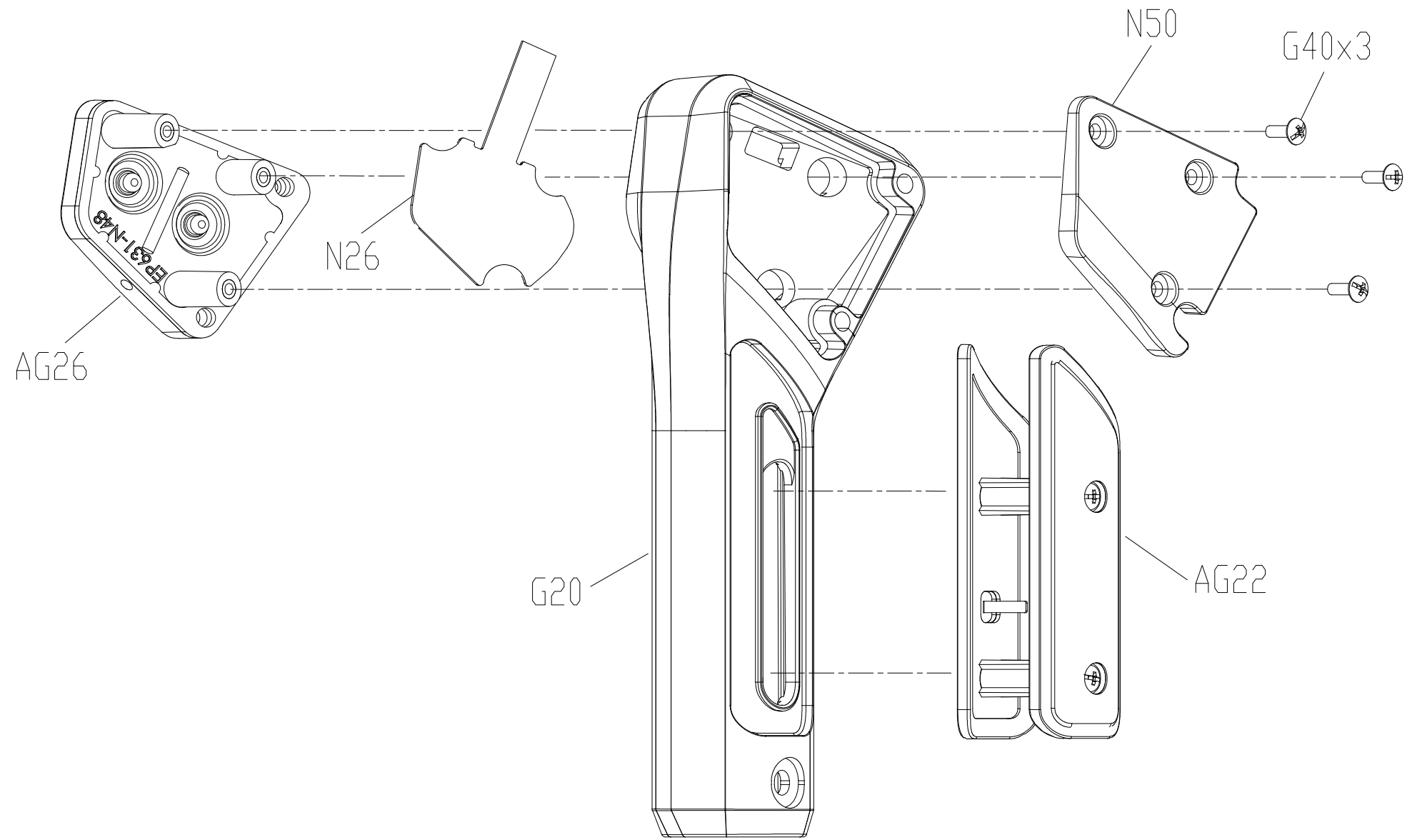
DRAWING NO	CS36-AP15		
PART NAME	FIXED_CHIPSET;E-PORT		
PART NO	1000442141	REV	A
APPROVE	CASTIEL	DATE	100419



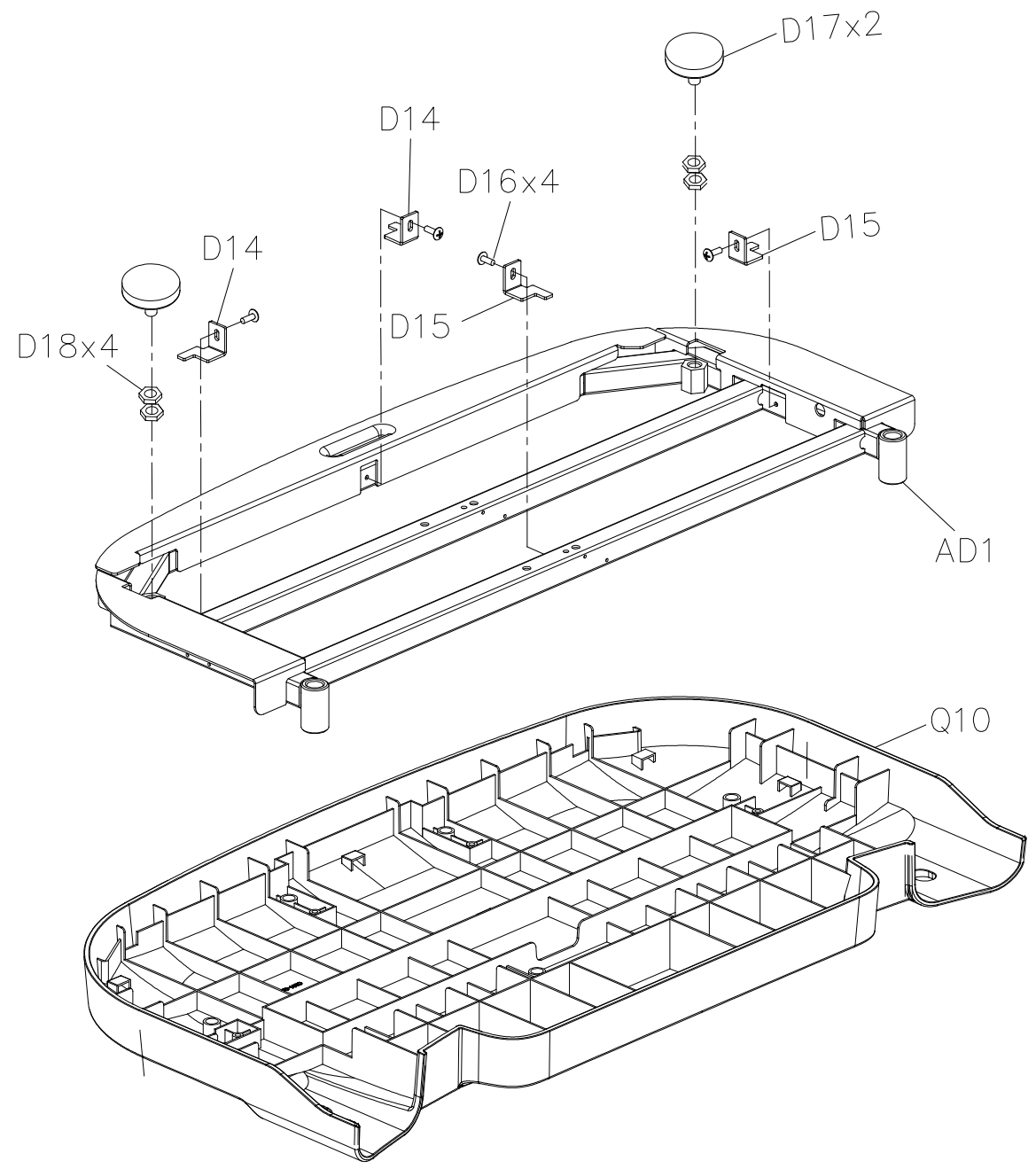
DRAWING NO	CS36-AG8		
PART NAME	LINK TUBE SET;HANDLEBAR;RIGHT		
PART NO	1000442163	REV	A
APPROVE	CASTIEL	DATE	20190620



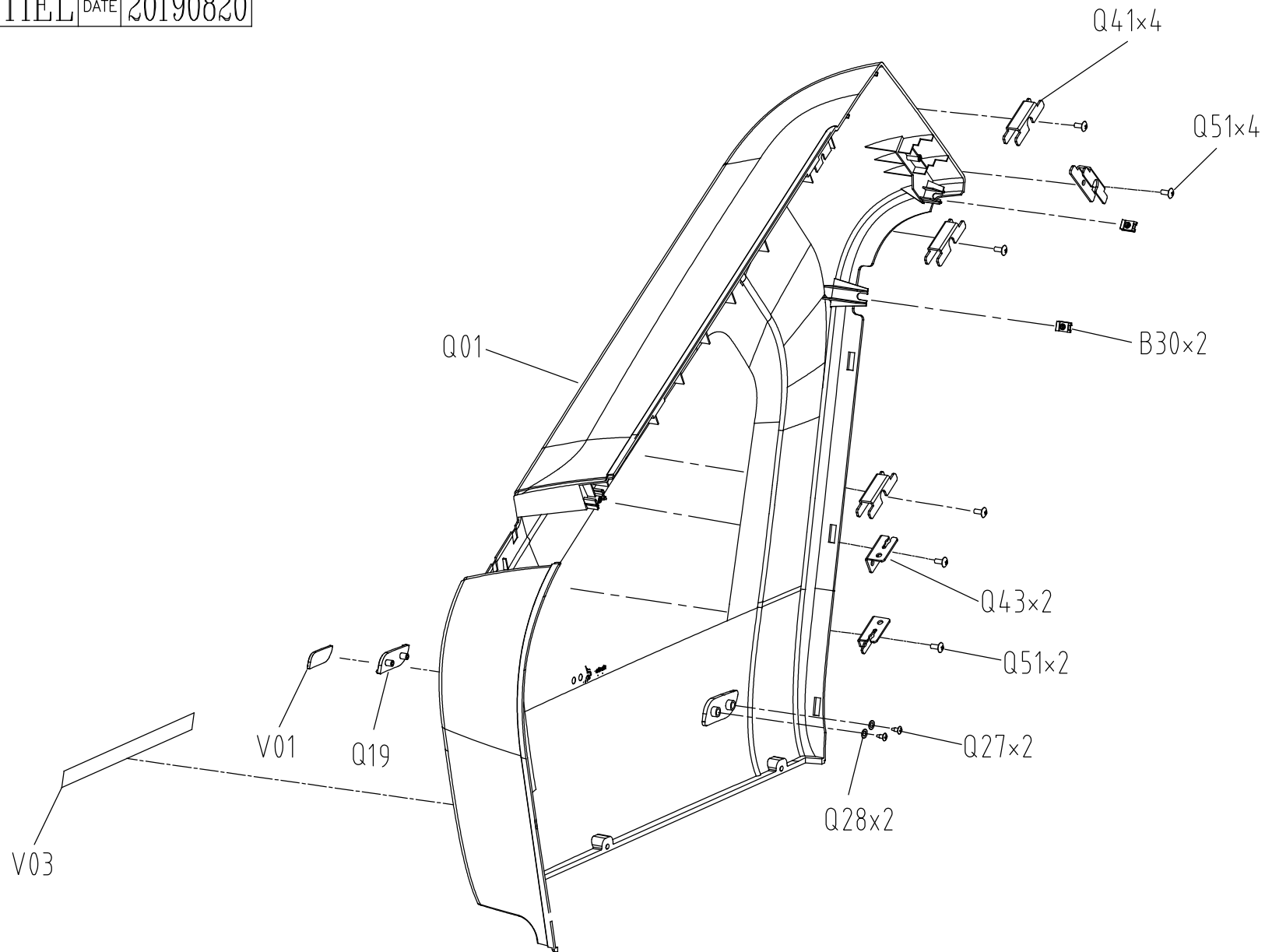
DRAWING NO	CS34-AG8		
PART NAME	Hand Pulse Set;Quickly Key,right		
PART NO	1000443649	REV	C
APPROVE	BROOK	DATE	20200302



DRAWING NO	CS36-AD11		
PART NAME	Frame set;back		
PART NO	1000444135	REV	B
APPROVE	Castiel	DATE	20200225



DRAWING NO	CS36-AQ1		
PART NAME	shield set;left		
PART NO	1000444186	REV	A
APPROVE	CASTIEL	DATE	20190820



DRAWING NO	CS36-AQ2		
PART NAME	shield set;right		
PART NO	1000444189	REV	A
APPROVE	CASTIEL	DATE	20190820

