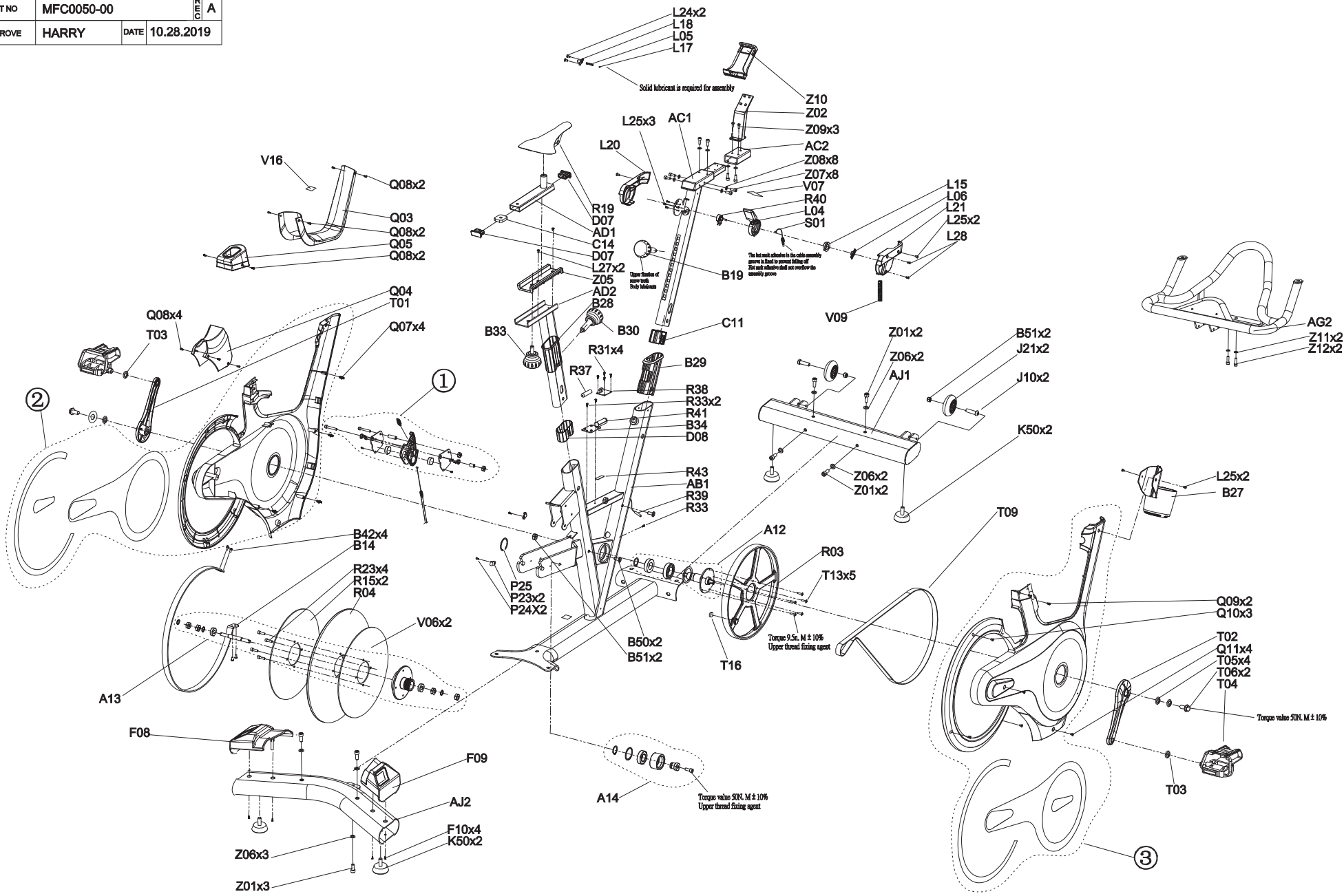
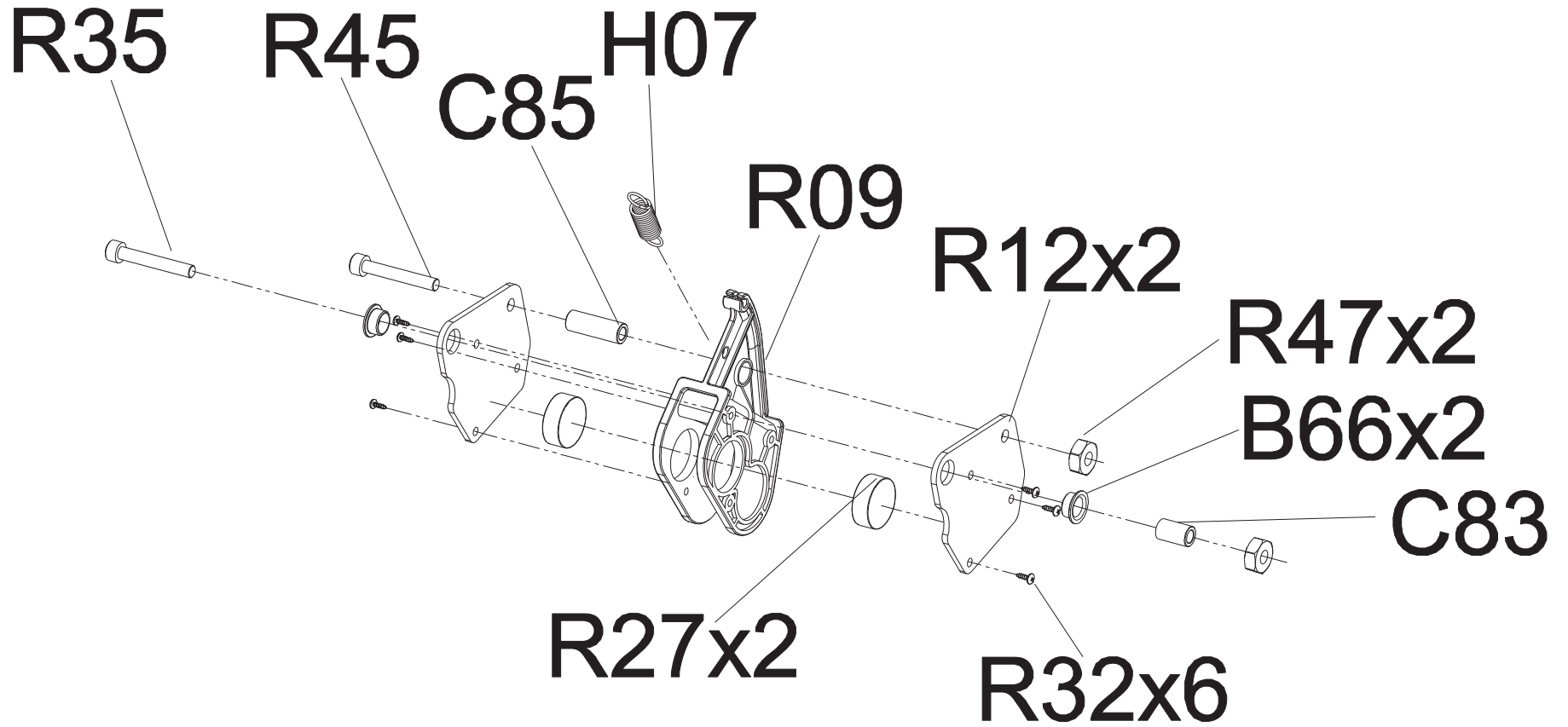


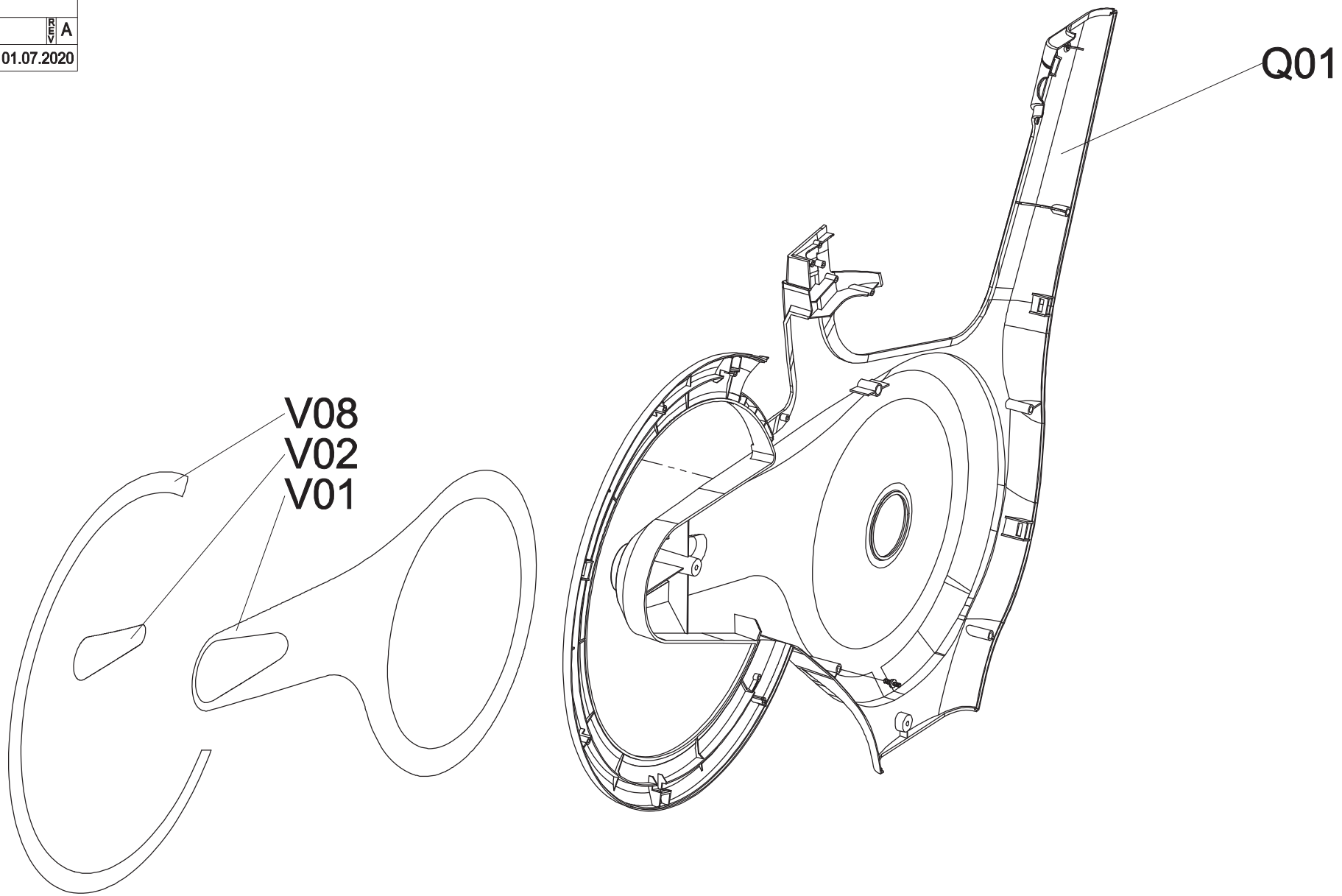
| | | | |
|------------|------------|------|------------|
| DRAWING NO | PFC205-US | | |
| PART NAME | ICR50 | | |
| PART NO | MFC0050-00 | REV | A |
| APPROVE | HARRY | DATE | 10.28.2019 |



| | | | |
|------------|----------------------|------|------------|
| DRAWING NO | FC203-A15 | | |
| PART NAME | ECB Magnetic control | | |
| PART NO | 1000427634 | REV | A |
| APPROVE | WANGTAO | DATE | 2019.12.10 |



| | | | |
|------------|---------------|------|------------|
| DRAWING NO | FC205-A16 | | |
| PART NAME | Cover Set : L | | |
| PART NO | 1000446716 | | REV A |
| APPROVE | HARRY | DATE | 01.07.2020 |



| | | | |
|------------|---------------|------|------------|
| DRAWING NO | FC205-A17 | | |
| PART NAME | Cover Set : R | | |
| PART NO | 1000446718 | | A |
| APPROVE | HARRY | DATE | 10.28.2019 |

