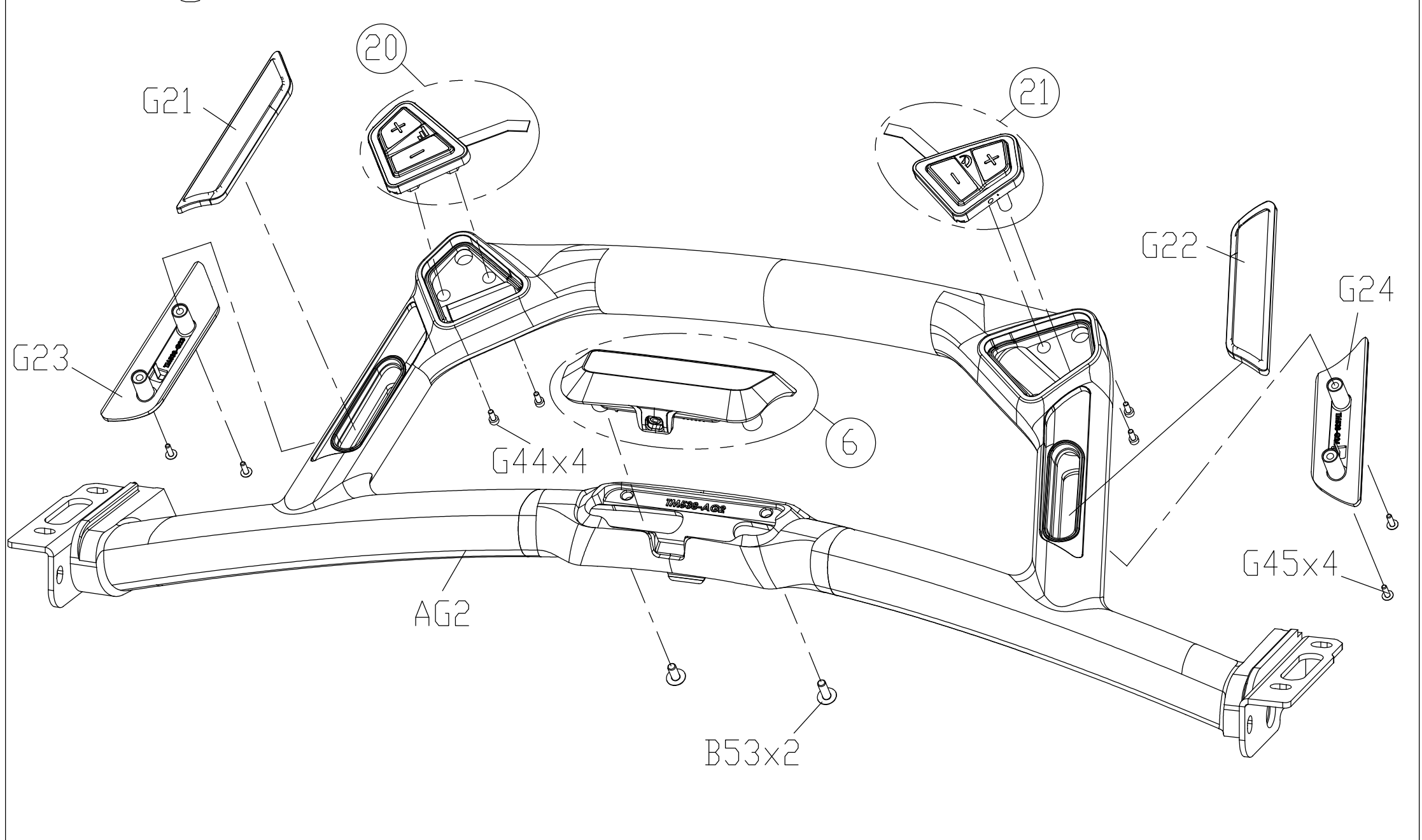
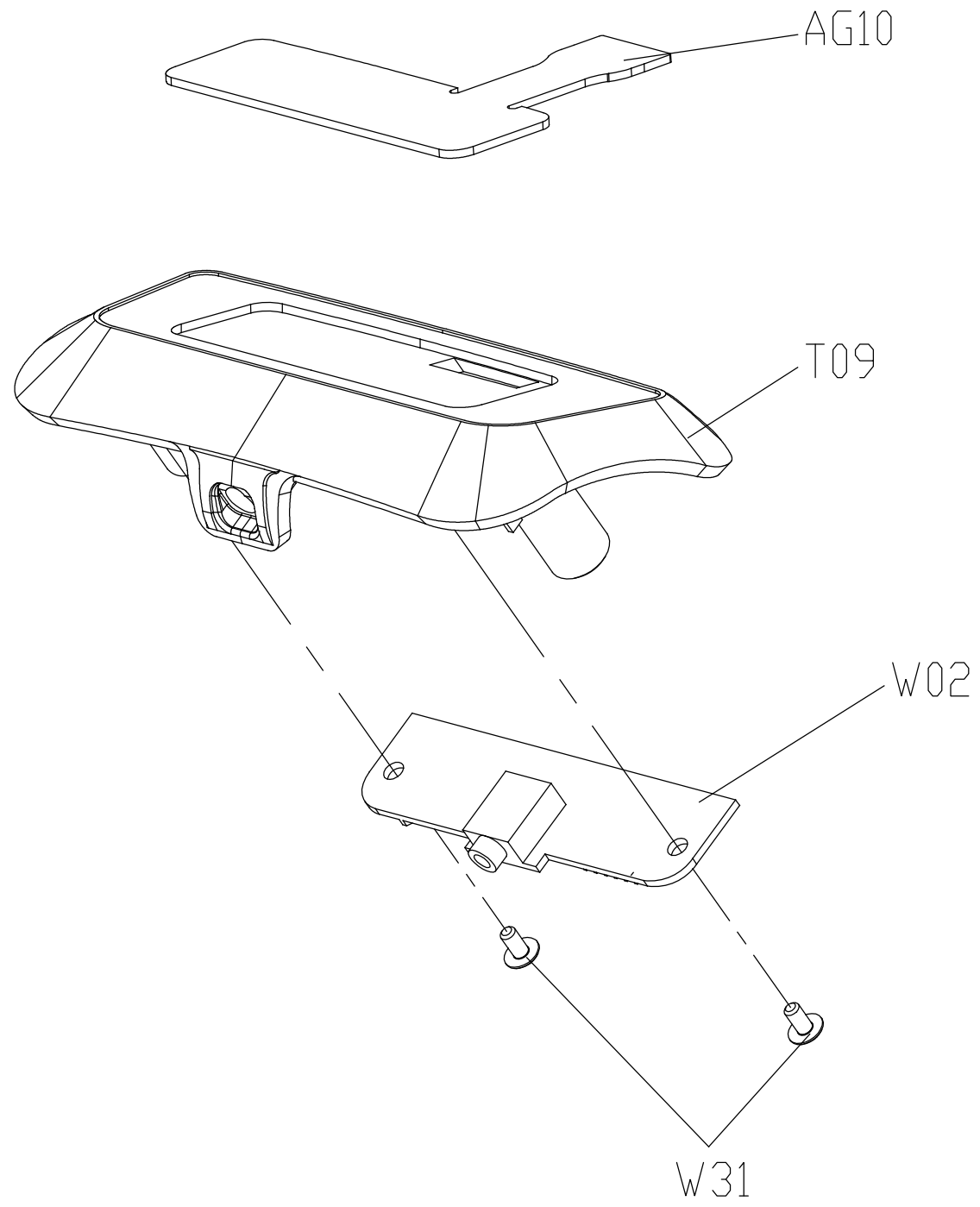


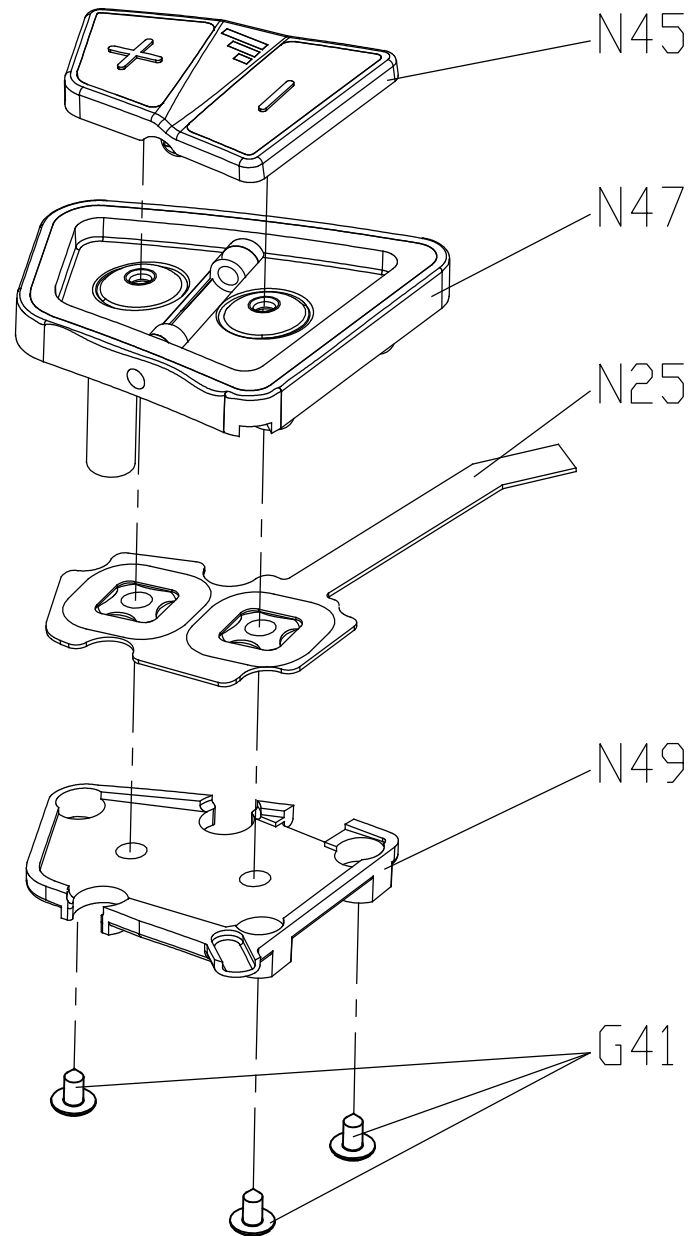
DRAWING NO	TM538-AG21		
PART NAME	Handlebar Set		
PART NO	1000433966	REV	C
APPROVE	Ming	DATE	082119




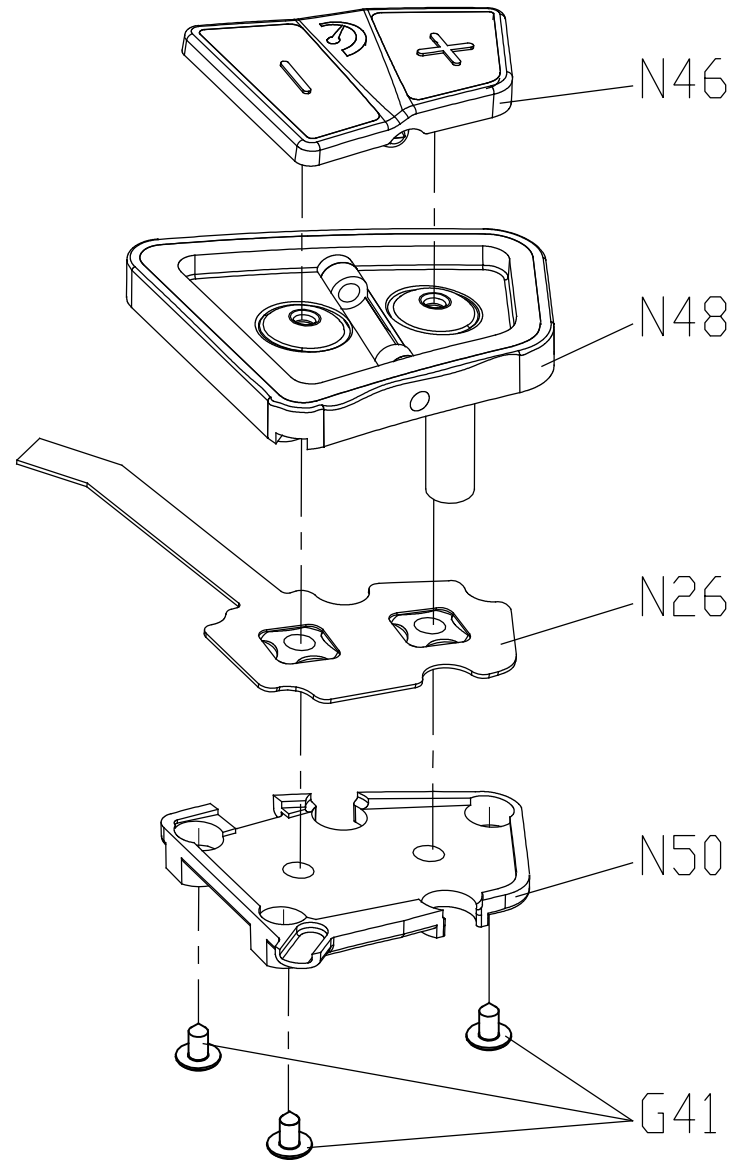
DRAWING NO	TM538-AG25		
PART NAME	Overlay Set;Start Quick;;English		
PART NO	1000443081	REV	B
APPROVE	ming	DATE	082119



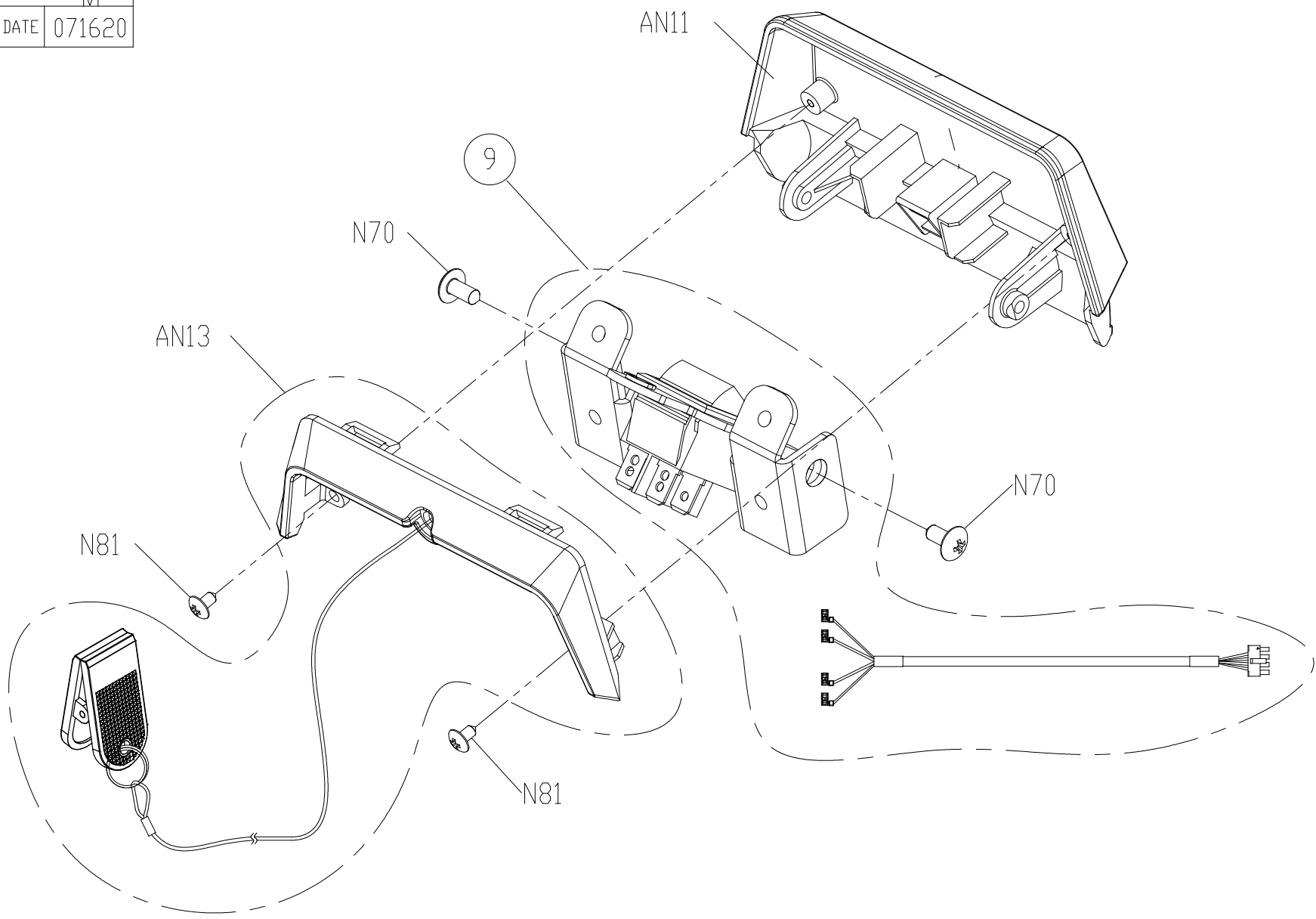
DRAWING NO	TM538-AG23		
PART NAME	Pulse Sensor Set;Quickly Key;left		
PART NO	1000437154	REV	B
APPROVE	Albert	DATE	062419



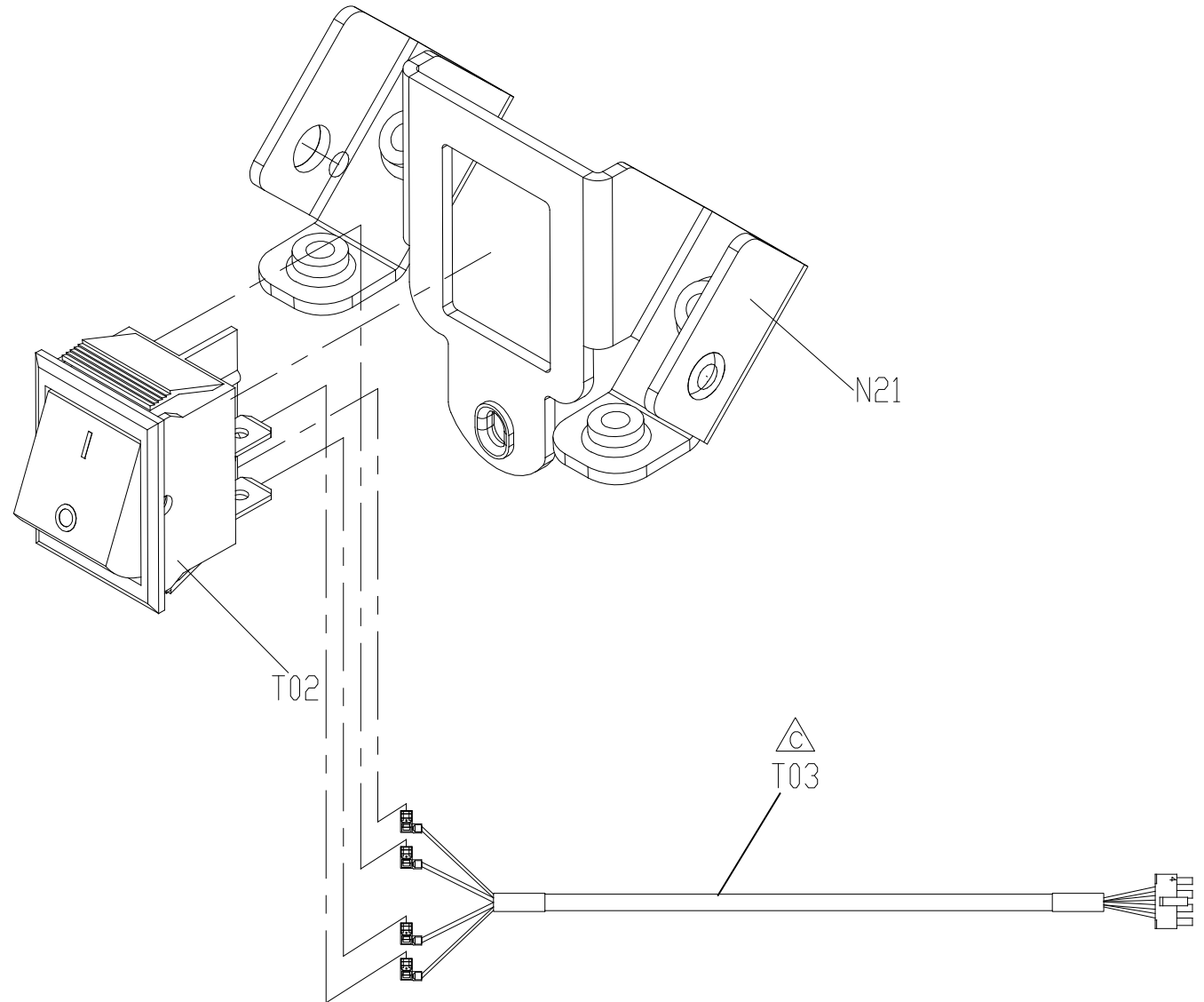
DRAWING NO	TM538-AG24		
PART NAME	Pulse Sensor Set;Quickly Key:right		
PART NO	1000437157  B		
APPROVE	Albert	DATE	062519

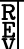


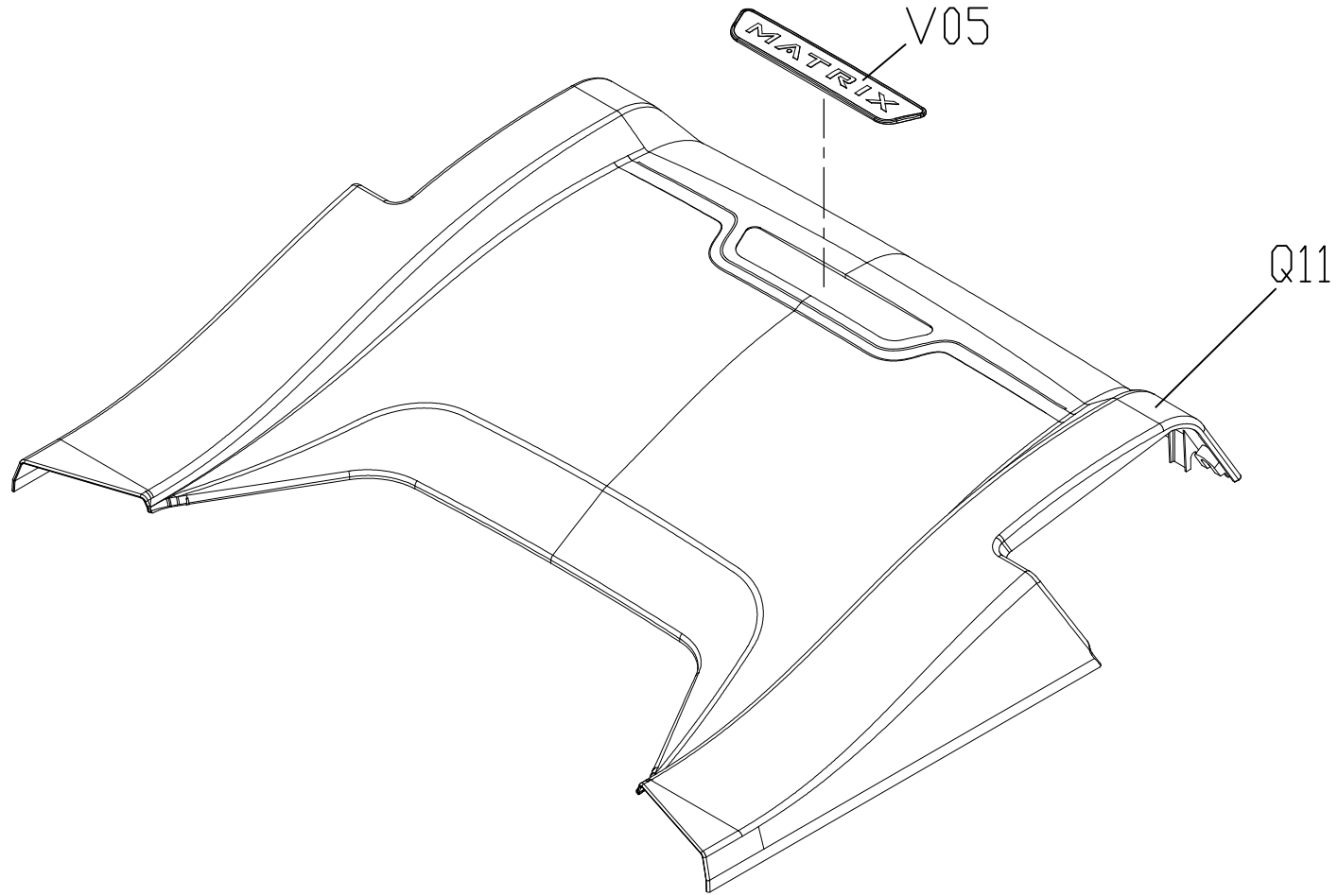
DRAWING NO	TM538-AN10		
PART NAME	SAFETY KEY SET;CONSOLE		
PART NO	1000454400	REV	C
APPROVE	ALLEN	DATE	071620



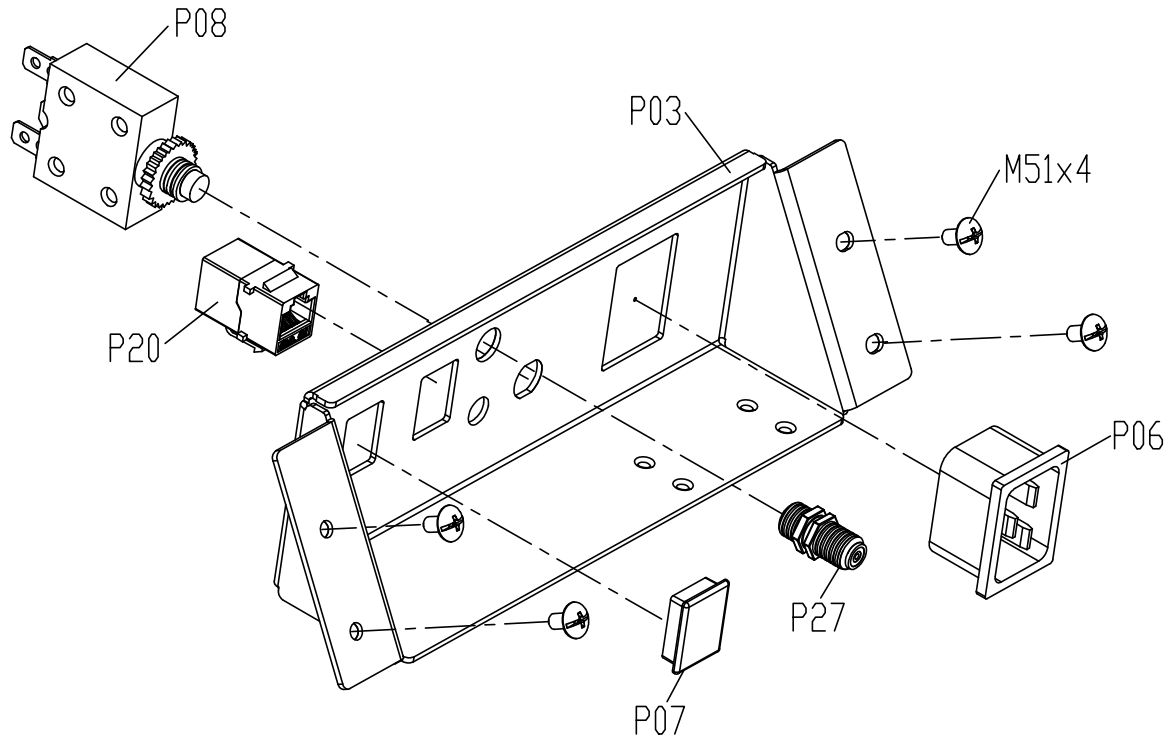
DRAWING NO	TM538-AN12		
PART NAME	SAFETY KEY COVER SET		
PART NO	1000454402	REV	C
APPROVE	ALLEN	DATE	071620



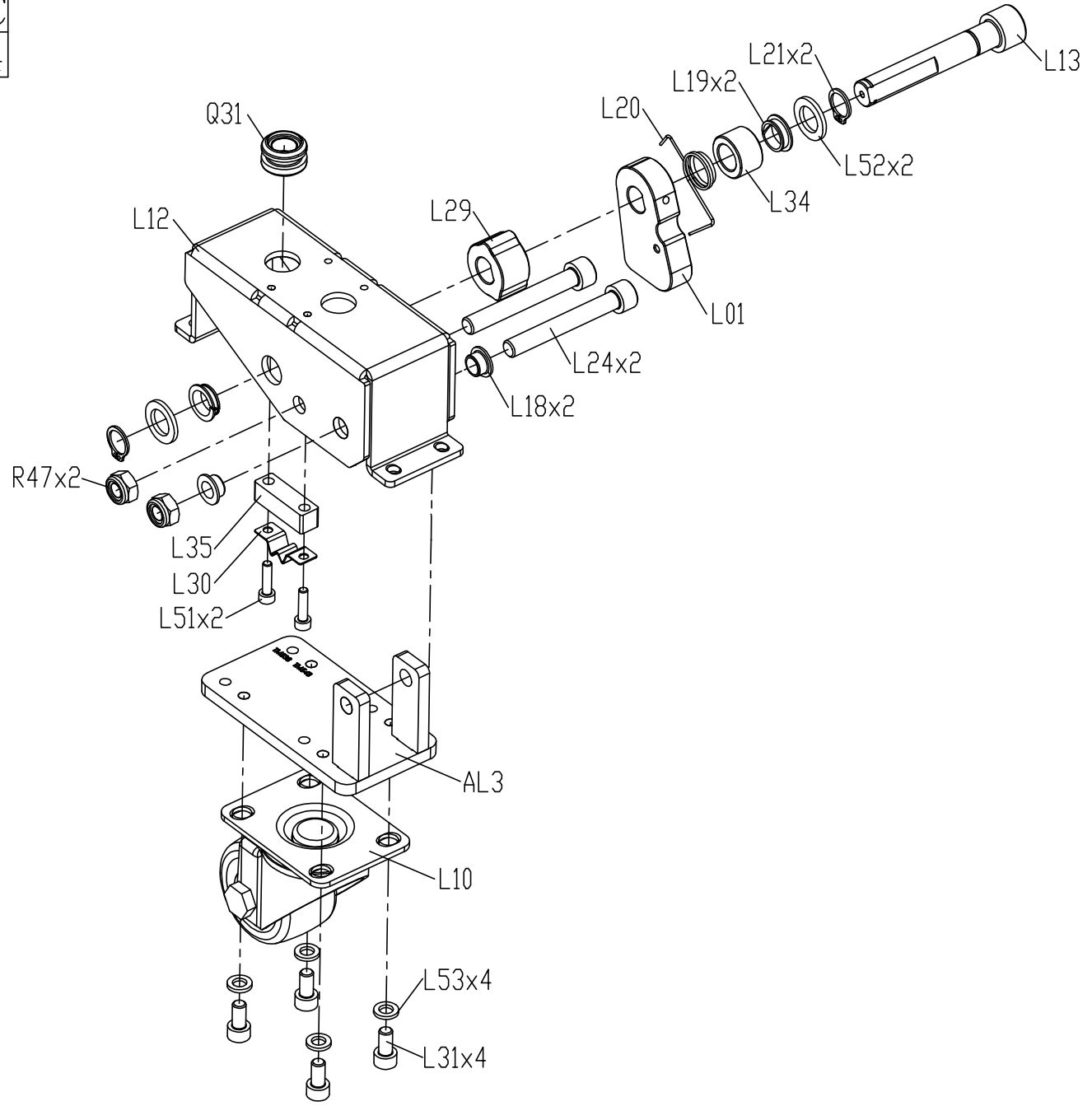
DRAWING NO	TM538-AQ10		
PART NAME	Motor Cover Set;;up		
PART NO	1000433957		B
APPROVE	MING	DATE	070119




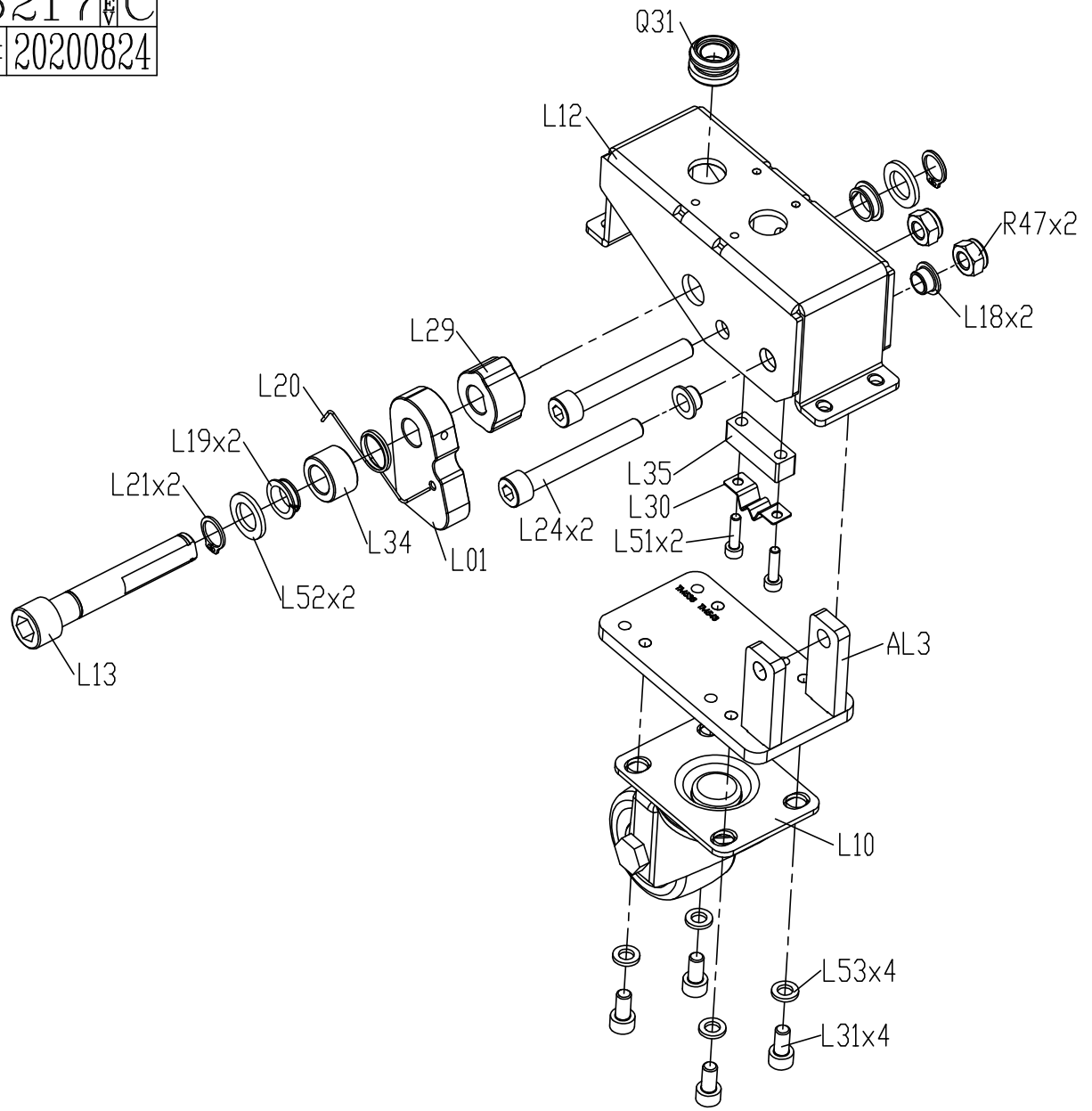
DRAWING NO	TM543-AP12		
PART NAME	POWER SET		
PART NO	1000435338 R/D		
APPROVE	SHUYI	DATE	20210125



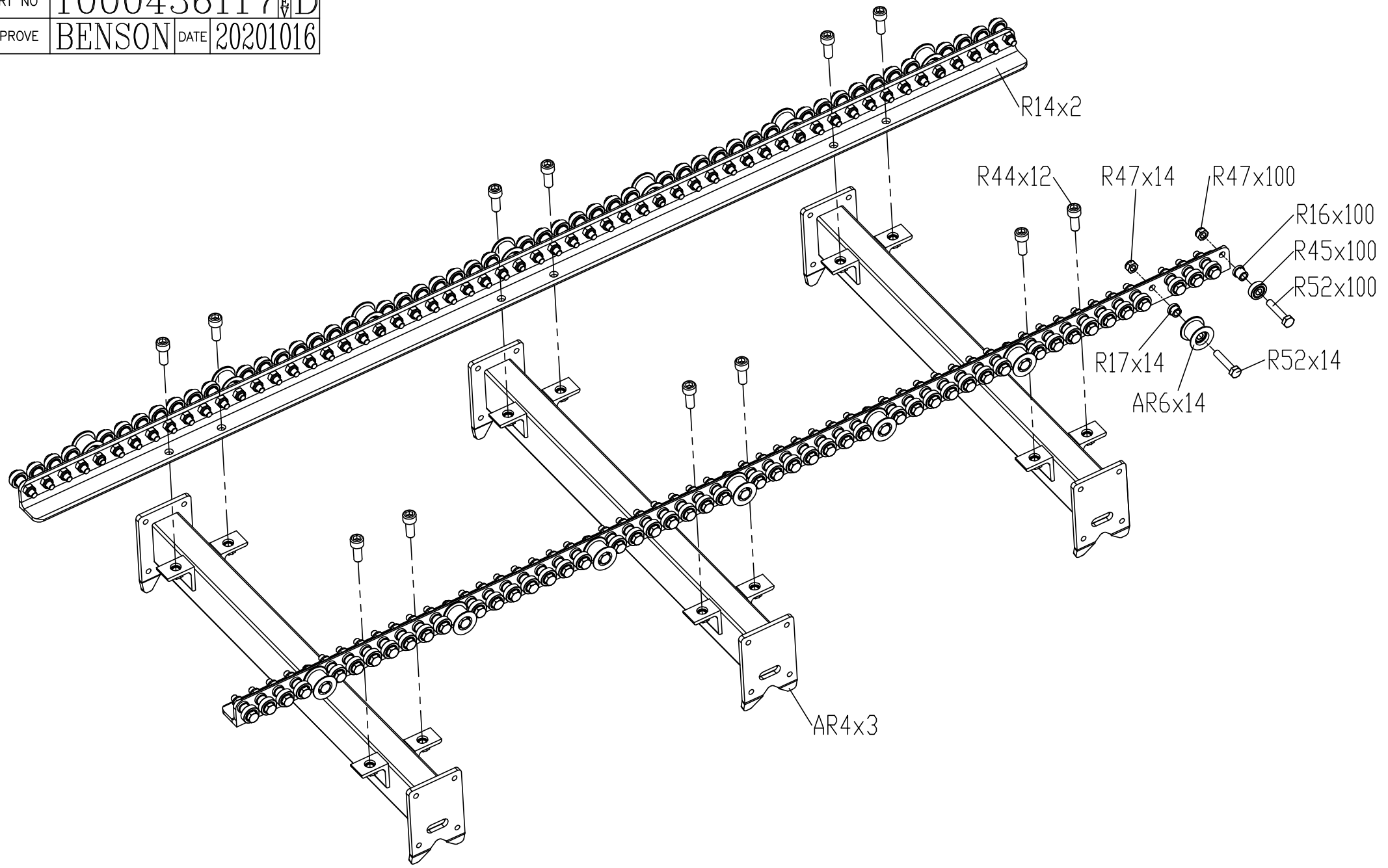
DRAWING NO	TM543-AL12		
PART NAME	MOVING WHEEL SET,RIGHT		
PART NO	1000436221 <small>REV</small> C		
APPROVE	BENSON	DATE	20200824



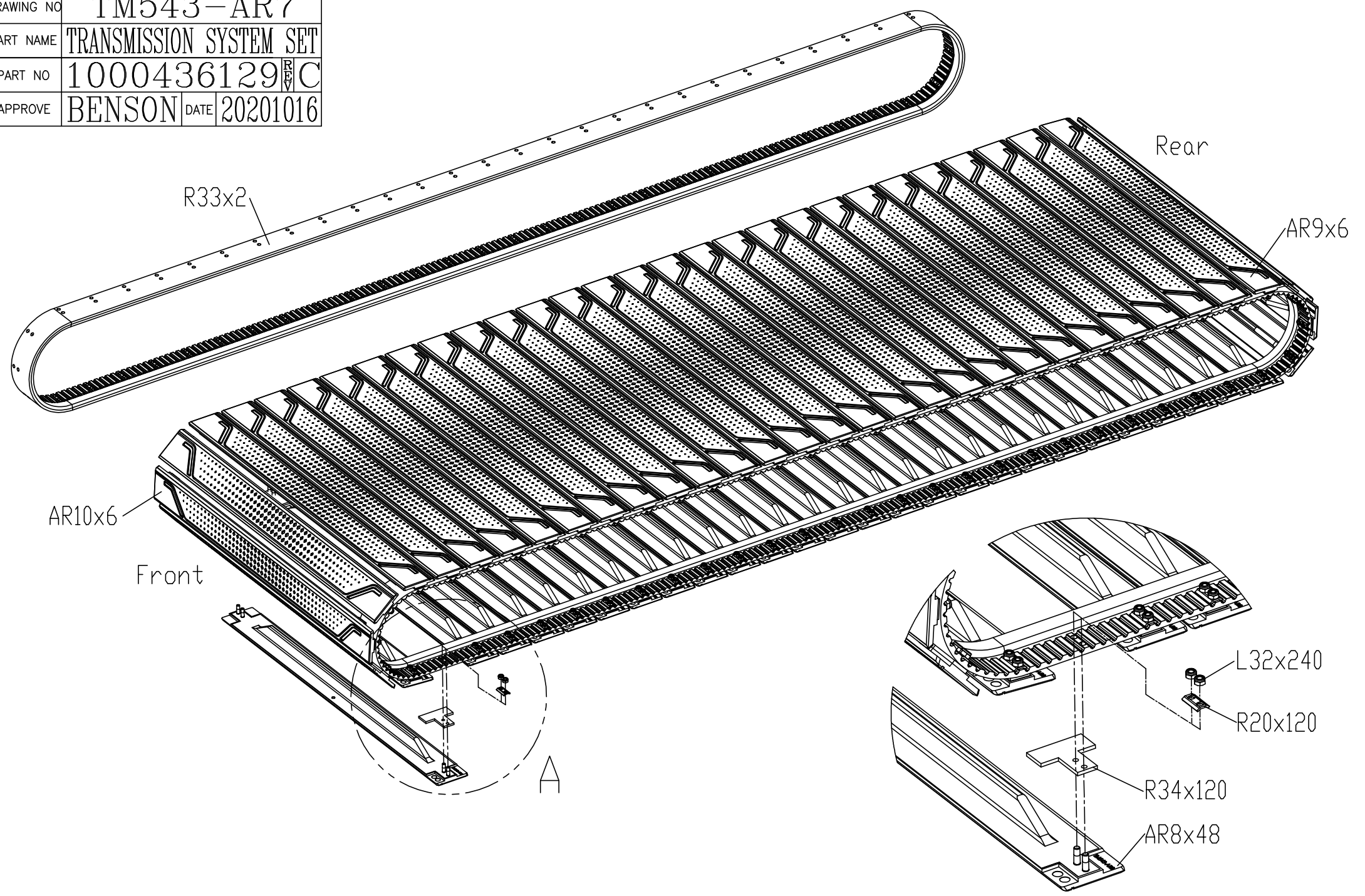
DRAWING NO	TM543-AL11		
PART NAME	MOVING WHEEL SET;LEFT		
PART NO	1000436217  C		
APPROVE	BENSON	DATE	20200824



DRAWING NO	TM543-AR3		
PART NAME	GUIDE TAPE AXLE SET		
PART NO	1000436117	REV	D
APPROVE	BENSON	DATE	20201016



DRAWING NO	TM543-AR7		
PART NAME	TRANSMISSION SYSTEM SET		
PART NO	1000436129	REV	C
APPROVE	BENSON	DATE	20201016



Drawing of Partial A