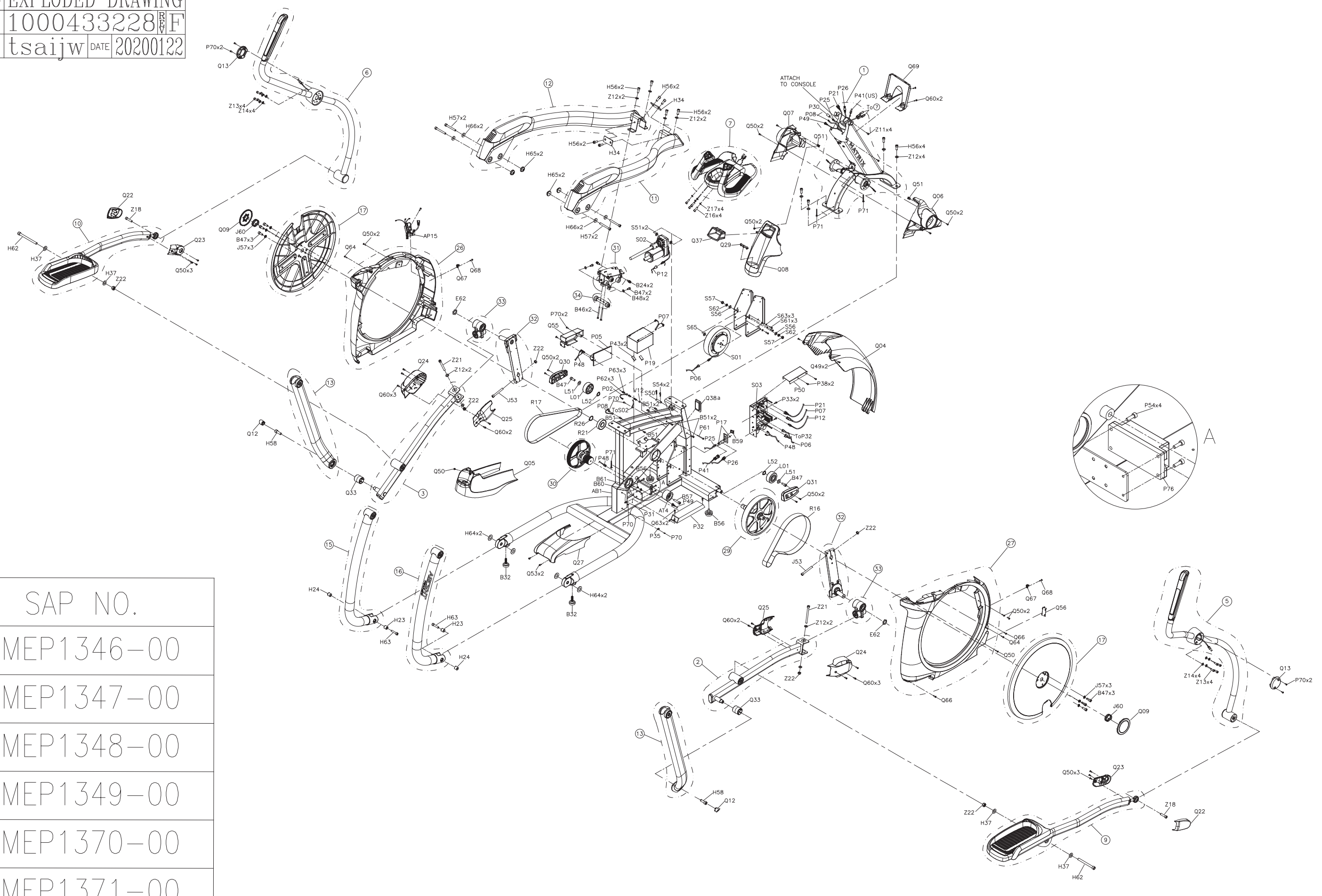
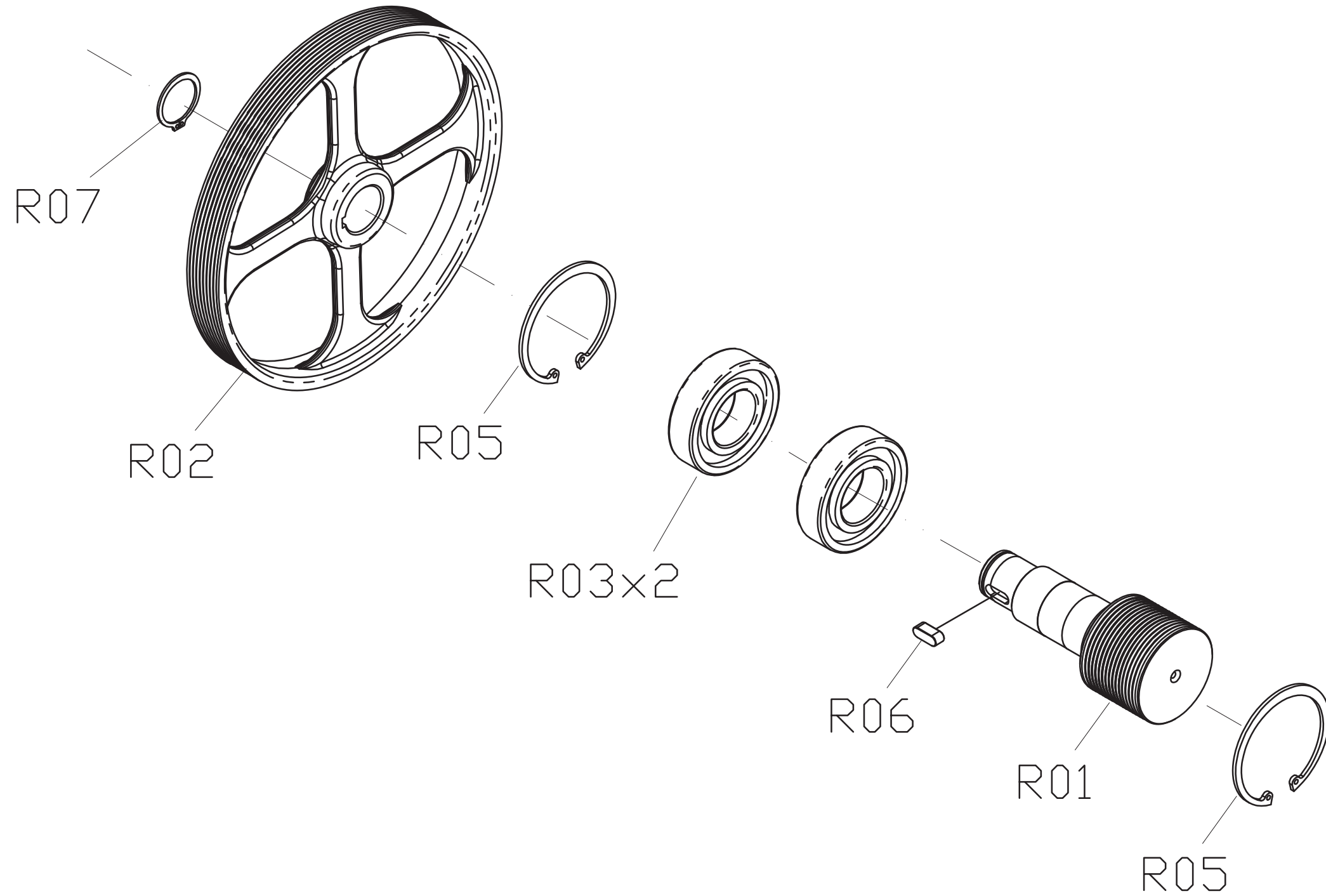


DRAWING NO	EP630-A04	
PART NAME	EXPLODED DRAWING	
PART NO	1000433228 R/F	
APPROVE	tsaijw	DATE 20200122

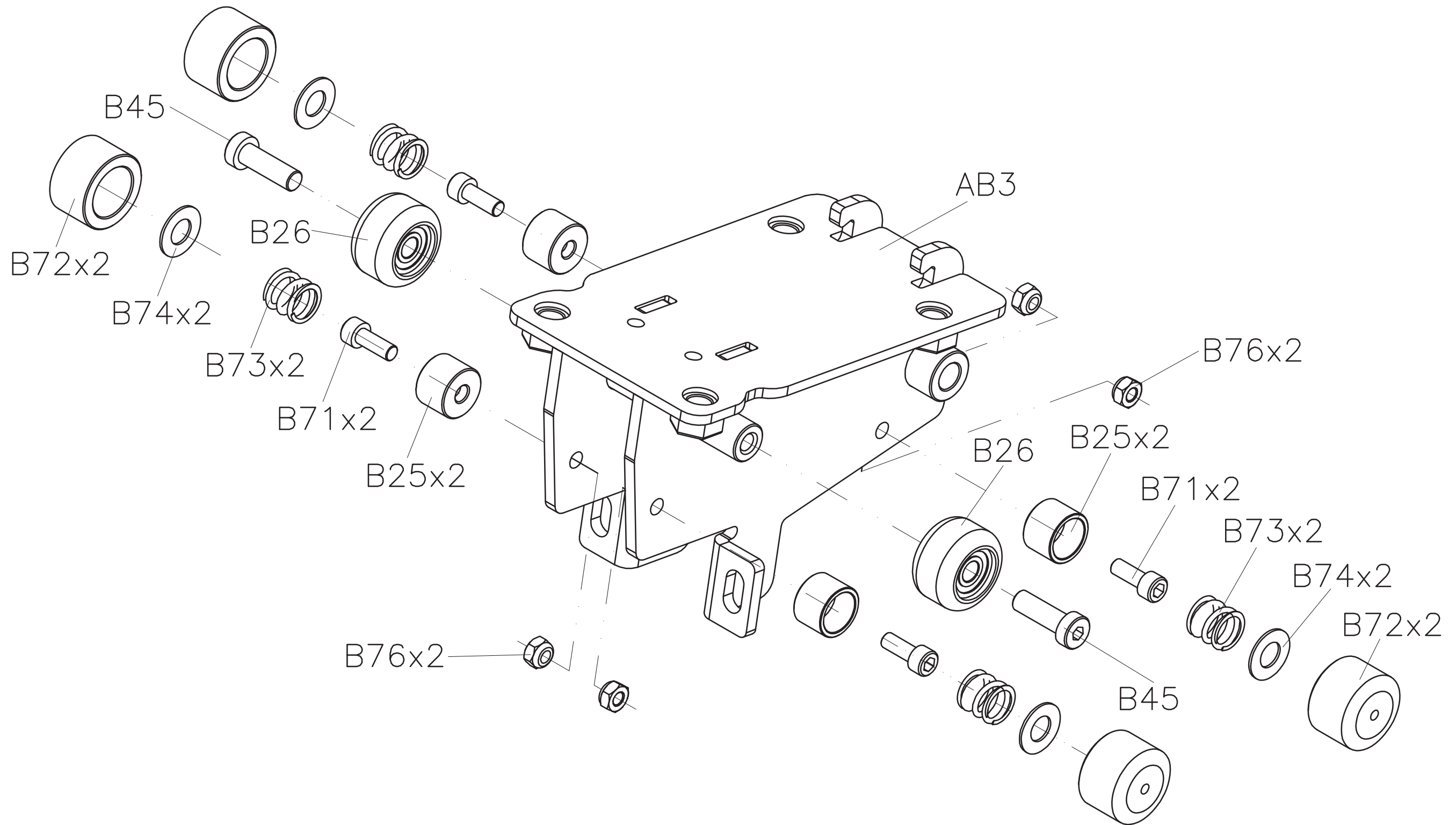


SAP NO.
MEP1346-00
MEP1347-00
MEP1348-00
MEP1349-00
MEP1370-00
MEP1371-00

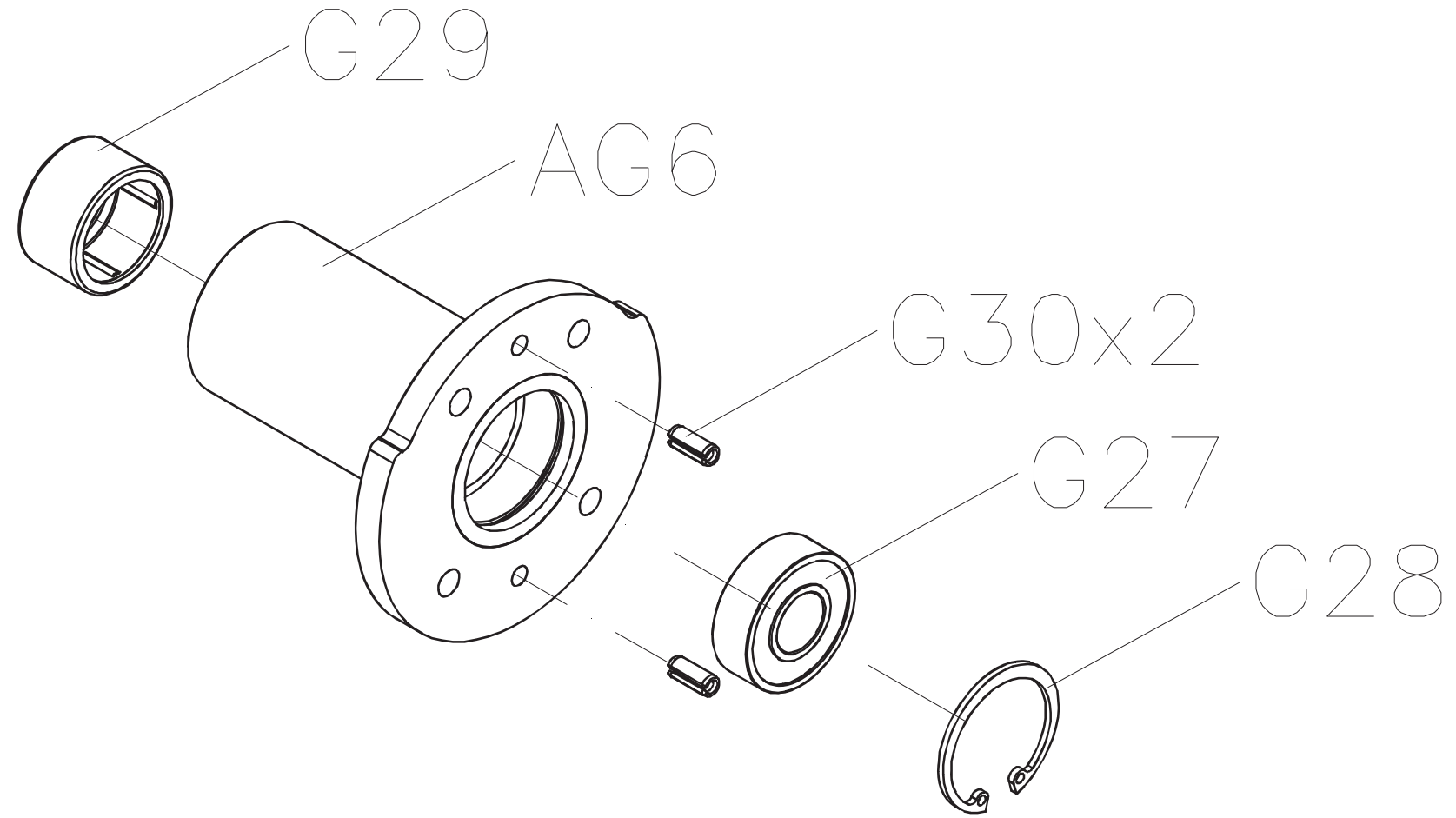
DRAWING NO	EP78-AR11		
PART NAME	PULLEY SET		
PART NO	0000089635 ^{REV} B		
APPROVE	tsaijw	DATE	112910



DRAWING NO	EP306-AB5		
PART NAME	MOTOR CARRIAGE SET		
PART NO	0000094930 ^{REV} B		
APPROVE	MAX	DATE	20110628

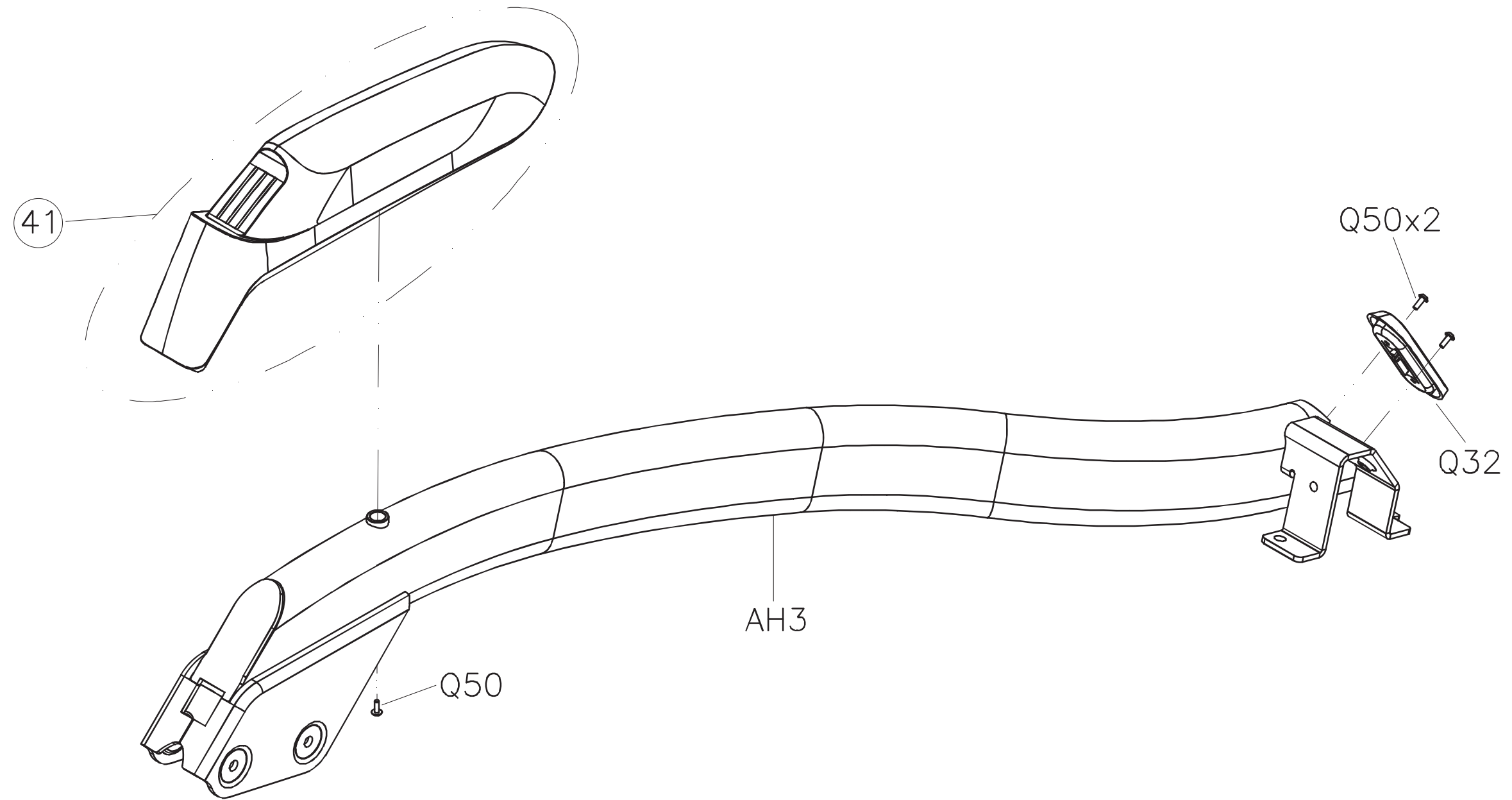


DRAWING NO	EP304-AG15		
PART NAME	ROTATION HOUSING ASSEMBLY SET		
PART NO	0000094951	REV	C
APPROVE	S.T.C	DATE	20140528

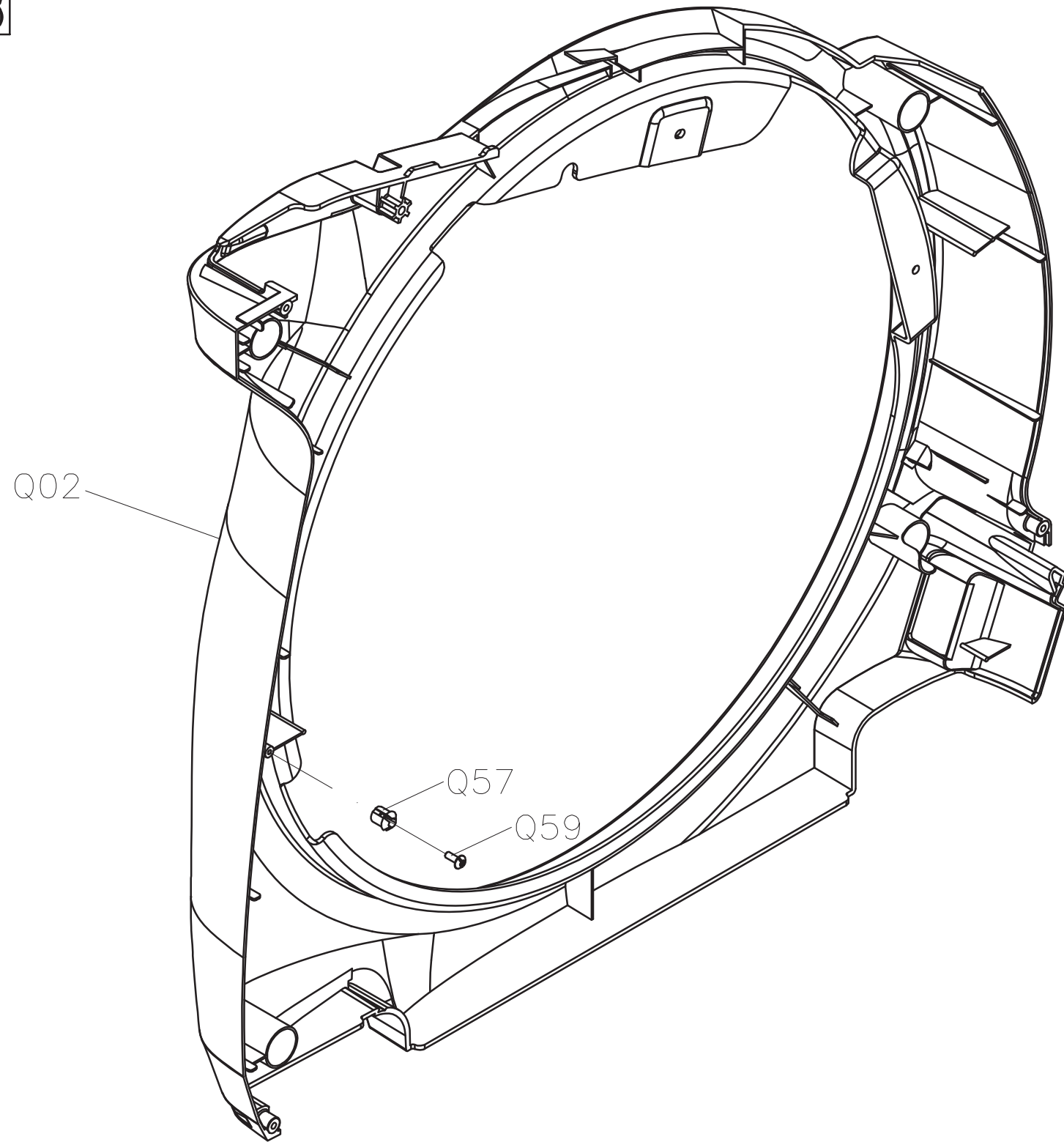


DRAWING NO	EP308-AH24		
PART NAME	LEFT CONNECTION ARM SET		
PART NO	See Attached  D		
APPROVE	Hiker	DATE	20150608

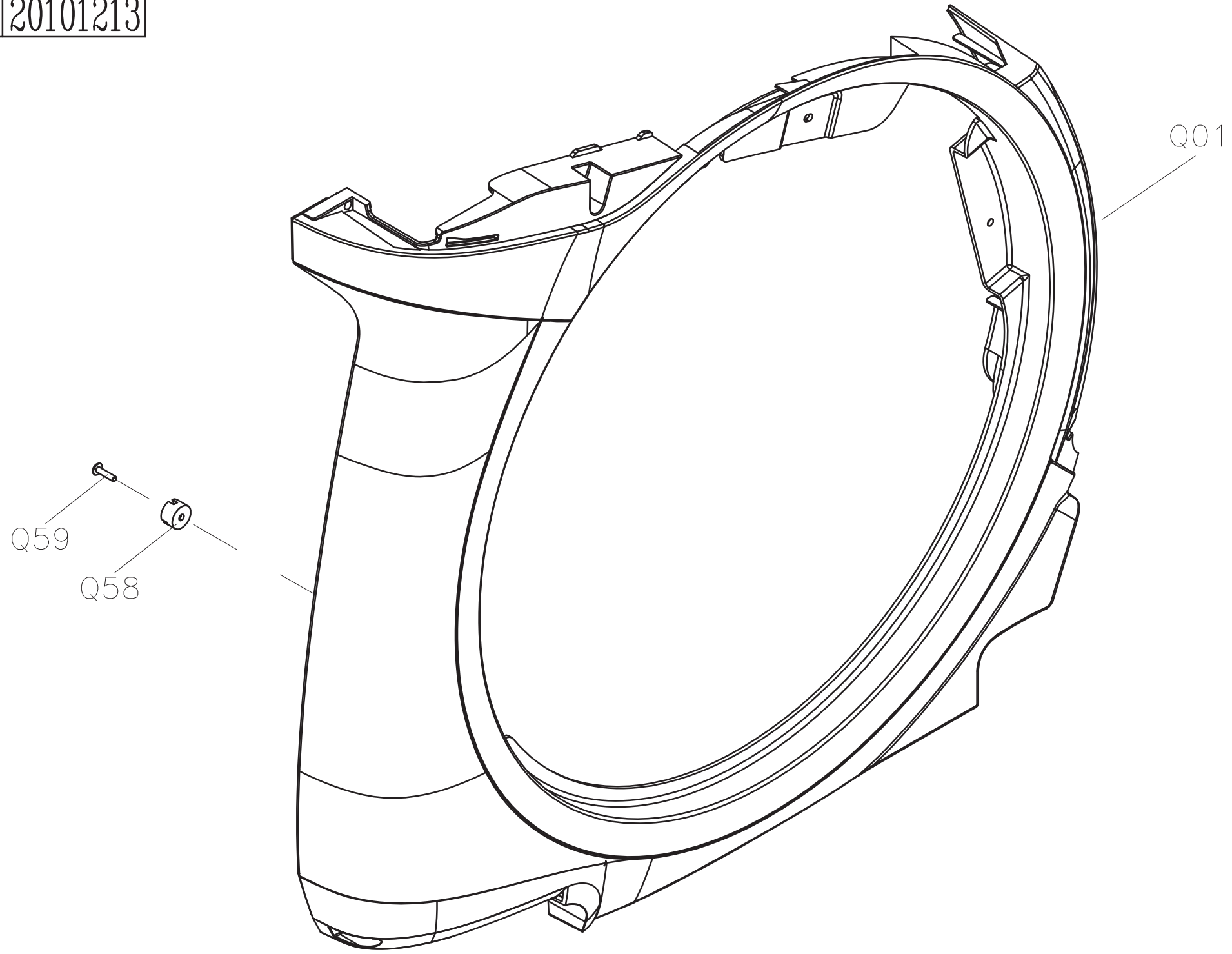
SAP No.	Description
0000095060	SLIVER
1000338616	BLACK MATTE
1000348929	BLACK MATTE(Fitness park)
1000349021	BLACK MATTE(Groupe moving)



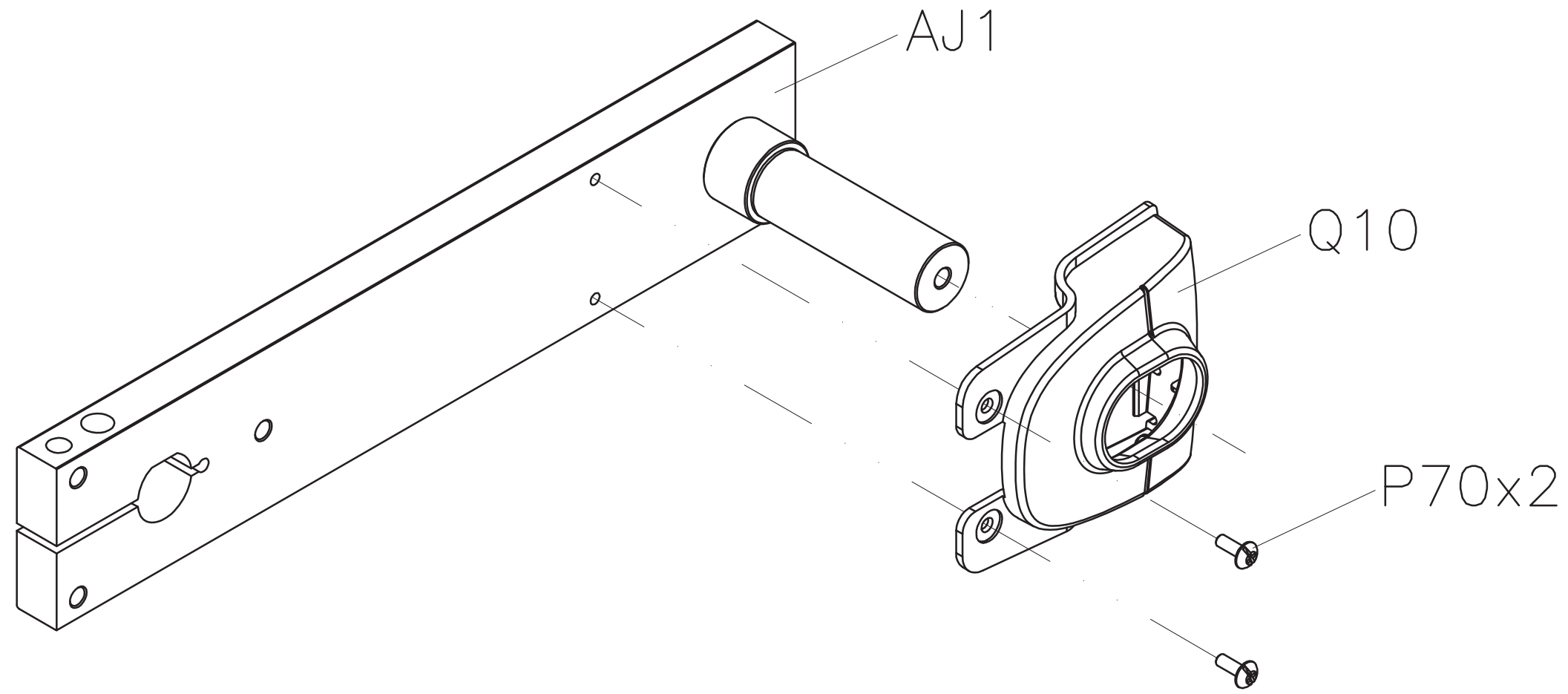
DRAWING NO	EP304-AQ11		
PART NAME	LEFT SIDE COVER SET		
PART NO	0000095068 ^{REV} A		
APPROVE	tsaijw	DATE	20101213



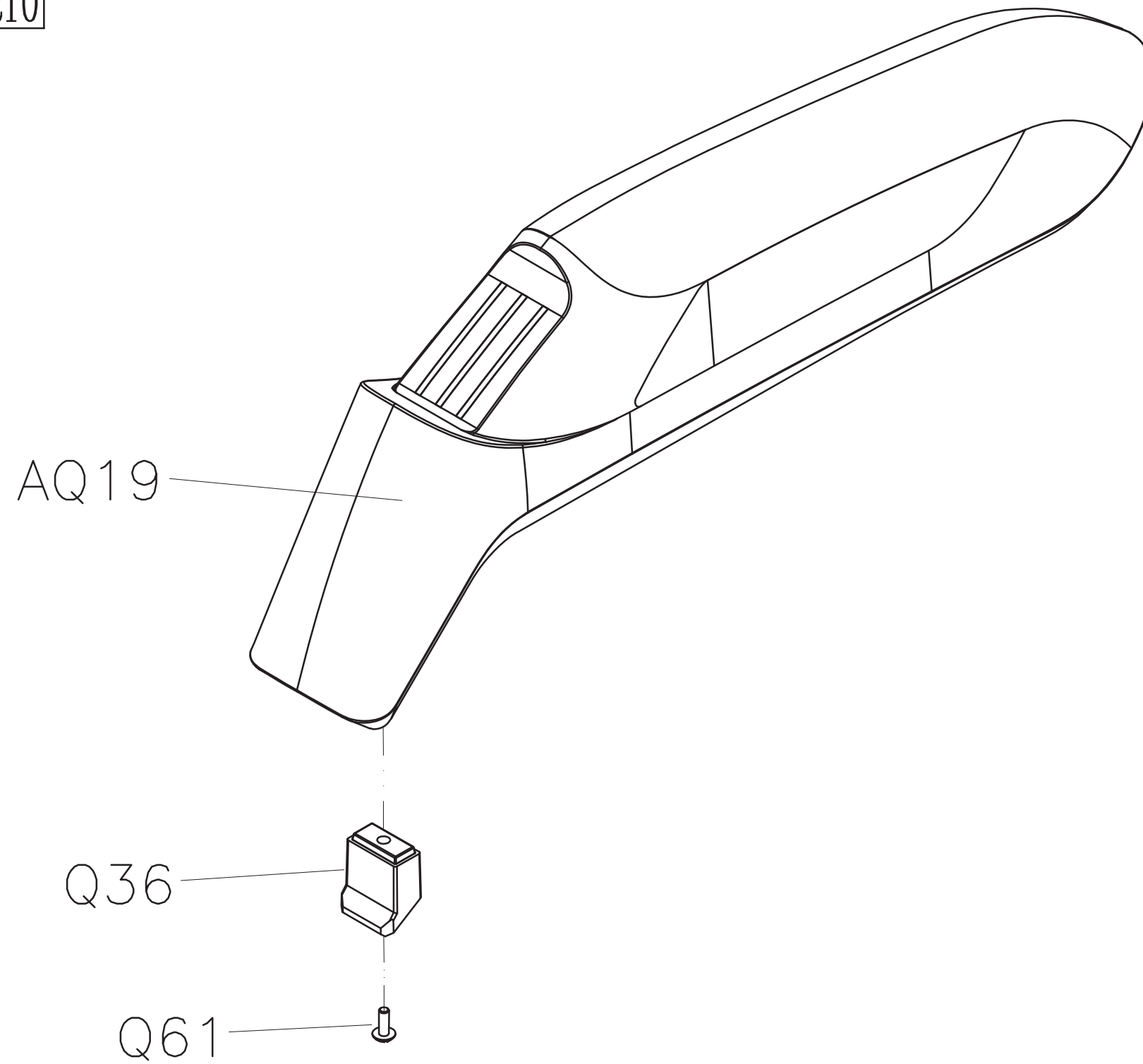
DRAWING NO	EP304-AQ12		
PART NAME	RIGHT SIDE COVER SET		
PART NO	0000095071 ^R _A		
APPROVE	tsaijw	DATE	20101213



DRAWING NO	EP304-AJ12		
PART NAME	CRANK SET		
PART NO	0000095121 ^R _B		
APPROVE	Tsaijw	DATE	20110909

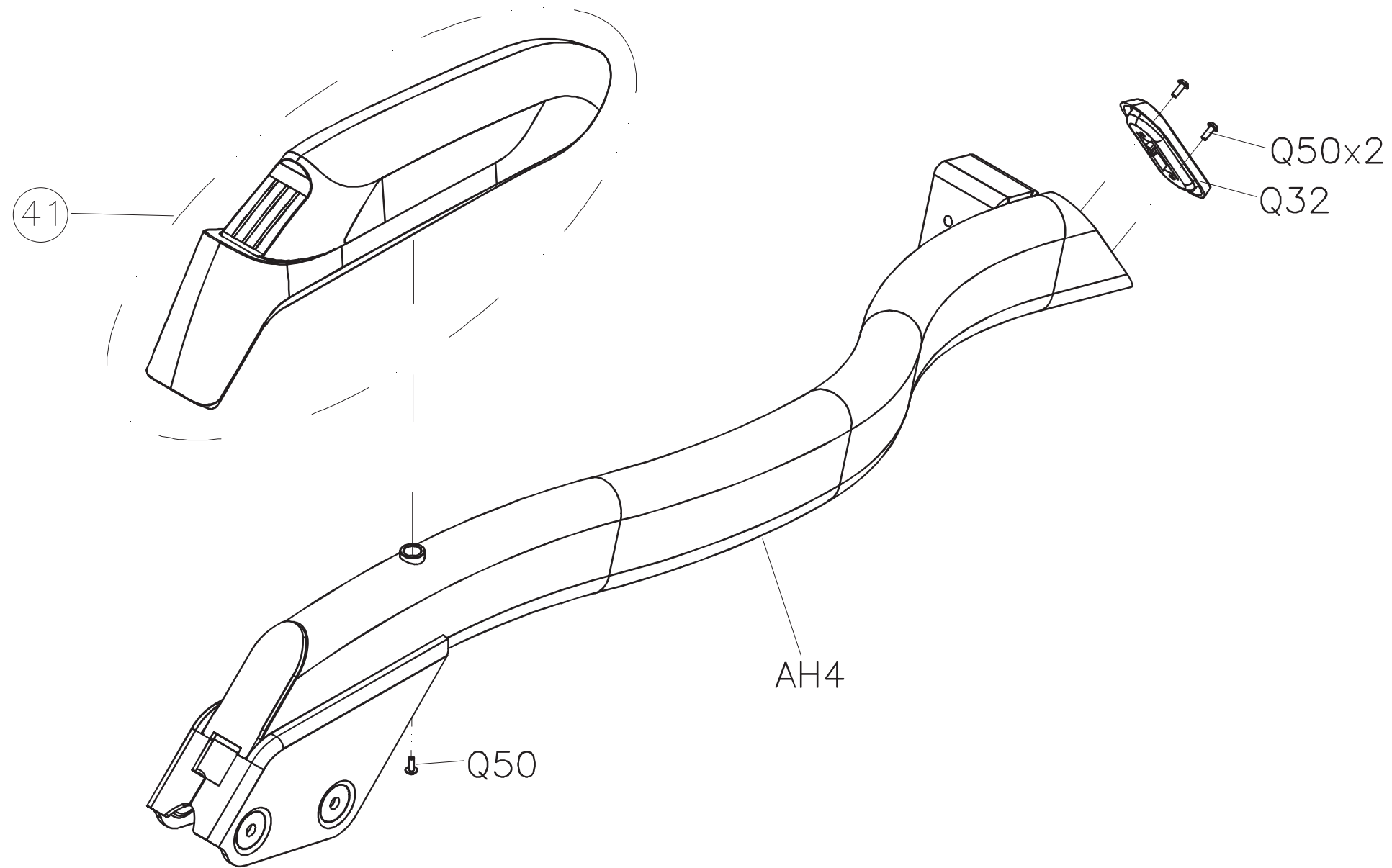


DRAWING NO	EP308-AQ21		
PART NAME	Incline arm cover		
PART NO	0000095212 ^R ₁ A		
APPROVE	MAX	DATE	20101210

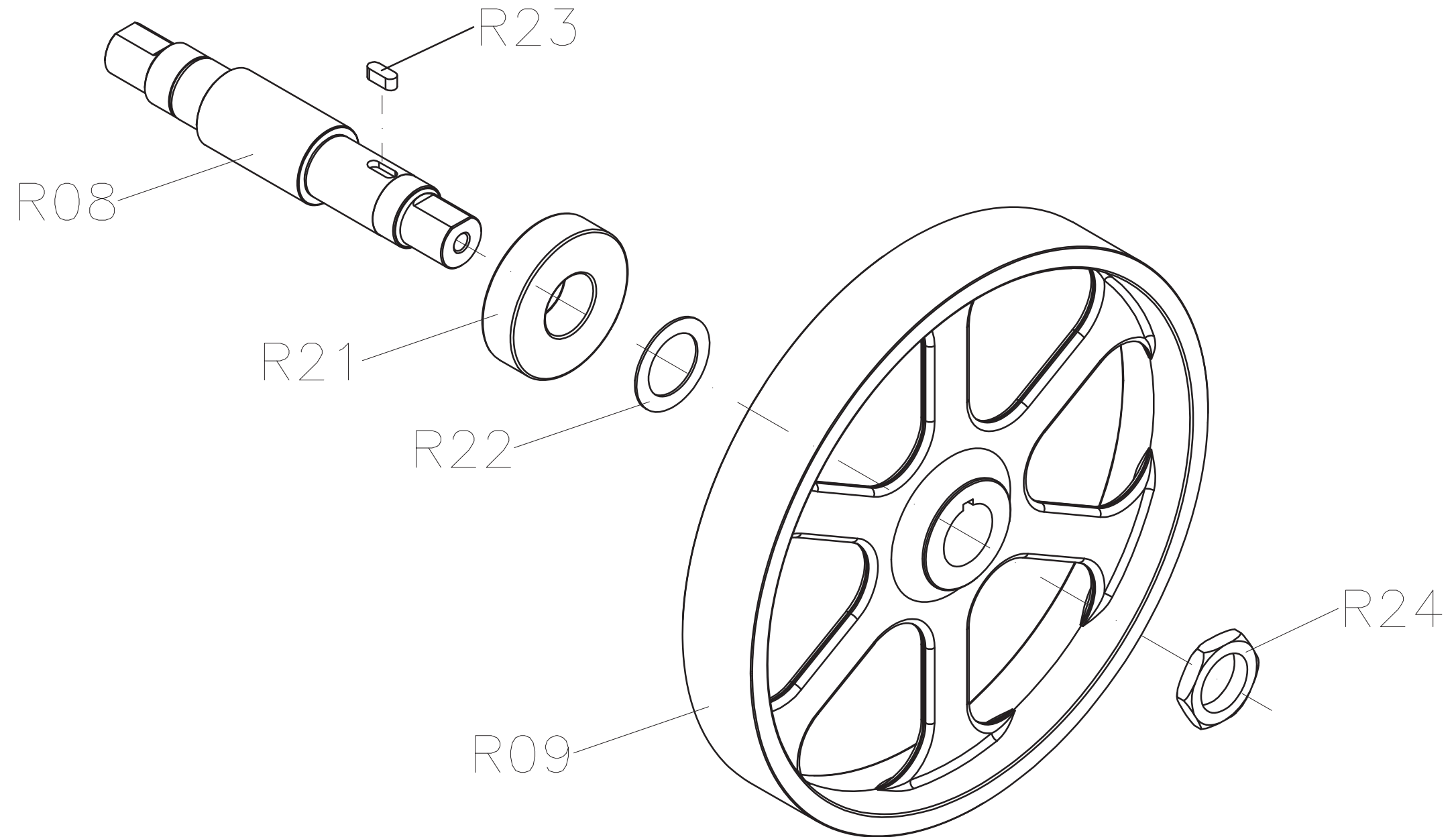


DRAWING NO	EP308-AH23		
PART NAME	RIGHT CONNECTION ARM SET		
PART NO	See attached  ID		
APPROVE	Hiker	DATE	20150608

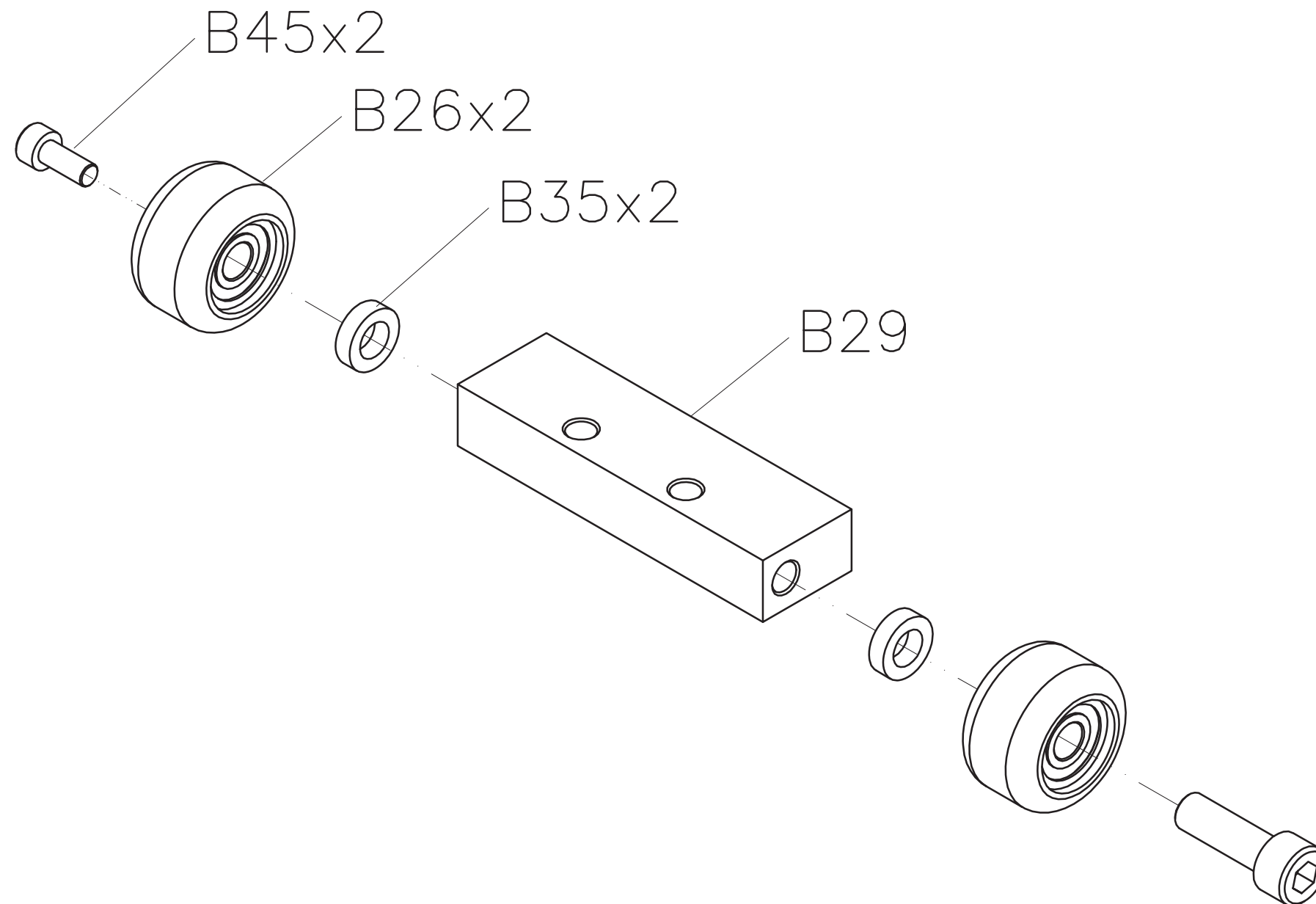
SAP No.	Description
0000095217	SLIVER
1000338615	BLACK MATTE
1000348928	BLACK MATTE(Fitness park)
1000349020	BLACK MATTE(Groupe moving)



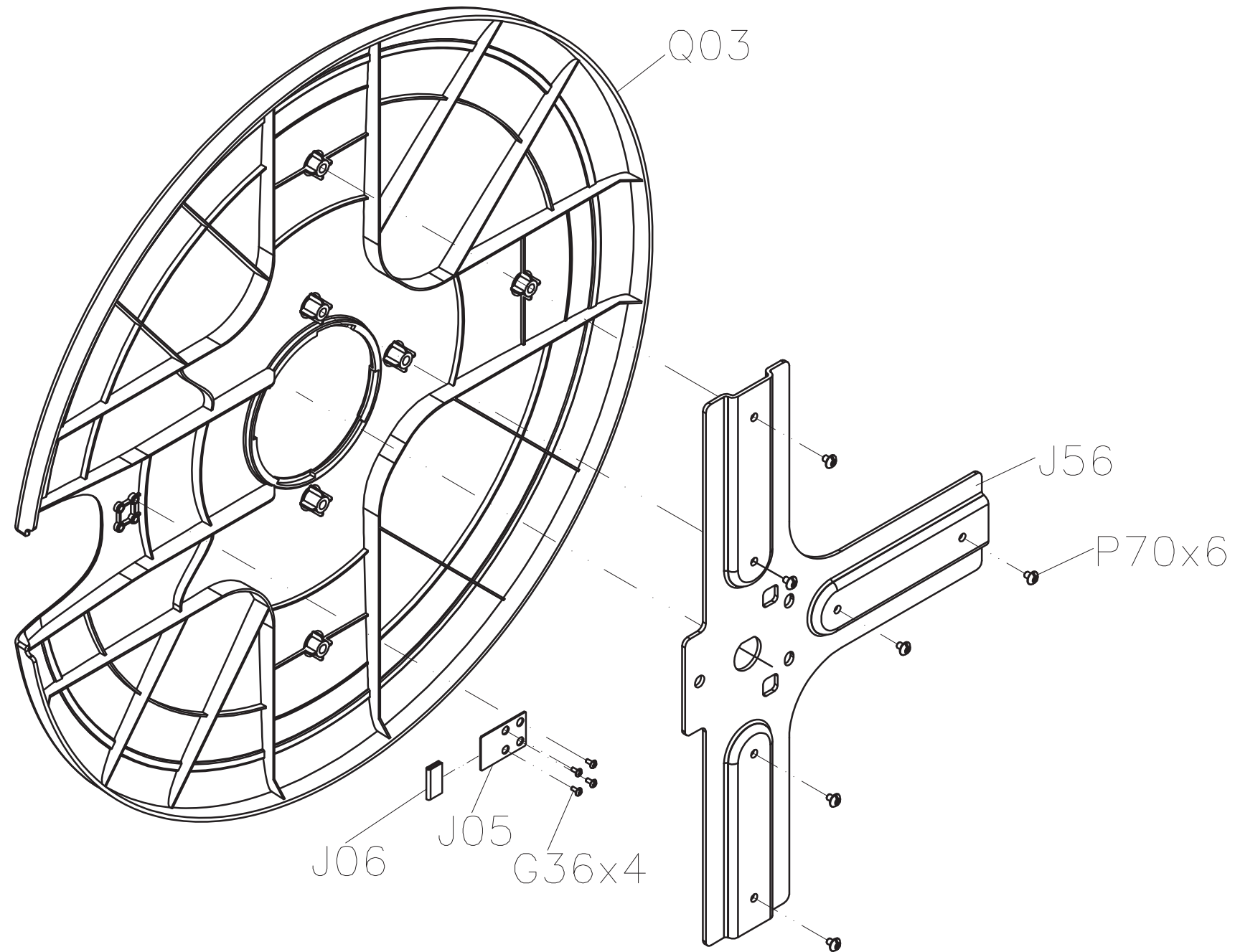
DRAWING NO	EP304-AR5		
PART NAME	DRIVE AXLE SET		
PART NO	1000206975 ^R ₁ A		
APPROVE	MAX	DATE	20101210



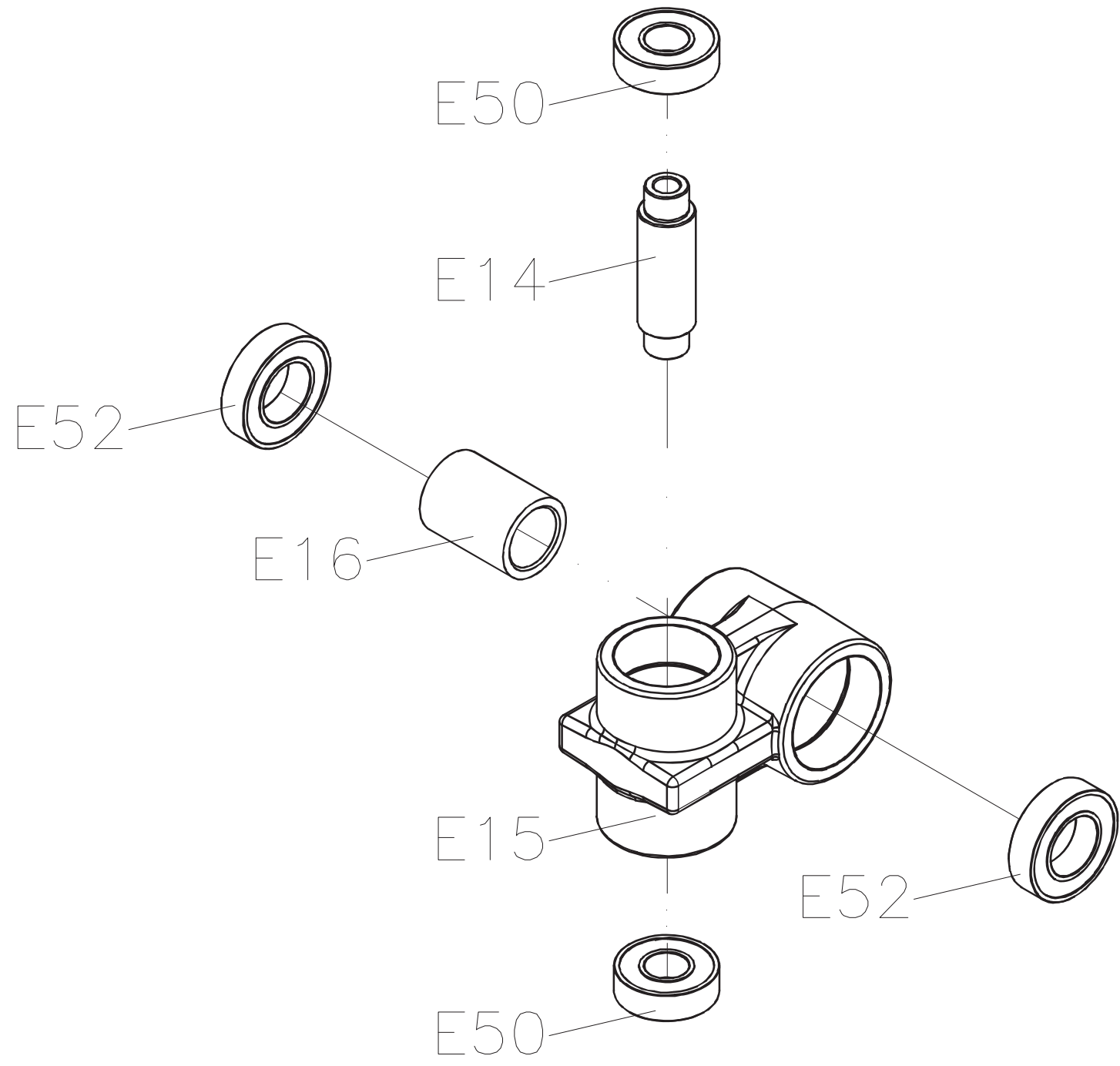
DRAWING NO	EP306-AB7		
PART NAME	ADJUST ROLLER SET		
PART NO	1000212320 ^R ₁ A		
APPROVE	MAX	DATE	20101210



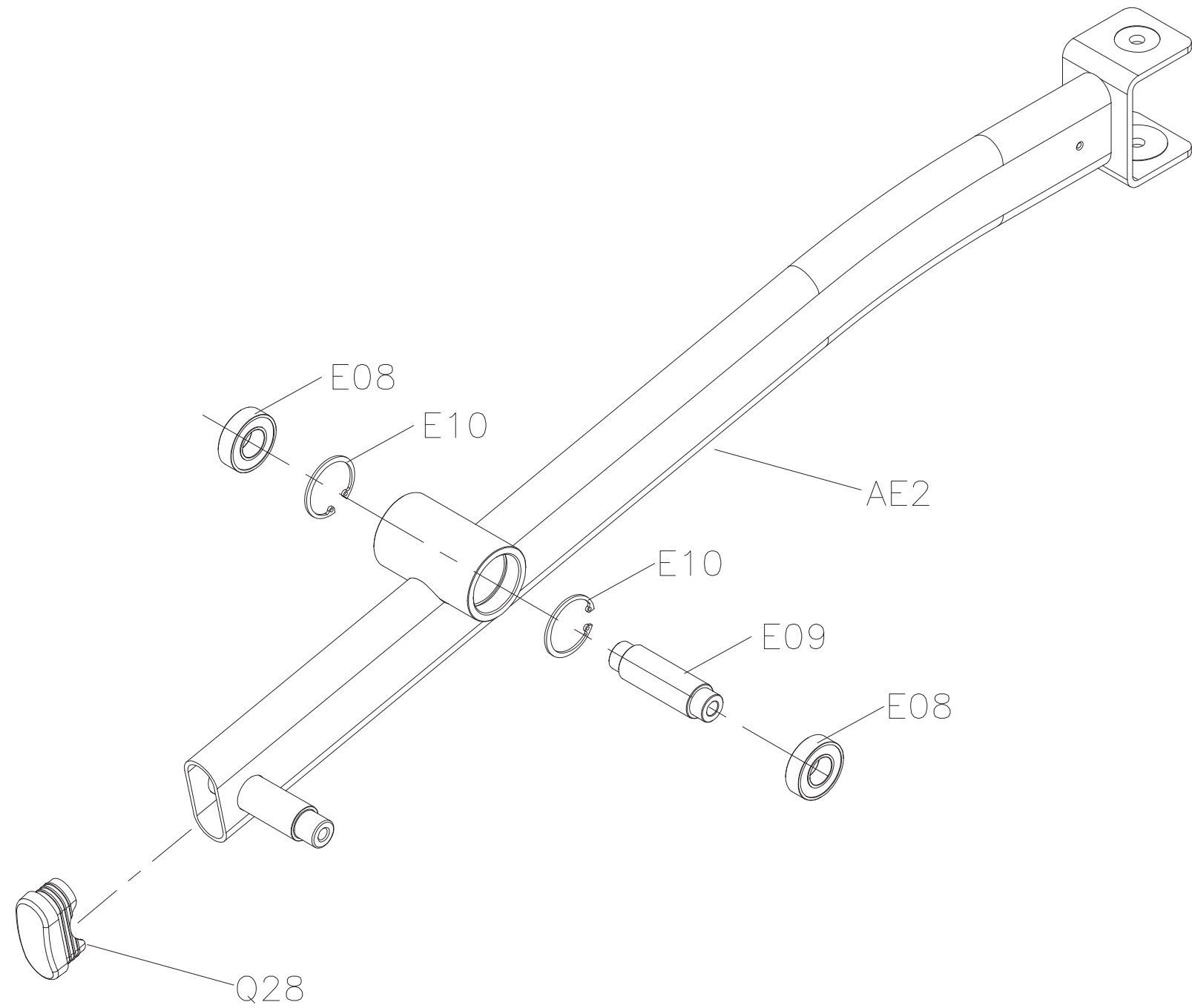
DRAWING NO	EP308-AJ13		
PART NAME	CRANK ROUND DISK SET		
PART NO	1000215874  B		
APPROVE	Tsaijw	DATE	20120204



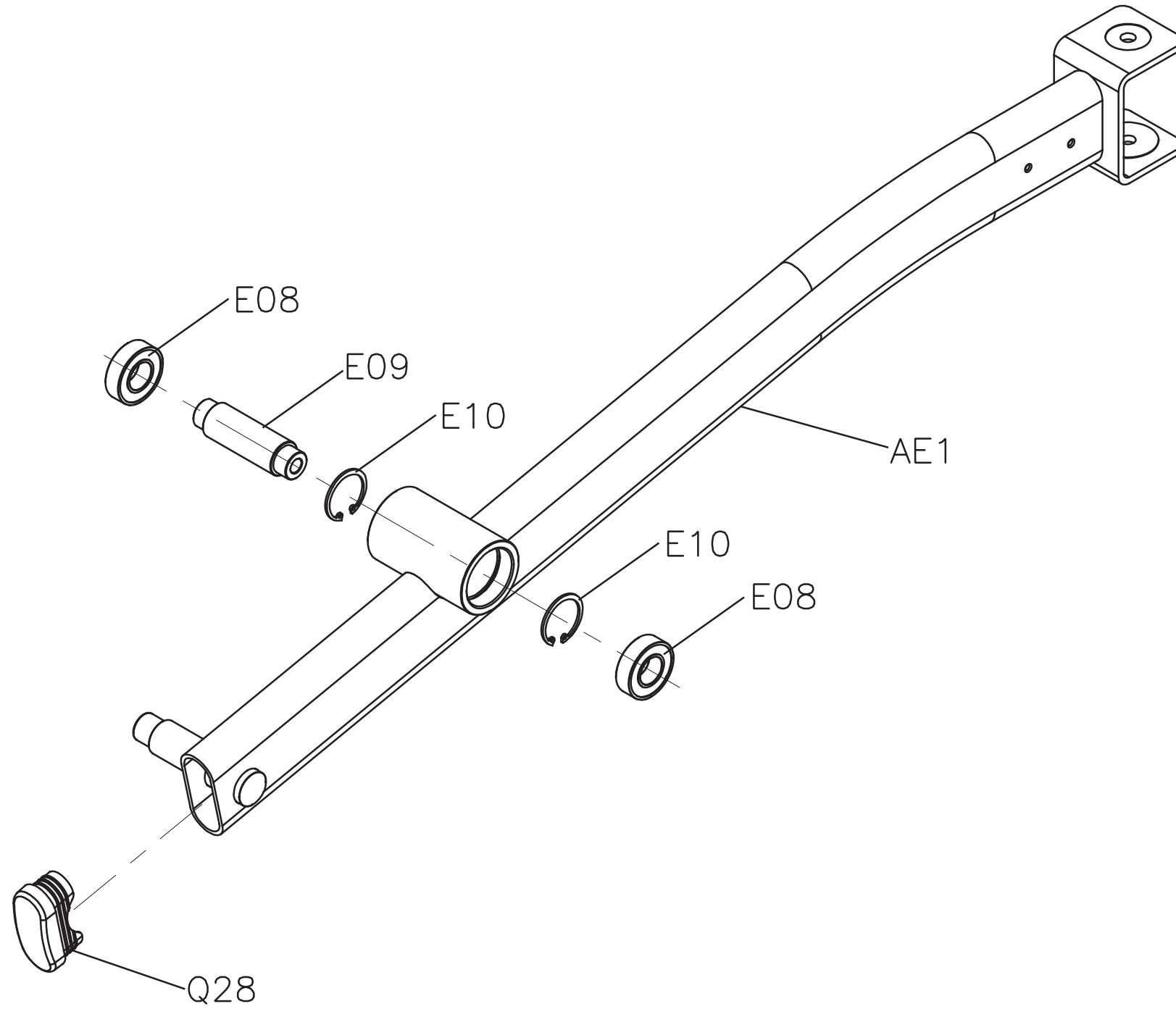
DRAWING NO	EP304B-AE5		
PART NAME	Crank Sleeve Set		
PART NO	1000347355 ^R / _{REV} B		
APPROVE	JARVIS	DATE	041114



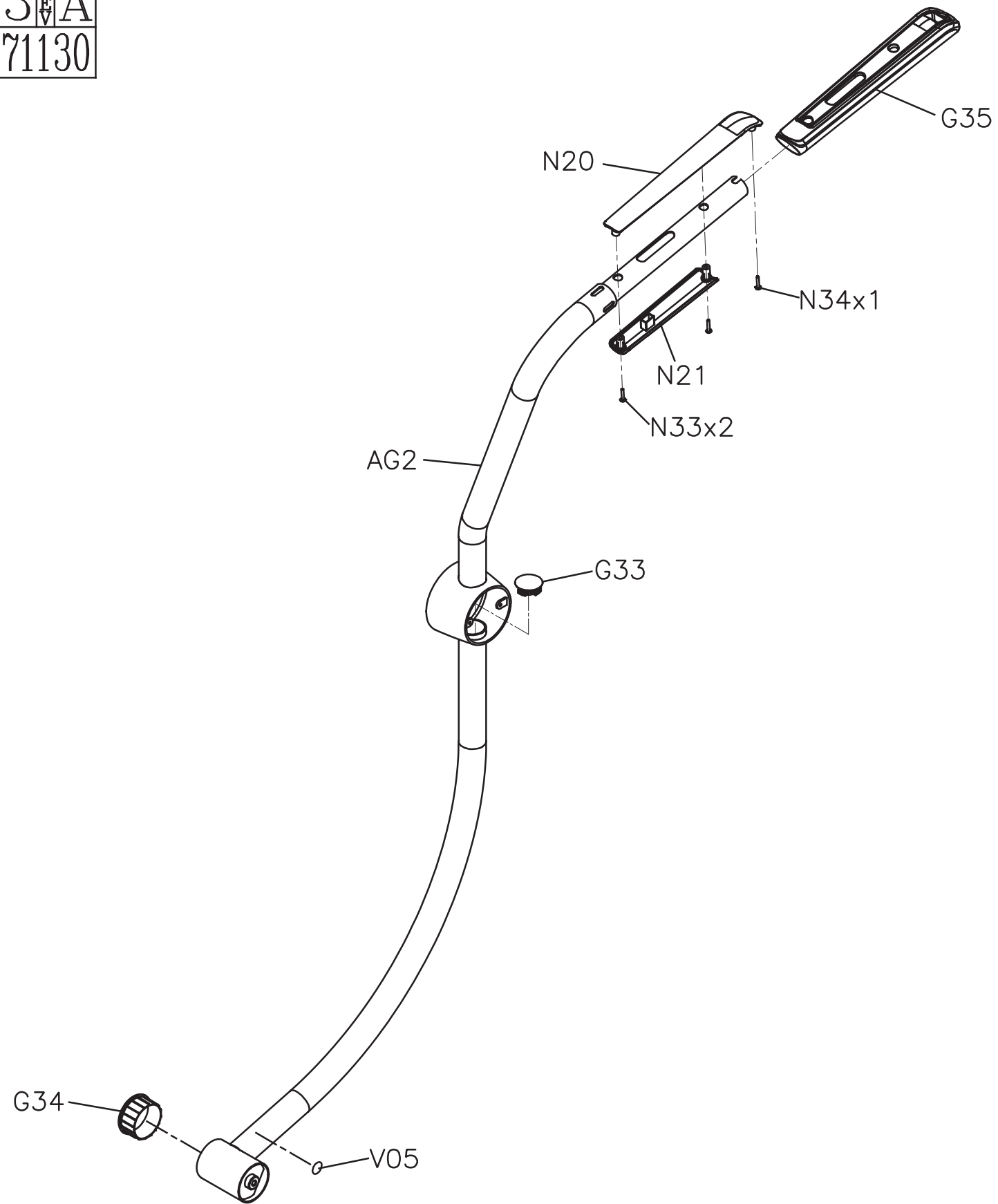
DRAWING NO	EP304M-AE11		
PART NAME	Pedal arm set;Right		
PART NO	1000417427	REV	A
APPROVE	AMELIE	DATE	20171130



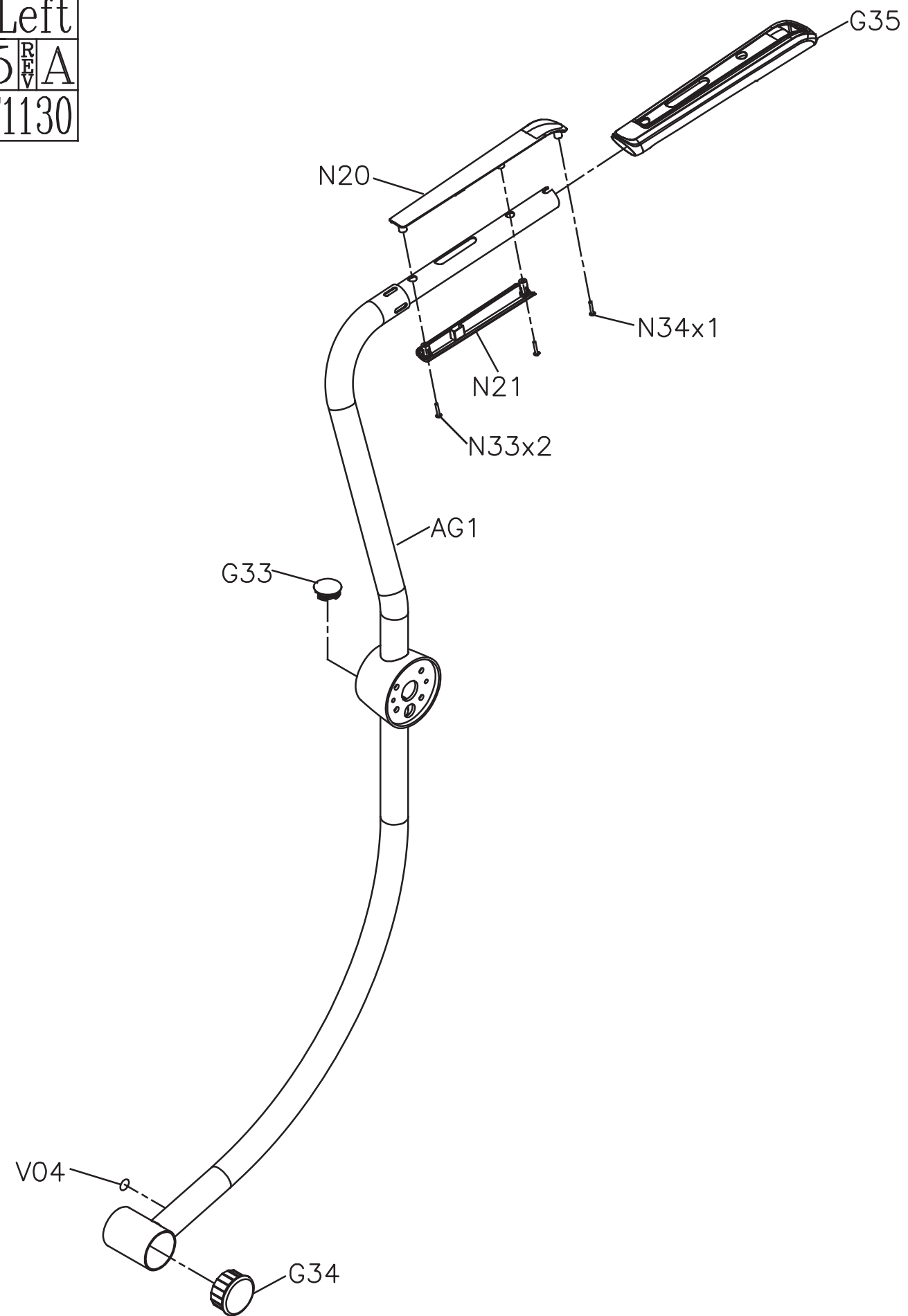
DRAWING NO	EP304M-AE12		
PART NAME	Pedal arm set;Left		
PART NO	1000417429 ^R _{REV} A		
APPROVE	AMELIE	DATE	20171130



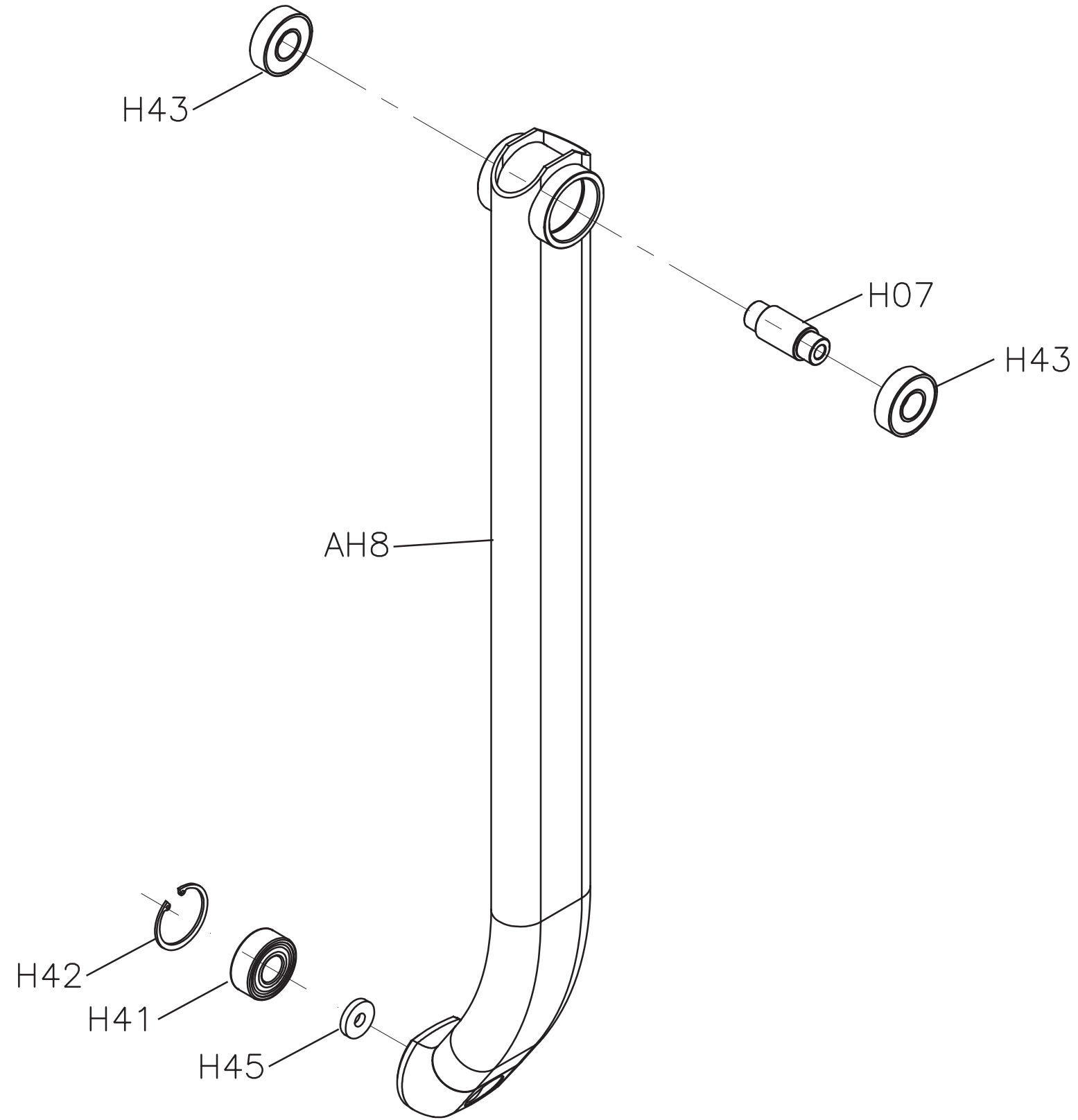
DRAWING NO	EP304M-AG11		
PART NAME	Arm Rest set;Right		
PART NO	1000417433REV A		
APPROVE	AMELIE	DATE	20171130



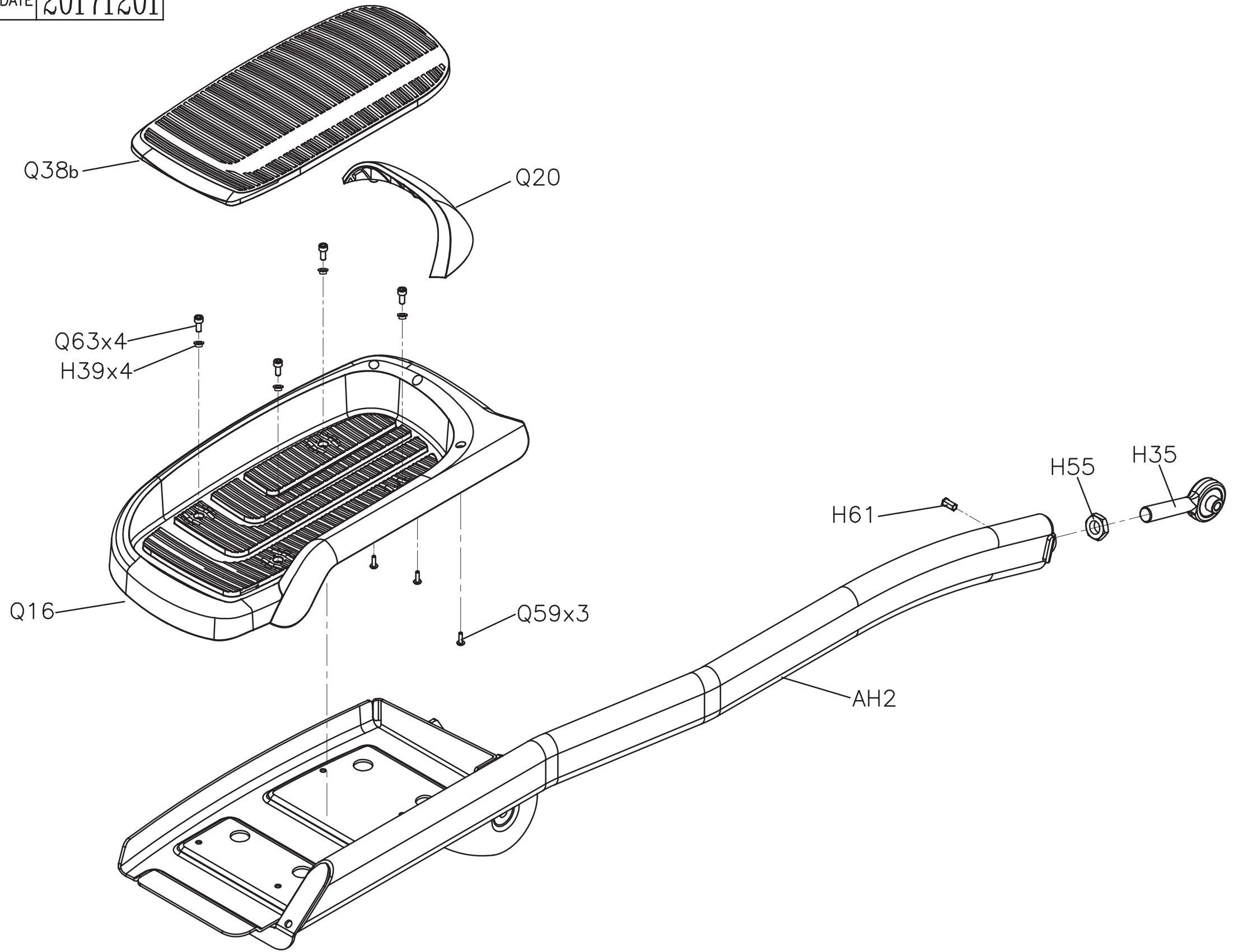
DRAWING NO	EP304M-AG12		
PART NAME	Arm Rest set;Left		
PART NO	1000417435	REV	A
APPROVE	AMELIE	DATE	20171130



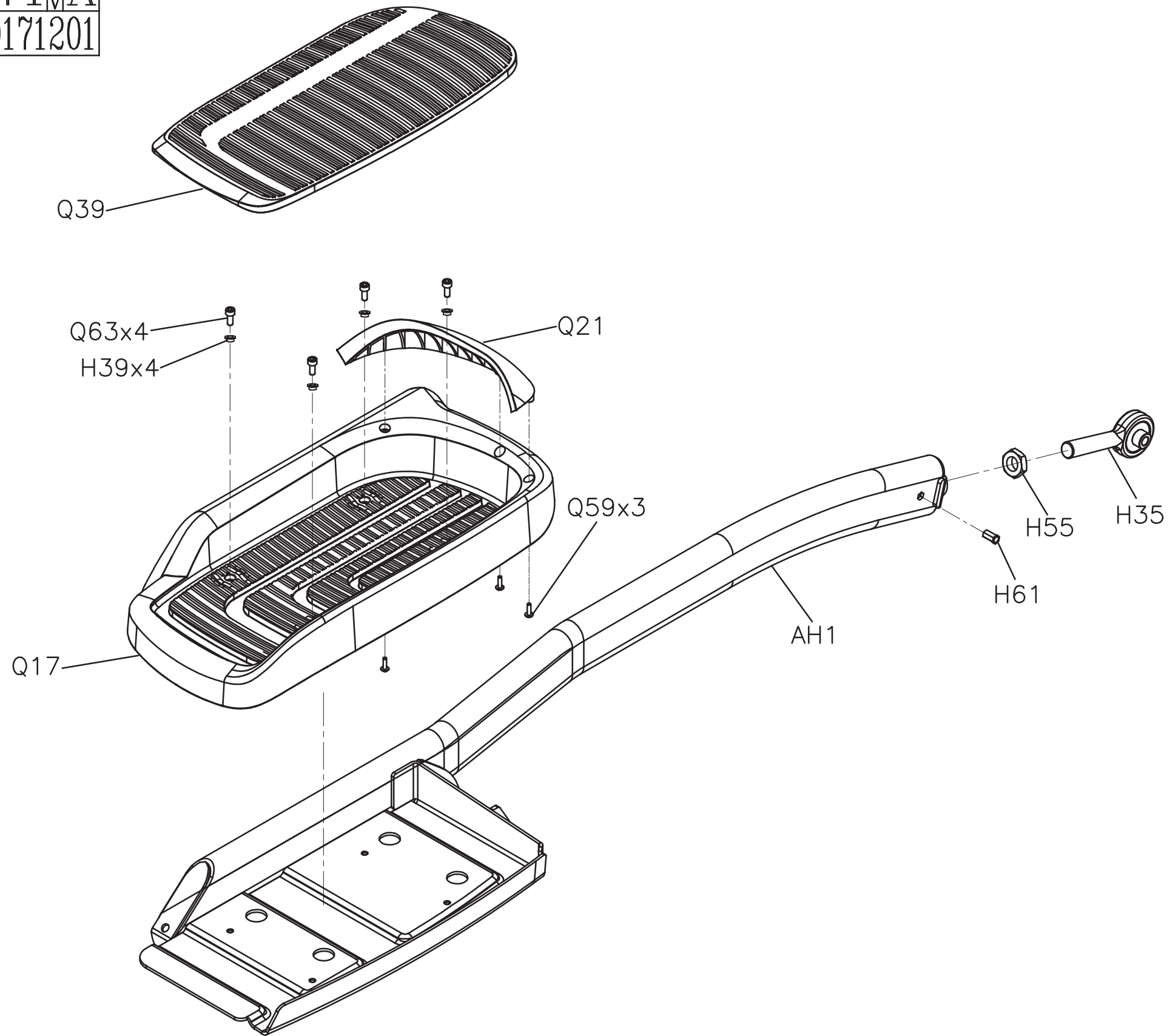
DRAWING NO	EP304M-AH25		
PART NAME	Swing Arm Set		
PART NO	1000417448 ^R ₁ ^E ₁ ^A		
APPROVE	AMELIE	DATE	20171201



DRAWING NO	EP308L-AH21		
PART NAME	Link Arm;Right		
PART NO	1000417470	REV	A
APPROVE	AMELIE	DATE	20171201

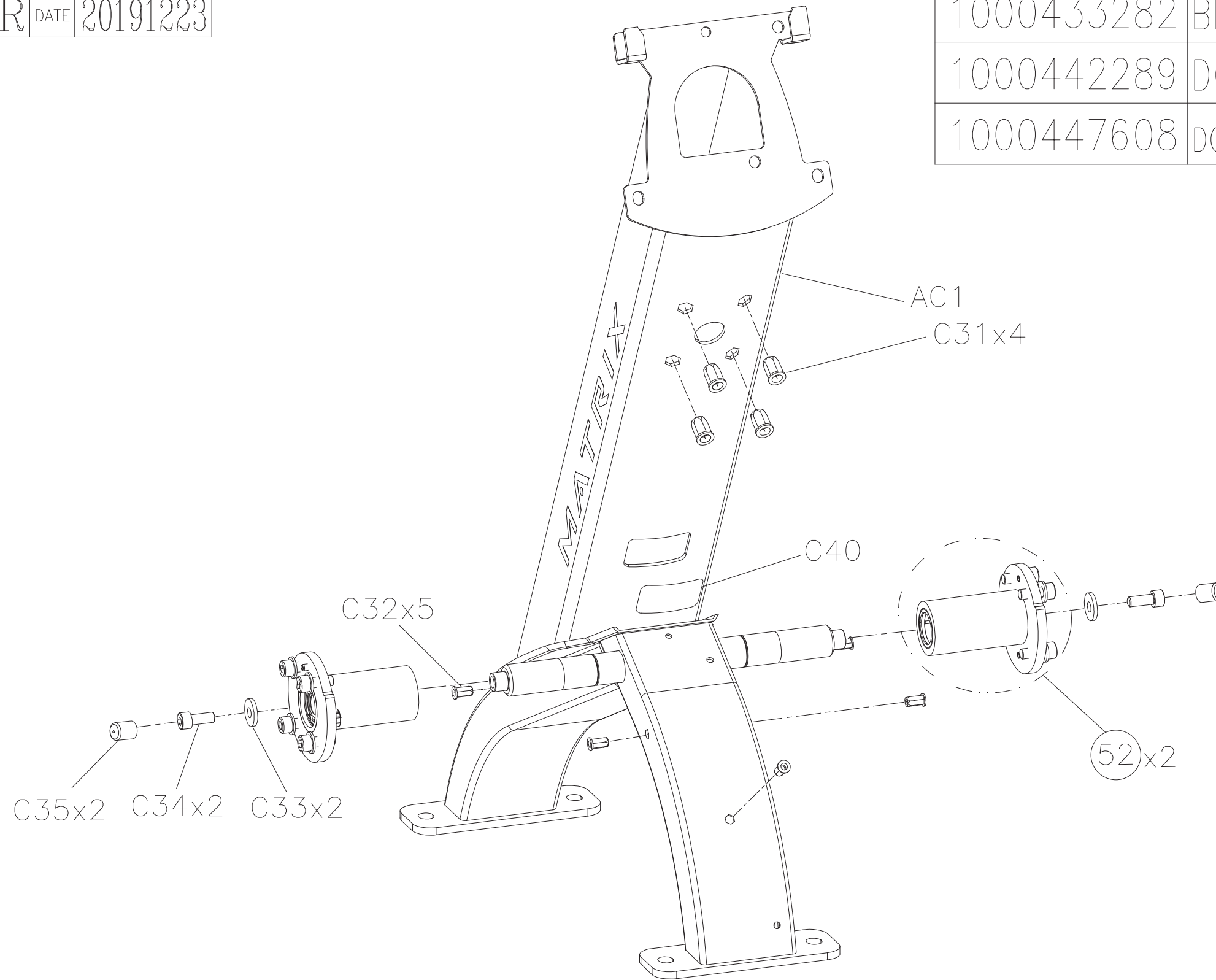


DRAWING NO	EP308L-AH22		
PART NAME	Link Arm;Left		
PART NO	1000417471 <small>REV</small> A		
APPROVE	AMELIE	DATE	20171201



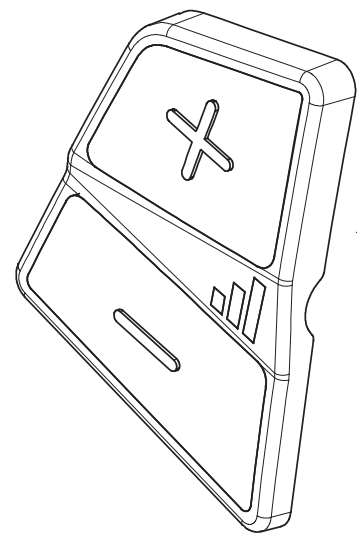
DRAWING NO	EP629-AC11		
PART NAME	CONSOLE MAST SET		
PART NO	See attached chart  D		
APPROVE	AMBER	DATE	20191223

SAP No.	Description
1000433240	SLIVER
1000433282	BLACK MATTE
1000442289	DOUBLE BLACK MATTE
1000447608	DOUBLE Graphite Grey 202020

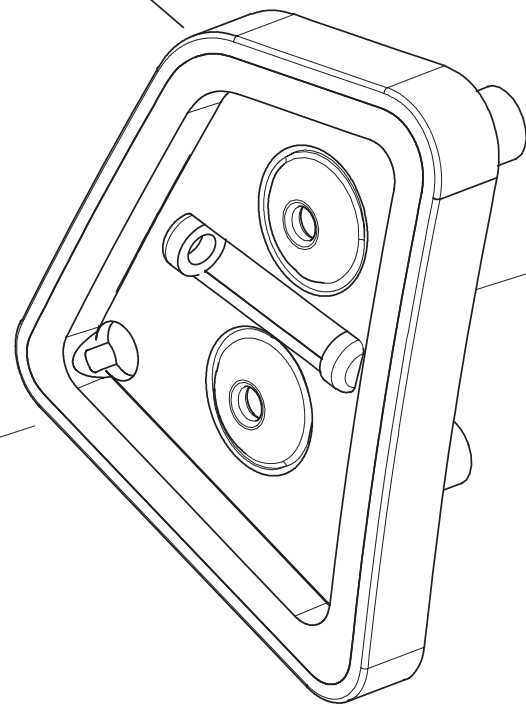


DRAWING NO	EP630-AG7		
PART NAME	Hand Pulse Set;Quickly Key;left		
PART NO	1000433324RB		
APPROVE	David	DATE	190507

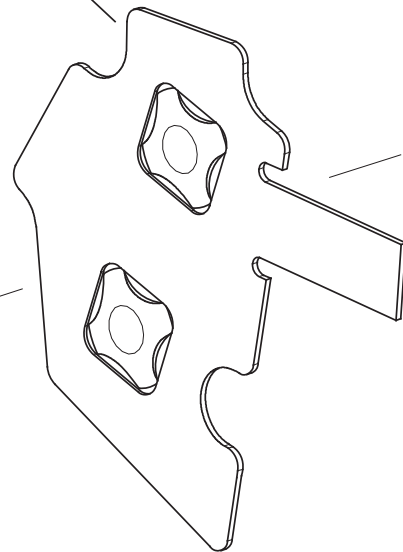
N45



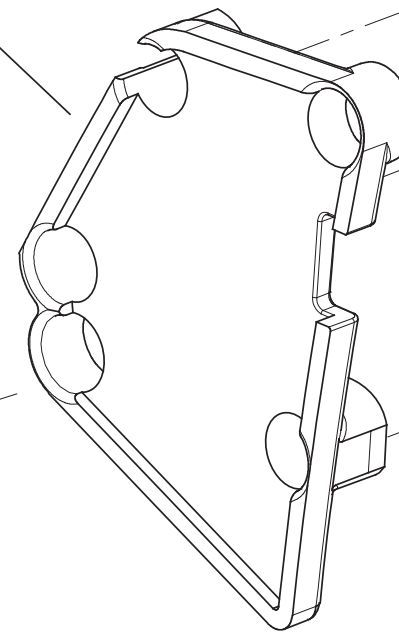
N47



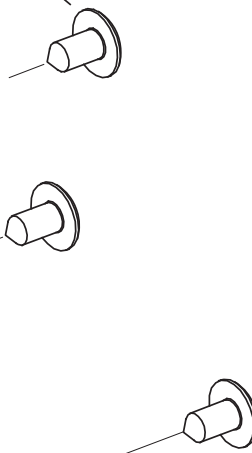
N25



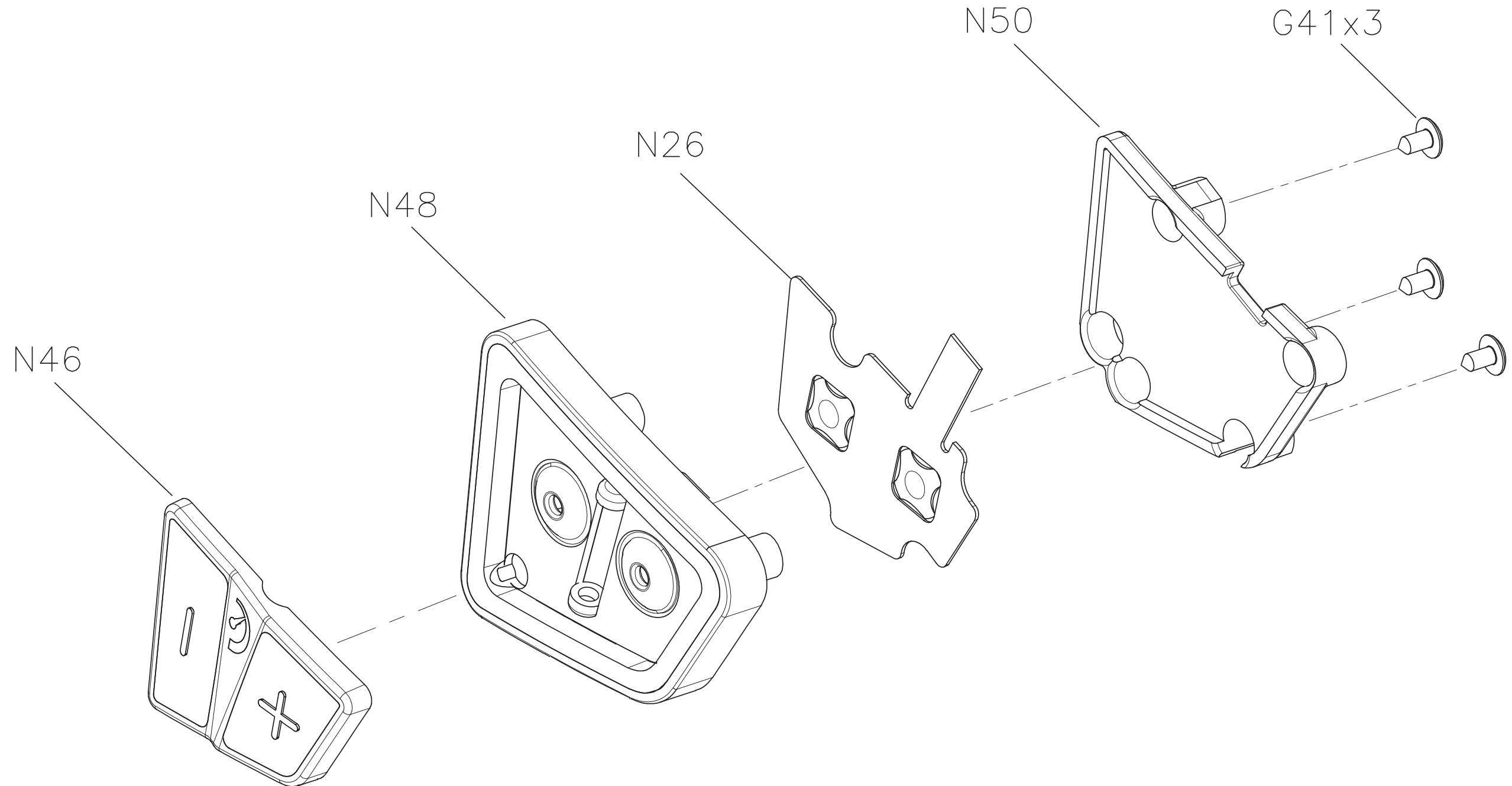
N49



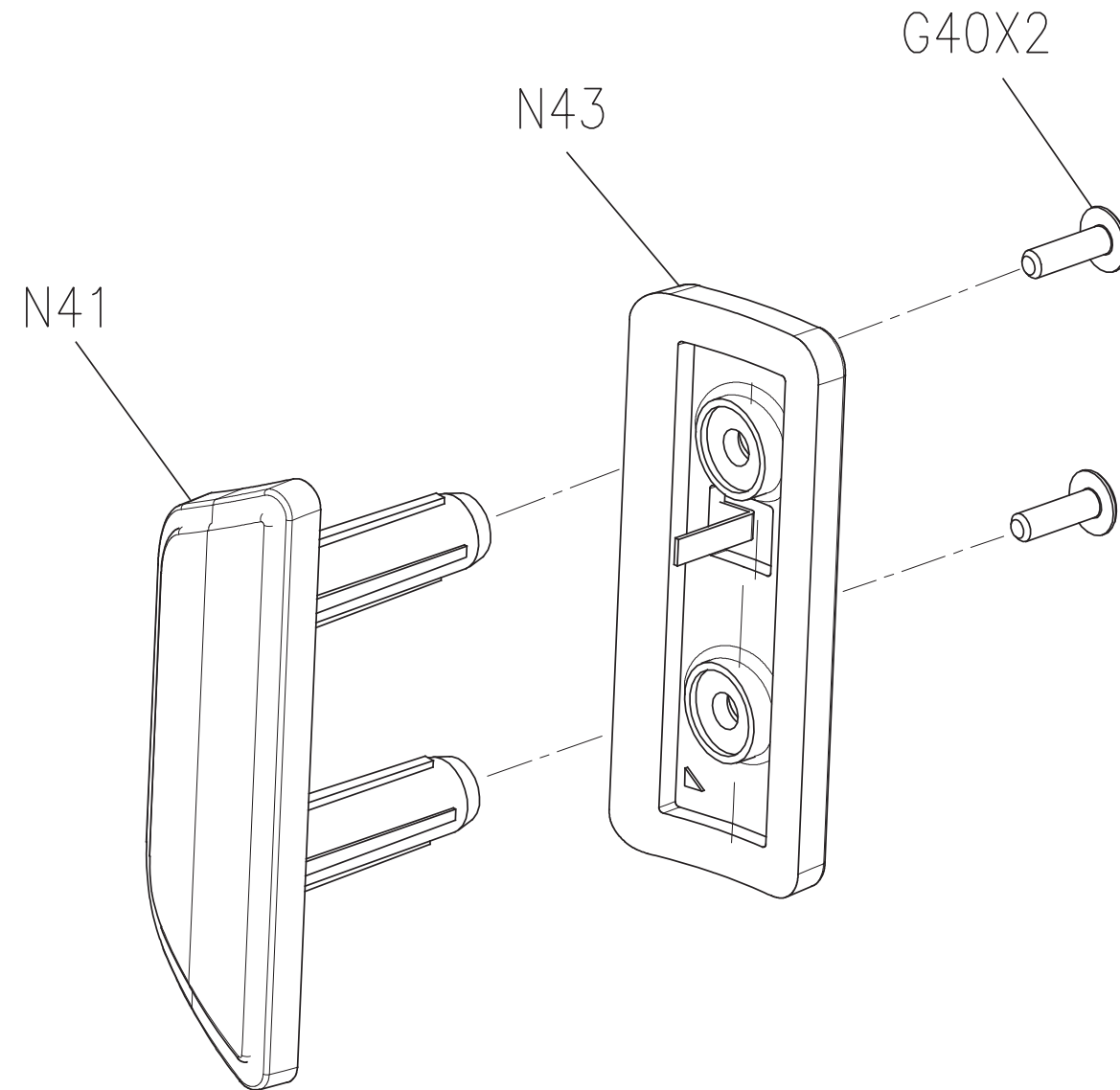
G41x3



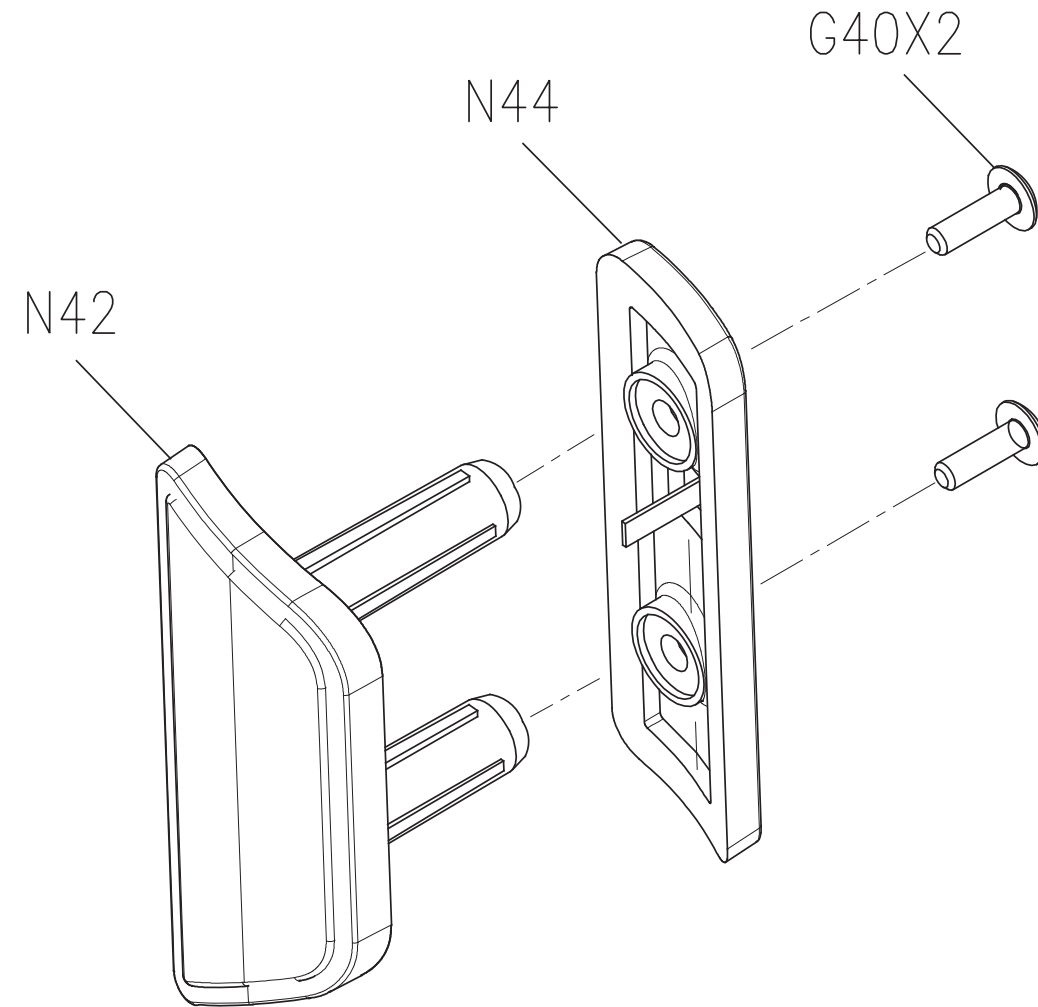
DRAWING NO	EP630-AG8		
PART NAME	Hand Pulse Set;Quickly Key:right		
PART NO	1000433325 REV B		
APPROVE	David	DATE	190505



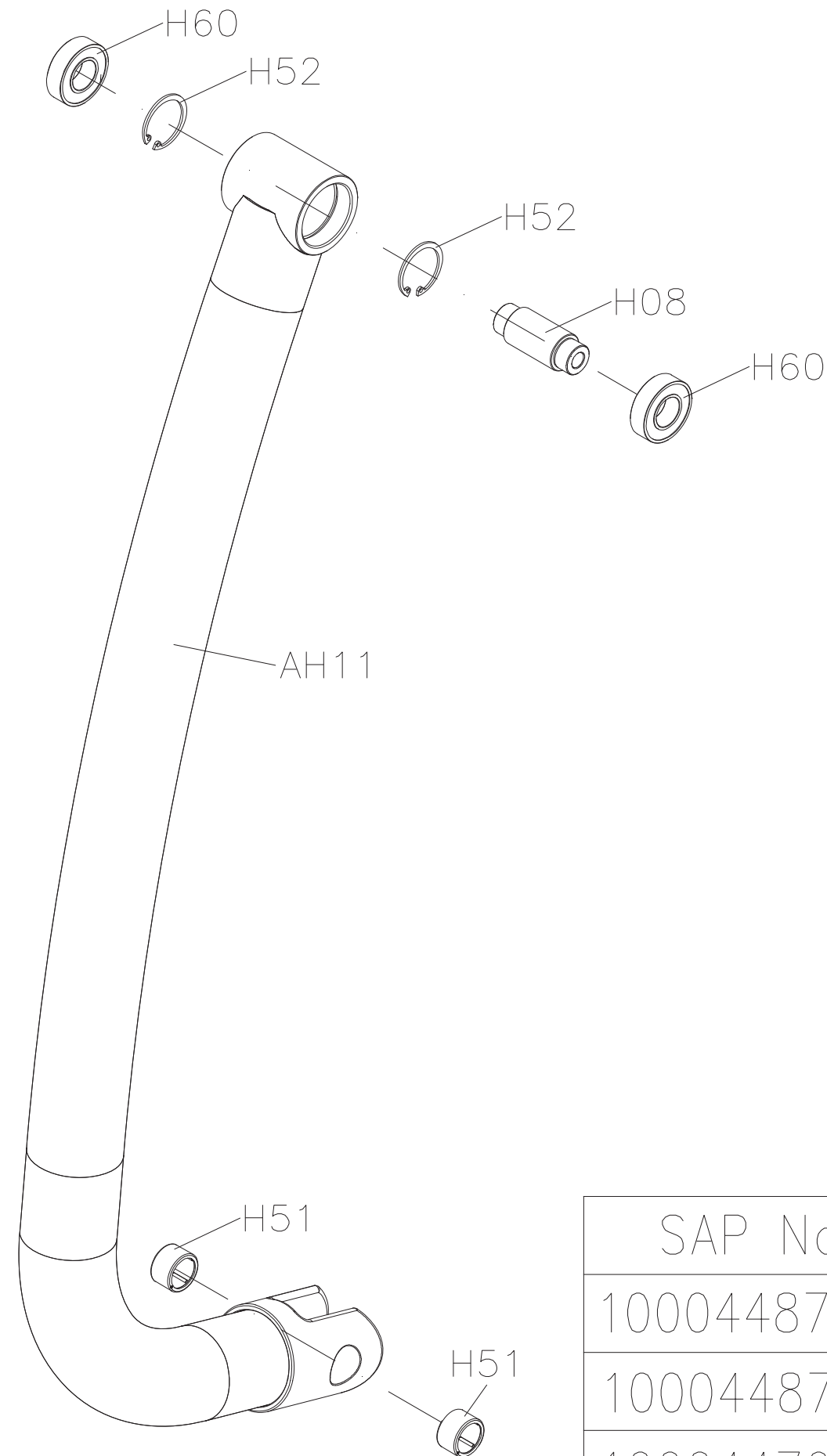
DRAWING NO	EP630-AG21		
PART NAME	Pulse Sensor Set;Grip;left		
PART NO	1000433330 ^R _B		
APPROVE	David	DATE	190508



DRAWING NO	EP630-AG22		
PART NAME	Pulse Sensor Set;Grip;right		
PART NO	1000433331REV B		
APPROVE	David	DATE	190508

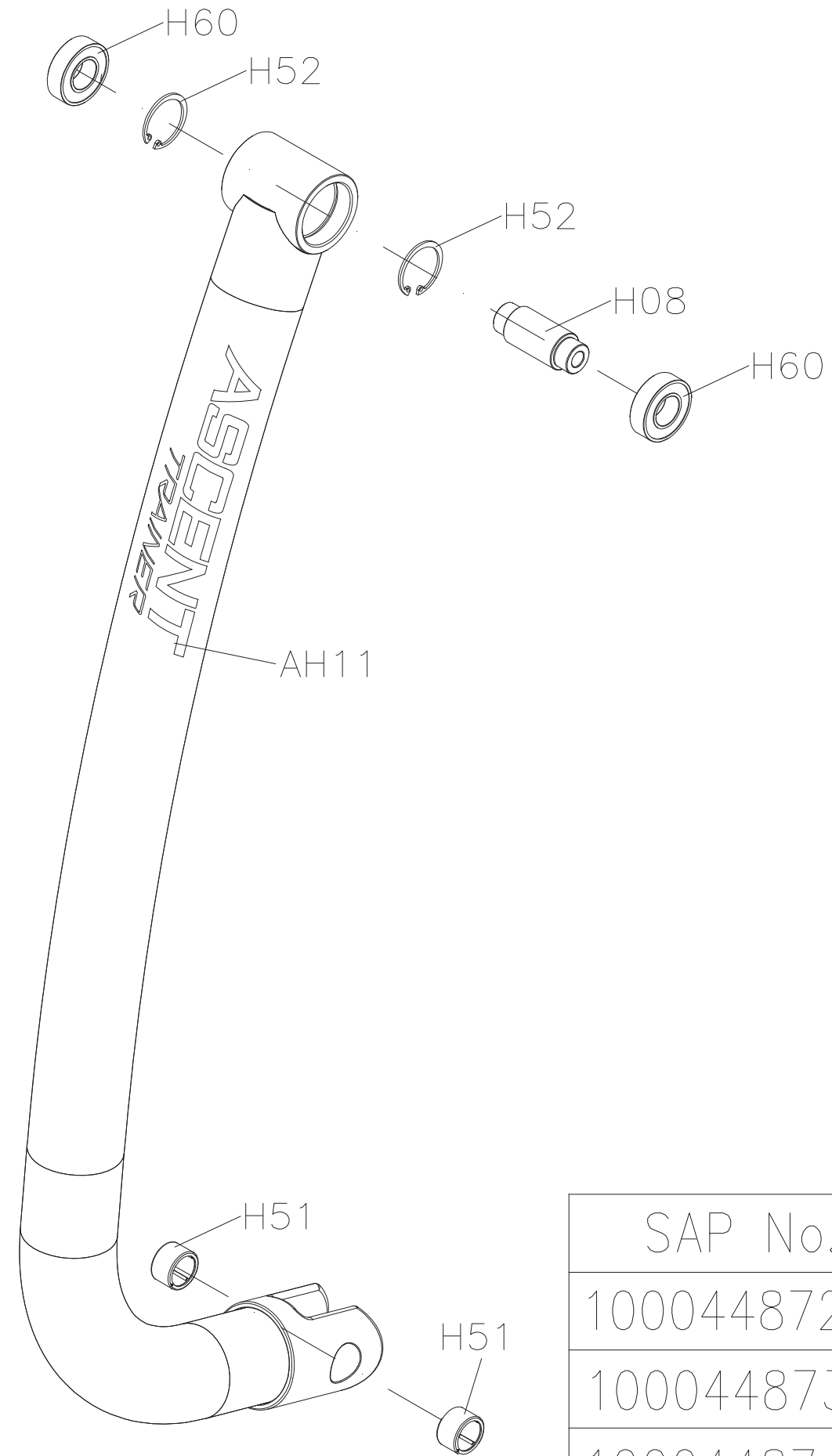


DRAWING NO	EP629-AH26		
PART NAME	ADJUSTMENT ARM SET		
PART NO	See attached chart REB		
APPROVE	Amber	DATE	20191227



SAP No.	Description
1000448717	SILVER
1000448720	DOUBLE BLACK MATTE
1000447622	DOUBLE GRAPHITE GREY 202020

DRAWING NO	EP630-AH29		
PART NAME	ADJUSTMENT ARM SET		
PART NO	See attached chart ^R _F B		
APPROVE	Amber	DATE	20191227



SAP No.	Description
1000448727	SILVER
1000448735	DOUBLE BLACK MATTE
1000448740	DOUBLE GRAPHITE GREY 202020