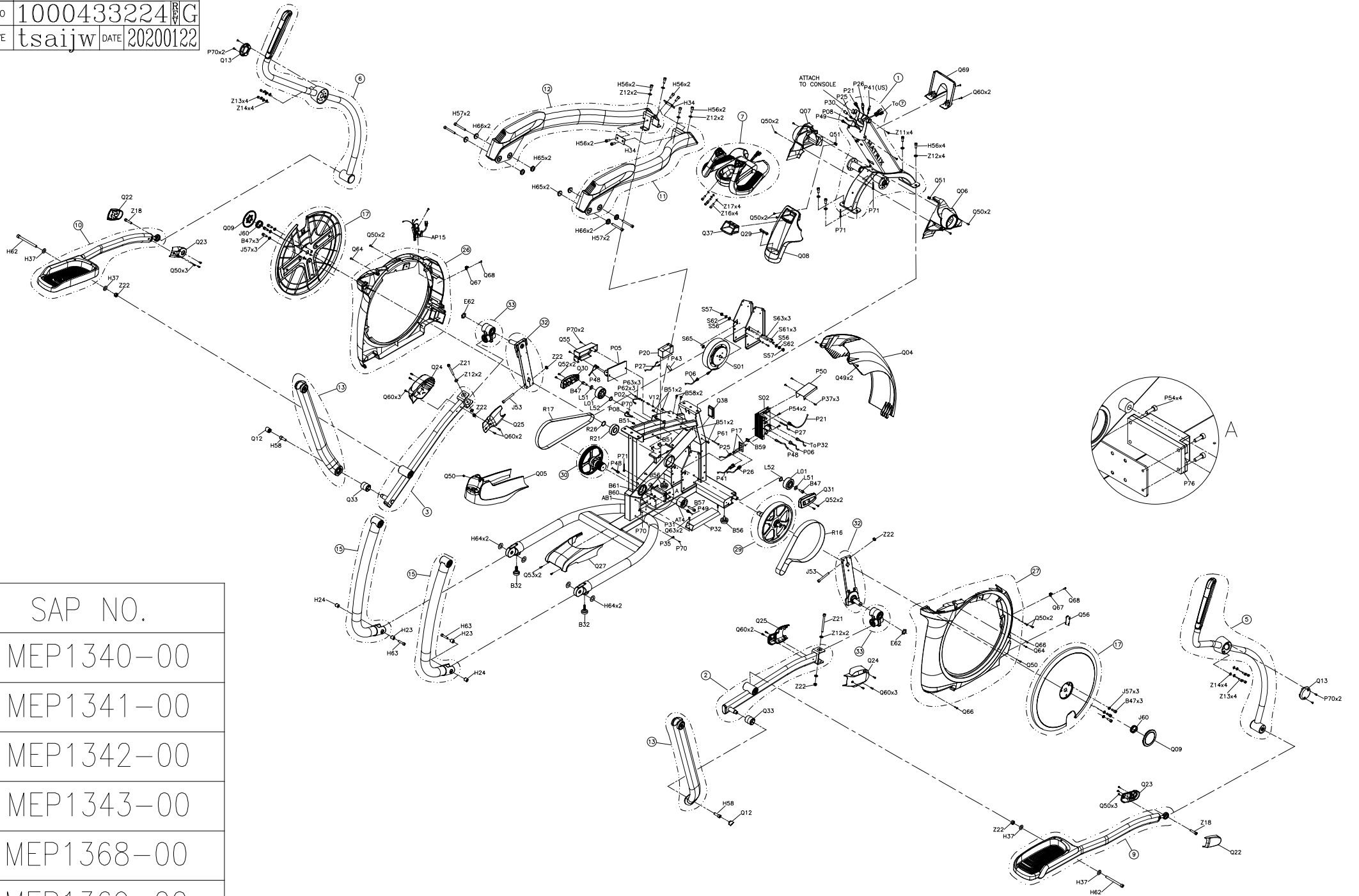
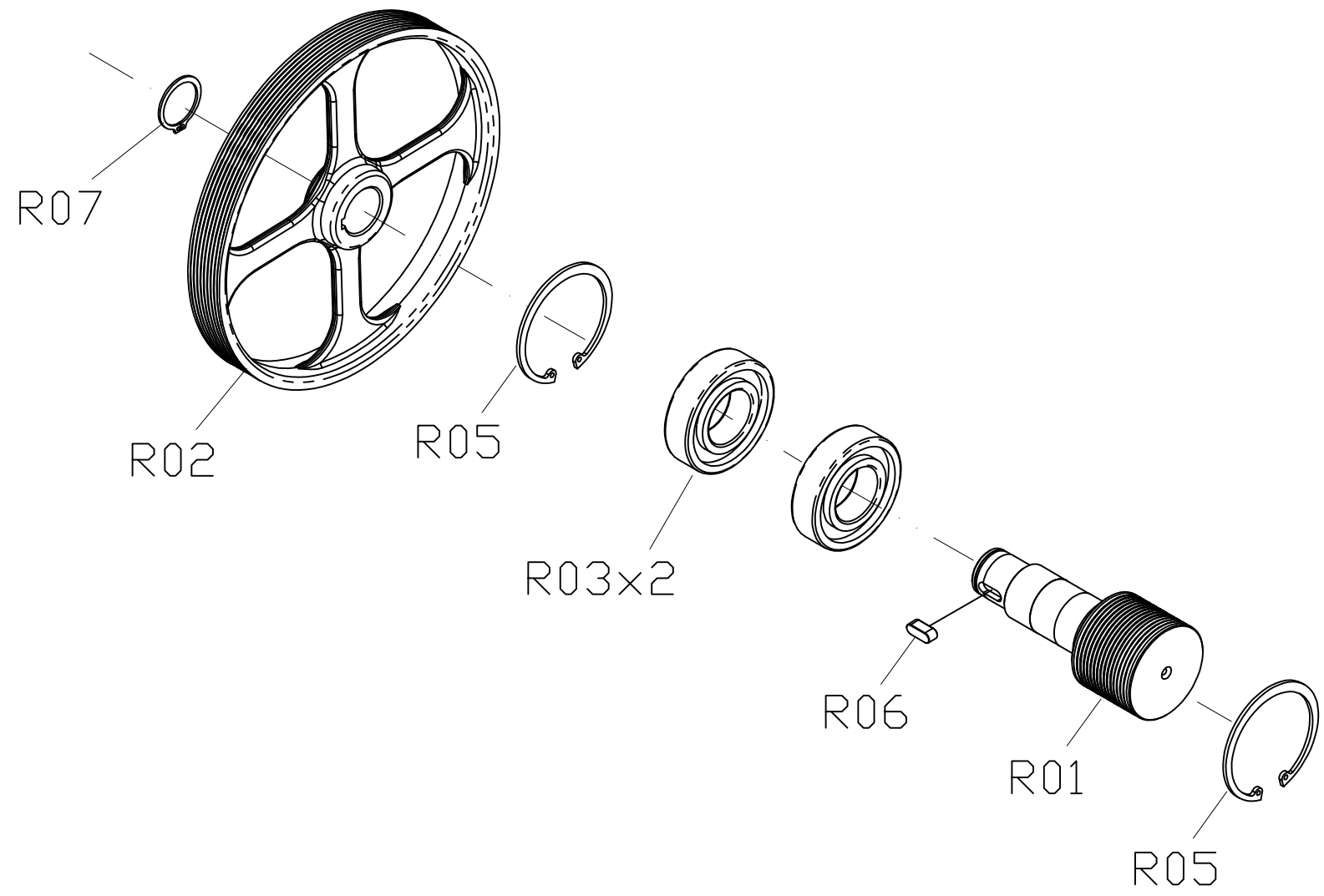



DRAWING NO.	EP629-A04
PART NAME	EXPLODED DRAWING
PART NO.	1000433224
APPROVE	tsaijw
DATE	20200122

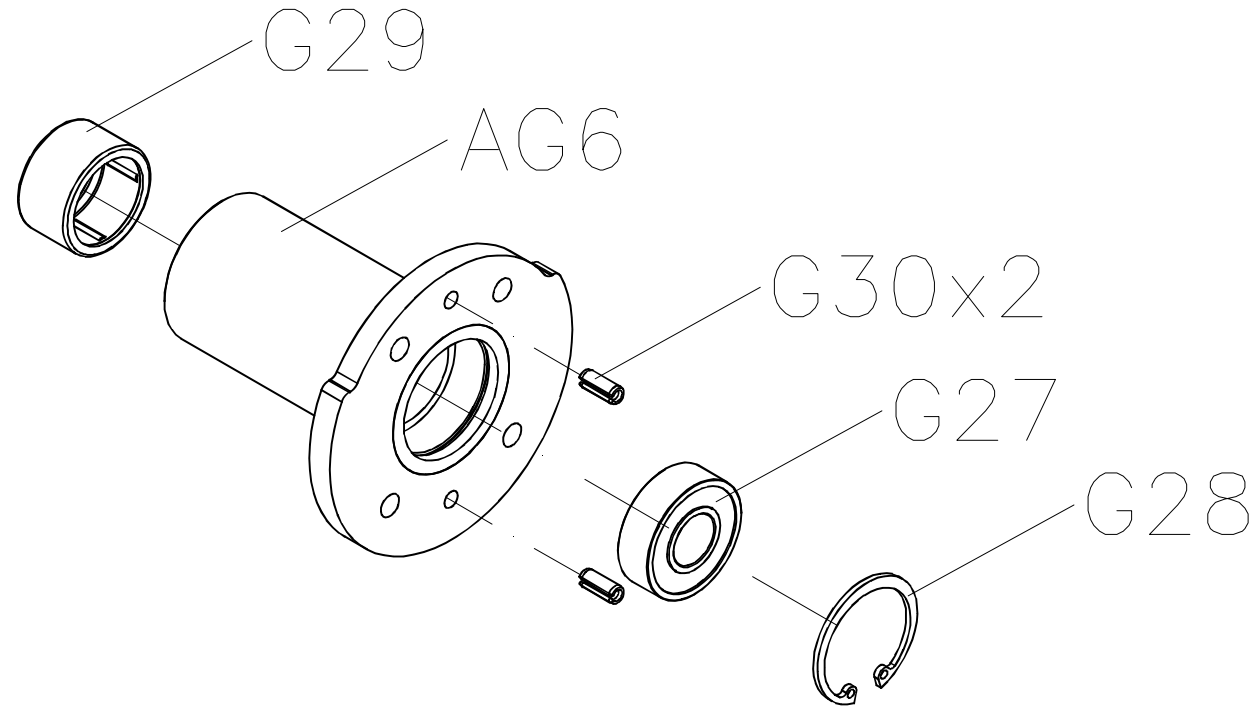


SAP NO.
MEP1340-00
MEP1341-00
MEP1342-00
MEP1343-00
MEP1368-00
MEP1369-00

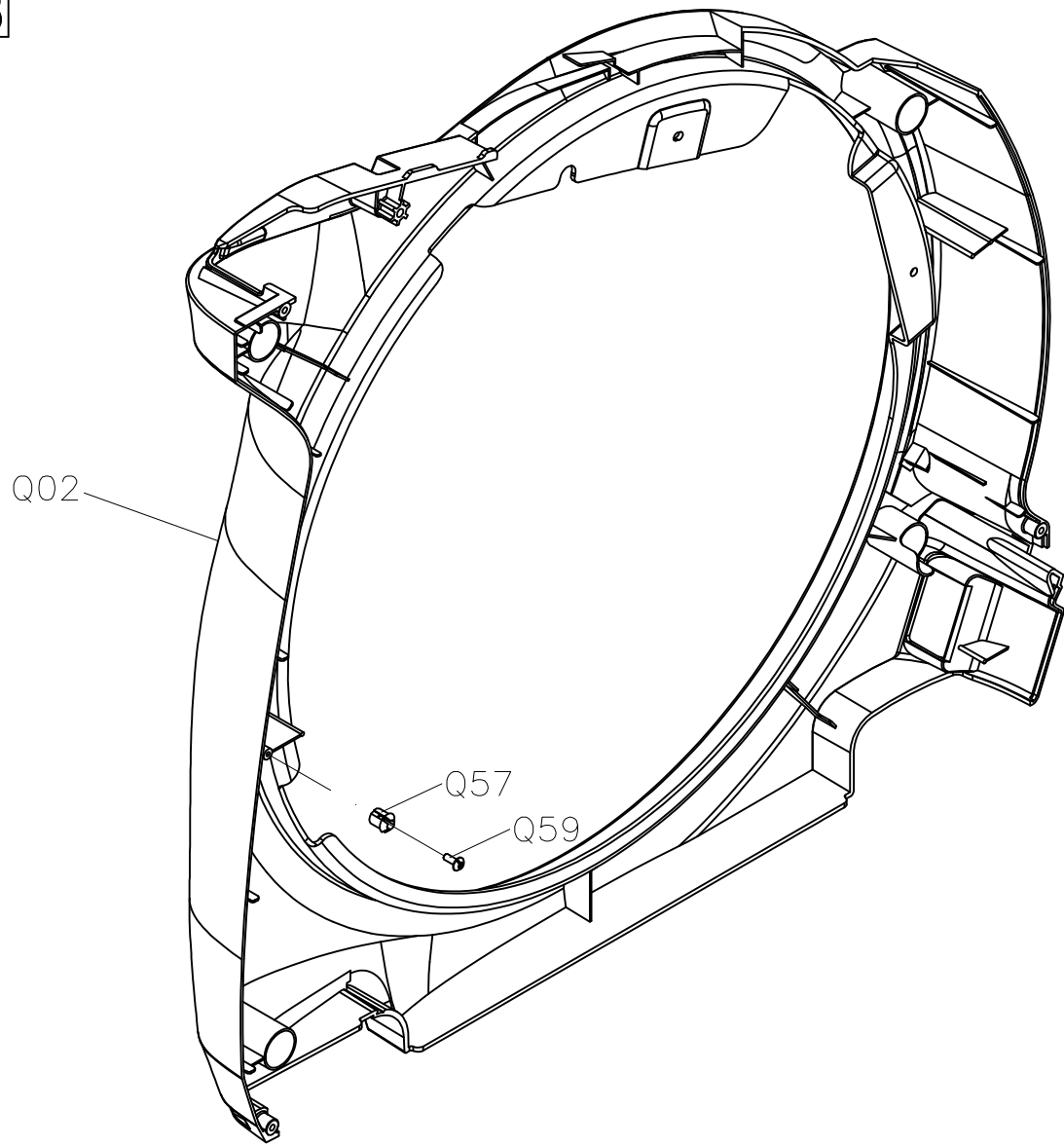
DRAWING NO	EP78-AR11		
PART NAME	PULLEY SET		
PART NO	0000089635 <small>REV</small> B		
APPROVE	tsaijw	DATE	112910



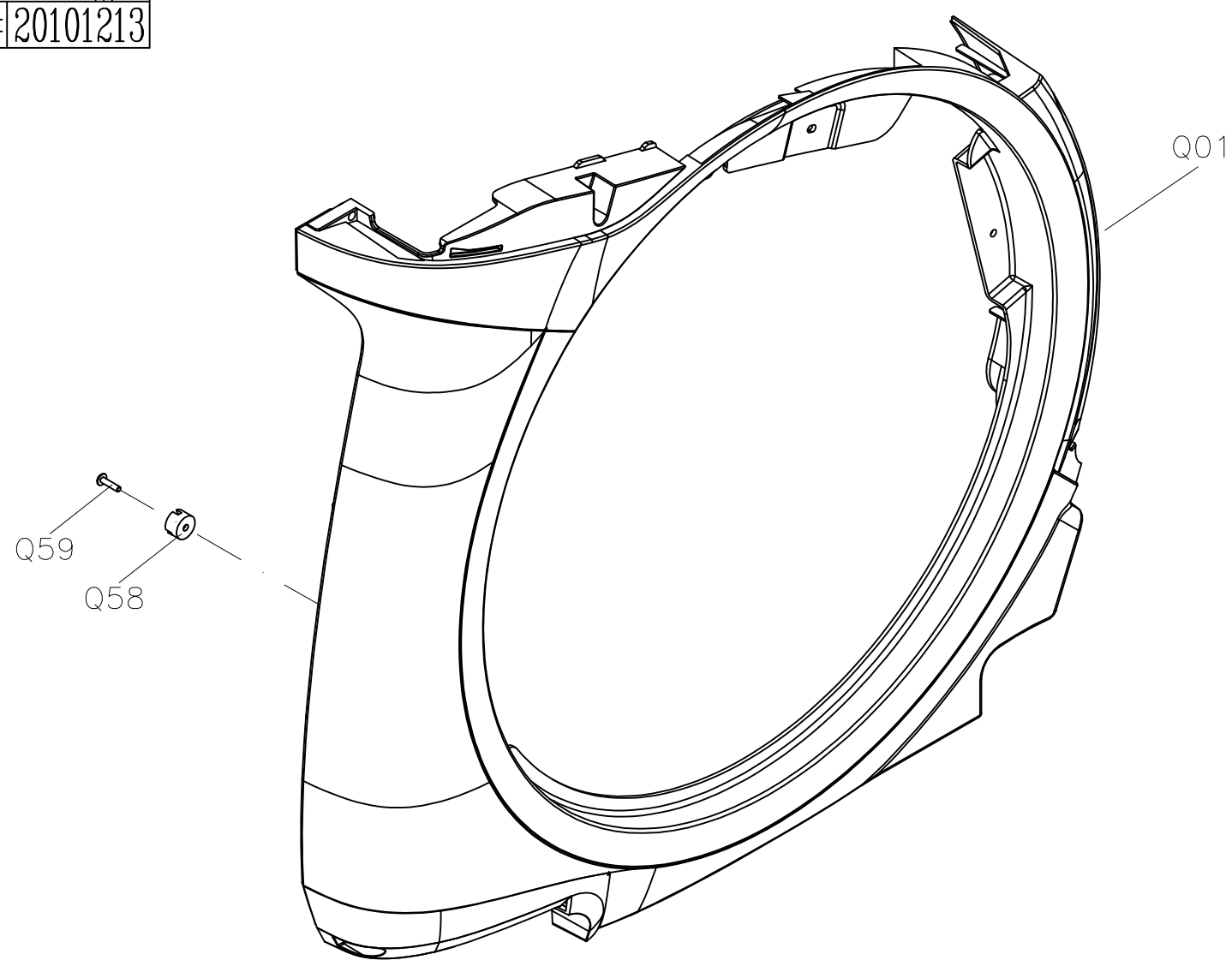
DRAWING NO	EP304-AG15		
PART NAME	ROTATION HOUSING ASSEMBLY SET		
PART NO	0000094951		C
APPROVE	S.T.C	DATE	20140528



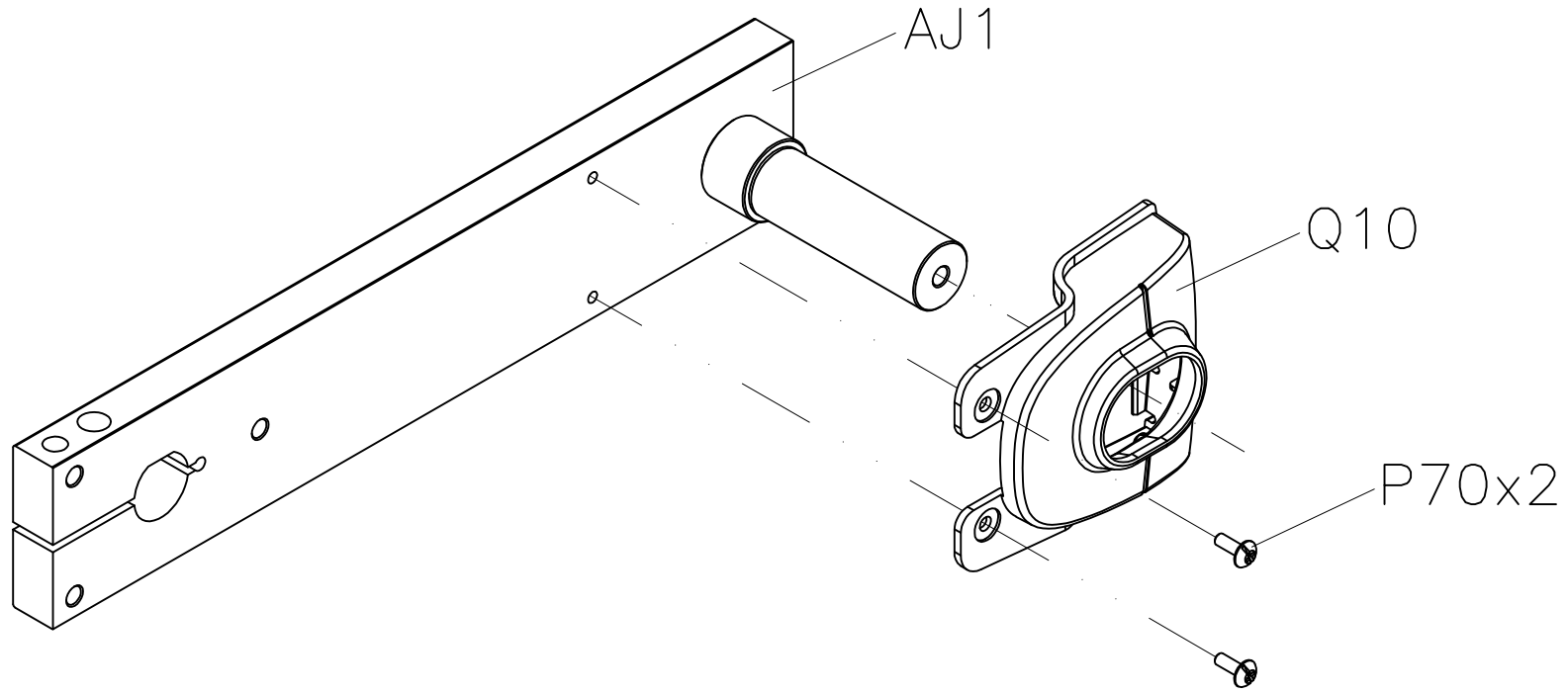
DRAWING NO	EP304-AQ11		
PART NAME	LEFT SIDE COVER SET		
PART NO	0000095068  A		
APPROVE	tsaijw	DATE	20101213



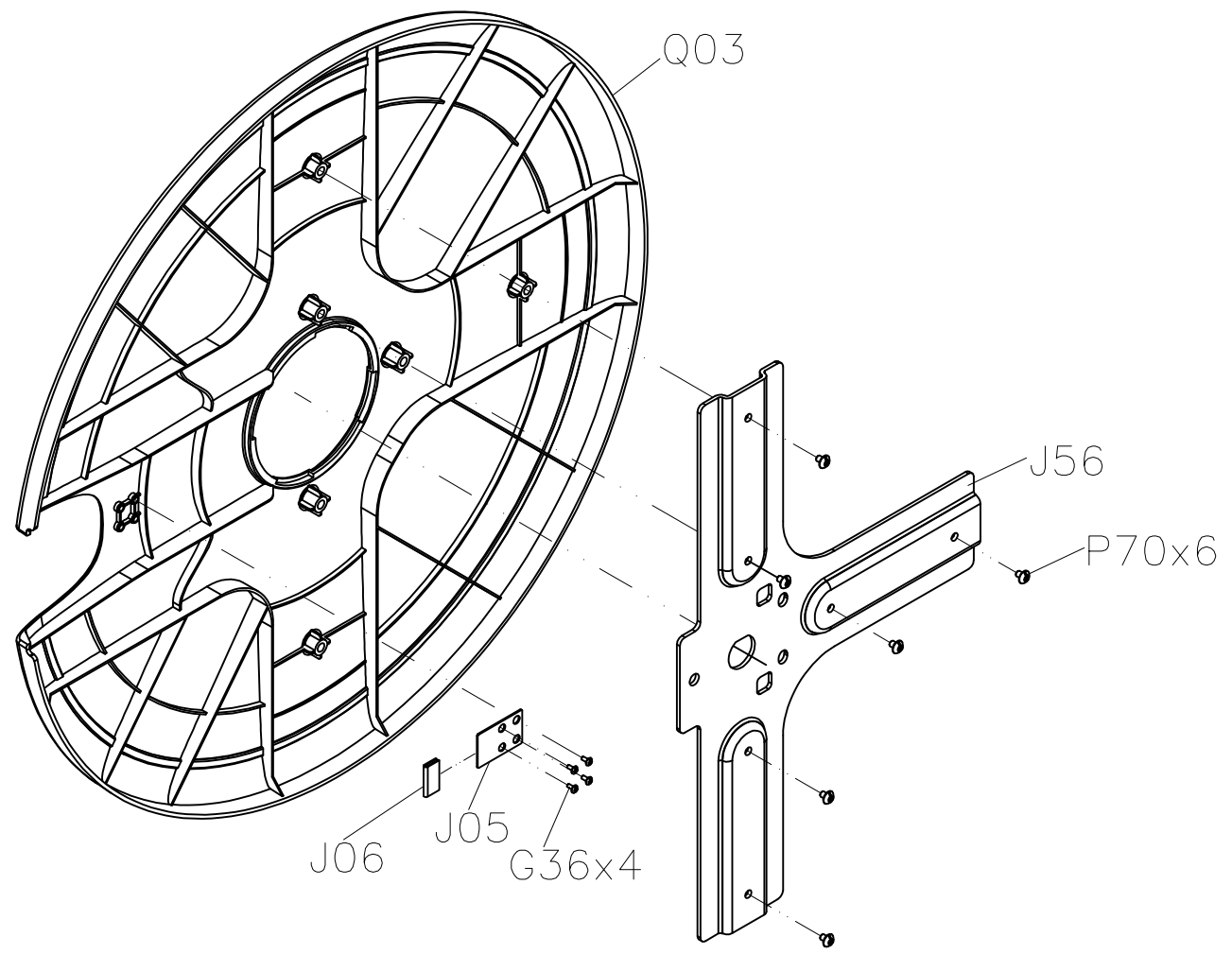
DRAWING NO	EP304-AQ12		
PART NAME	RIGHT SIDE COVER SET		
PART NO	0000095071  A		
APPROVE	tsaijw	DATE	20101213



DRAWING NO	EP304-AJ12		
PART NAME	CRANK SET		
PART NO	0000095121REV B		
APPROVE	Tsaijw	DATE	20110909



DRAWING NO	EP304-AJ13		
PART NAME	CRANK ROUND DISK SET		
PART NO	1000206970  B		
APPROVE	MAX	DATE	20110630



Q03

J56

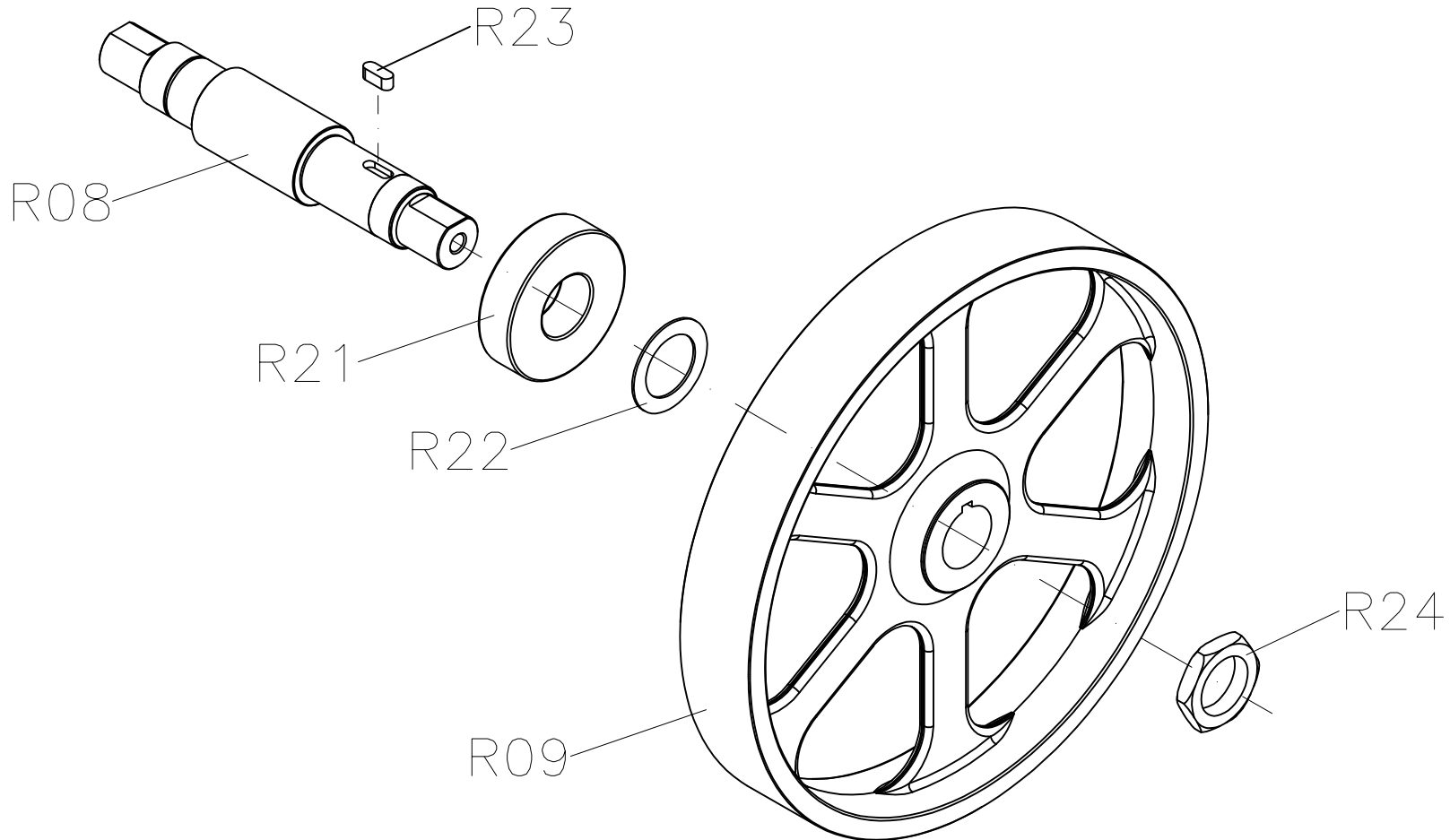
P70x6

J06

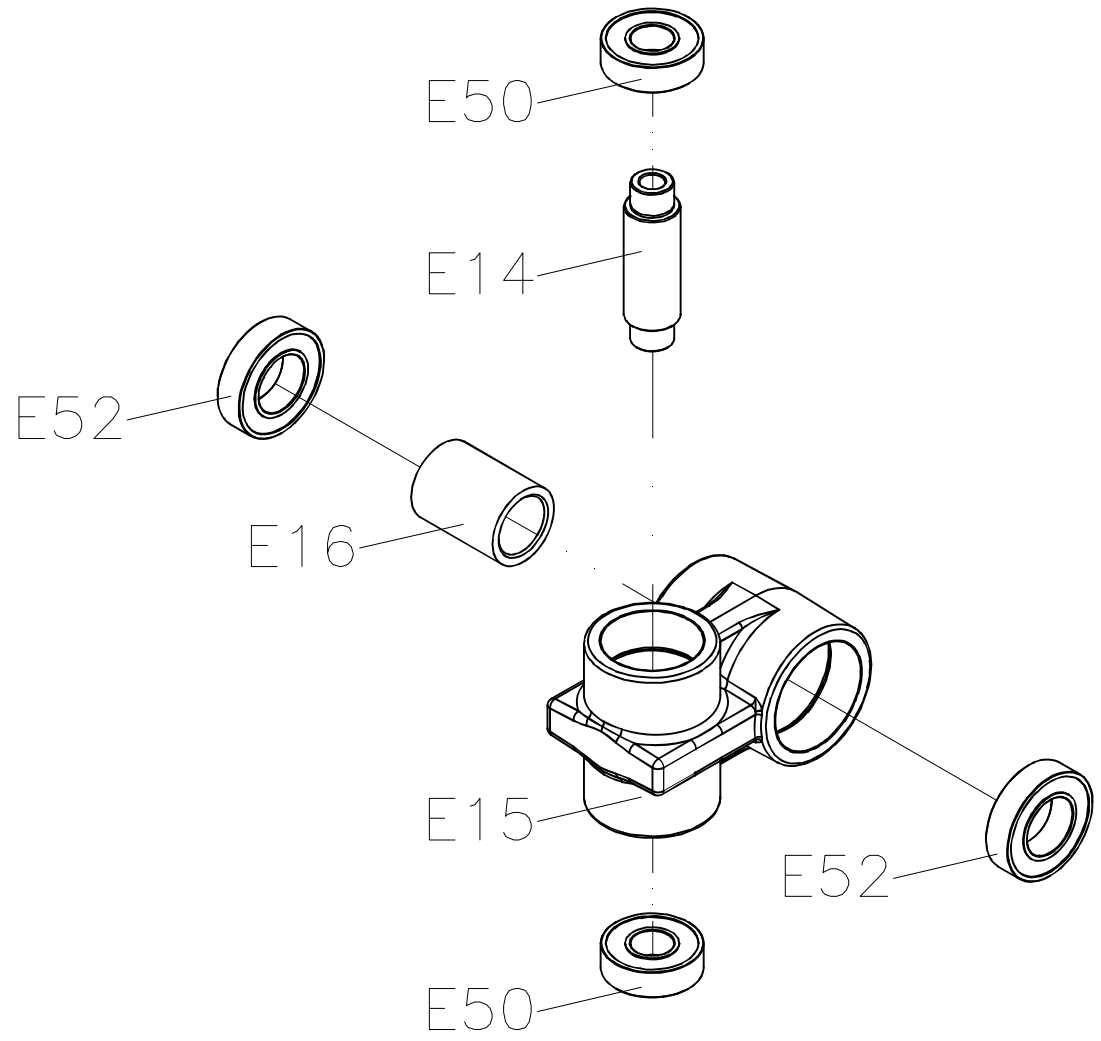
J05

G36x4

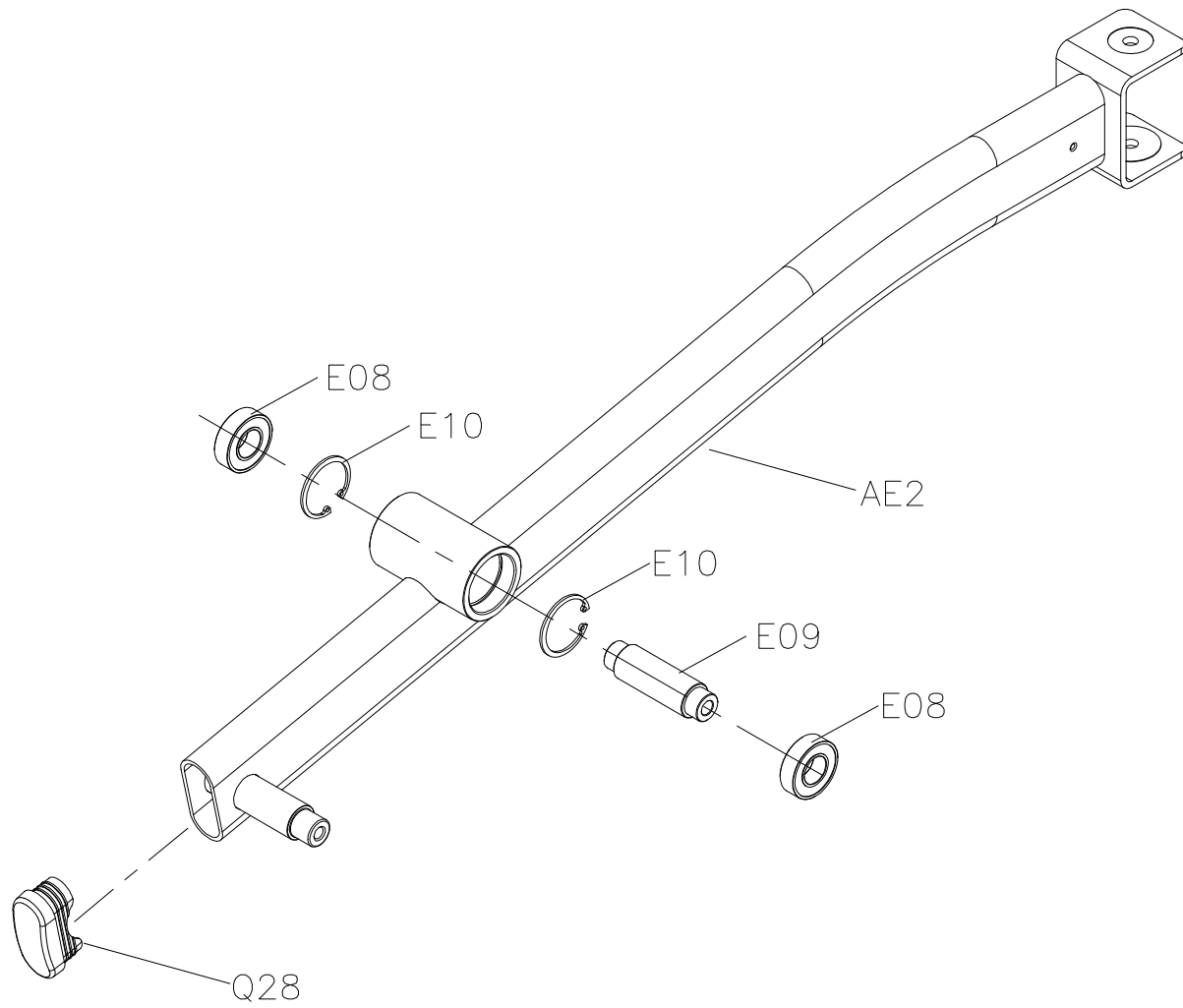
DRAWING NO	EP304-AR5		
PART NAME	DRIVE AXLE SET		
PART NO	1000206975 R/A		
APPROVE	MAX	DATE	20101210




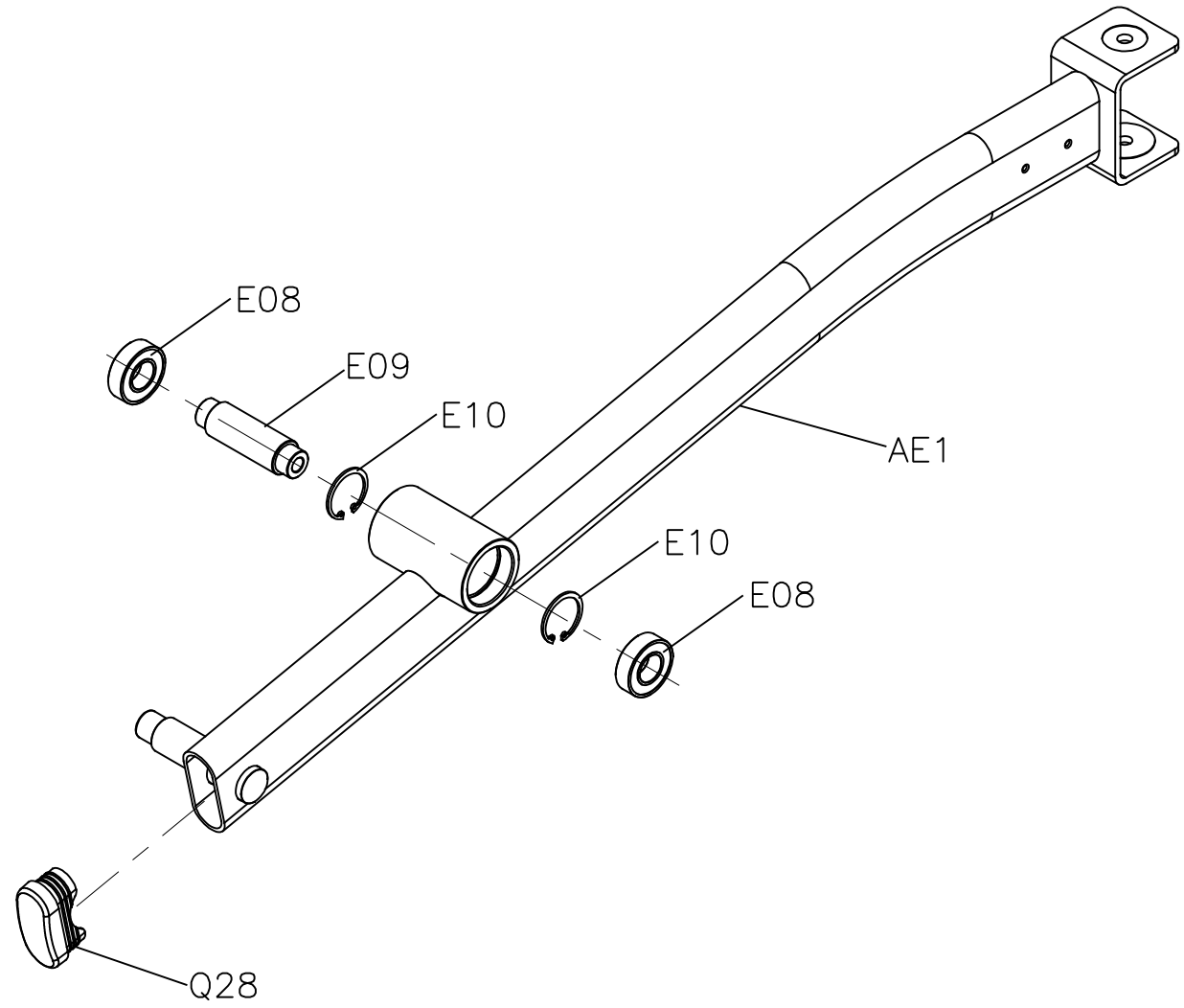
DRAWING NO	EP304B-AE5	
PART NAME	Crank Sleeve Set	
PART NO	1000347355 <sup>R</sup> <sub>E</sub> B	
APPROVE	JARVIS	DATE 041114



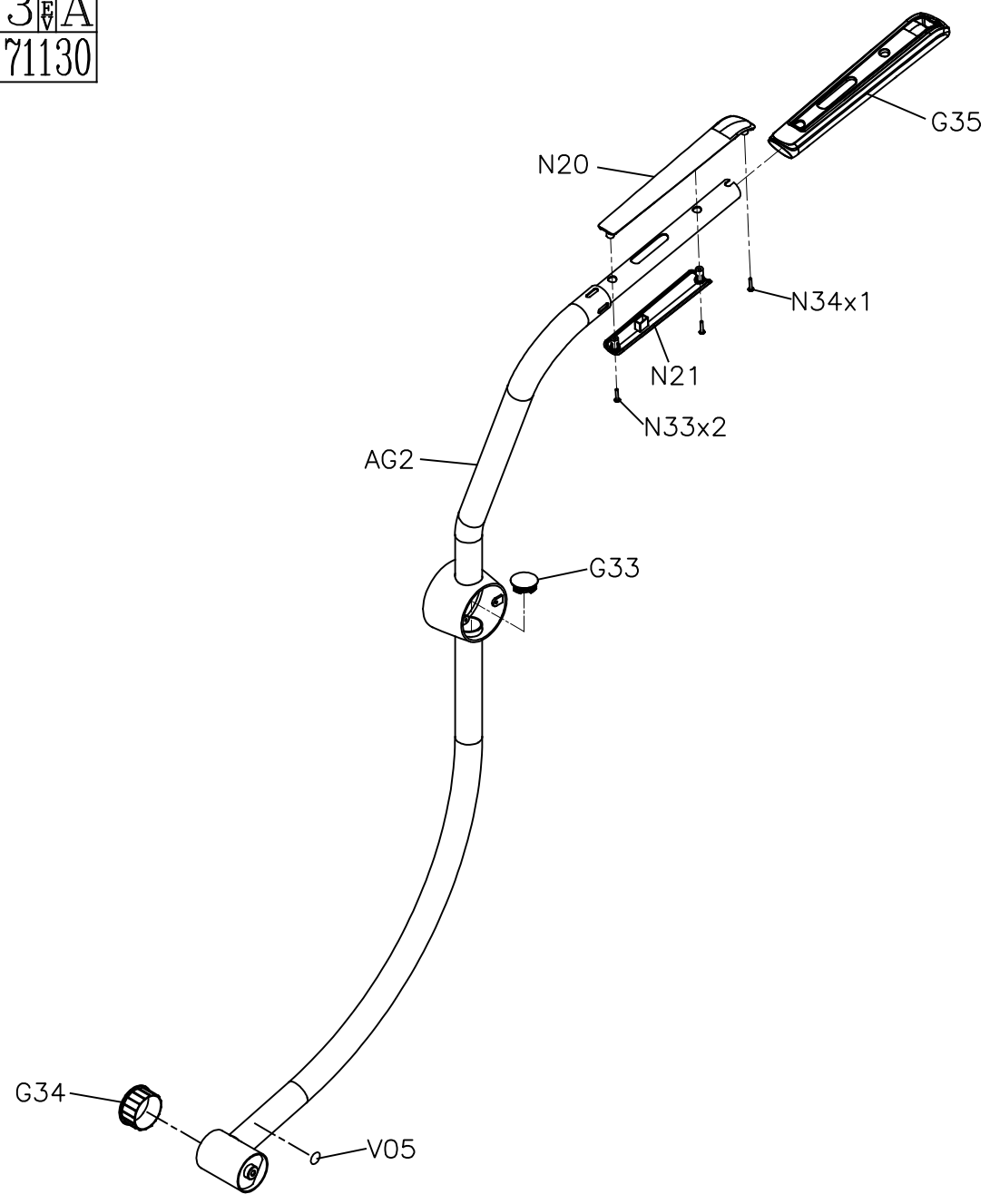
DRAWING NO	EP304M-AE11		
PART NAME	Pedal arm set;Right		
PART NO	1000417427		
APPROVE	AMELIE	DATE	20171130



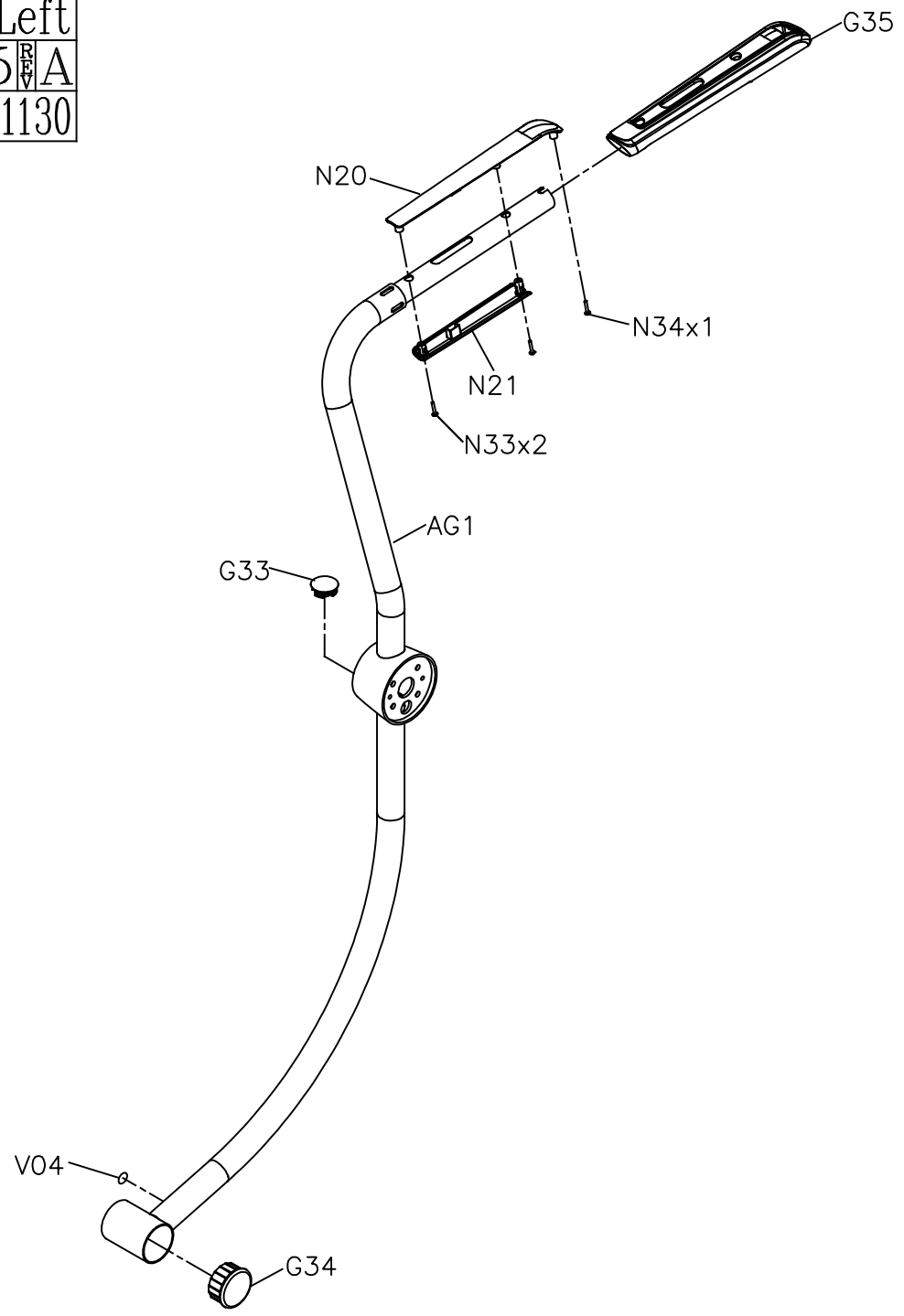
DRAWING NO	EP304M-AE12		
PART NAME	Pedal arm set;Left		
PART NO	1000417429  A		
APPROVE	AMELIE	DATE	20171130



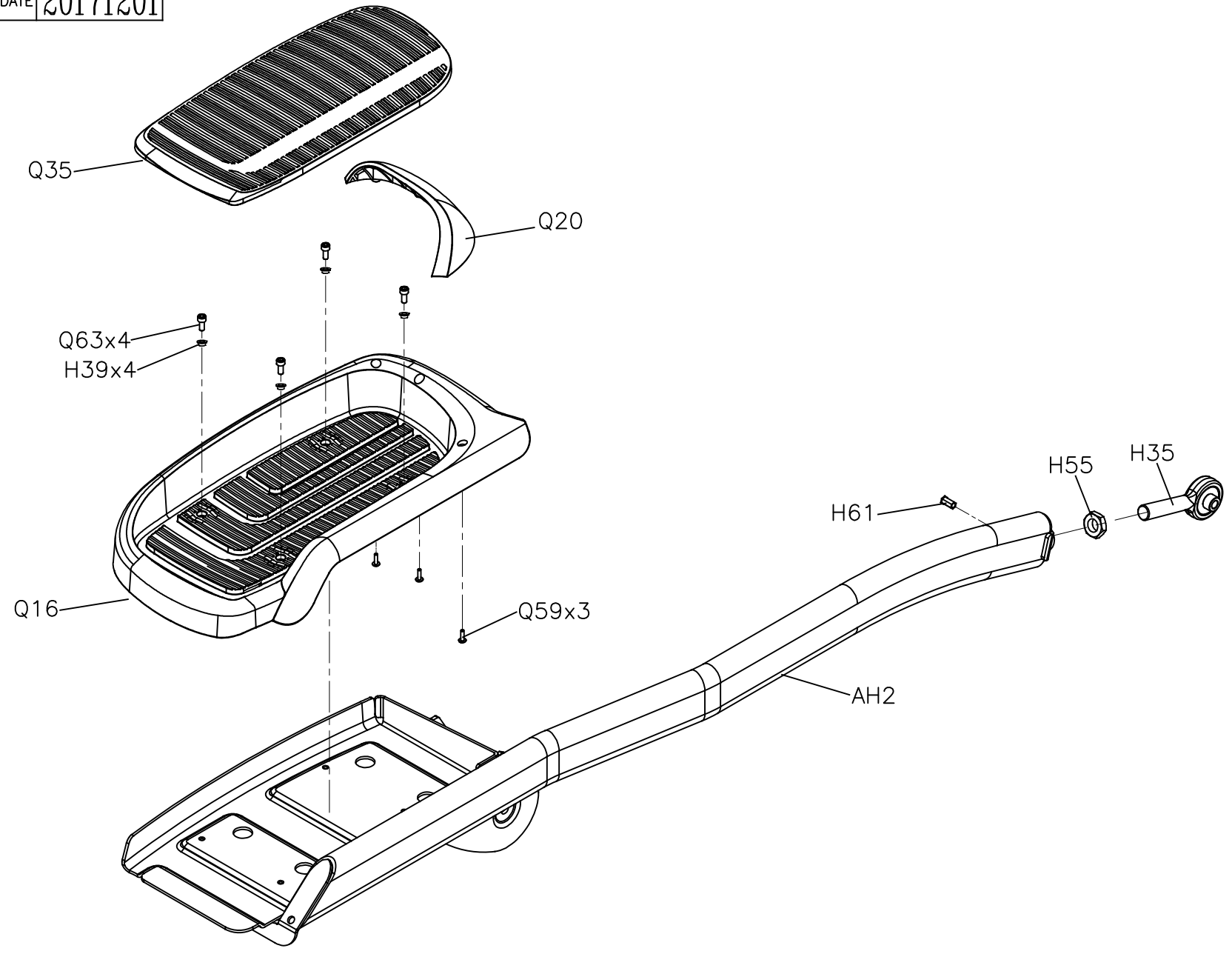
DRAWING NO	EP304M-AG11		
PART NAME	Arm Rest set;Right		
PART NO	1000417433 A		
APPROVE	AMELIE	DATE	20171130




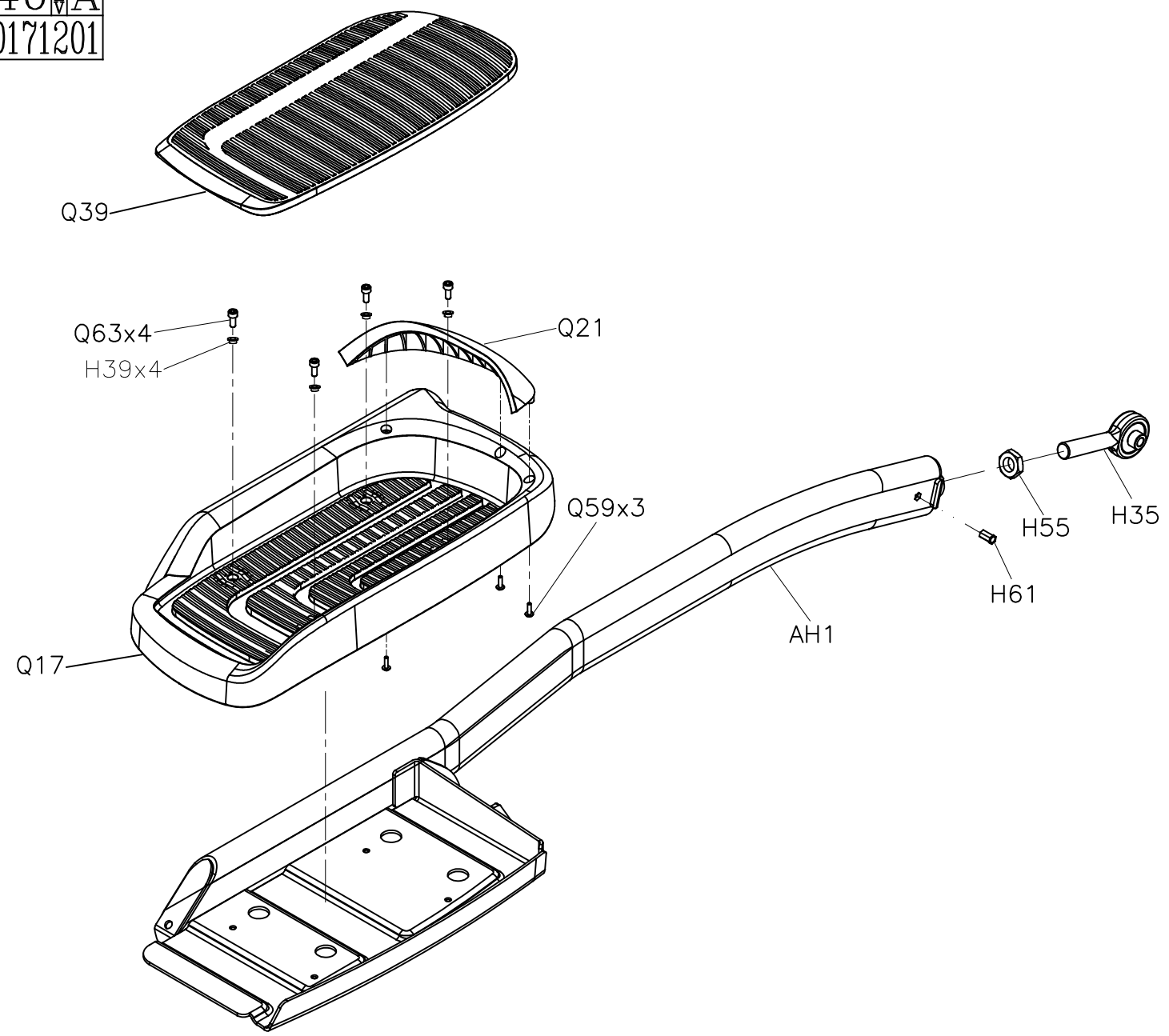
DRAWING NO	EP304M-AG12		
PART NAME	Arm Rest set;Left		
PART NO	1000417435		A
APPROVE	AMELIE	DATE	20171130



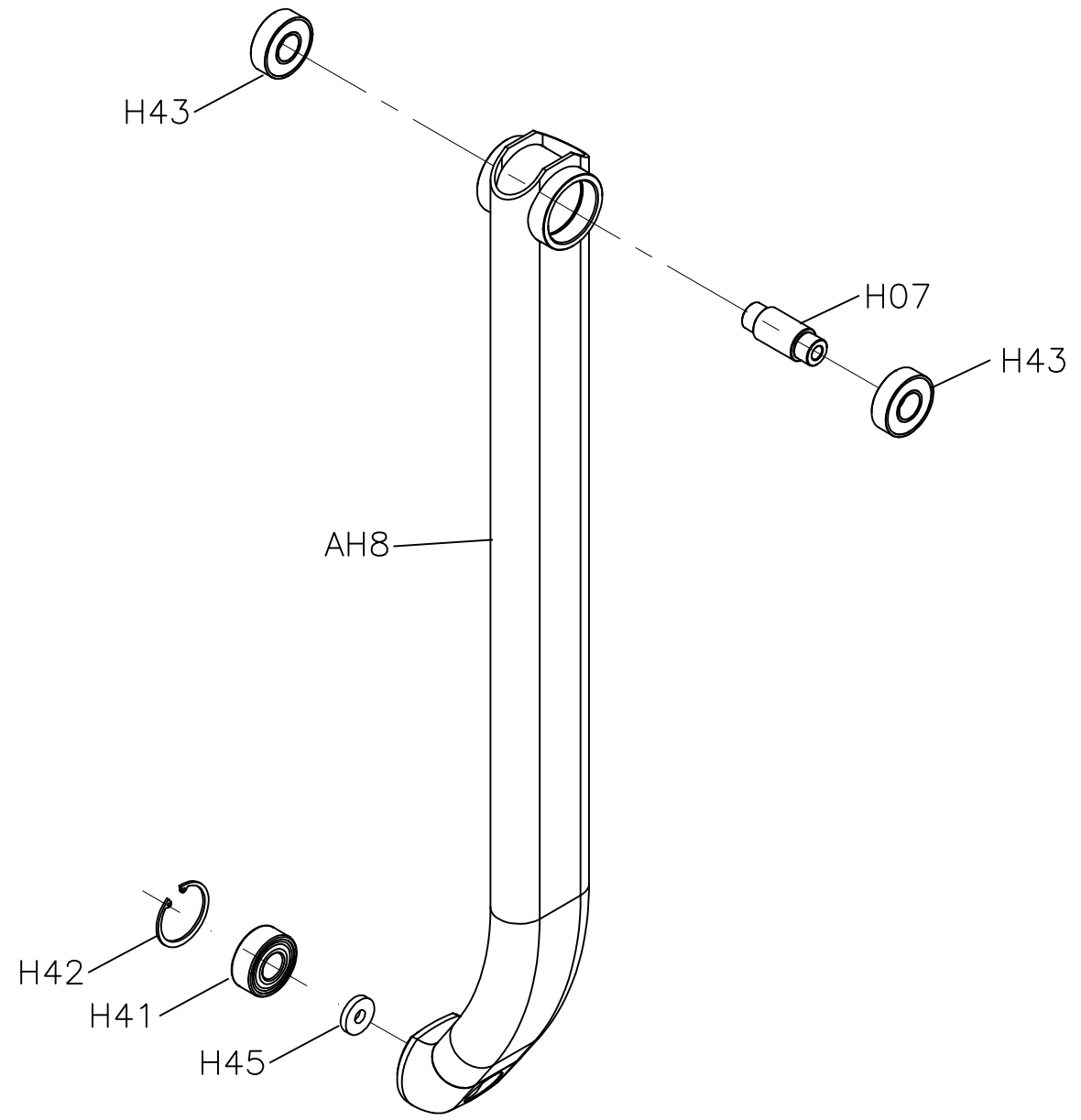
DRAWING NO	EP304M-AH21		
PART NAME	Link Arm;Right		
PART NO	1000417438 A		
APPROVE	AMELIE	DATE	20171201



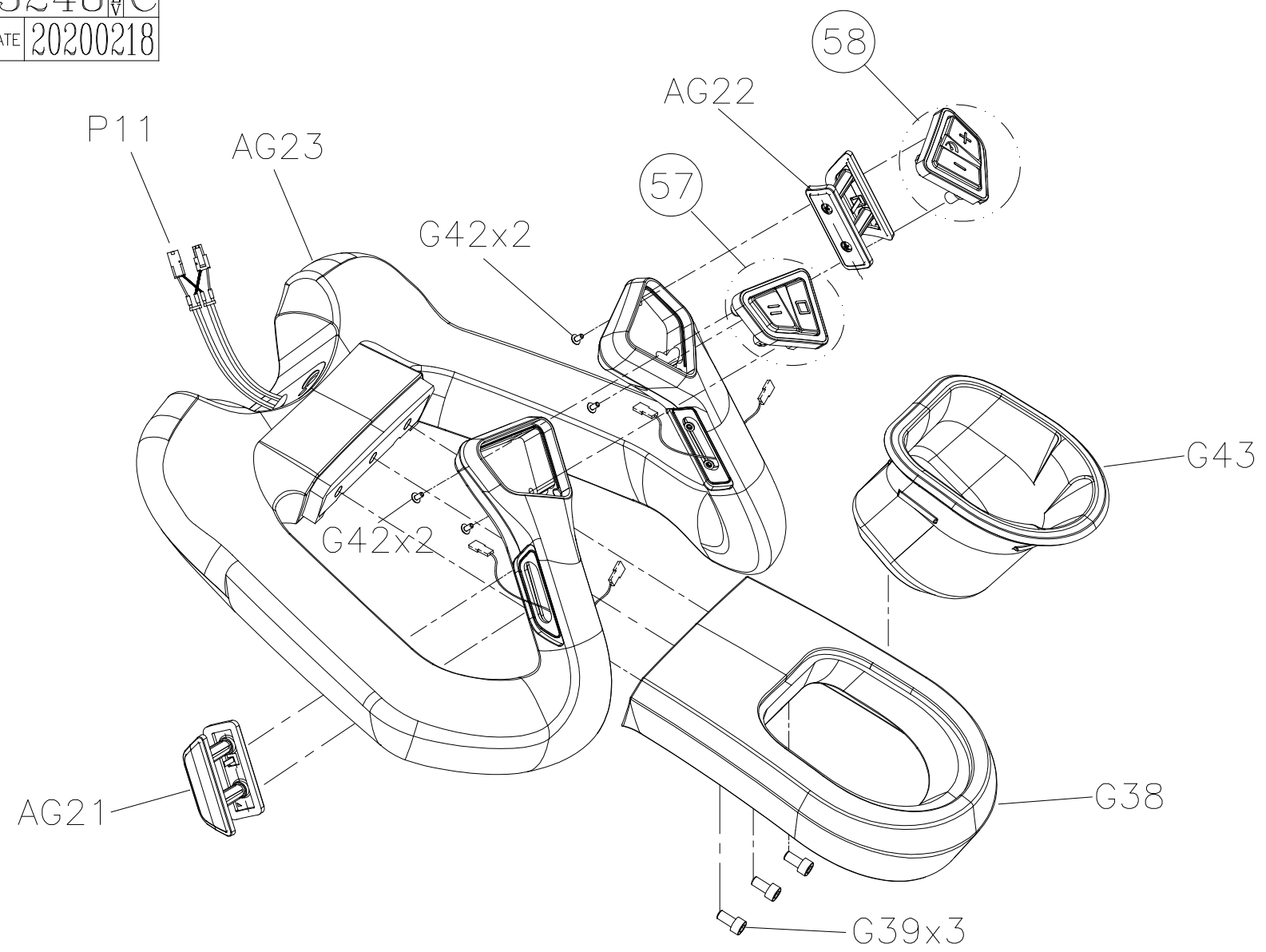
DRAWING NO	EP304M-AH22		
PART NAME	Link Arm;Left		
PART NO	1000417440  A		
APPROVE	AMELIE	DATE	20171201



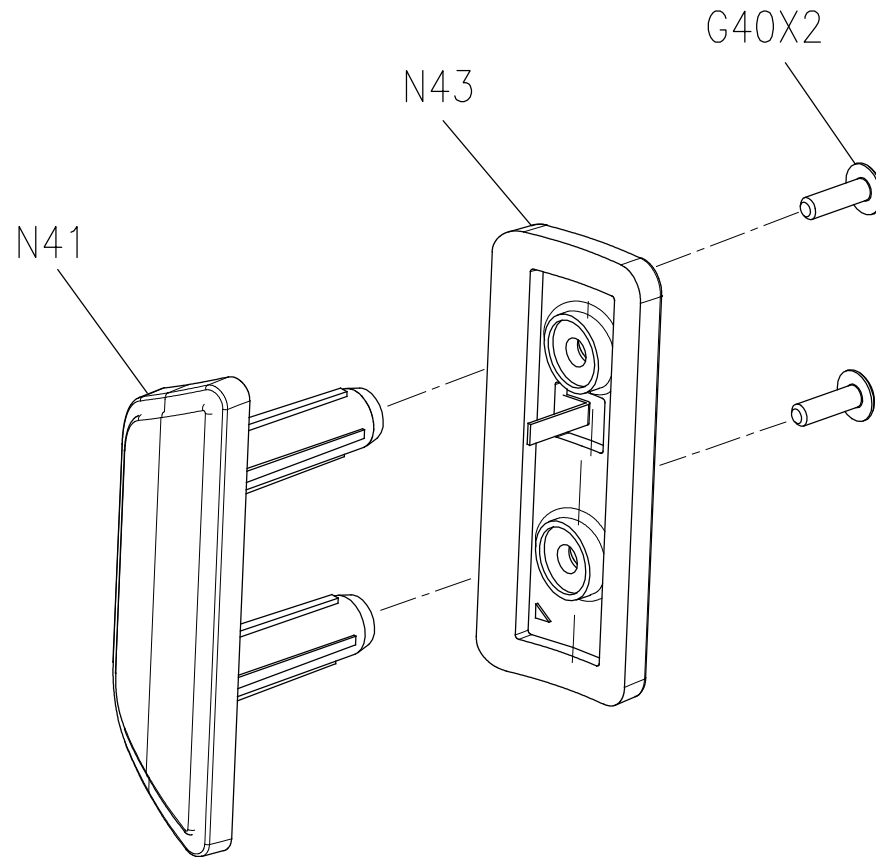
DRAWING NO	EP304M-AH25		
PART NAME	Swing Arm Set		
PART NO	1000417448  A		
APPROVE	AMELIE	DATE	20171201



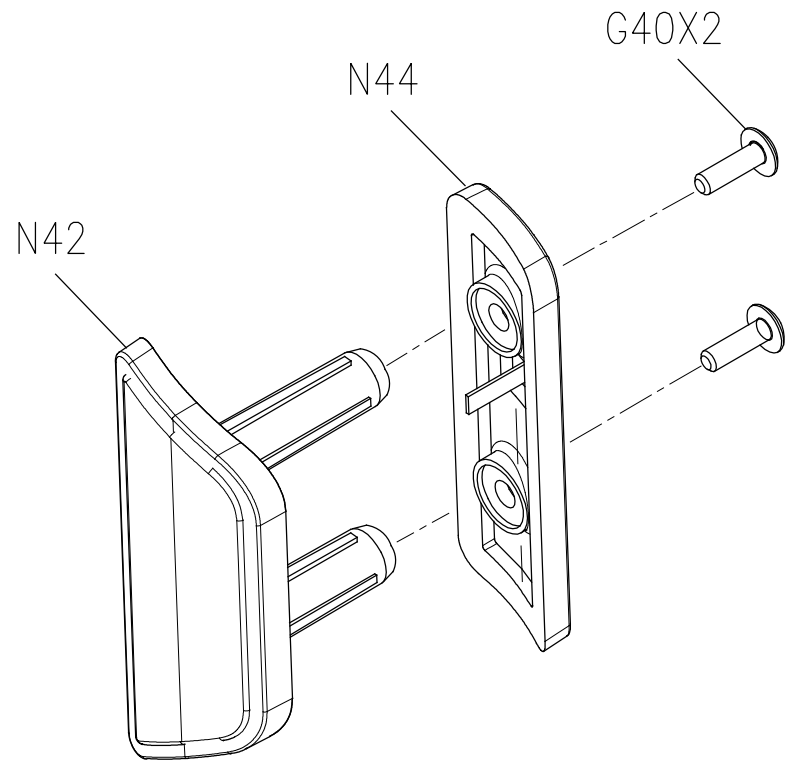
DRAWING NO	EP629-AG13		
PART NAME	Arm Rest set;front		
PART NO	1000433248	REV	C
APPROVE	JIMMY	DATE	20200218



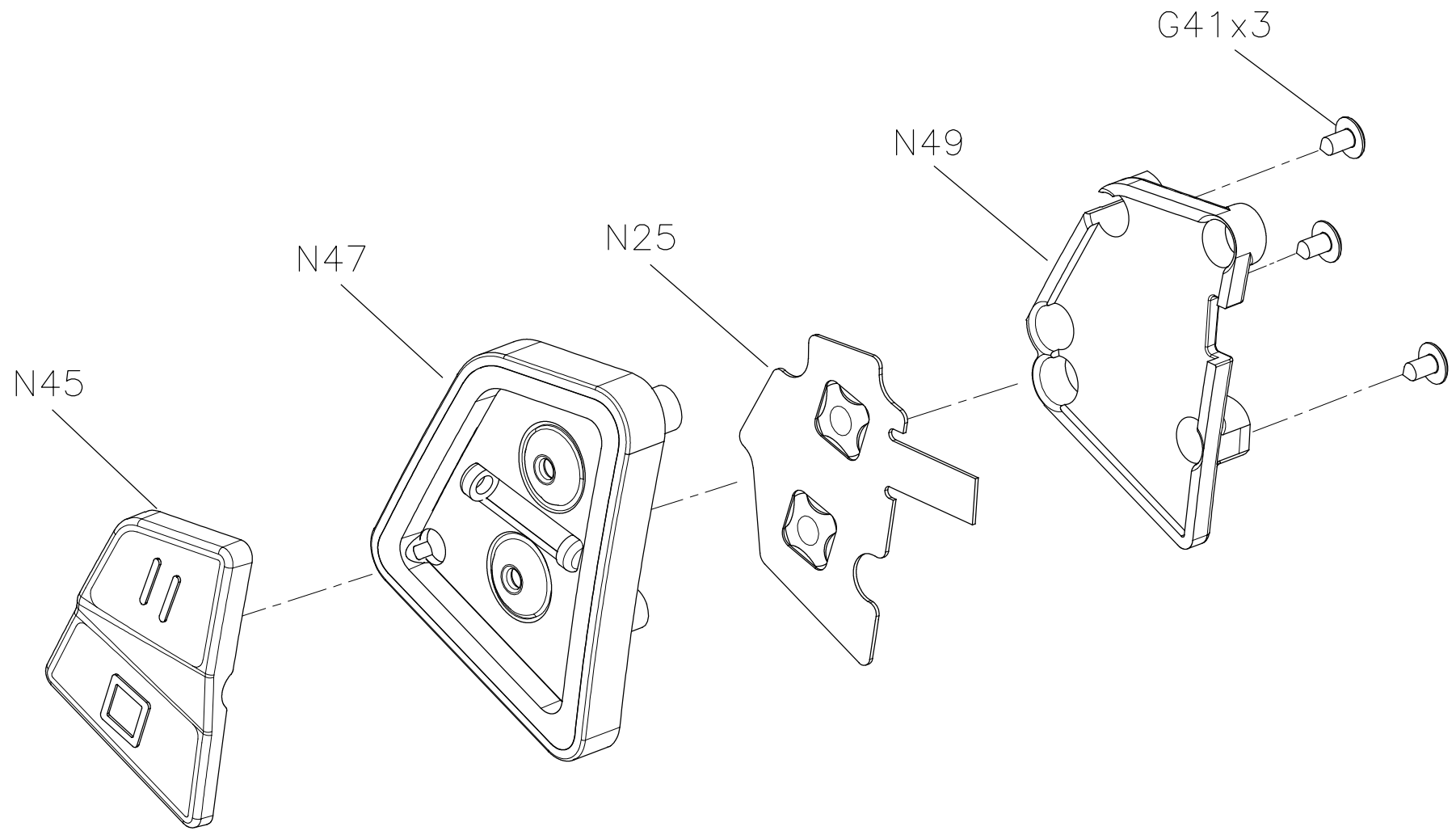
DRAWING NO	EP630-AG21		
PART NAME	Pulse Sensor Set;Grip;left		
PART NO	1000433330	REV	B
APPROVE	David	DATE	190508



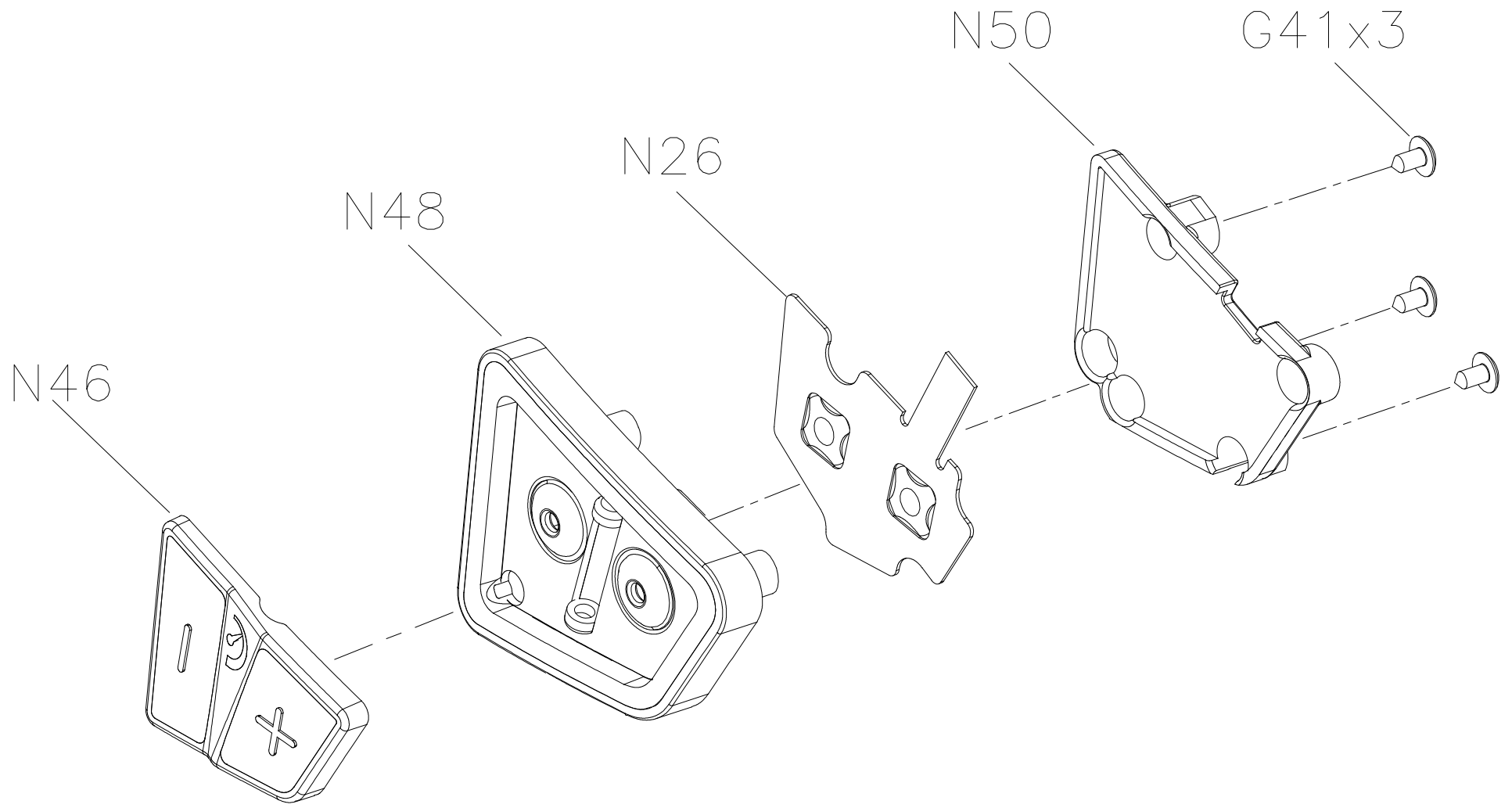
DRAWING NO	EP630-AG22		
PART NAME	Pulse Sensor Set;Grip;right		
PART NO	1000433331 B		
APPROVE	David	DATE	190508



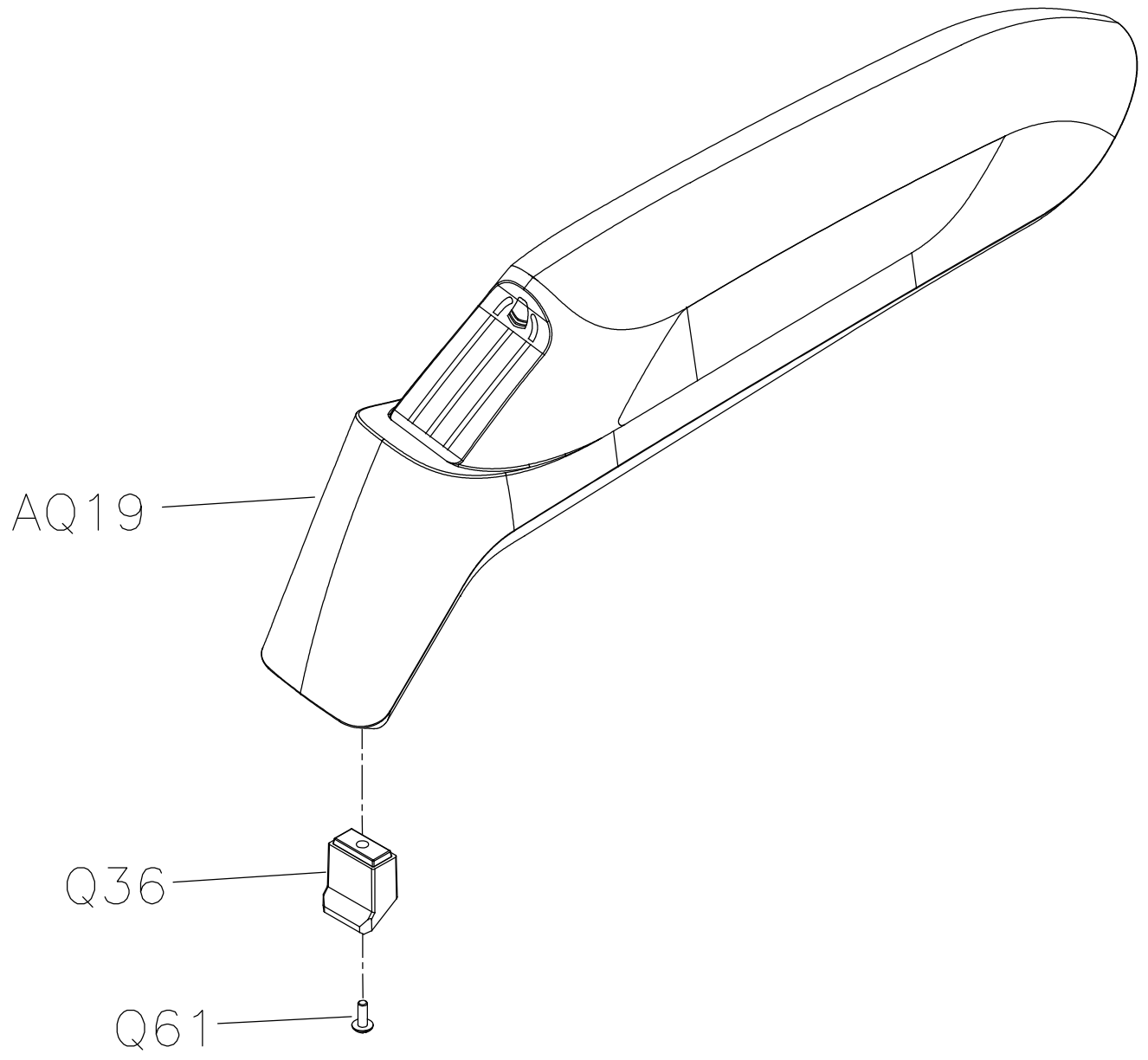
DRAWING NO	EP629-AG7		
PART NAME	Hand Pulse Set;Quickly Key;left		
PART NO	1000433342	REV	B
APPROVE	David	DATE	190508




DRAWING NO	EP629-AG8		
PART NAME	Hand Pulse Set;Quickly Key,right		
PART NO	1000433343REV B		
APPROVE	JIMMY	DATE	191210

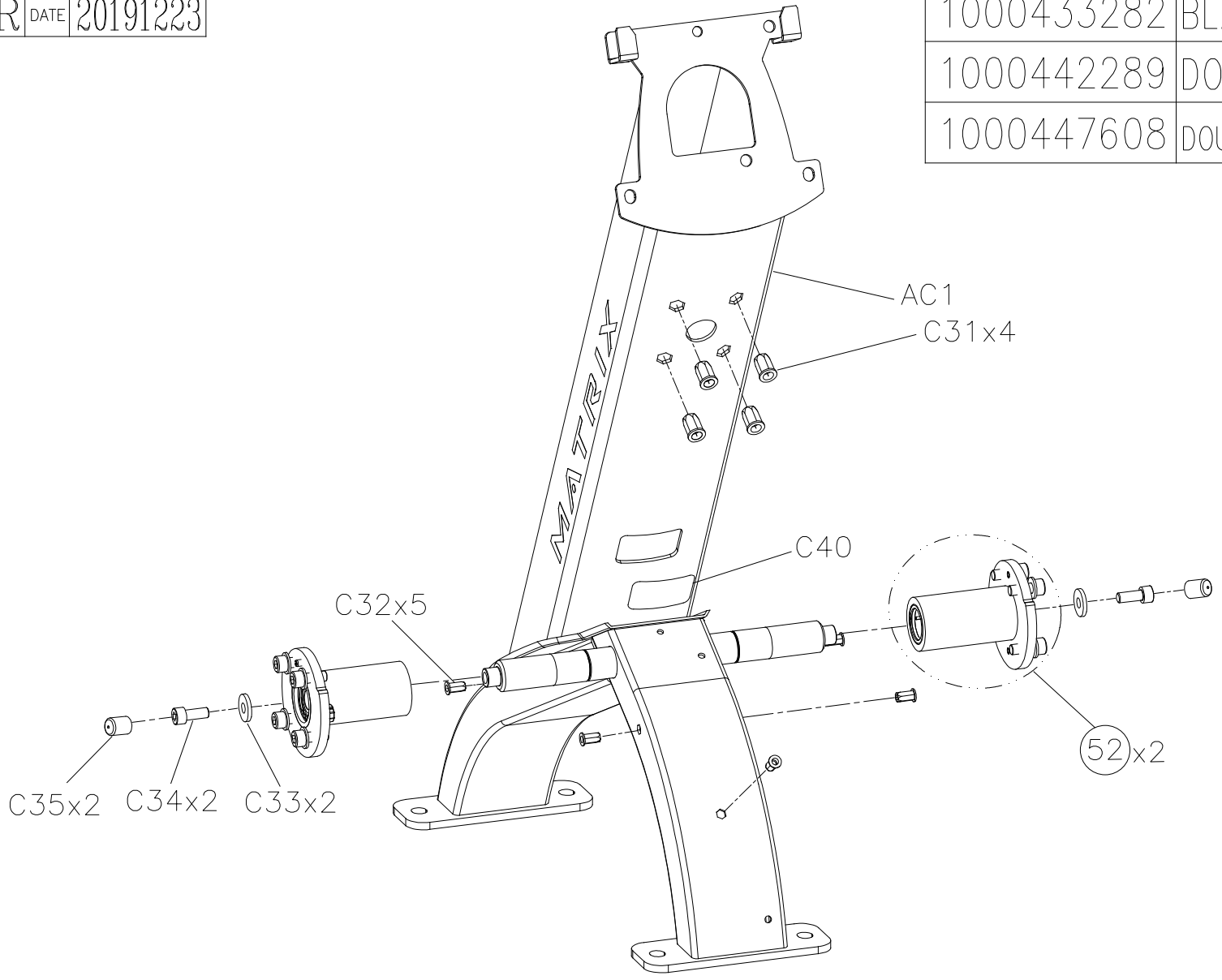


DRAWING NO	EP629-AQ21		
PART NAME	shield set;handlebar;Big		
PART NO	1000433364	REV	C
APPROVE	JIMMY	DATE	20191008



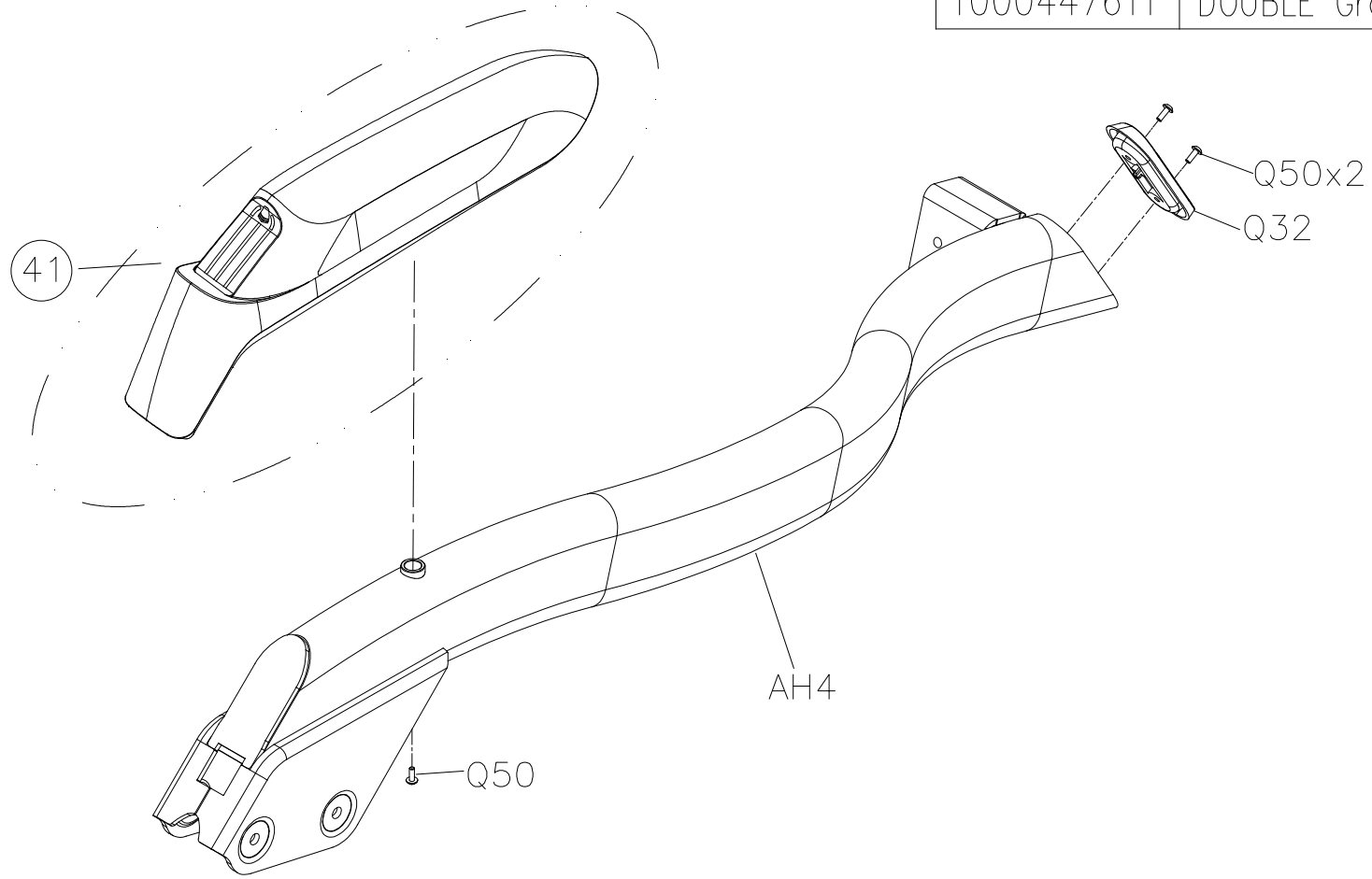
DRAWING NO	EP629-AC11		
PART NAME	CONSOLE MAST SET		
PART NO	See attached chart  D		
APPROVE	AMBER	DATE	20191223


SAP No.	Description
1000433240	SLIVER
1000433282	BLACK MATTE
1000442289	DOUBLE BLACK MATTE
1000447608	DOUBLE Graphite Grey 202020



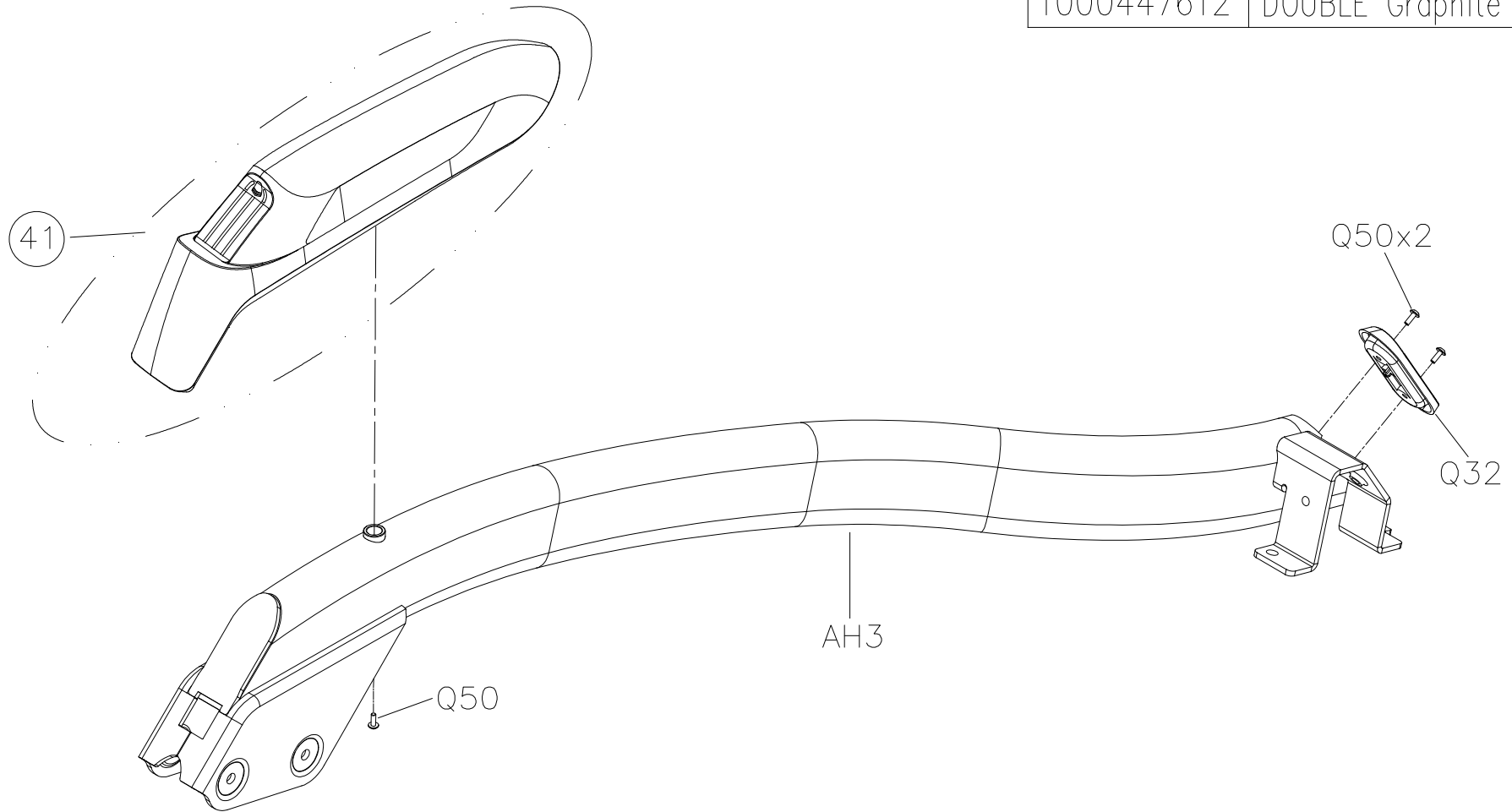
DRAWING NO	EP629-AH23		
PART NAME	Connection Tube;right		
PART NO	See attached chart		
APPROVE	Amber	DATE	20191223

SAP No.	Description
1000433362	SLIVER
1000433530	BLACK MATTE
1000442293	DOUBLE BLACK MATTE
1000447611	DOUBLE Graphite Grey 202020

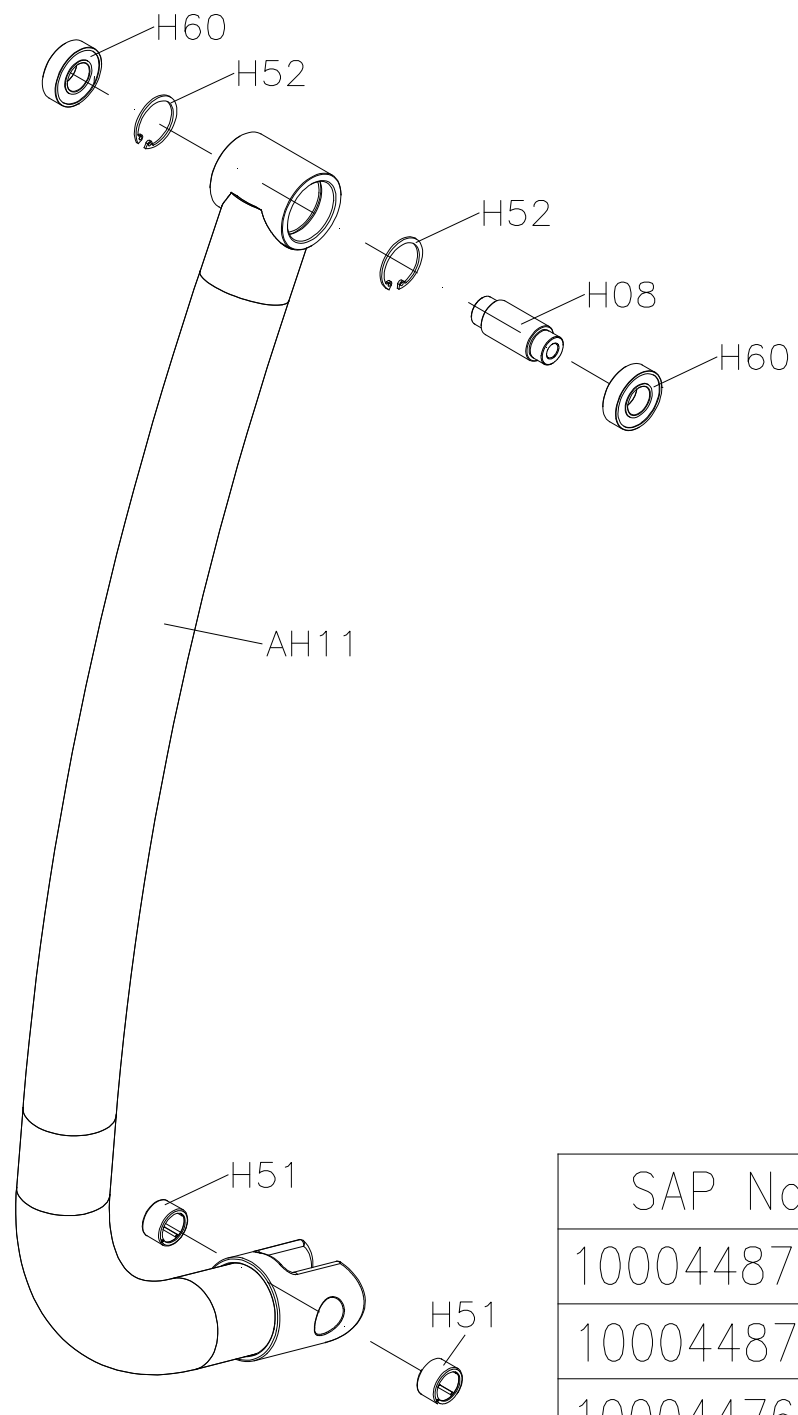


DRAWING NO	EP629-AH24		
PART NAME	Connection Tube;left		
PART NO	See attached chart  E		
APPROVE	Amber	DATE	20191223

SAP No.	Description
1000433363	SLIVER
1000433531	BLACK MATTE
1000442294	DOUBLE BLACK MATTE
1000447612	DOUBLE Graphite Grey 202020



DRAWING NO	EP629-AH26		
PART NAME	ADJUSTMENT ARM SET		
PART NO	See attached chart <sup>R</sup> <sub>V</sub> B		
APPROVE	Amber	DATE	20191227



SAP No.	Description
1000448717	SILVER
1000448720	DOUBLE BLACK MATTE
1000447622	DOUBLE GRAPHITE GREY 202020