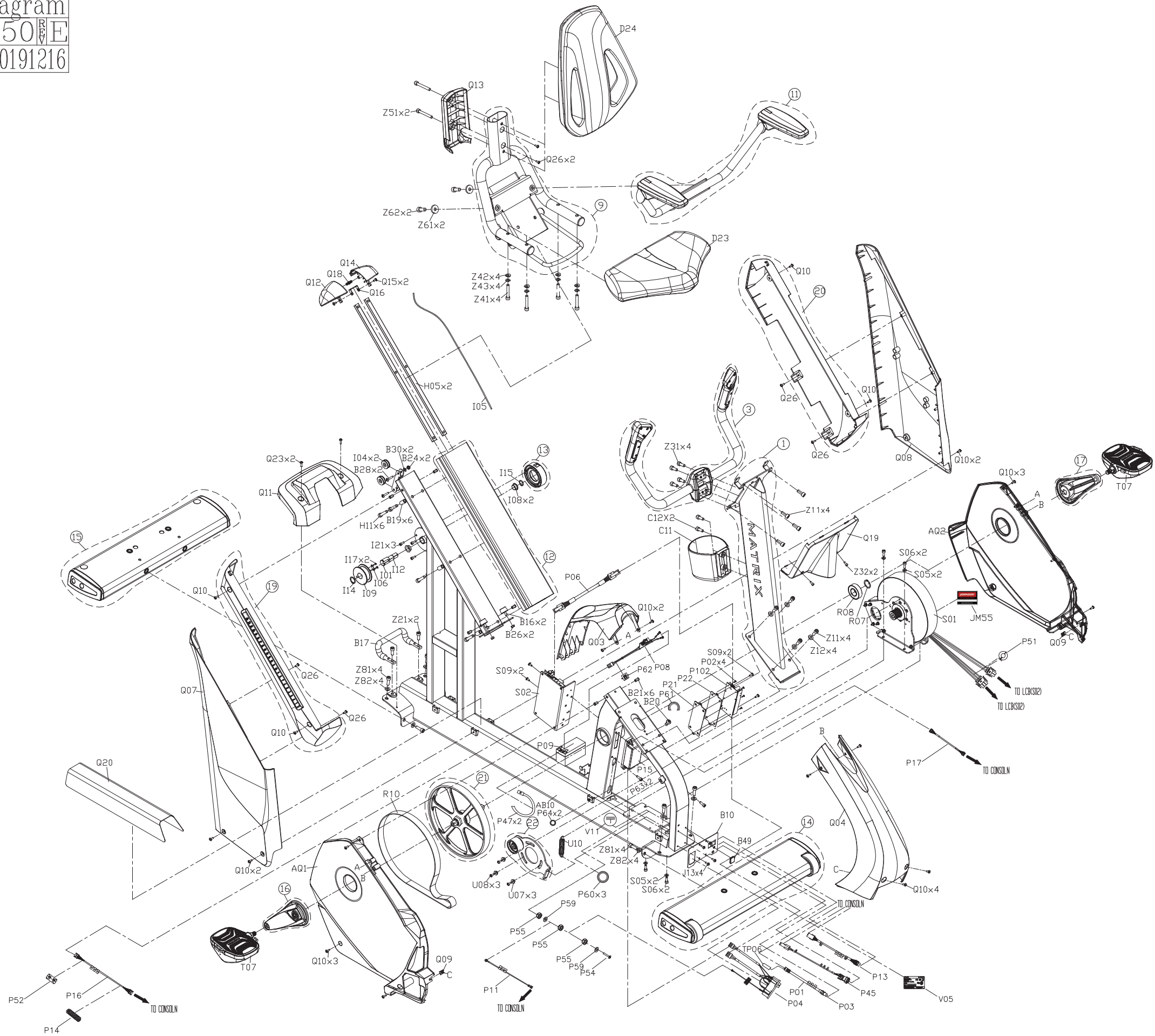
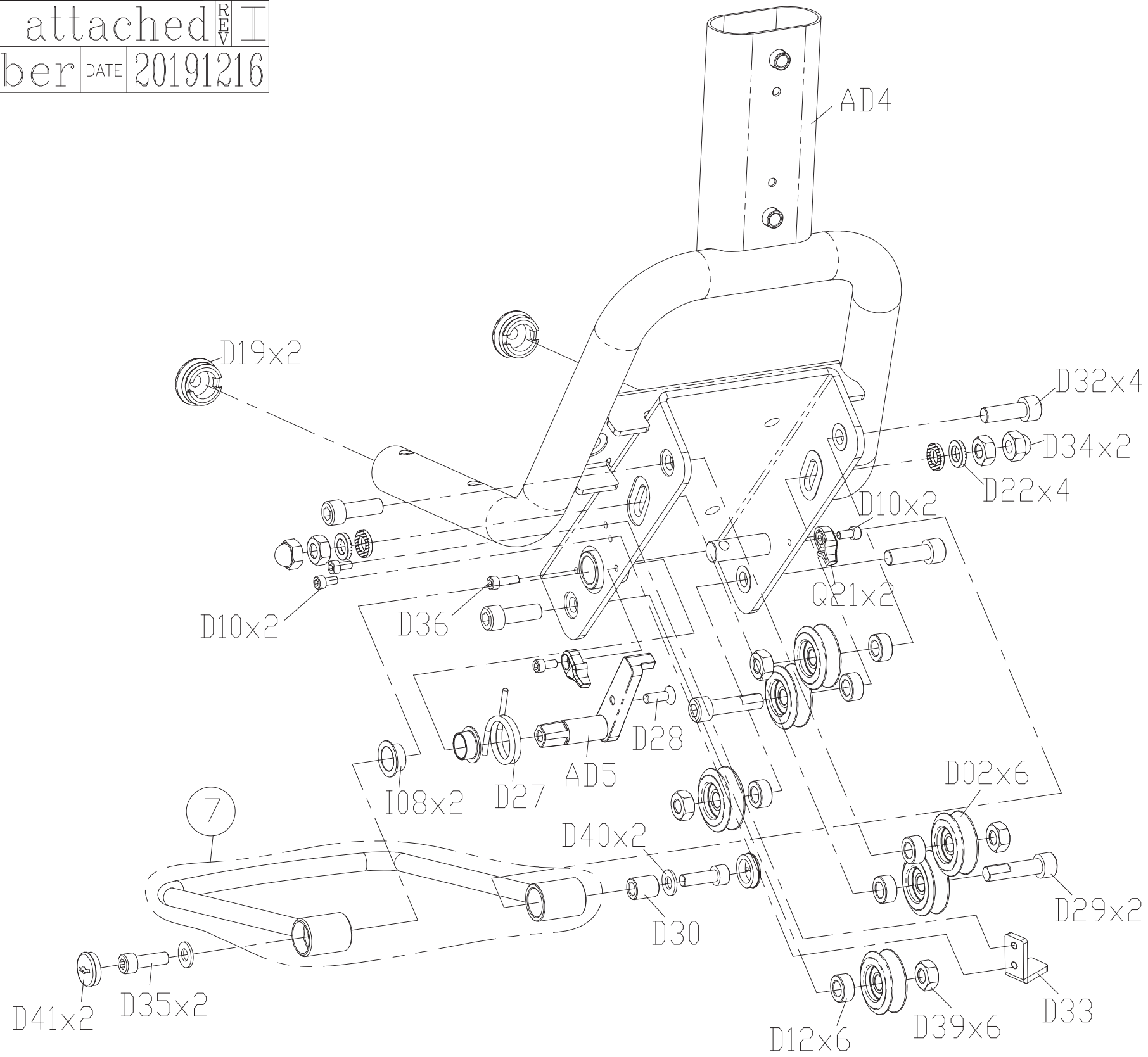


DRAWING NO	CB96-A04		
PART NAME	Explosive Diagram		
PART NO	1000434650 E		
APPROVE	Amber	DATE	20191216

SAP NO.
MCB0786-00
MCB0787-00
MCB0788-00
MCB0798-00
MCB0799-00

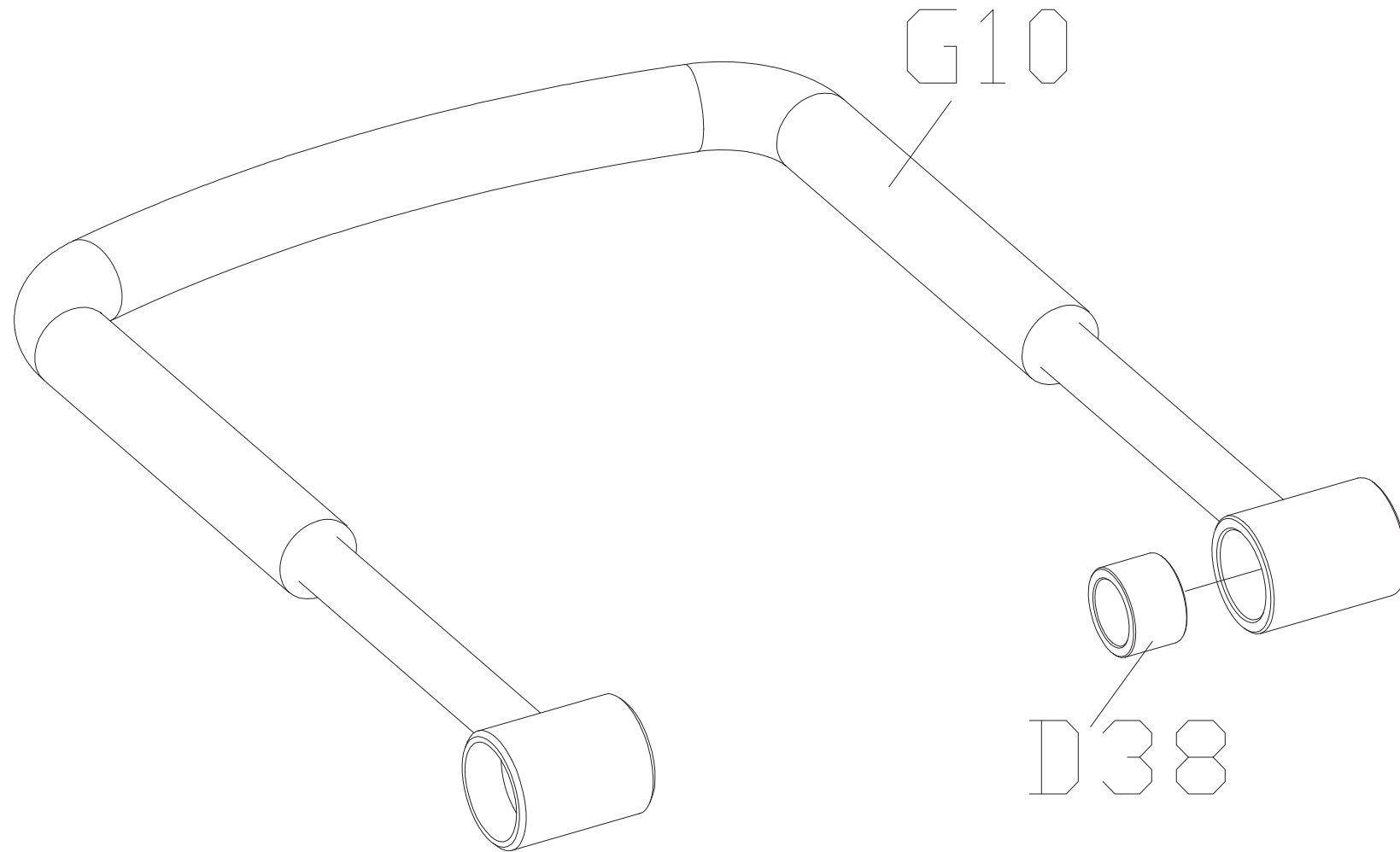


DRAWING NO	CB93-AD6		
PART NAME	Slide Frame Set		
PART NO	See attached 		
APPROVE	Amber	DATE	20191216



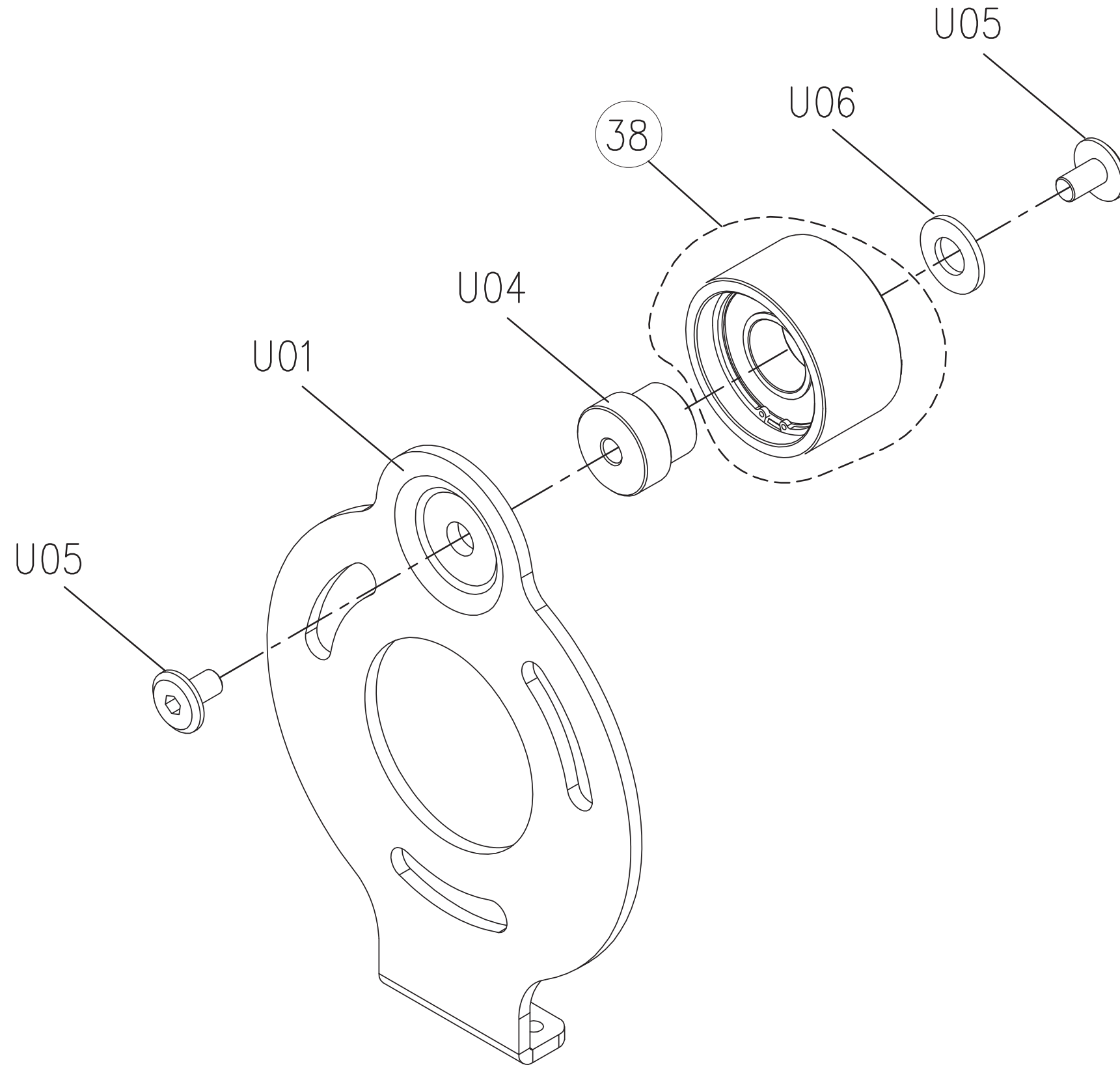
SAP NO.	Description
1000230323	SLIVER
1000345198	Black matte
1000346499	SUN ORANGE
1000447445	Graphite Grey 202020
1000447469	Double Graphite Grey 202020

DRAWING NO	CB93-AG11		
PART NAME	ADJ Handlebar Set		
PART NO	See attached ^R / _E / _V / _D		
APPROVE	Amber	DATE	20140303

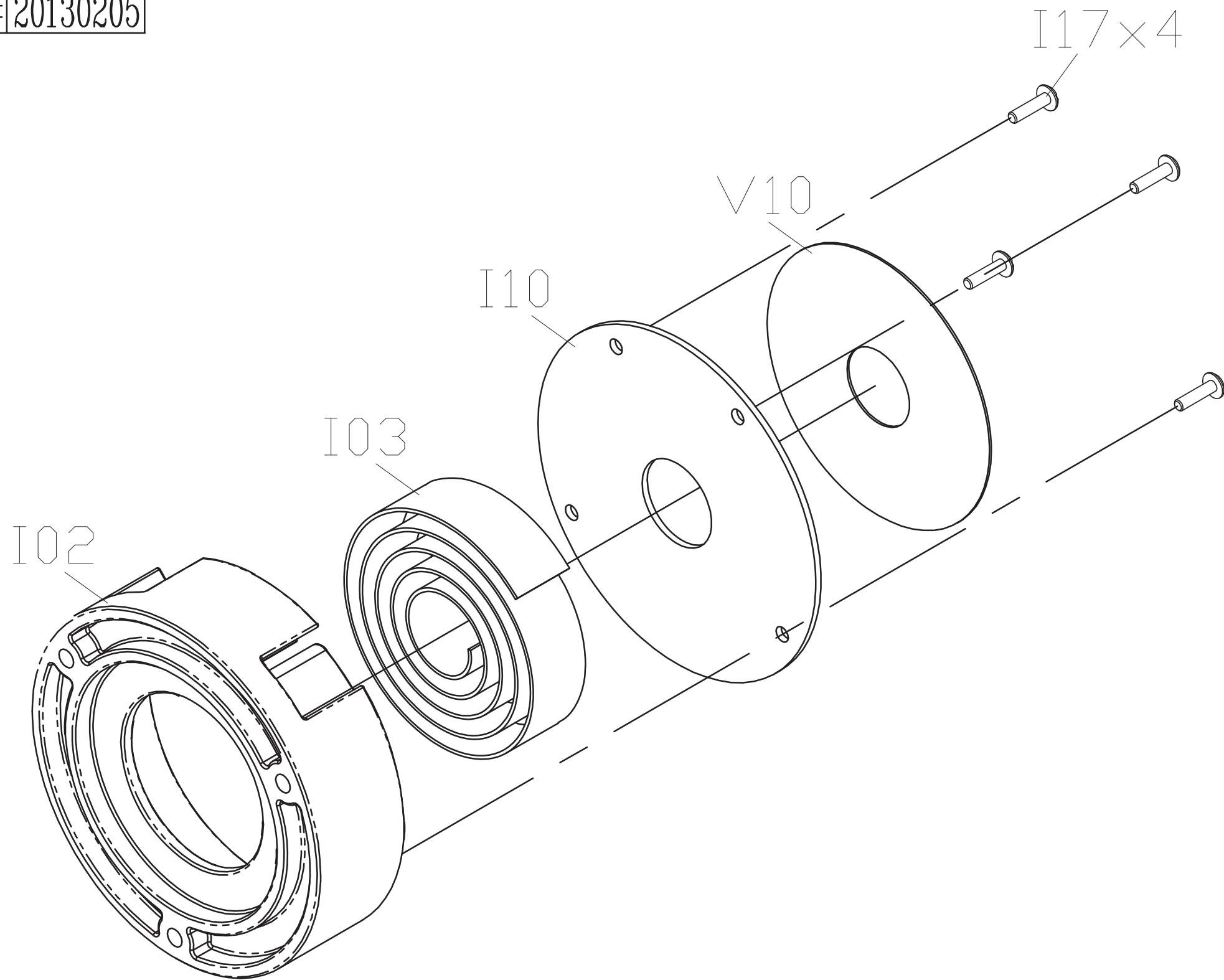


SAP NO.	Description
1000230325	SLIVER

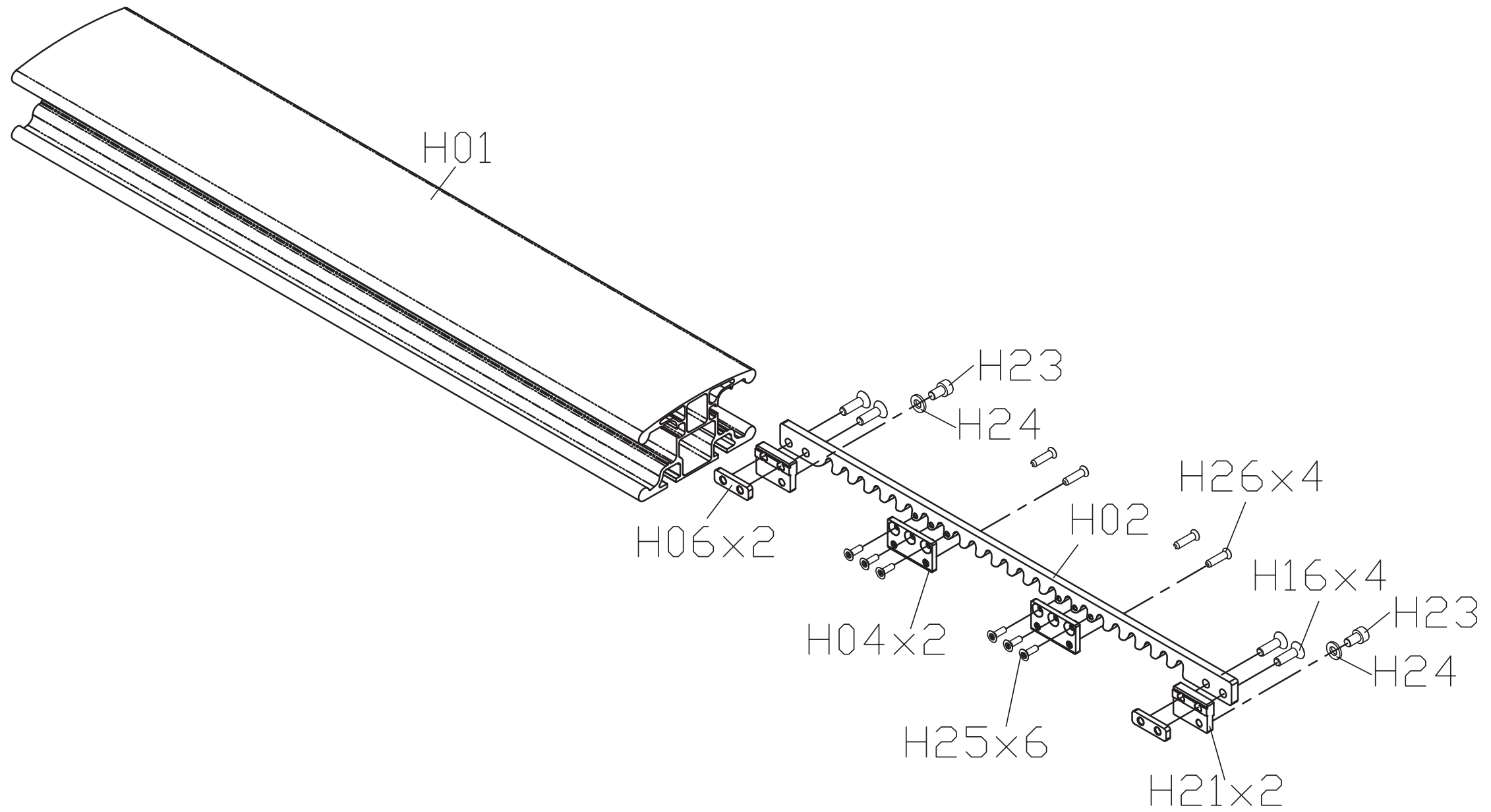
DRAWING NO	CB92-AU3		
PART NAME	Idler Fix Plate Set		
PART NO	1000230354 ^R _B		
APPROVE	KEN	DATE	20121217



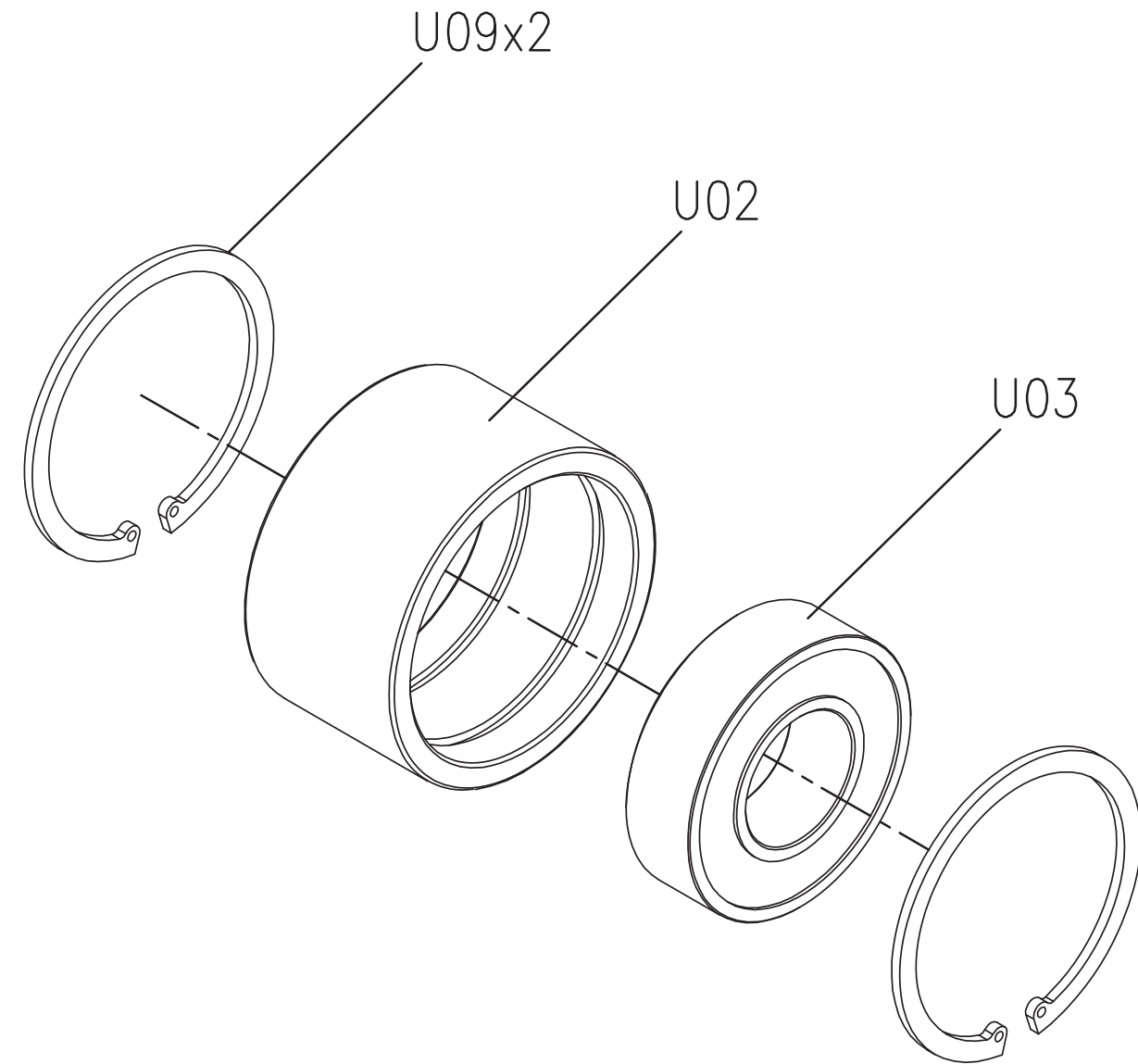
DRAWING NO	CB93-AI2		
PART NAME	Spring Set;Spiral		
PART NO	1000230457 ^R _B		
APPROVE	HERMES	DATE	20130205



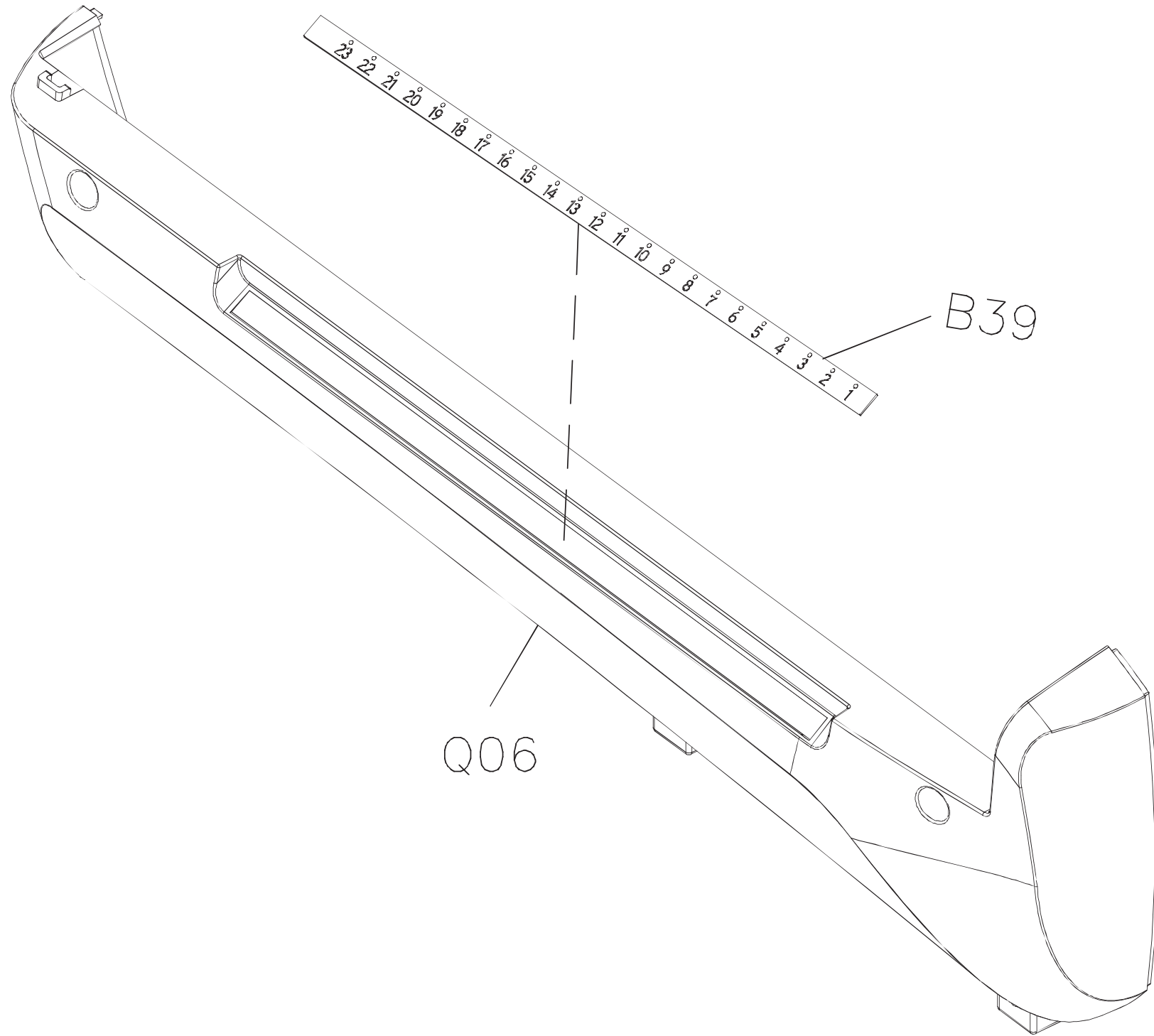
DRAWING NO	CB93-AH2		
PART NAME	Guide rail set		
PART NO	1000306300 ^{REV} E		
APPROVE	HERMES	DATE	20130914



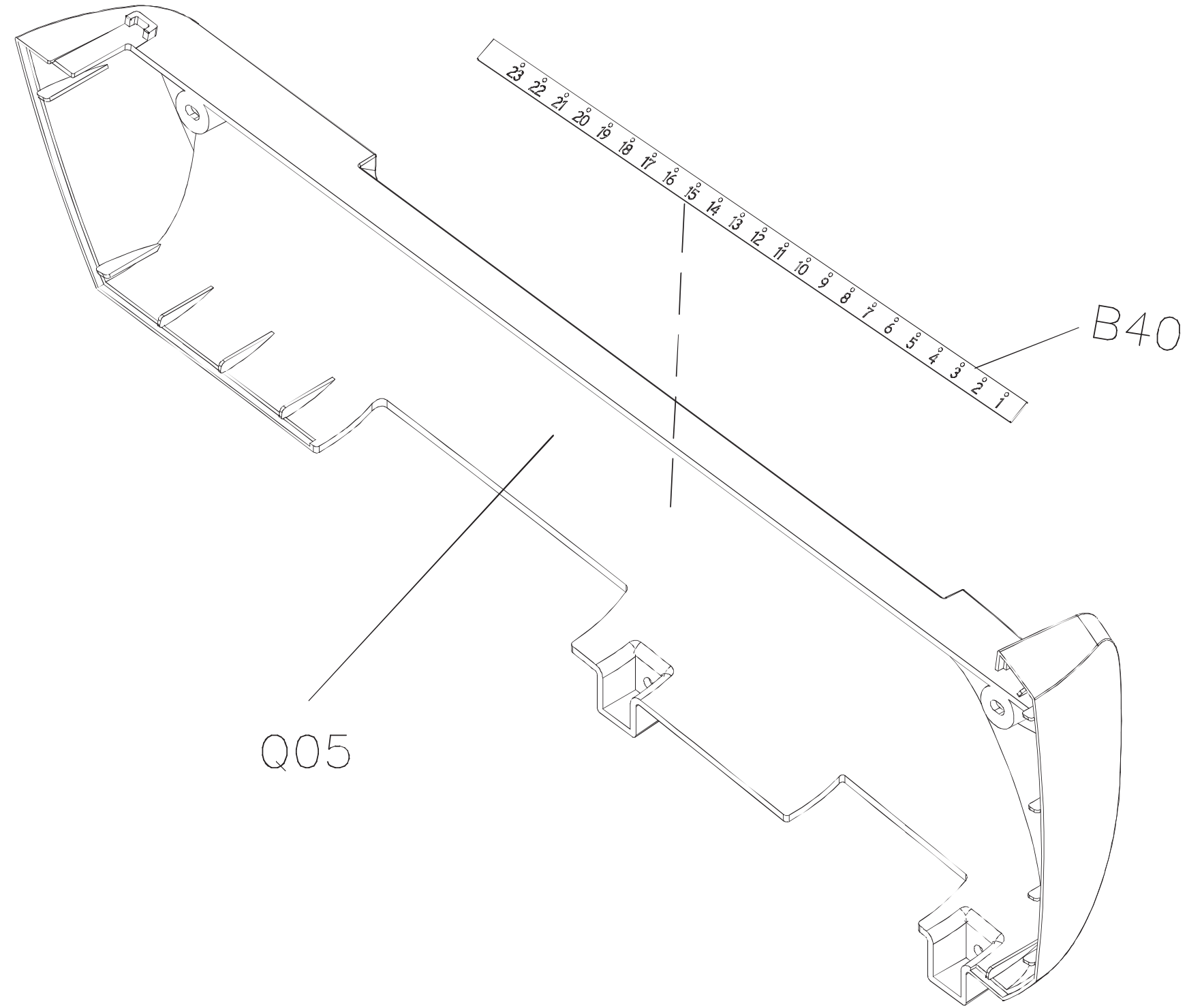
DRAWING NO	CB92-AU4		
PART NAME	Idler Set		
PART NO	1000307358	REV	B
APPROVE	KEN	DATE	20130116



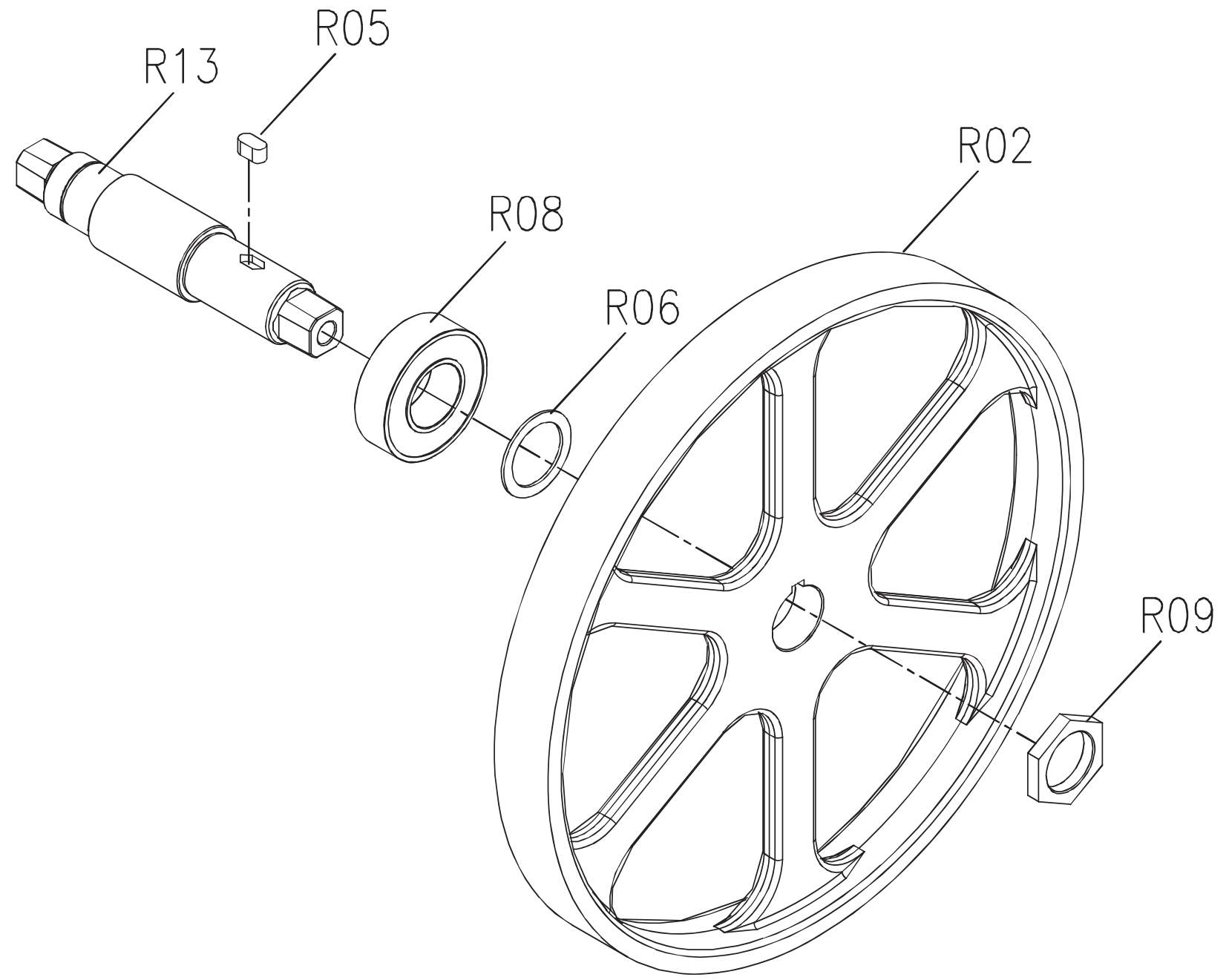
DRAWING NO	RB307-AQ3		
PART NAME	Right Guild Rail Cover Set		
PART NO	1000308337 <small>R</small> <small>E</small> <small>V</small> <small>B</small>		
APPROVE	EASON	DATE	20130205



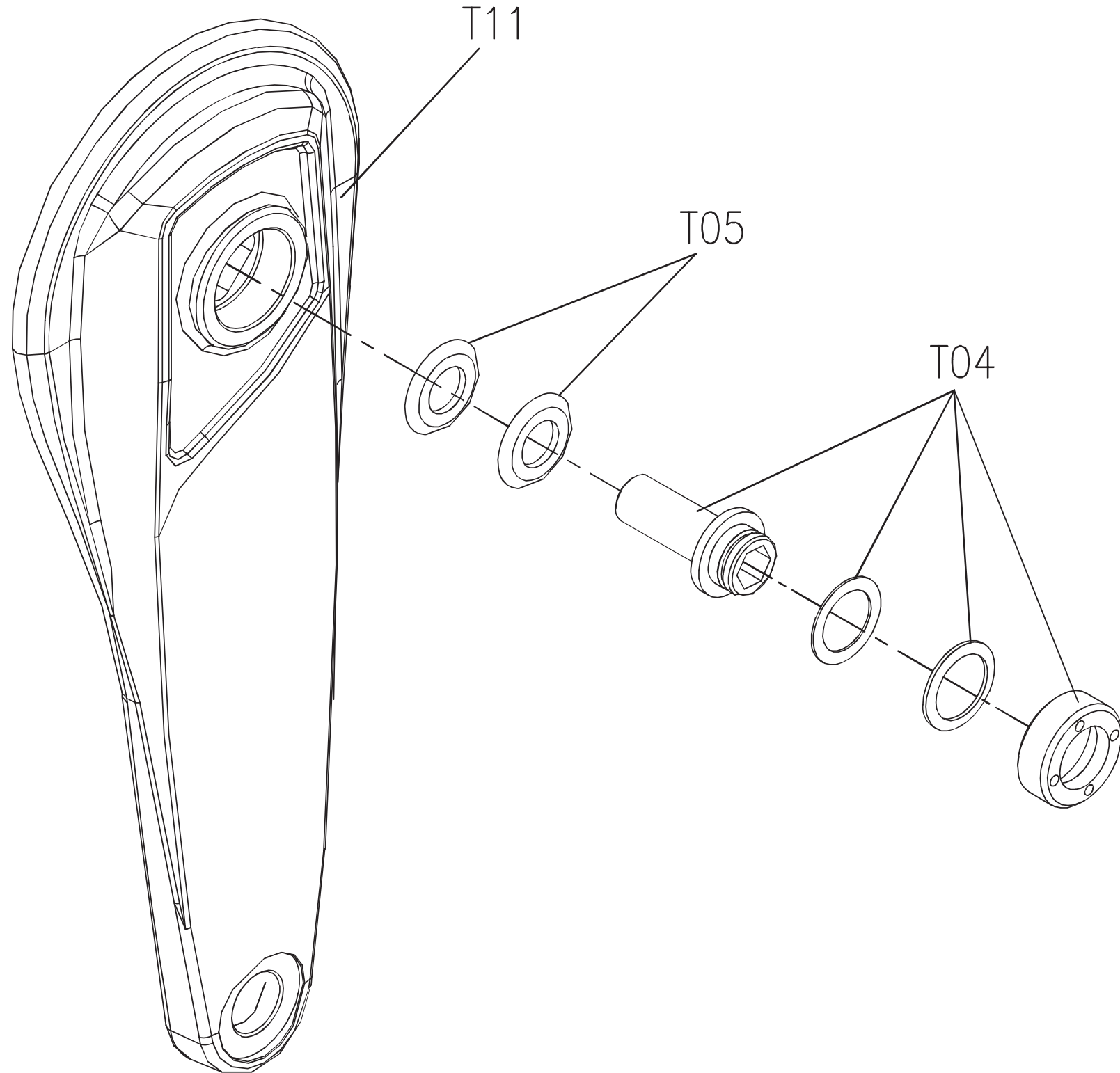
DRAWING NO	RB307-AQ4		
PART NAME	Left Guild Rail Cover Set		
PART NO	1000308338 ^R _B		
APPROVE	EASON	DATE	20130205



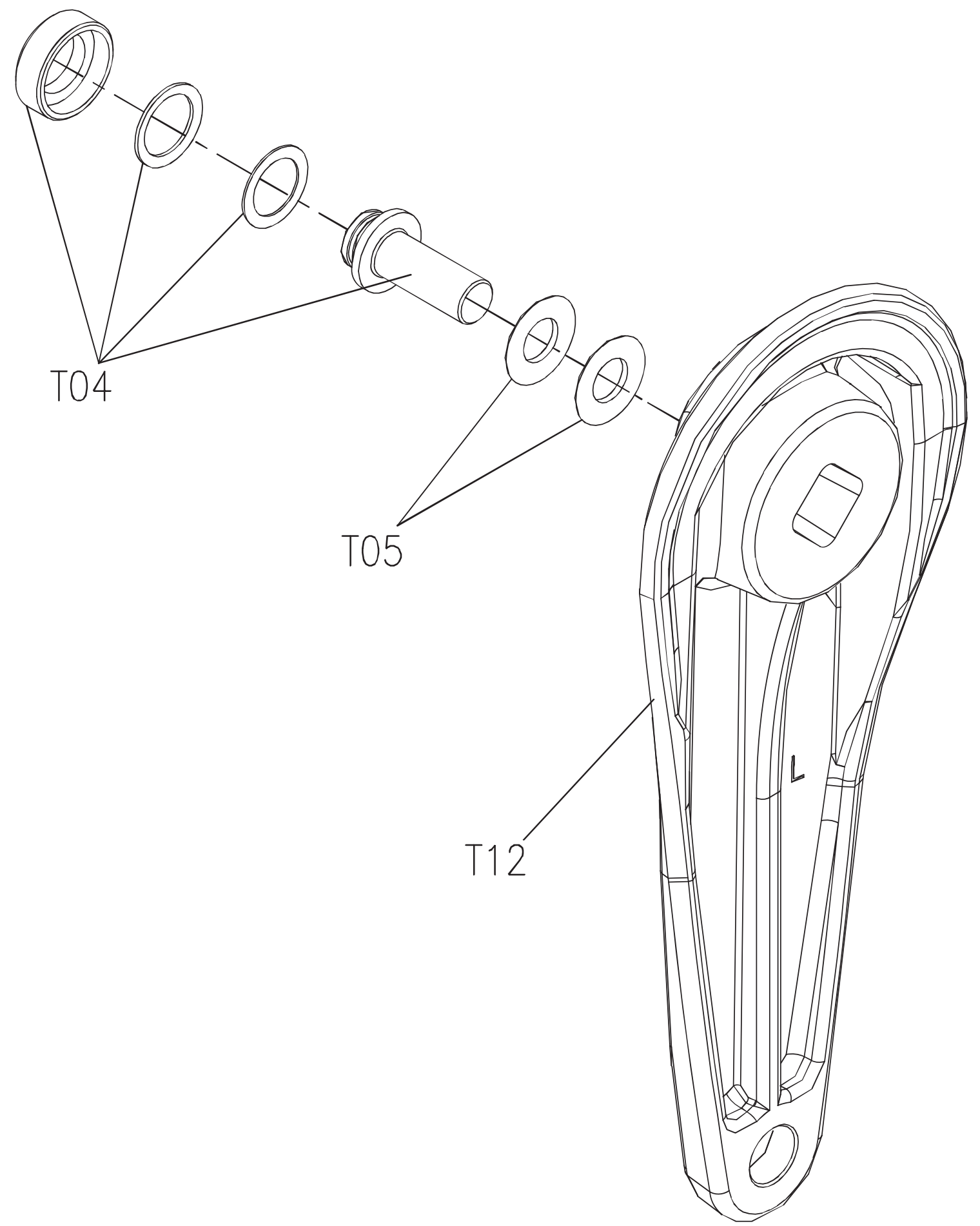
DRAWING NO	CB93-AR21		
PART NAME	Transmission Set		
PART NO	1000346721	$\frac{R}{E}$	B
APPROVE	KEN	DATE	20140408



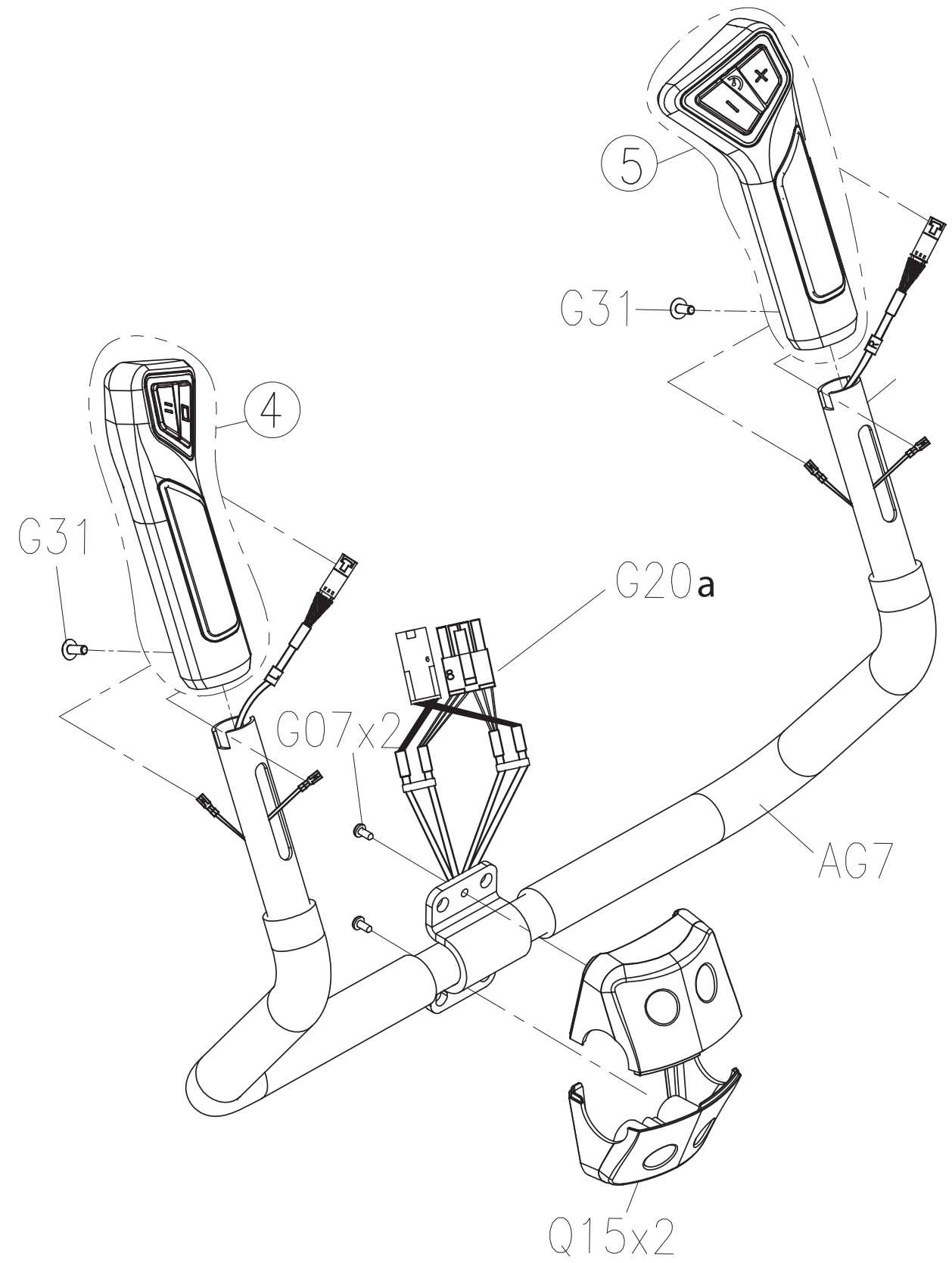
DRAWING NO	CB92-AT21		
PART NAME	Crank Set;R		
PART NO	1000346727	REV	B
APPROVE	KEN	DATE	20140408



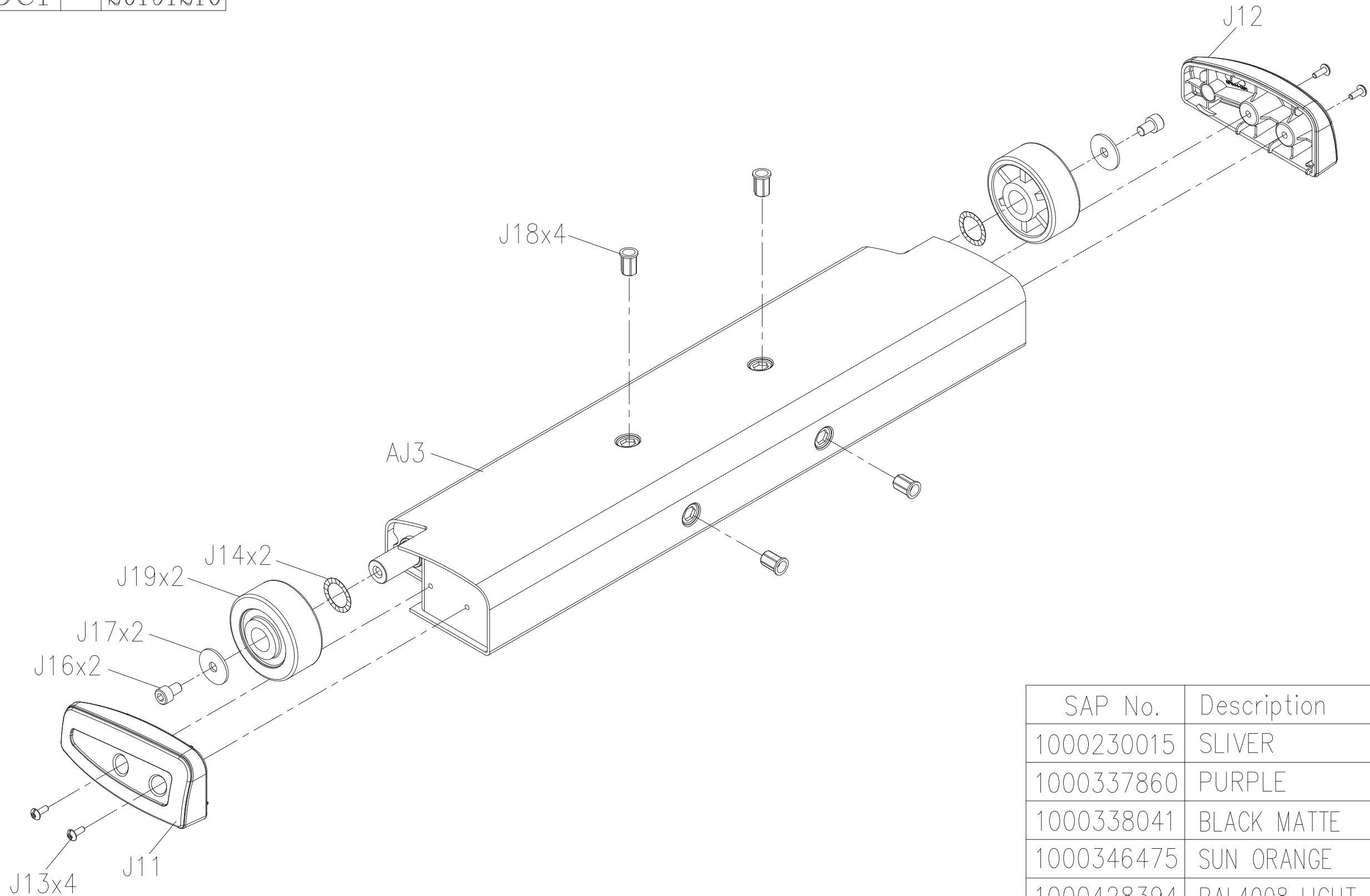
DRAWING NO	CB92-AT22		
PART NAME	Crank Set;L		
PART NO	1000346728 <small>REV</small> B		
APPROVE	KEN	DATE	20140408



DRAWING NO	CB96-AG2		
PART NAME	Handlebar Set		
PART NO	1000434666 <small>REV</small> B		
APPROVE	AMBER	DATE	20190513

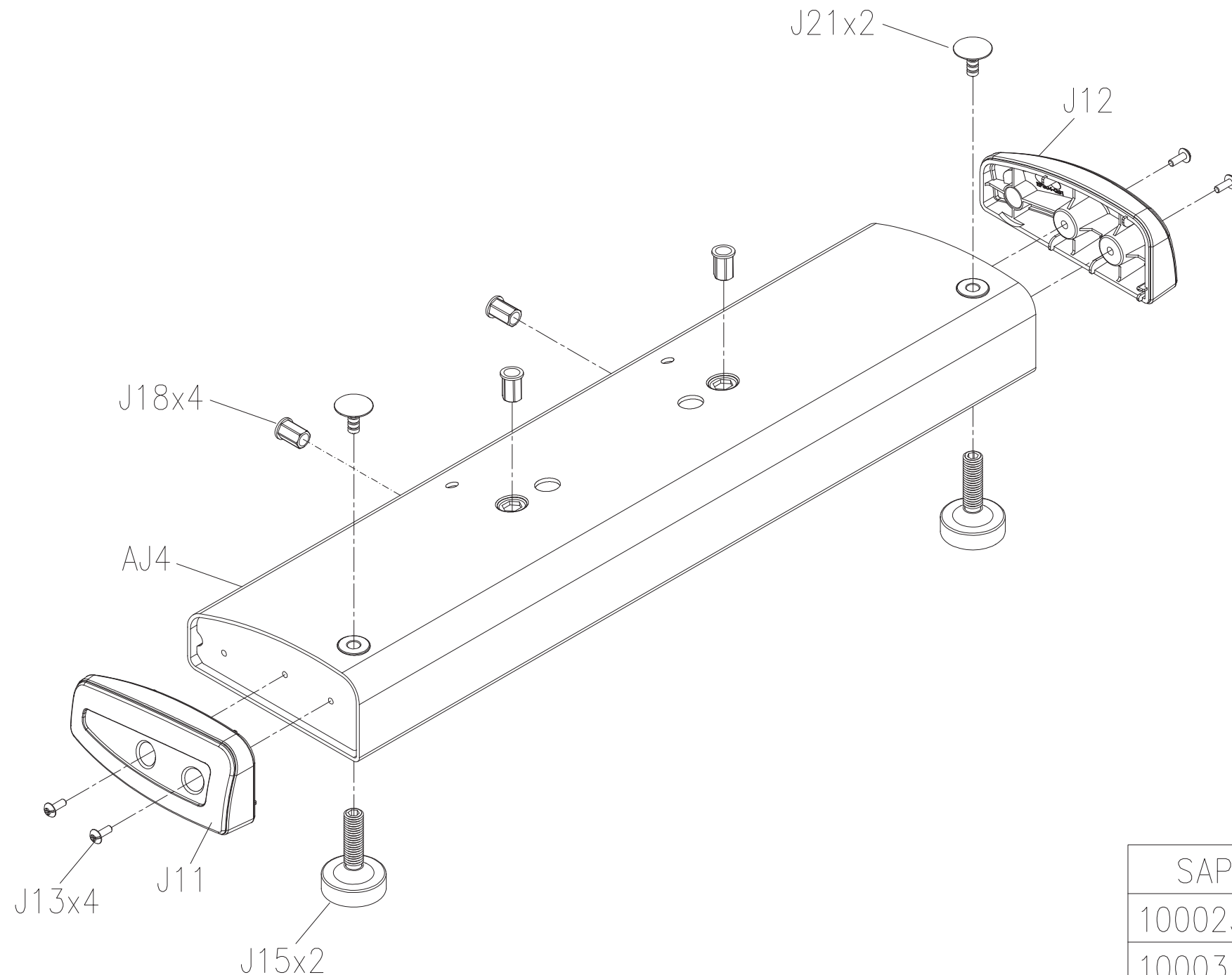


DRAWING NO	CB92-AJ5		
PART NAME	Stabilizer SET;F		
PART NO	See attached chart		
APPROVE	Amber	DATE	20191216



SAP No.	Description
1000230015	SLIVER
1000337860	PURPLE
1000338041	BLACK MATTE
1000346475	SUN ORANGE
1000428394	RAL4008 LIGHT PURPLE
1000447420	Graphite Grey 202020
1000447433	Double Graphite Grey 202020

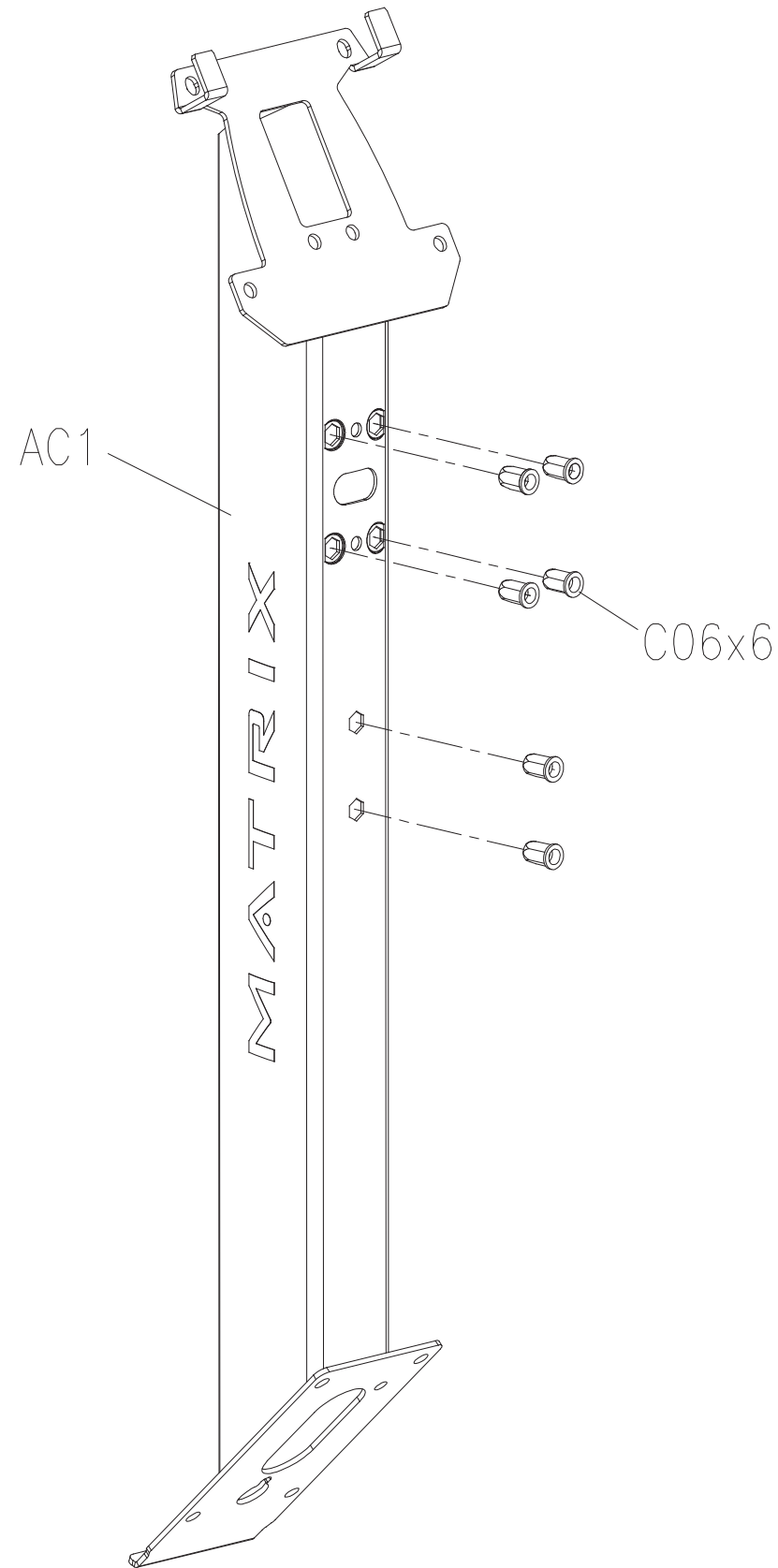
DRAWING NO	CB92-AJ6		
PART NAME	Stabilizer SET;R		
PART NO	See attached chart REH		
APPROVE	Amber	DATE	20191216



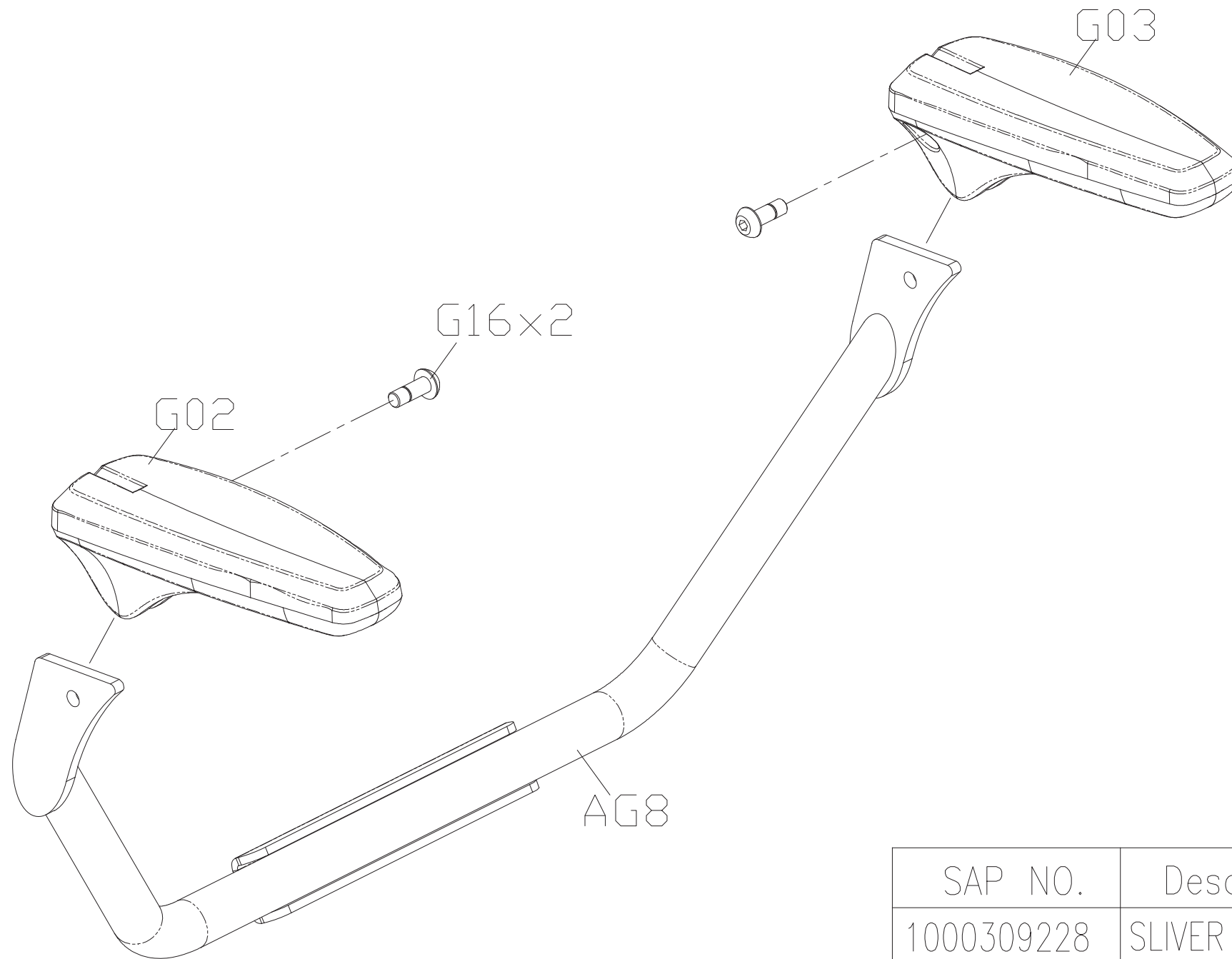
SAP No.	Description
1000230023	SLIVER
1000337863	PURPLE
1000338046	BLACK MATTE
1000346477	SUN ORANGE
1000428396	RAL4008 LIGHT PURPLE
1000447422	Graphite Grey 202020
1000447435	Double Graphite Grey 202020

DRAWING NO	CB96-AC3		
PART NAME	CONSOLE MAST SET		
PART NO	See attached chart  C		
APPROVE	Amber	DATE	20191216

SAP No.	Description
1000434659	SILVER
1000435110	BLACK MATTE
1000442546	DOUBLE BLACK MATTE
1000447443	Graphite Grey 202020
1000447466	DOUBLE Graphite Grey 202020

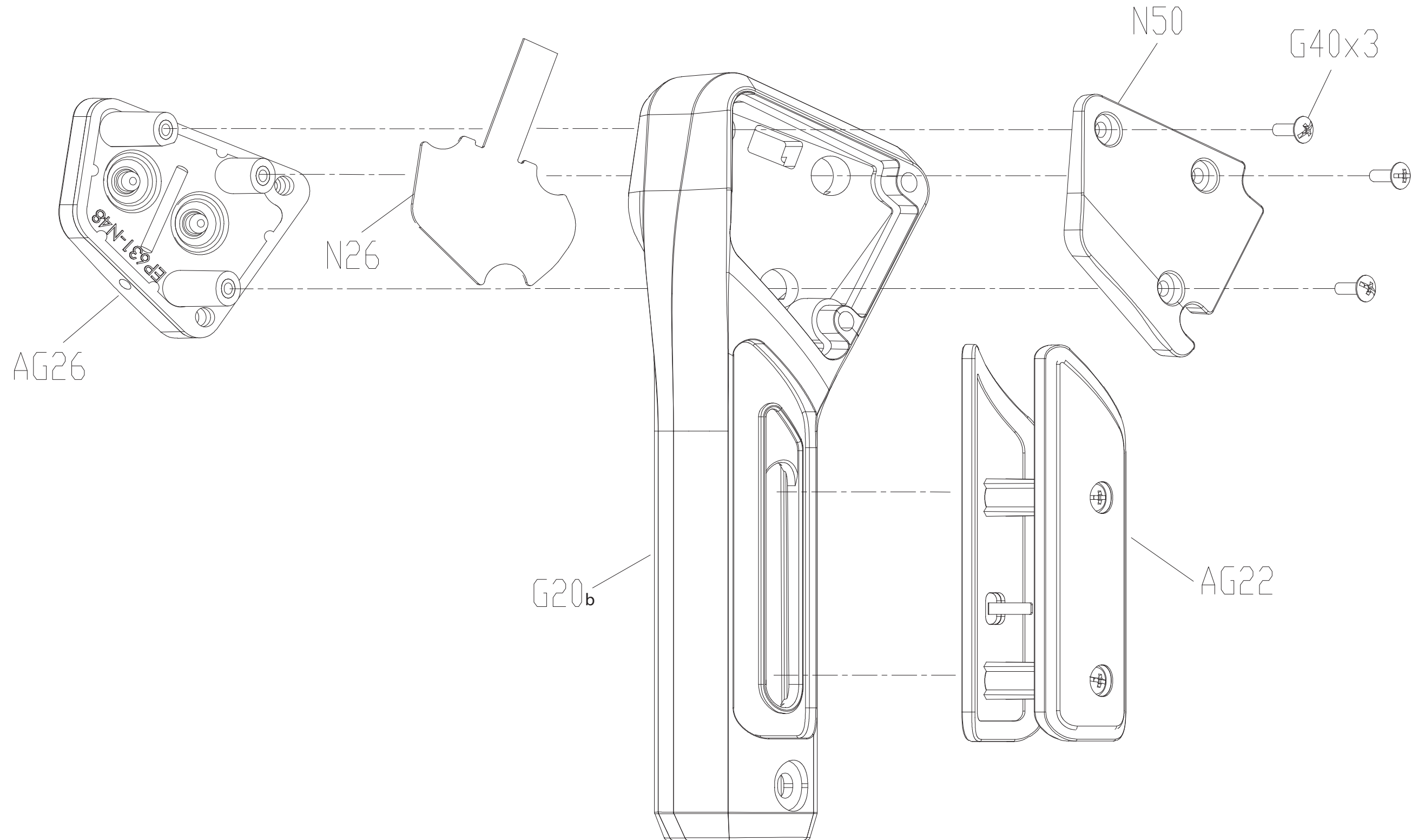


DRAWING NO	CB93-AG12		
PART NAME	Arm Rest Set		
PART NO	See attached REV E		
APPROVE	Amber	DATE	20191216



SAP NO.	Description
1000309228	SLIVER
1000345205	Black matte
1000346506	SUN ORANGE
1000447448	Graphite Grey 202020
1000447473	Double Graphite Grey 202020

DRAWING NO	CS34-AG8		
PART NAME	Hand Pulse Set;Quickly Key:right		
PART NO	1000443649	REV	C
APPROVE	BROOK	DATE	20200302



DRAWING NO	CS34-AG7		
PART NAME	Hand Pulse Set;Quickly Key;left		
PART NO	1000437106 ^R _{REV} D		
APPROVE	BROOK	DATE	20200302

