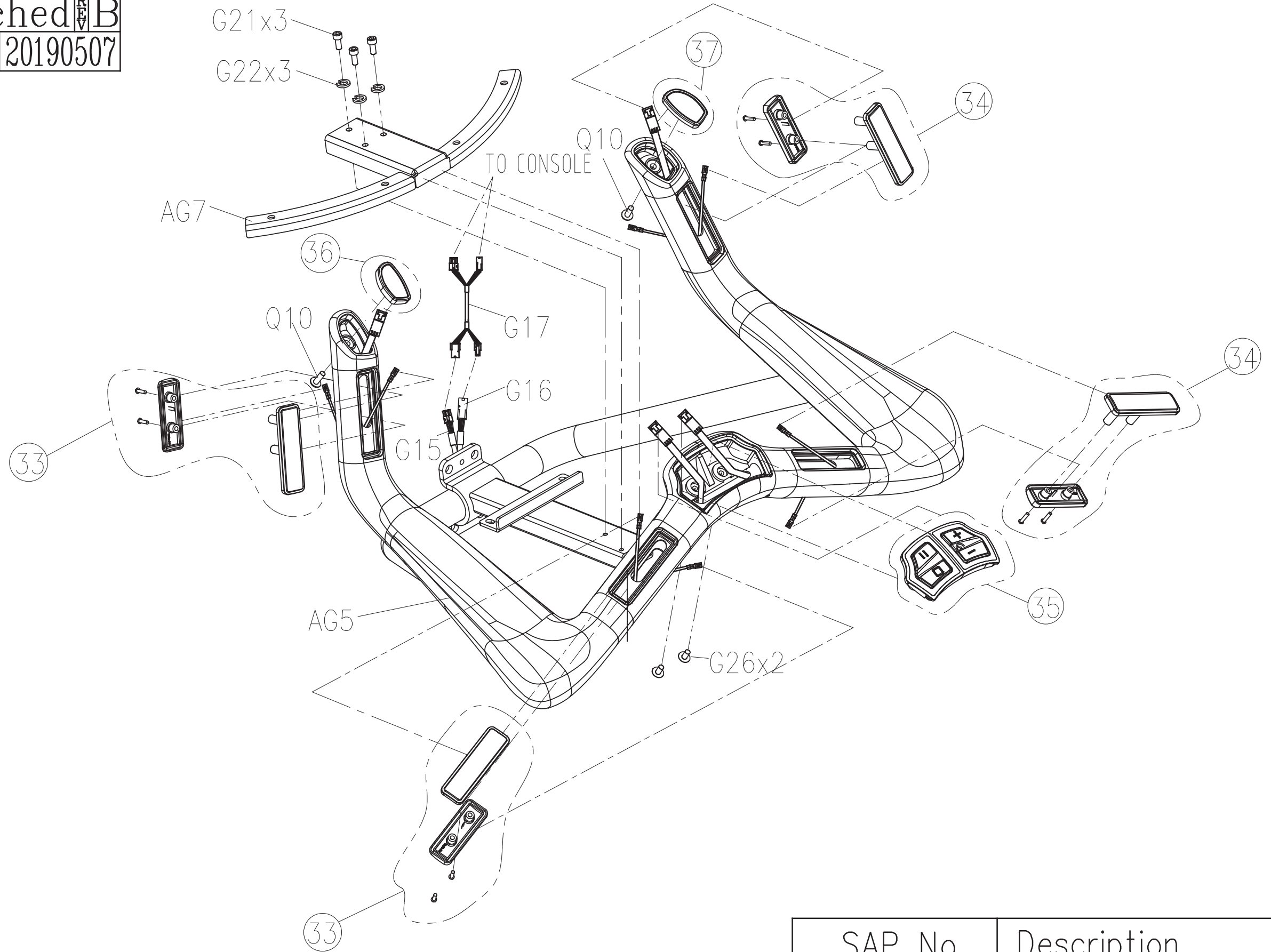


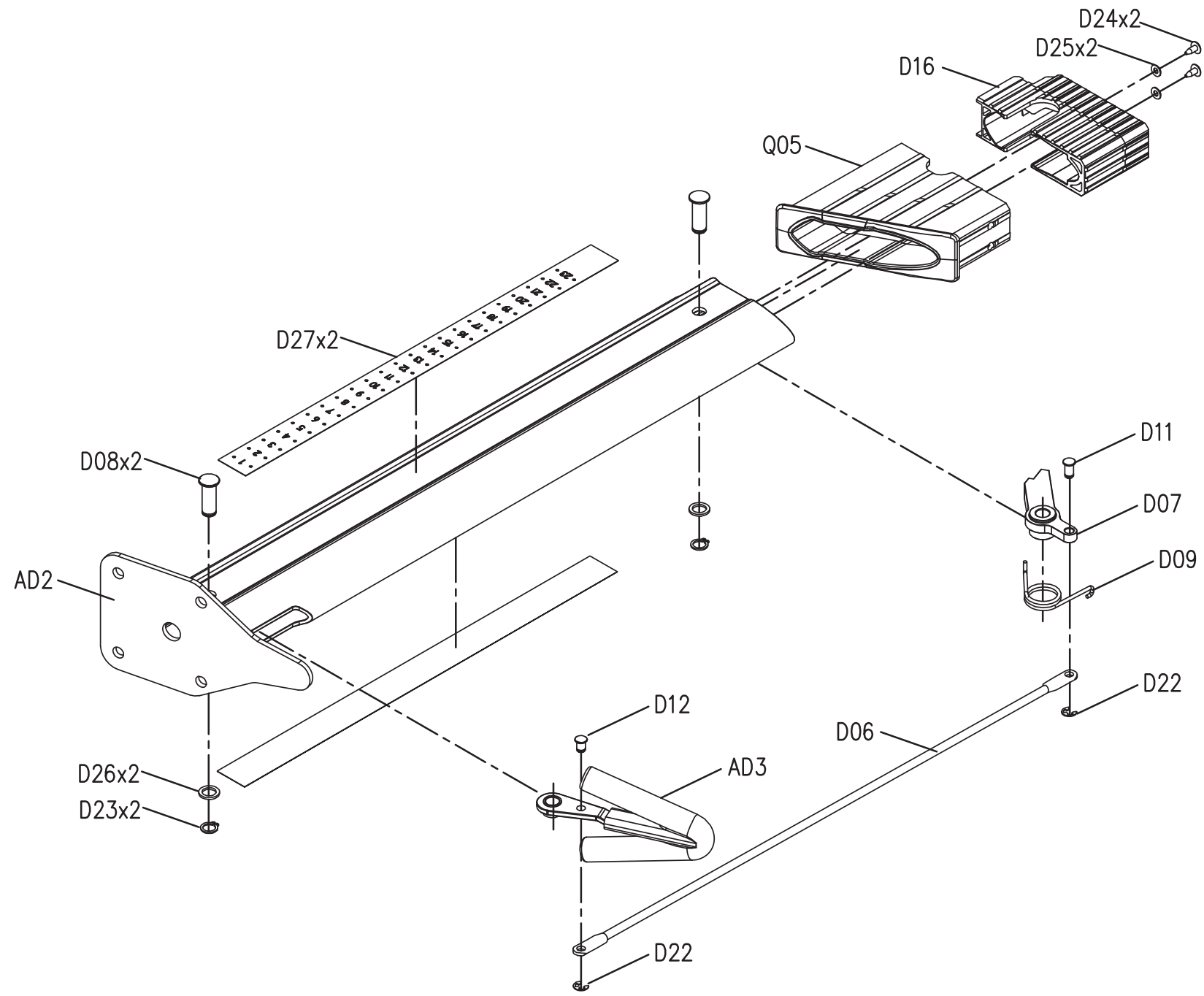


DRAWING NO	CB95-AG4		
PART NAME	HANDLEBAR SET		
PART NO	See attached 		
APPROVE	AMBER	DATE	20190507

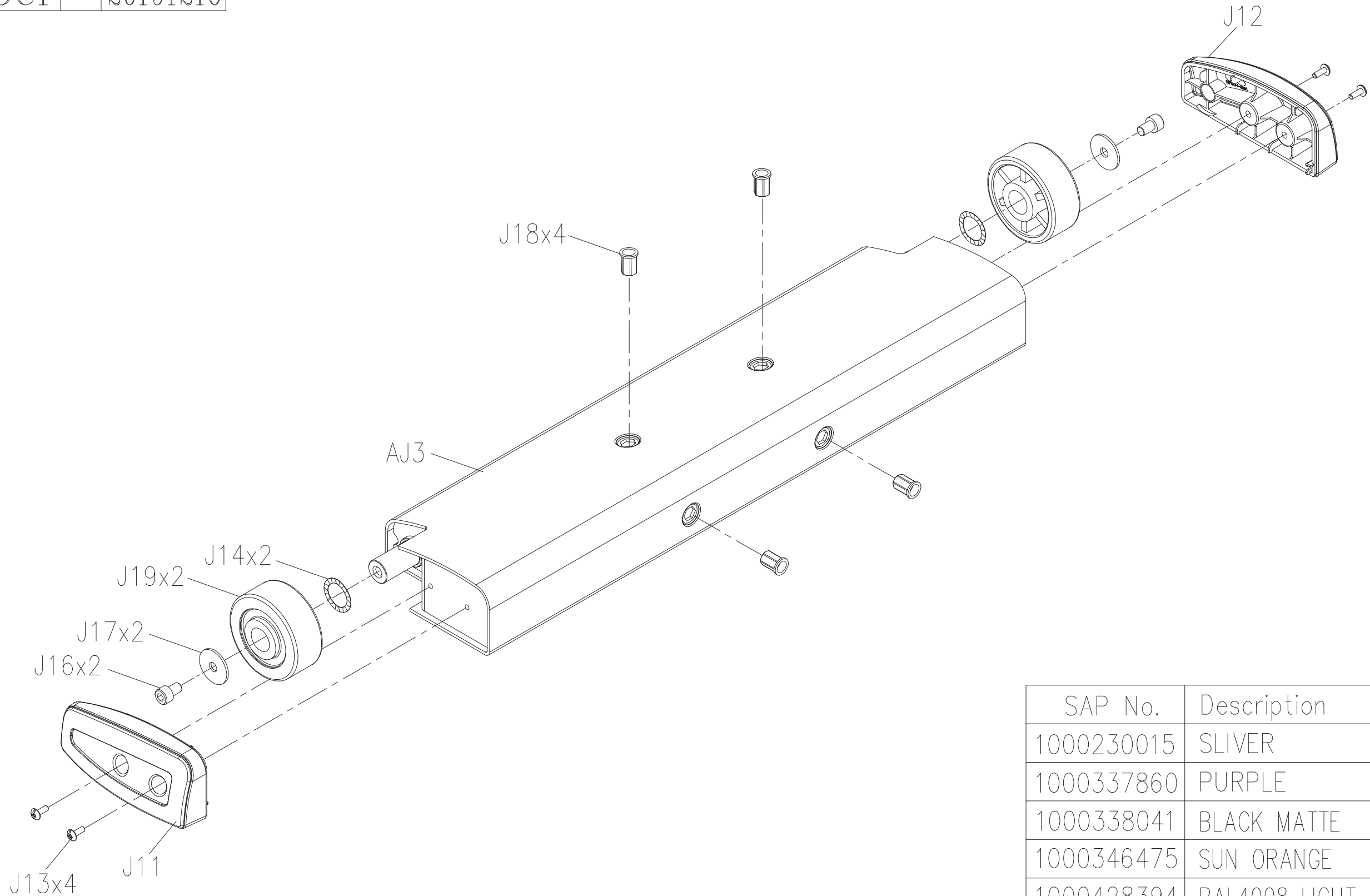


SAP No.	Description
1000435106	Black matte

DRAWING NO	CB92-AD1		
PART NAME	Seat Tube Set		
PART NO	1000230007REV B		
APPROVE	KEN	DATE	20121217

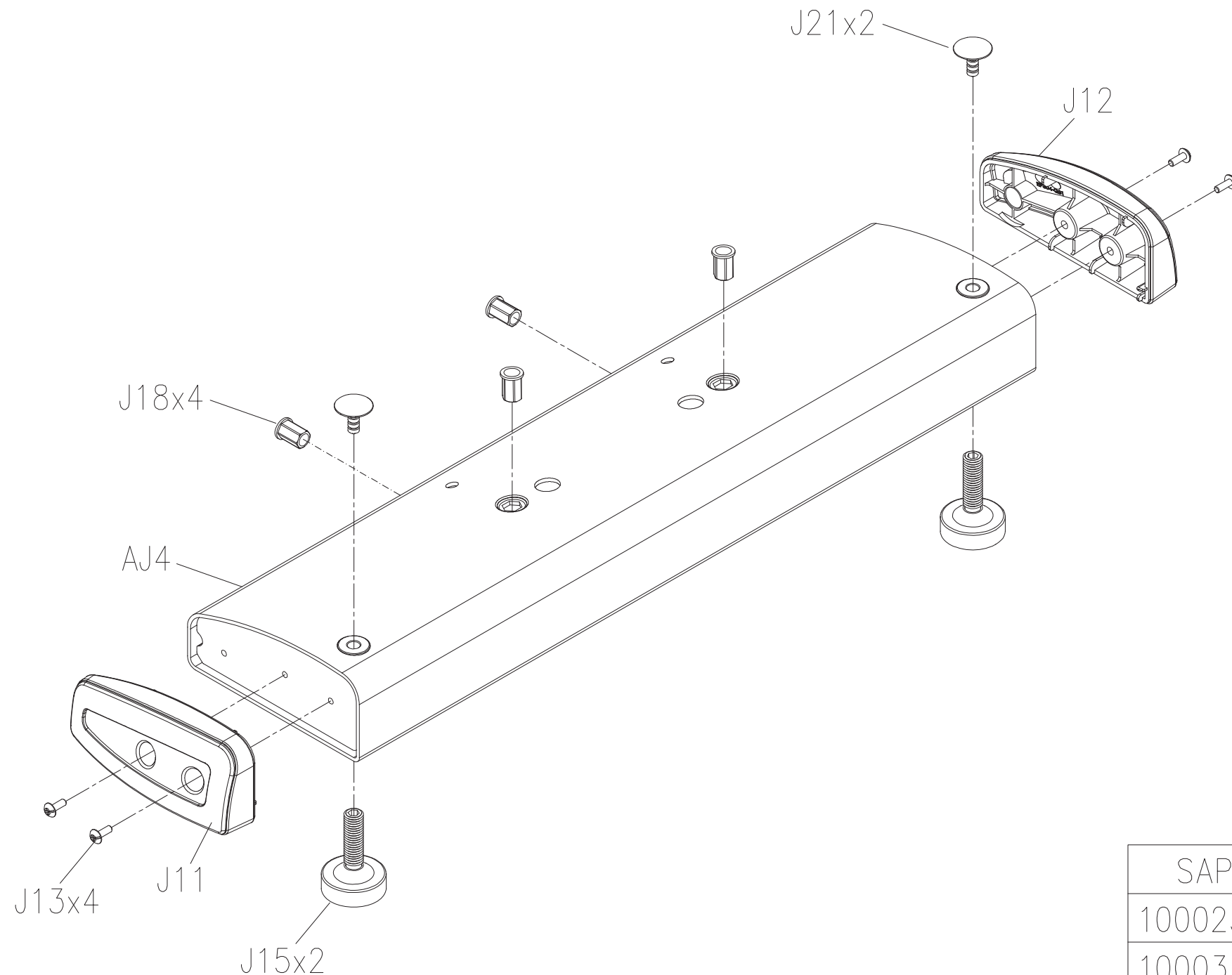


DRAWING NO	CB92-AJ5		
PART NAME	Stabilizer SET;F		
PART NO	See attached chart		
APPROVE	Amber	DATE	20191216



SAP No.	Description
1000230015	SLIVER
1000337860	PURPLE
1000338041	BLACK MATTE
1000346475	SUN ORANGE
1000428394	RAL4008 LIGHT PURPLE
1000447420	Graphite Grey 202020
1000447433	Double Graphite Grey 202020

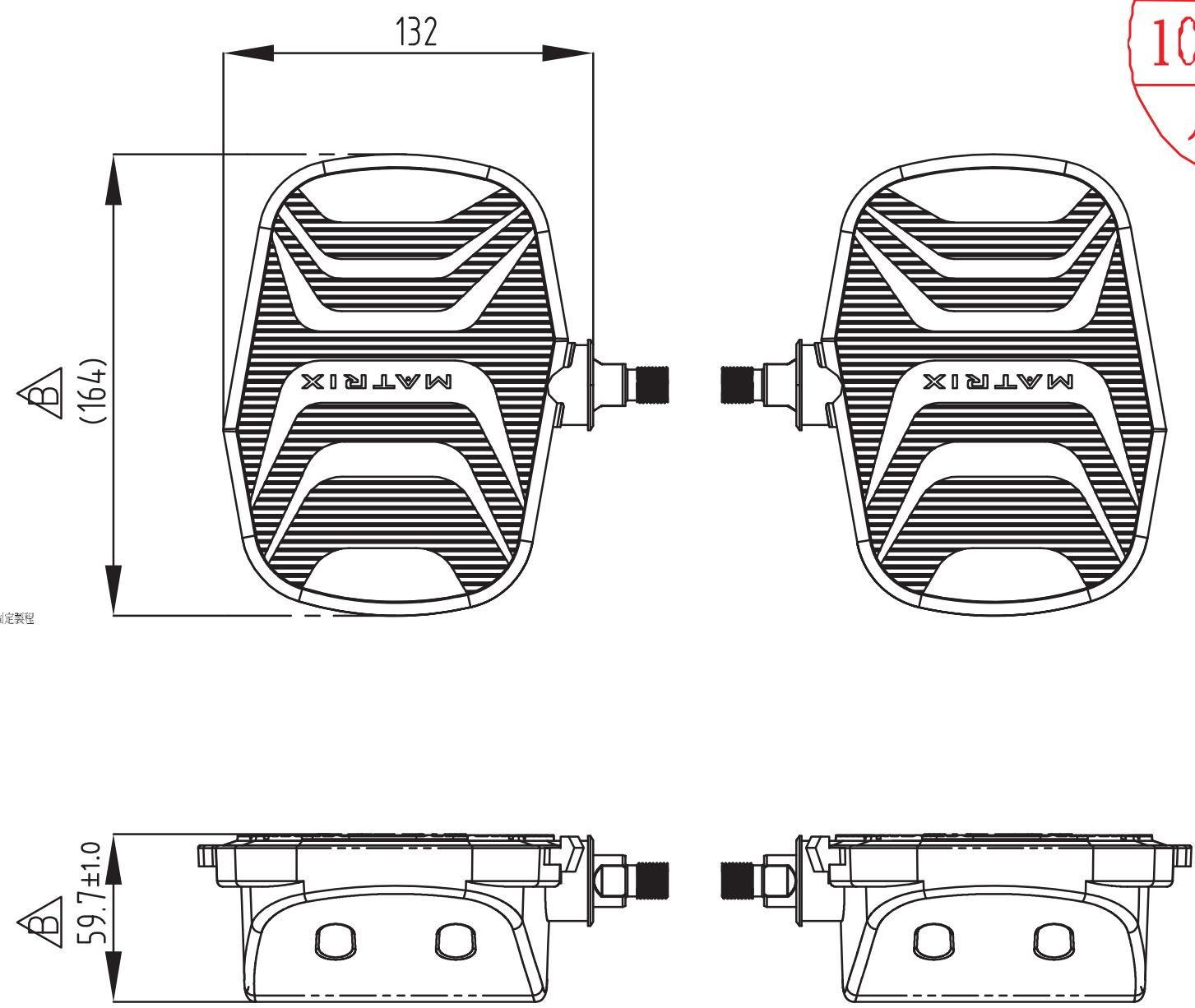
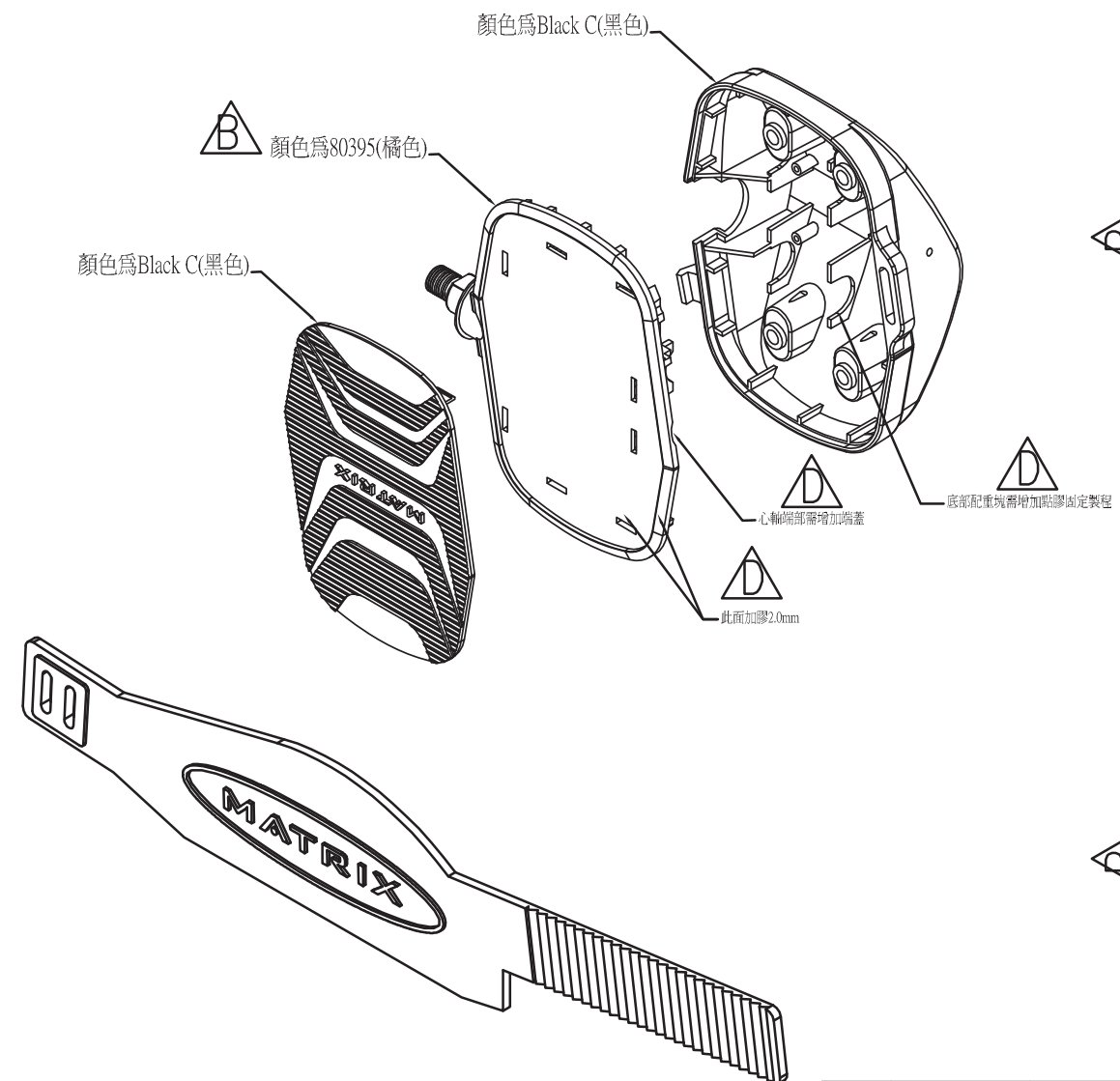
DRAWING NO	CB92-AJ6		
PART NAME	Stabilizer SET;R		
PART NO	See attached chart REH		
APPROVE	Amber	DATE	20191216



SAP No.	Description
1000230023	SLIVER
1000337863	PURPLE
1000338046	BLACK MATTE
1000346477	SUN ORANGE
1000428396	RAL4008 LIGHT PURPLE
1000447422	Graphite Grey 202020
1000447435	Double Graphite Grey 202020

UNLESS OTHERWISE SPECIFIED TOLERANCES ARE?

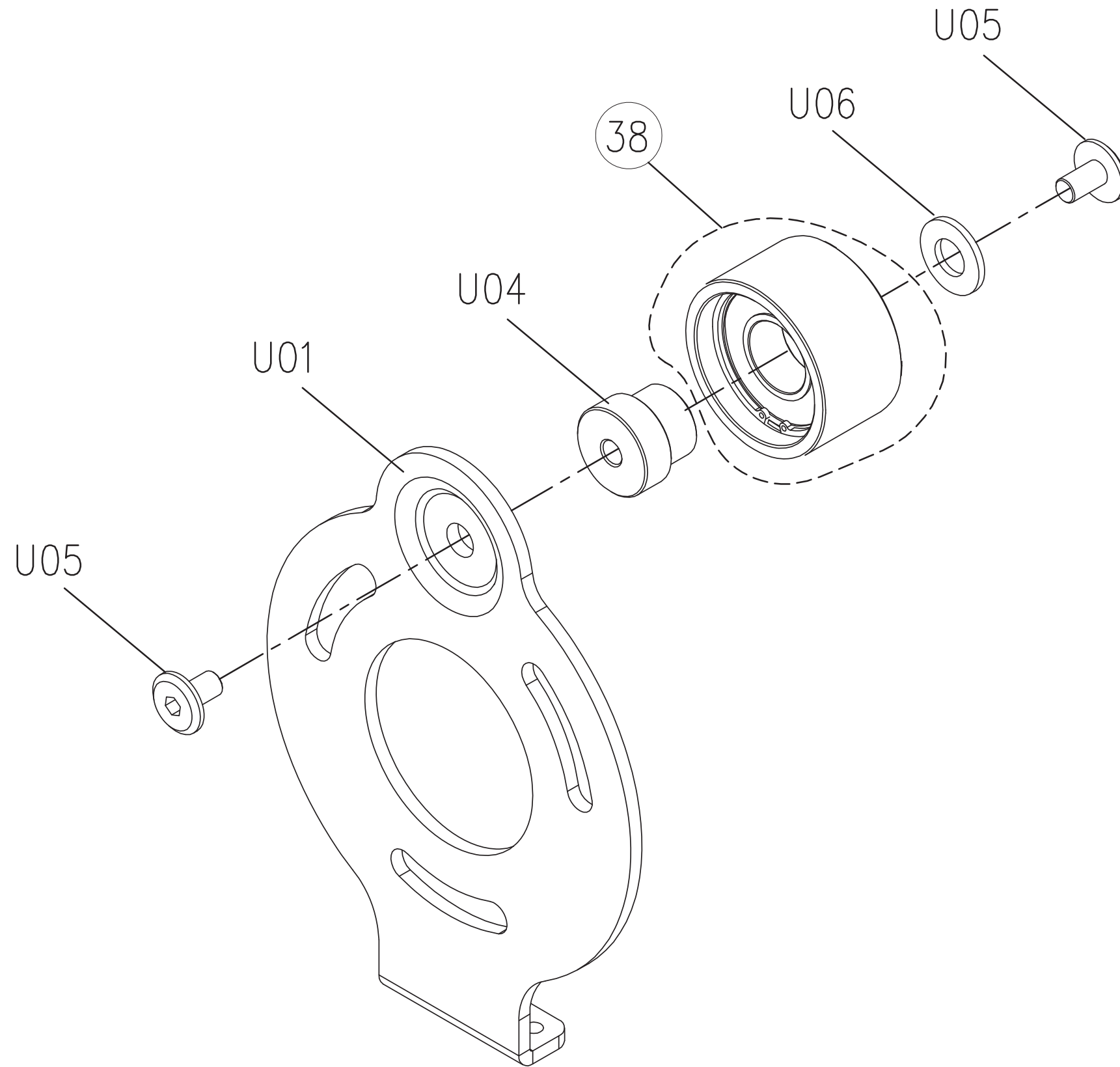
LENGTH		ANGLE	
X.	±1.5	X.	±1°
X.X	±0.5	X.X	±0.5°
X.XX	±0.20	X.XX	±0.10°
X.XXX	±0.100		



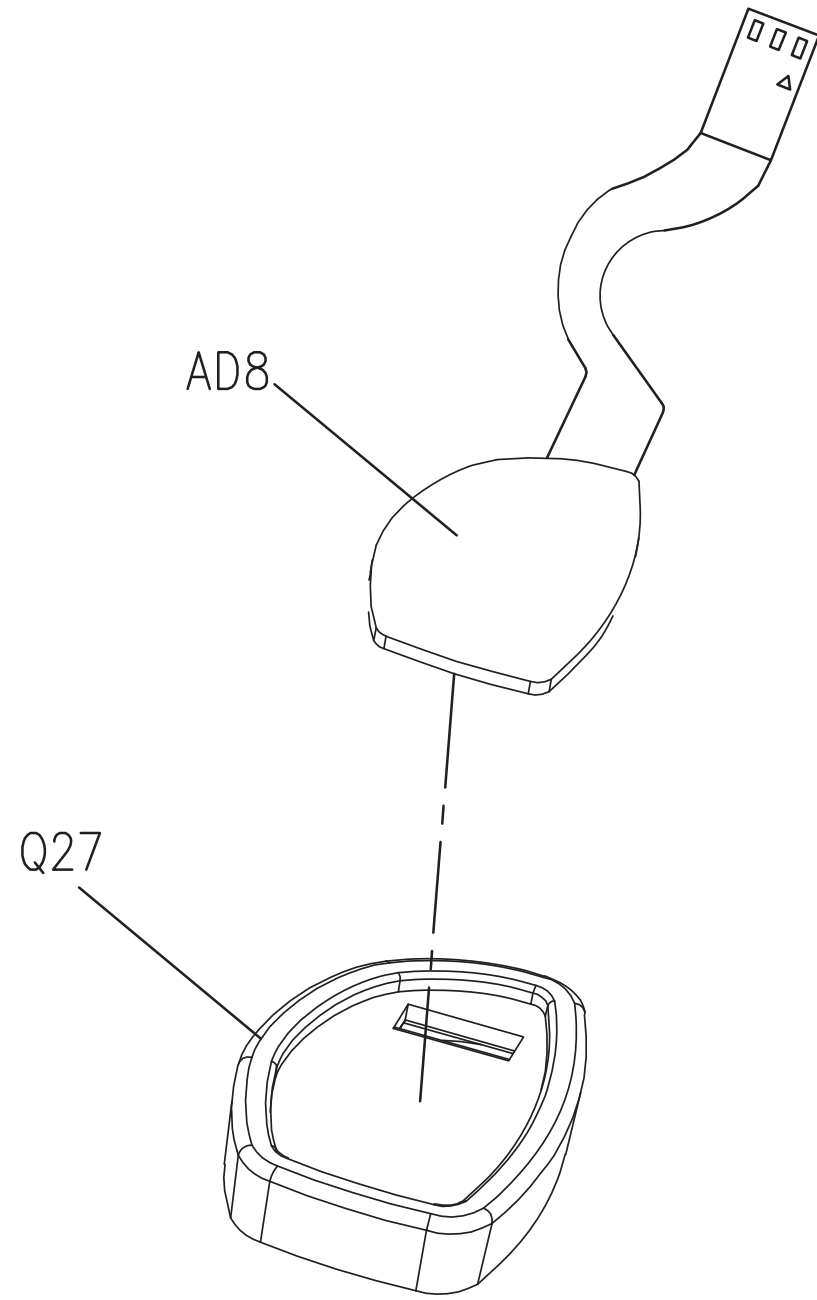
1. 固定螺栓 BC 9/16"-20UNF
2. 廠商：軍典，型號JD-61A；扣具型號 56A
3. R/L 一組
4. 請依現度樣品檢驗
5. 腳帶為(廠商型號JD-1A-B)/CB32B-T09A
6. 顏色：如圖所示

LET 項目	ECO 編號	DESCRIPTION 修改內容	APPROVER 審核	DATE 日期	DESIGN 設計	DATE 日期	UNIT 單位	MM	MODEL NO 機種	R-3x/5x/7x-05-F	狀態 STATE	PD
	13090152	1. 因應測試破裂問題增加肉厚; 2. 底部配重塊需增加點膠固定製程; 3. 心軸端部增加端蓋	Jerry	092313	Kyle	061813	SHEET SIZE 圖紙大小	A4H	PART NAME(CH) 零件名稱	腳踏板;加腳帶		
	13060114	因應客戶需求, 指定扣具形式_56A	Adam	062113	Kyle	061813			PART NAME(EN) 零件名稱	Pedal;w/ Belt		
	13040147	因應客戶需求, 變更踏墊組中一零件顏色 Black C->80395 實物回?: 1_164->(164); 2_59.7->59.7+-1.0	Adam	040813	Kyle	040813			SAP PART NO SAP料號	1000230353		
		RELEASED FOR TOOLING	Adam	110912	Kyle	110912			喬山健康科技(台灣)有限公司 JOHNSON HEALTH TEC. (TAIWAN) CO.,LTD			
									喬山健康科技(上海)有限公司 JOHNSON HEALTH TEC (SHANGHAI) CO LTD			

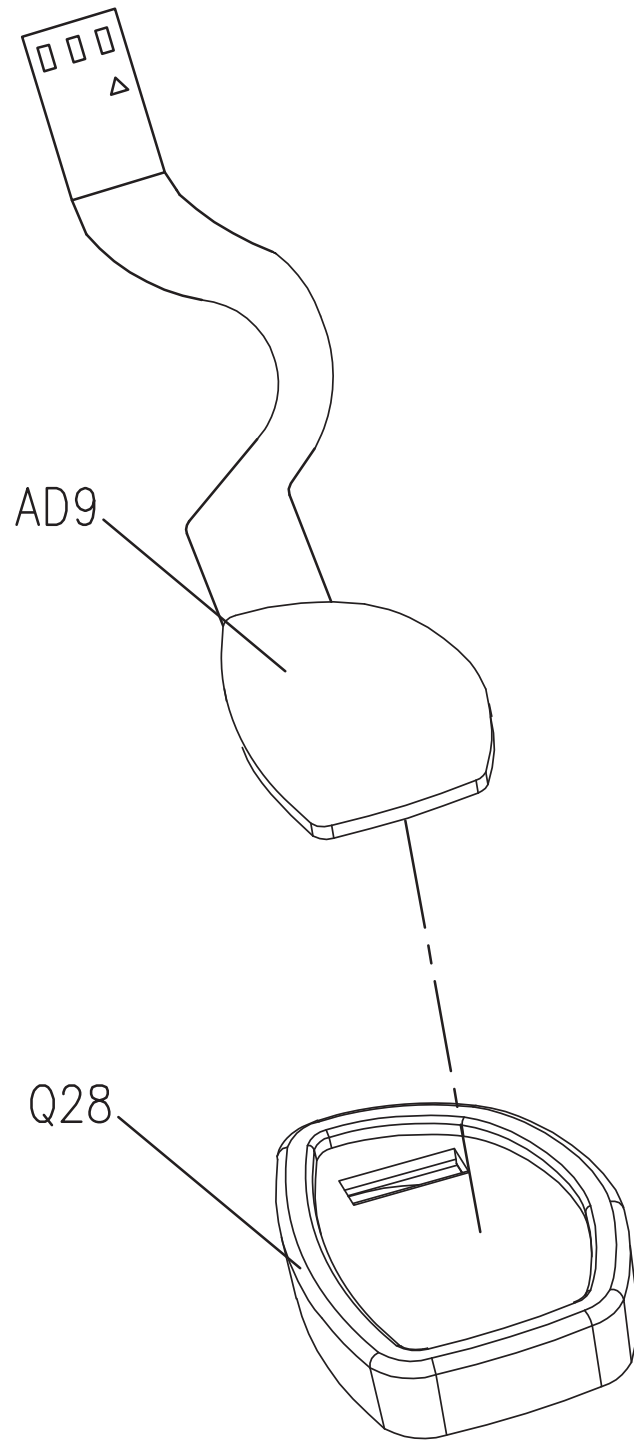
DRAWING NO	CB92-AU3		
PART NAME	Idler Fix Plate Set		
PART NO	1000230354 <sup>R</sup> <sub>B</sub>		
APPROVE	KEN	DATE	20121217



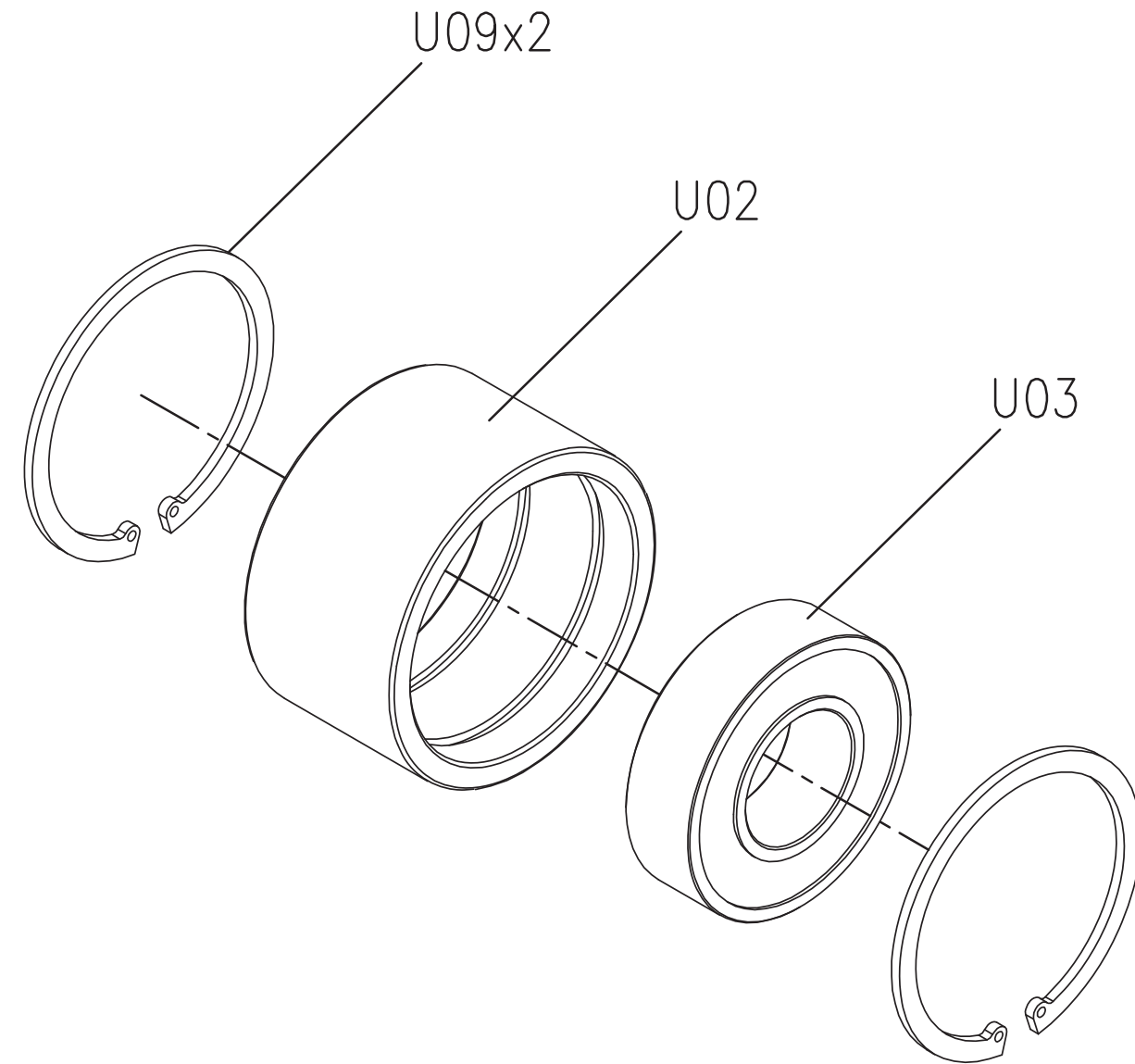
DRAWING NO	CB92-AG8		
PART NAME	Sensor Set;Quickly Key;left		
PART NO	1000301916 <sup>R</sup> <sub>V</sub> B		
APPROVE	KEN	DATE	20121217



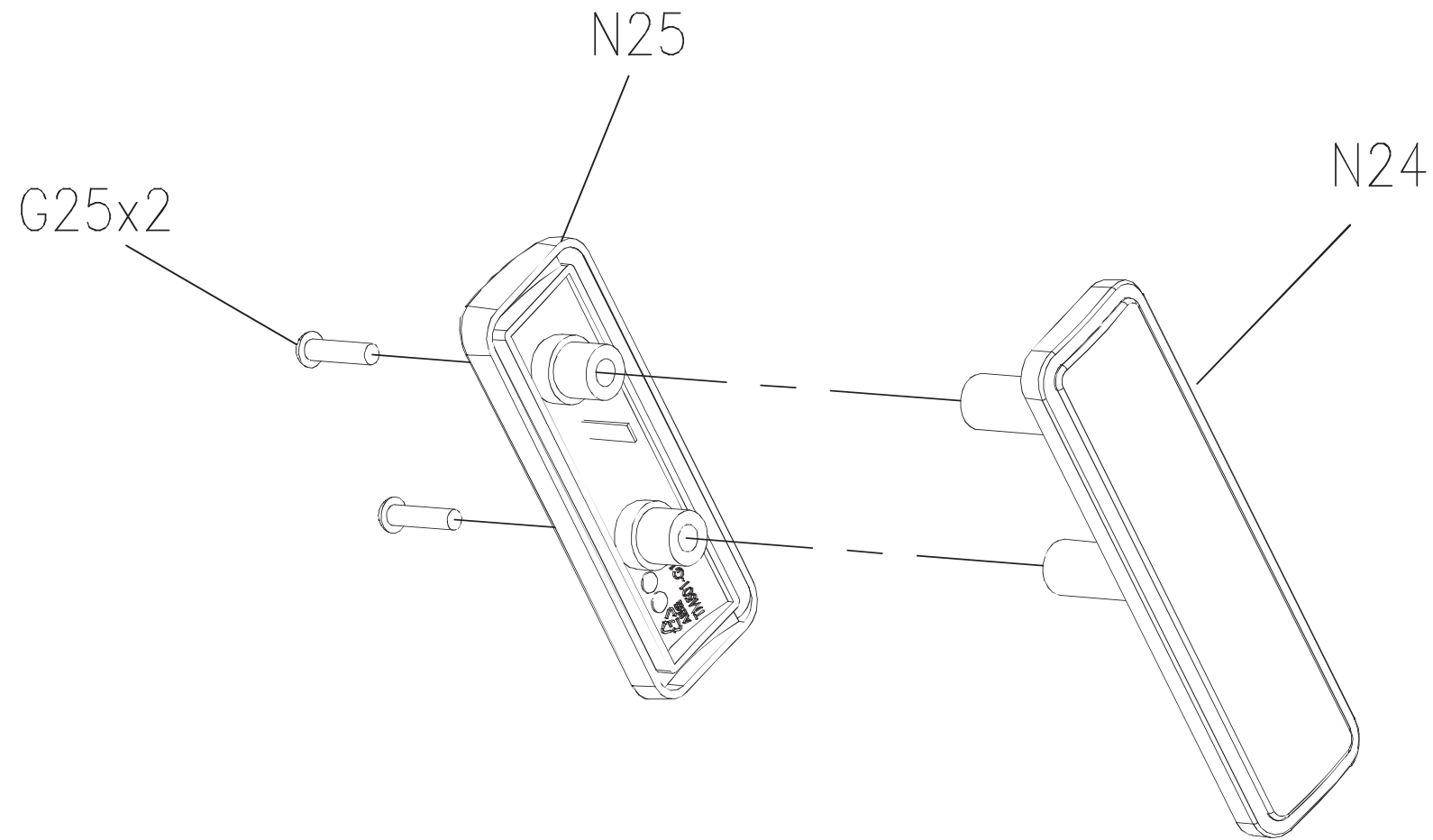
DRAWING NO	CB92-AG9		
PART NAME	Sensor Set;Quickly Key:right		
PART NO	10003019201B		
APPROVE	KEN	DATE	20121217



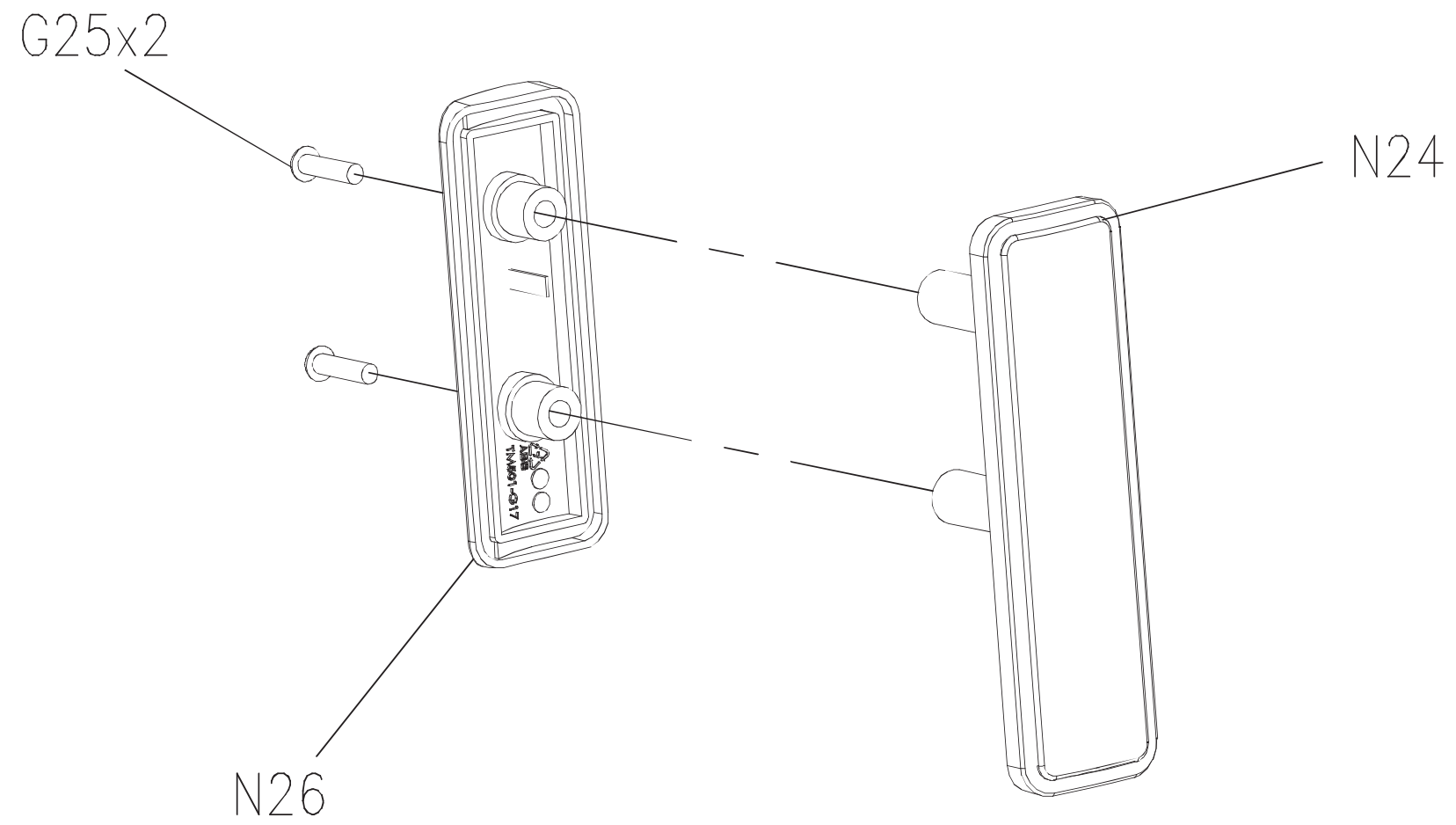
DRAWING NO	CB92-AU4		
PART NAME	Idler Set		
PART NO	1000307358	REV	B
APPROVE	KEN	DATE	20130116



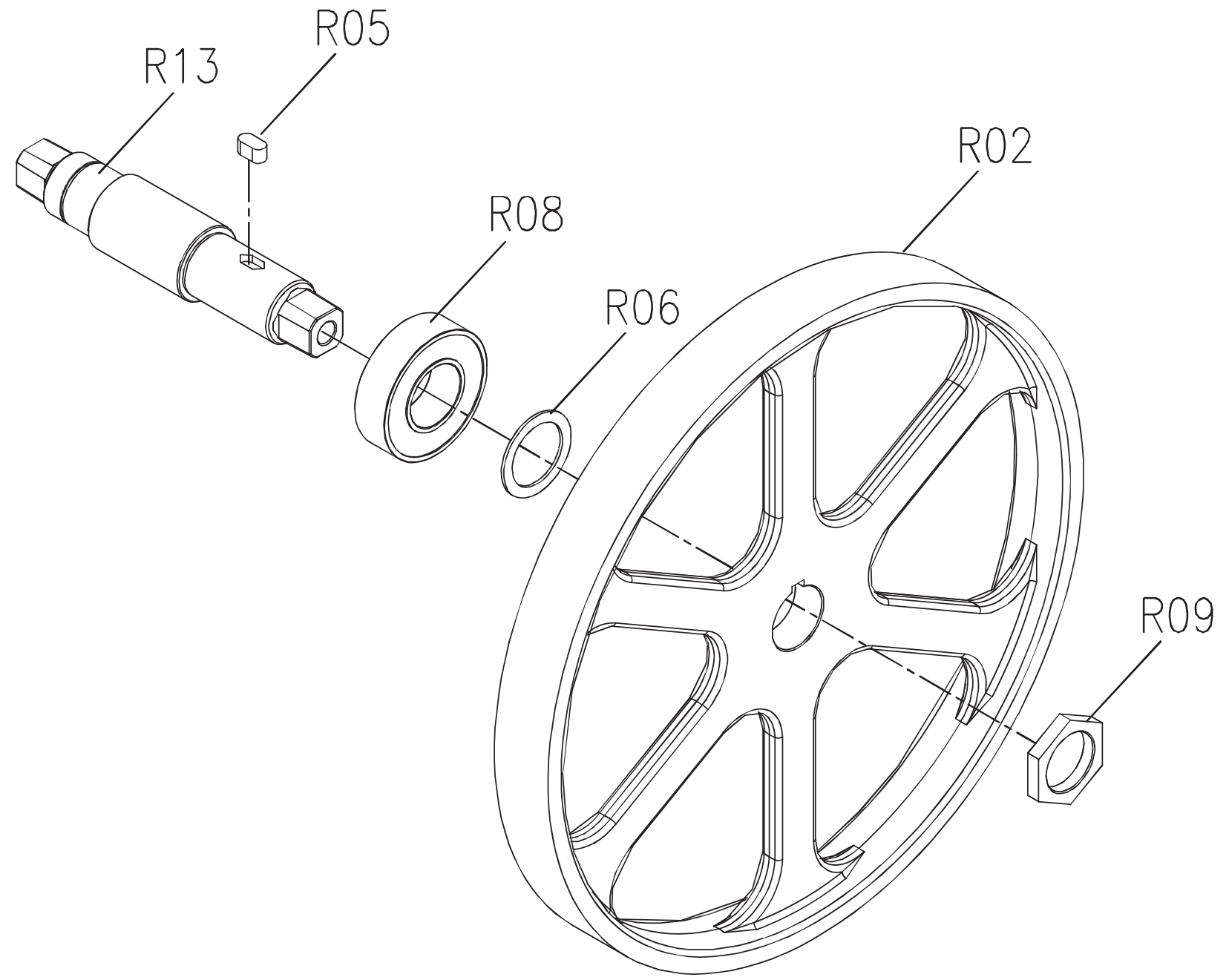
DRAWING NO	CB92-AG33		
PART NAME	Sensor set;L		
PART NO	1000309653 <sup>R</sup> <sub>REV</sub> B		
APPROVE	KEN	DATE	20130312



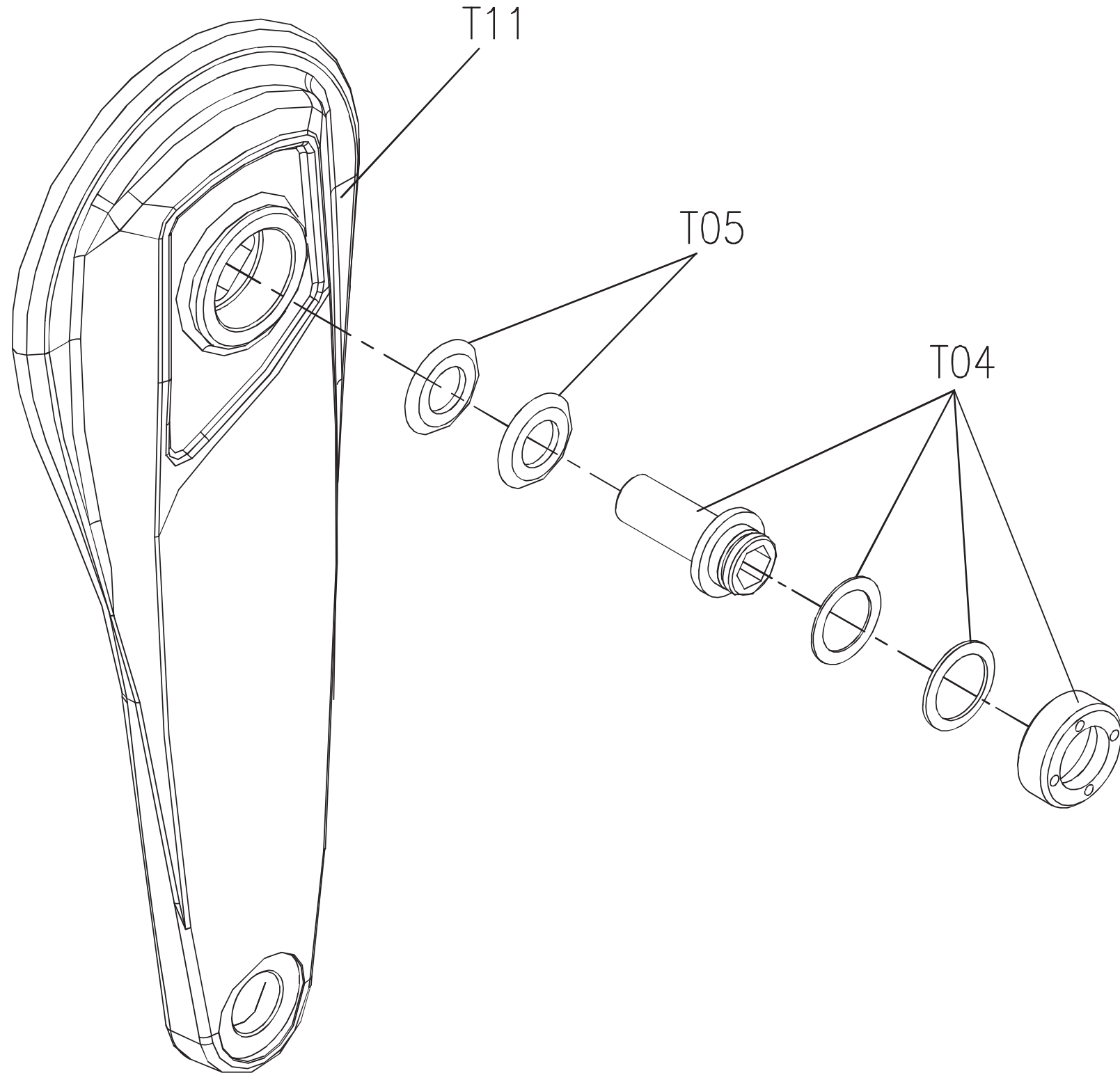
DRAWING NO	CB92-AG34		
PART NAME	Sensor set;R		
PART NO	1000309655 <sup>REV</sup> B		
APPROVE	KEN	DATE	20130312



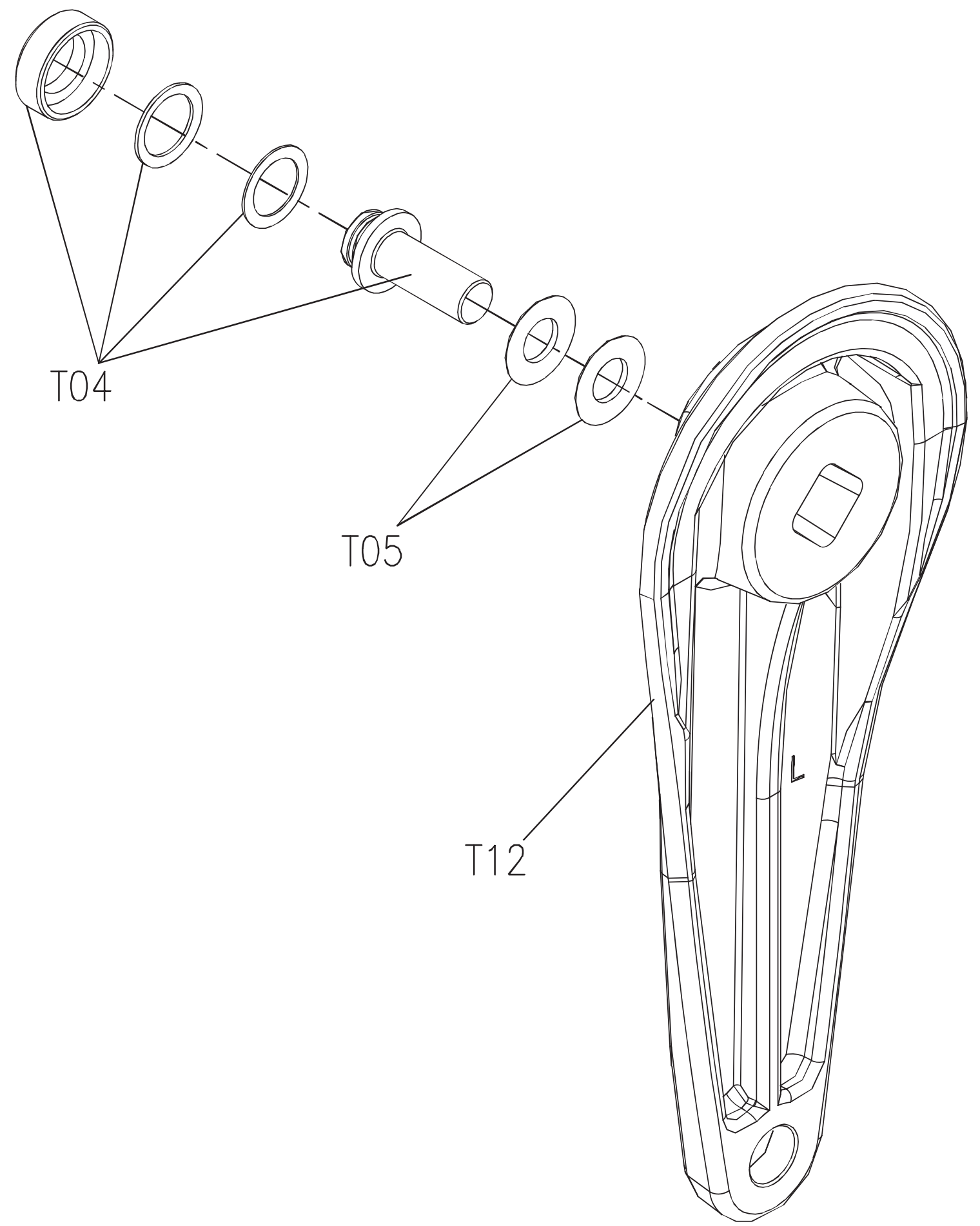
DRAWING NO	CB93-AR21		
PART NAME	Transmission Set		
PART NO	1000346721	$\frac{R}{E}$	B
APPROVE	KEN	DATE	20140408



DRAWING NO	CB92-AT21		
PART NAME	Crank Set;R		
PART NO	1000346727	REV	B
APPROVE	KEN	DATE	20140408



DRAWING NO	CB92-AT22		
PART NAME	Crank Set;L		
PART NO	1000346728 <small>REV</small> B		
APPROVE	KEN	DATE	20140408



DRAWING NO	CB95-AC12				
PART NAME	CONSOLE MAST SET				
PART NO	See attached chart <table border="1" style="display: inline-table; vertical-align: middle;"><tr><td>REV</td><td>C</td></tr></table>			REV	C
REV	C				
APPROVE	Amber	DATE	20191213		

SAP No.	Description
1000434826	SILVER
1000435103	BLACK MATTE
1000442541	DOUBLE BLACK MATTE
1000447417	Graphite Grey 202020
1000447430	DOUBLE Graphite Grey 202020

