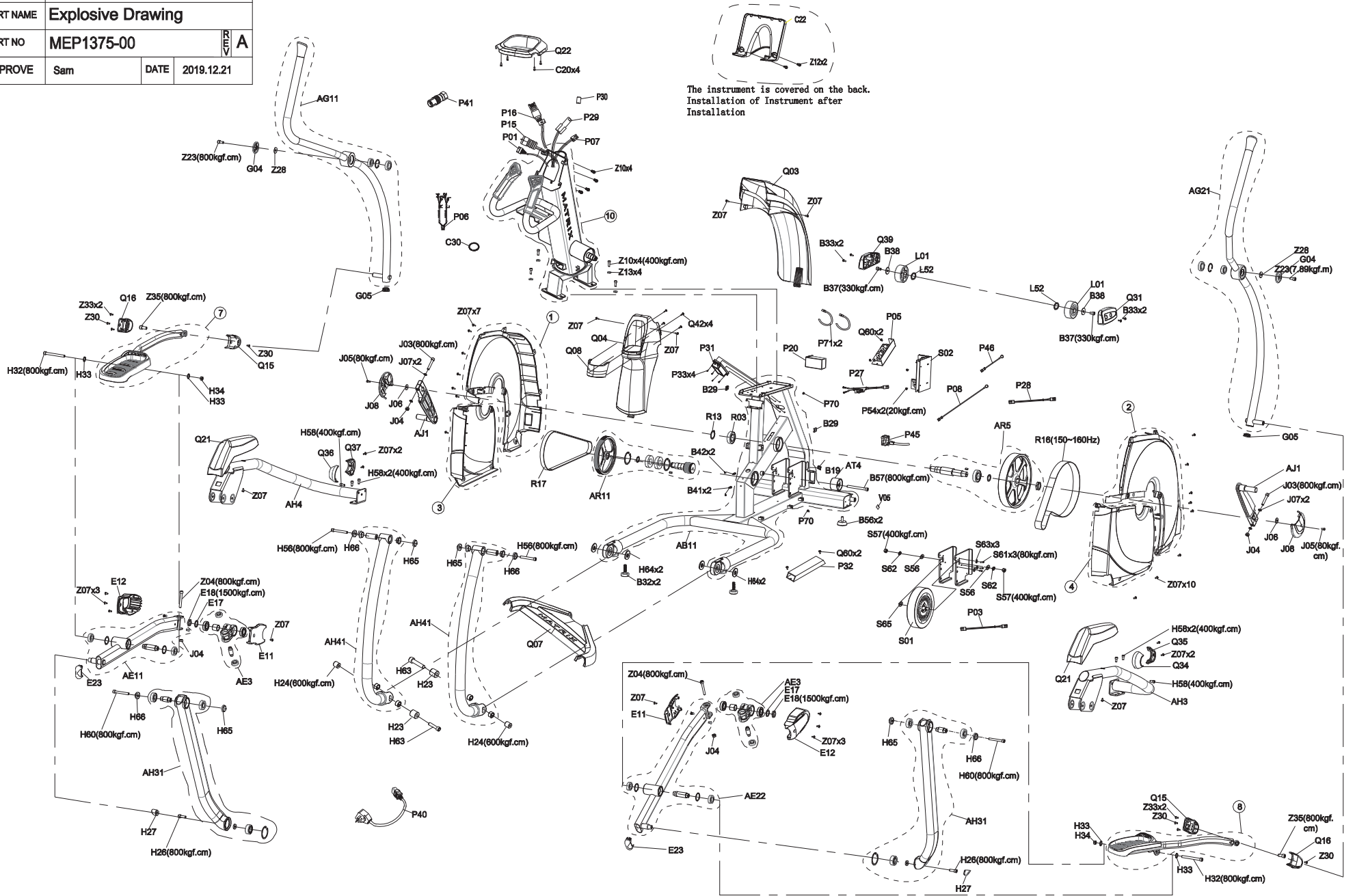
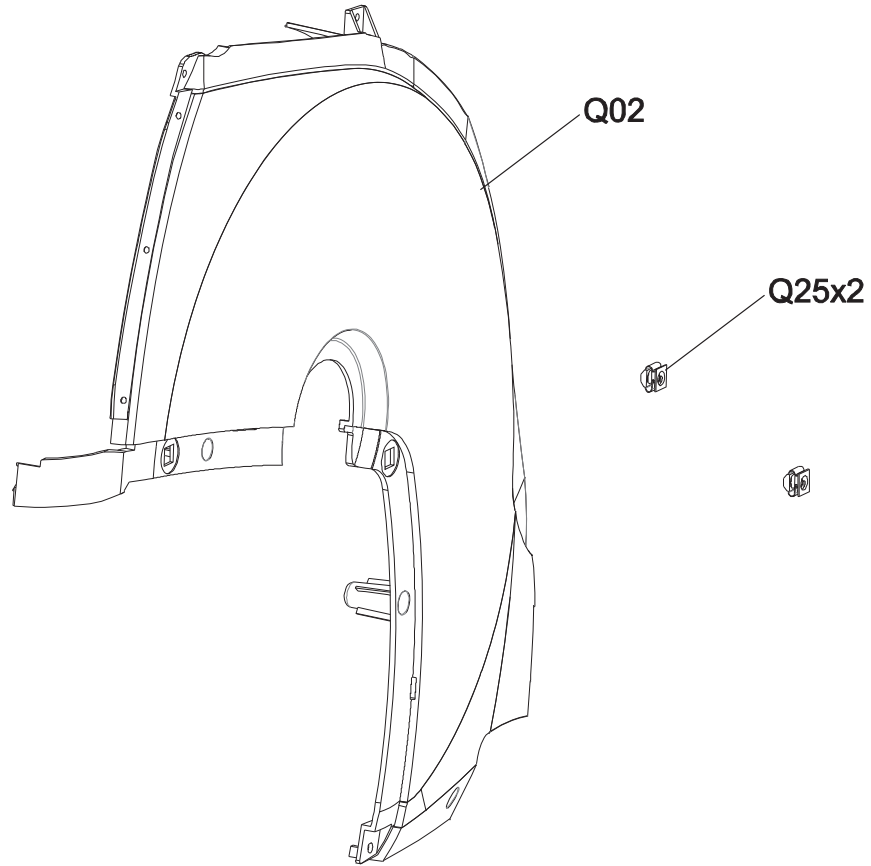


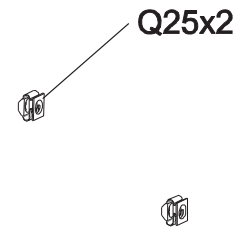
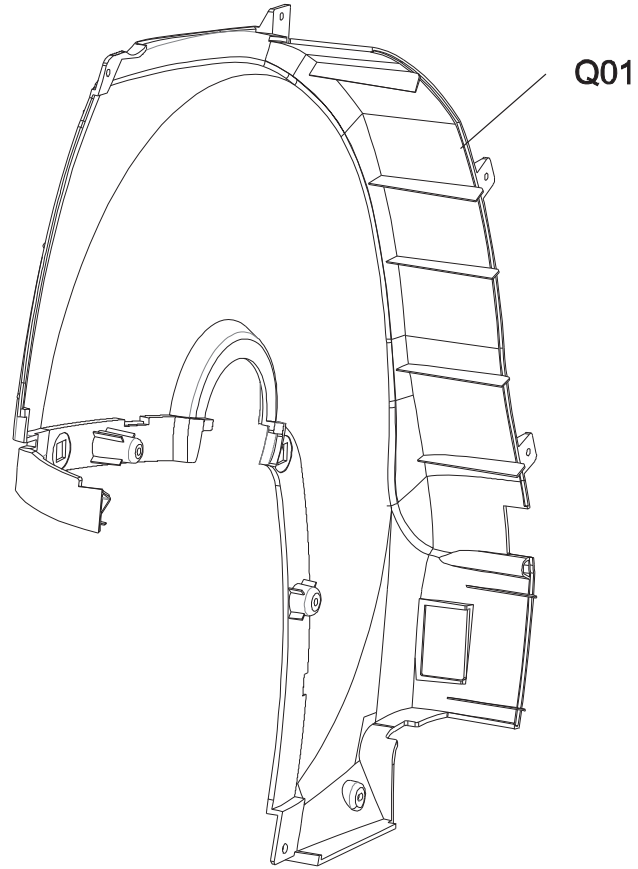
DRAWING NO	PEP719C-US/KM-F		
PART NAME	Explosive Drawing		
PART NO	MEP1375-00	REV	A
APPROVE	Sam	DATE	2019.12.21



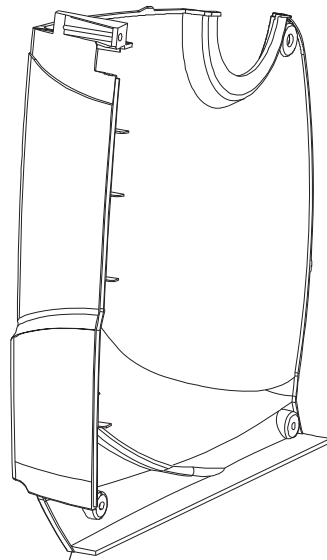
DRAWING NO	EP591-AQ2		
PART NAME	Side Cover Set;Right Up		
PART NO	1000386600		A
APPROVE	Sam	DATE	2020.01.20



DRAWING NO	EP591-AQ1		
PART NAME	Side Cover Set;Left Up		
PART NO	1000386601	REV	A
APPROVE	Sam	DATE	2020.01.20



DRAWING NO	EP591-AQ6		
PART NAME	Side Cover Set;Left Down		
PART NO	1000386602	REV	A
APPROVE	Sam	DATE	2020.1.20



Q06

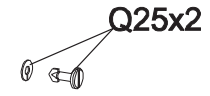
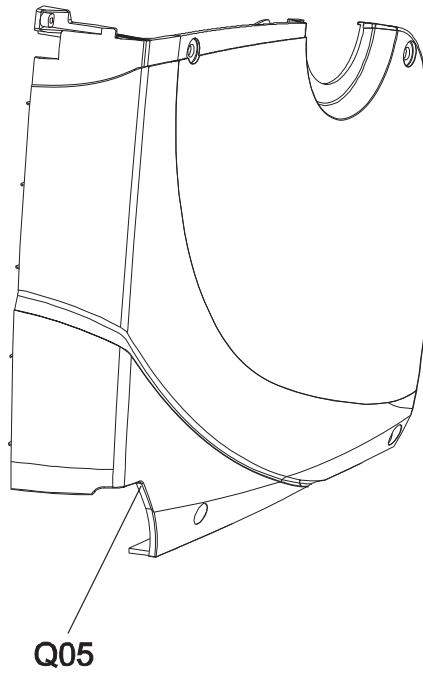
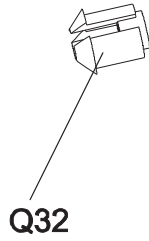
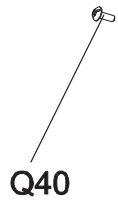


Q33

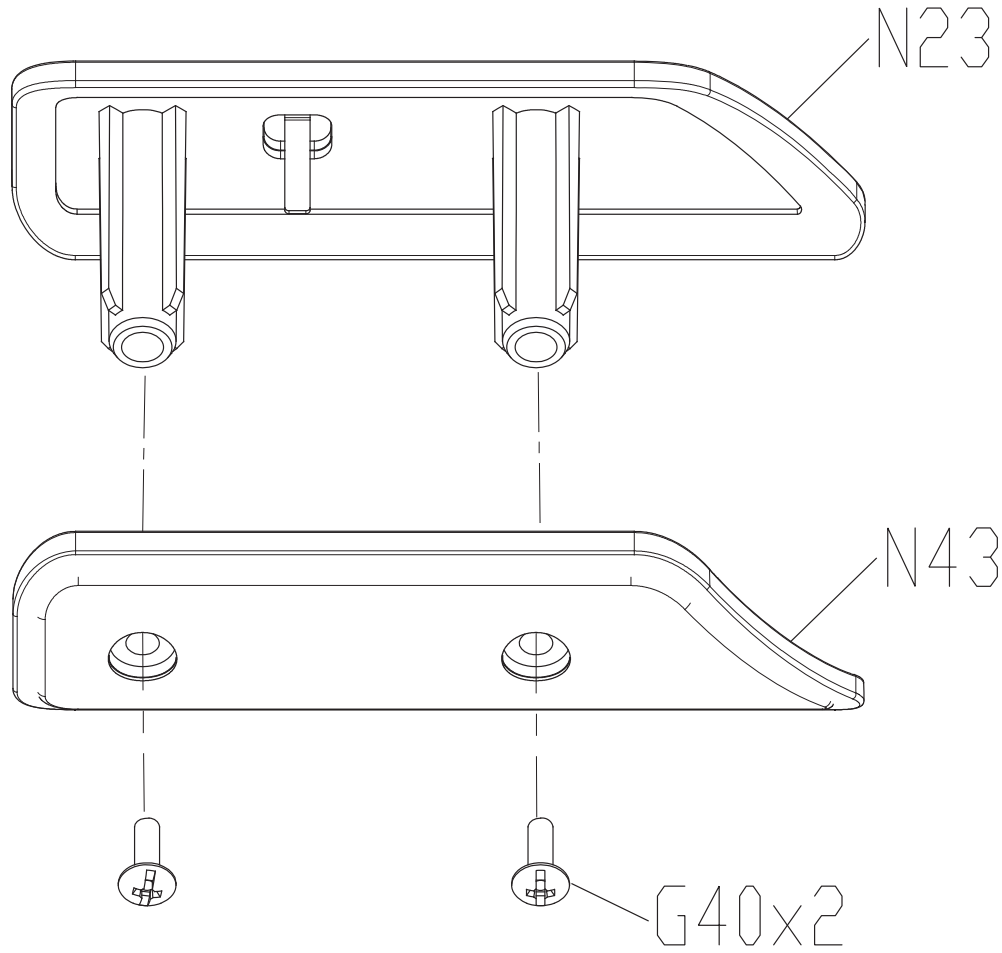


Q41

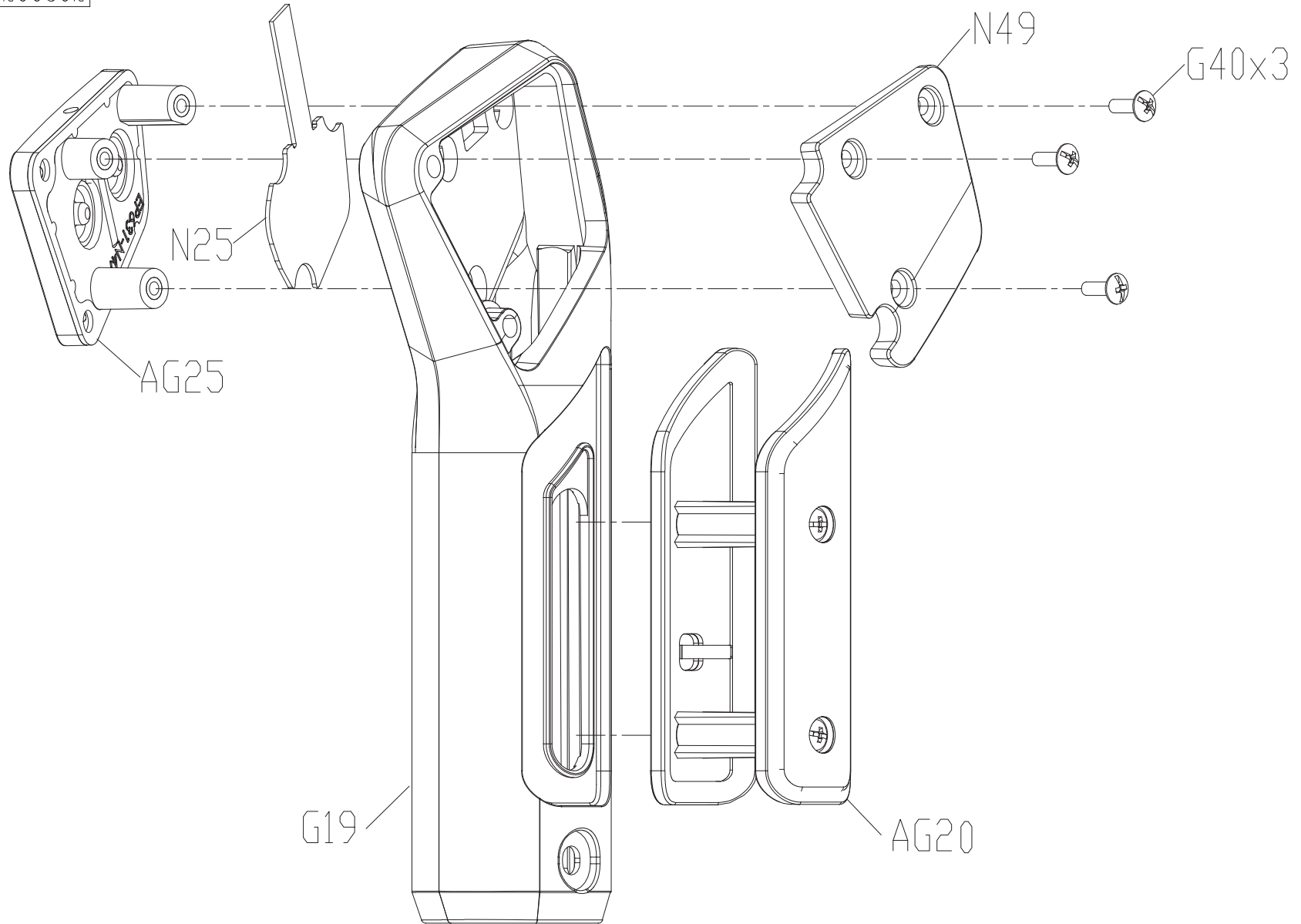
DRAWING NO	EP591-AQ5		
PART NAME	Side Cover Set;Right Down		
PART NO	1000386603		A
APPROVE	Sam	DATE	2020.01.20



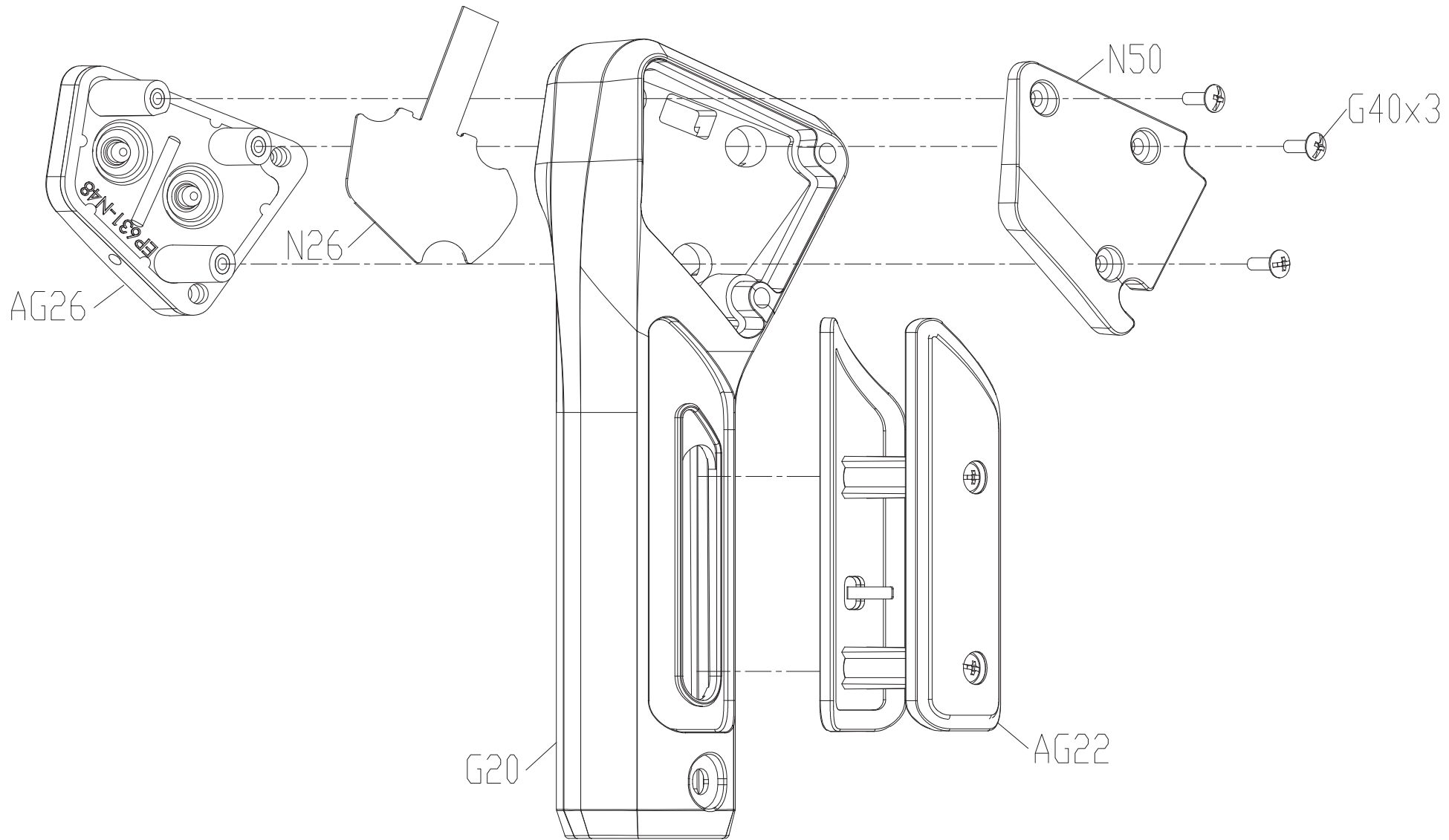
DRAWING NO	CS33-AG21		
PART NAME	Pulse Sensor Set;Grip;left		
PART NO	1000433339 ^R / _{REV} B		
APPROVE	BROOK	DATE	20190514



DRAWING NO	CS33-AG7	
PART NAME	Hand Pulse Set;Quickly Key;left	
PART NO	1000437064	
APPROVE	BROOK	DATE 20200302

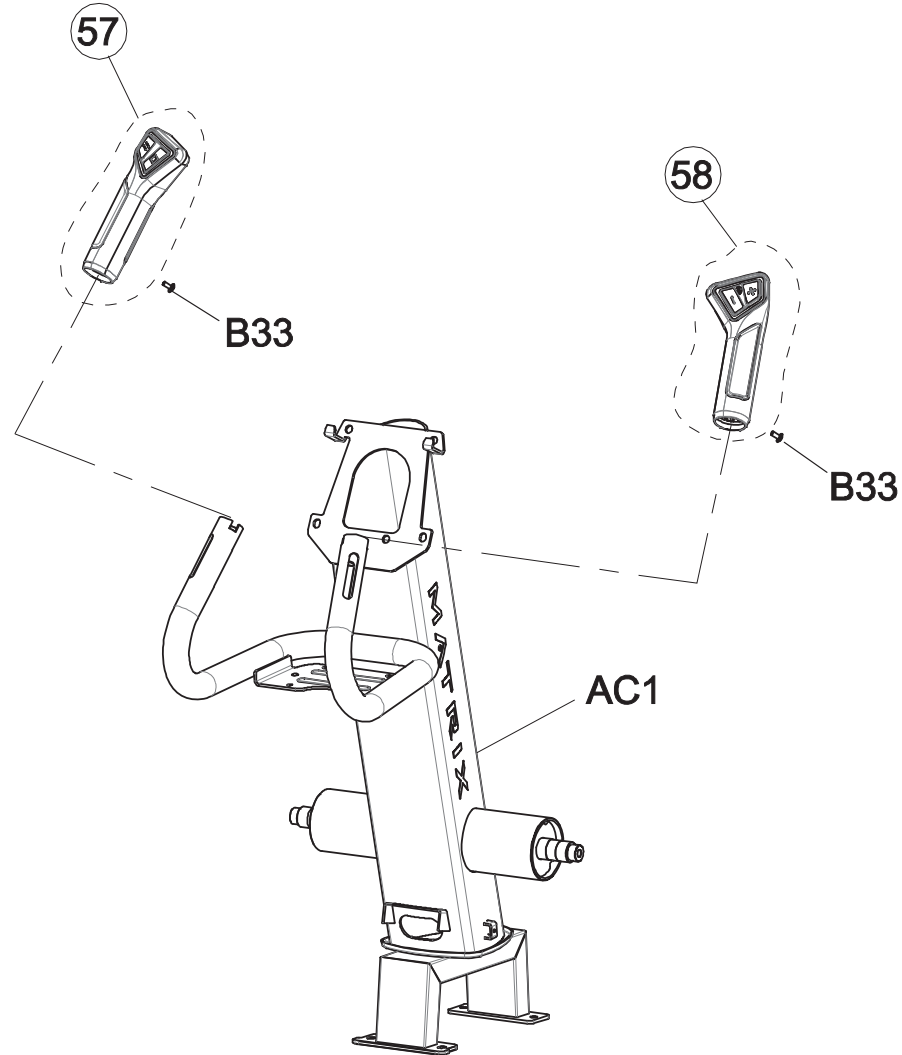


DRAWING NO	CS33-AG8		
PART NAME	Hand Pulse Set;Quickly Key:right		
PART NO	1000437065		
APPROVE	BROOK	DATE	20200302



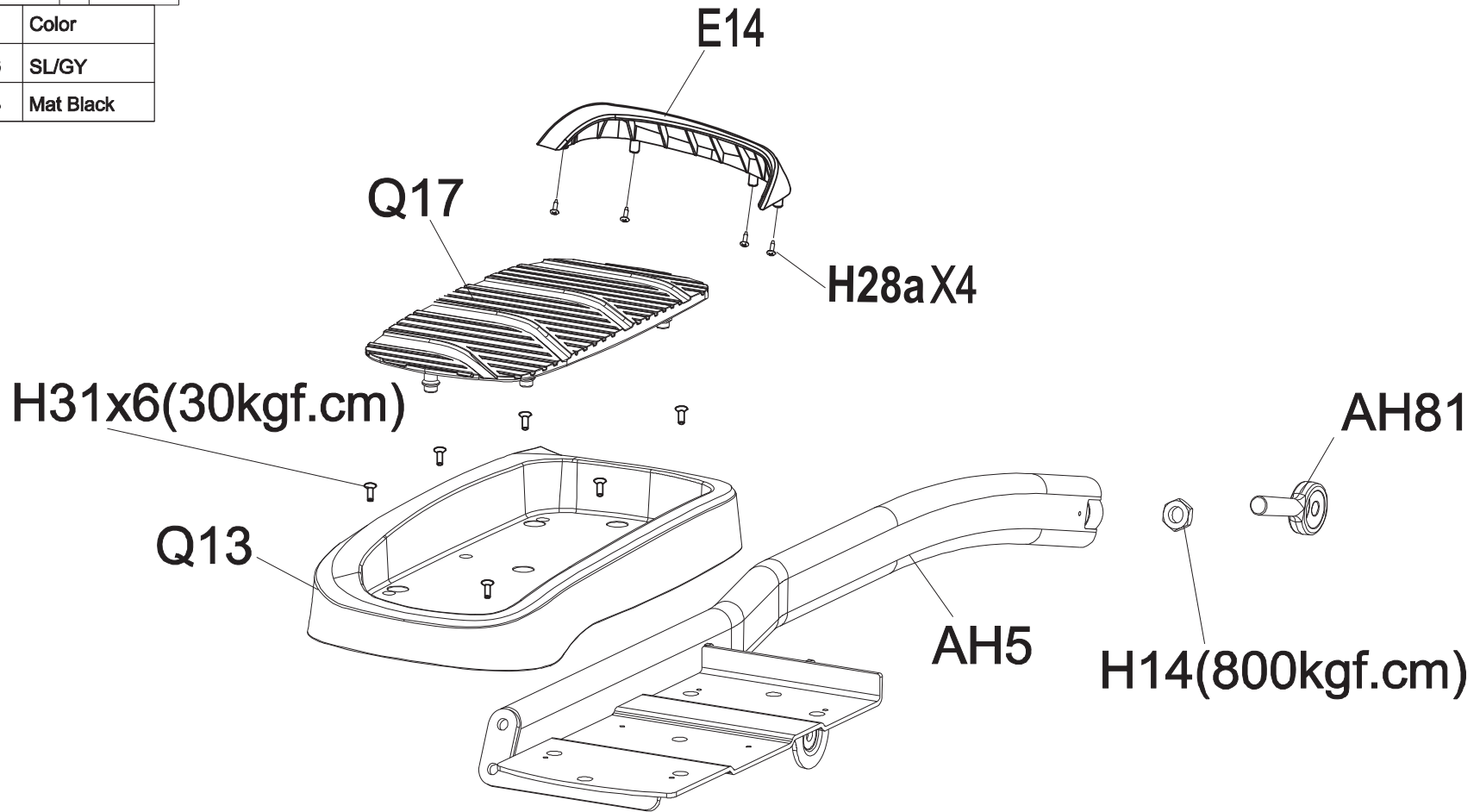
DRAWING NO	EP719-AC11		
PART NAME	Console mast set;Semi-Assy		
PART NO	See Chart		A
APPROVE	Sam	DATE	2019.12.21

Part NO.	Color
1000445381	Black Matte
1000445909	Silver gray
1000448576	Graphite Gray

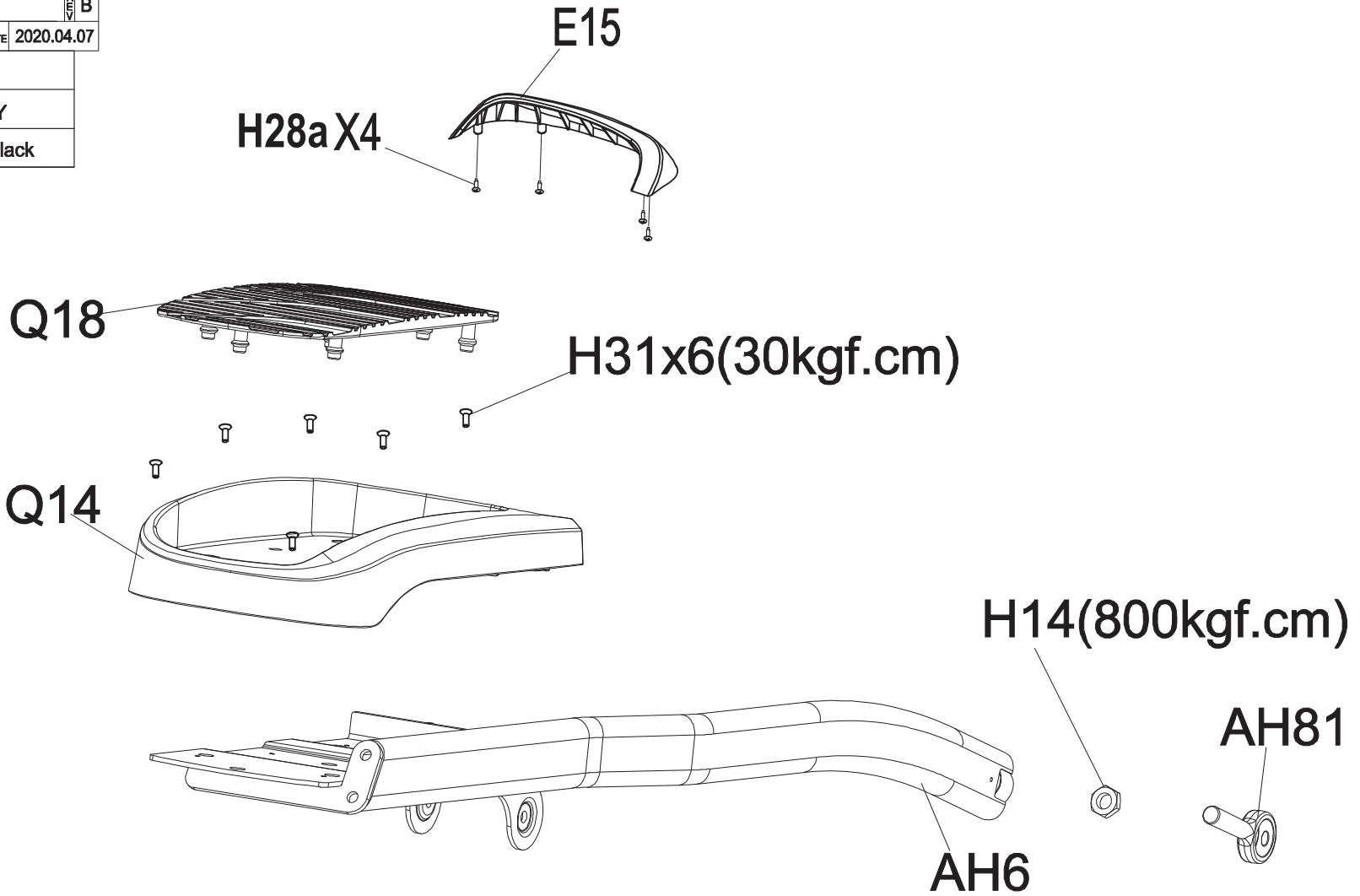


DRAWING NO	EP591-A15	
PART NAME	Link Arm Set;Left	
PART NO	See Chart	REV B
APPROVE	Sam	DATE 2020.04.07

Part NO.	Color
1000399216	SL/GY
1000450403	Mat Black

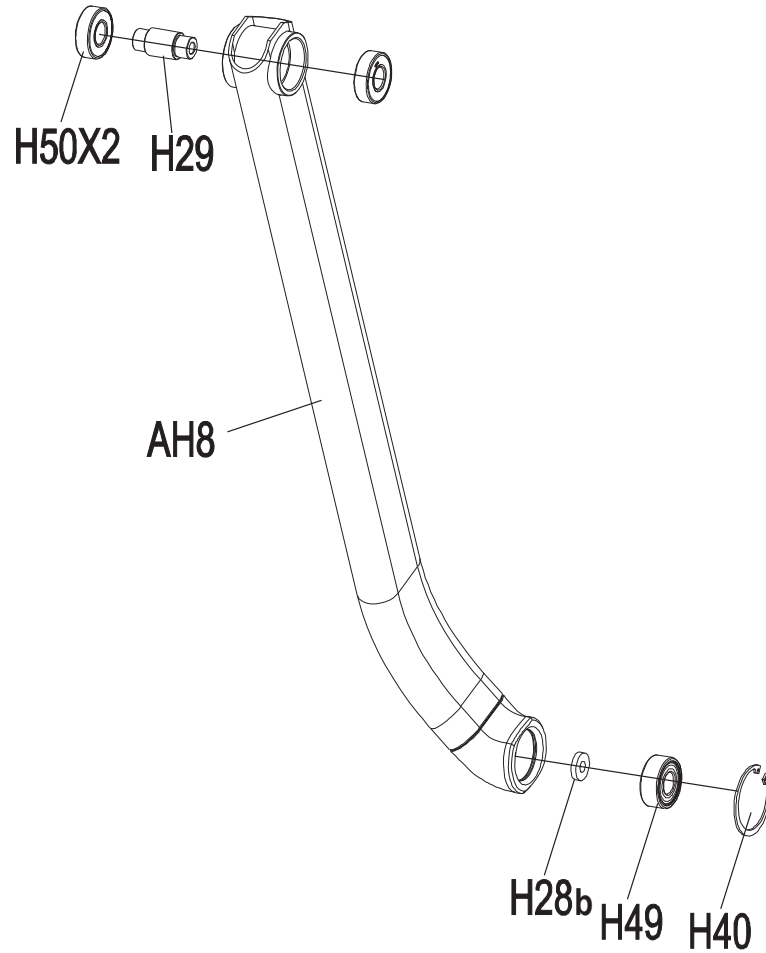


DRAWING NO	EP591-A16		
PART NAME	Link Arm Set;Right		
PART NO	See Chart	REV	B
APPROVE	Sam	DATE	2020.04.07
Part NO.	Color		
1000399217	SL/GY		
1000450404	Mat Black		

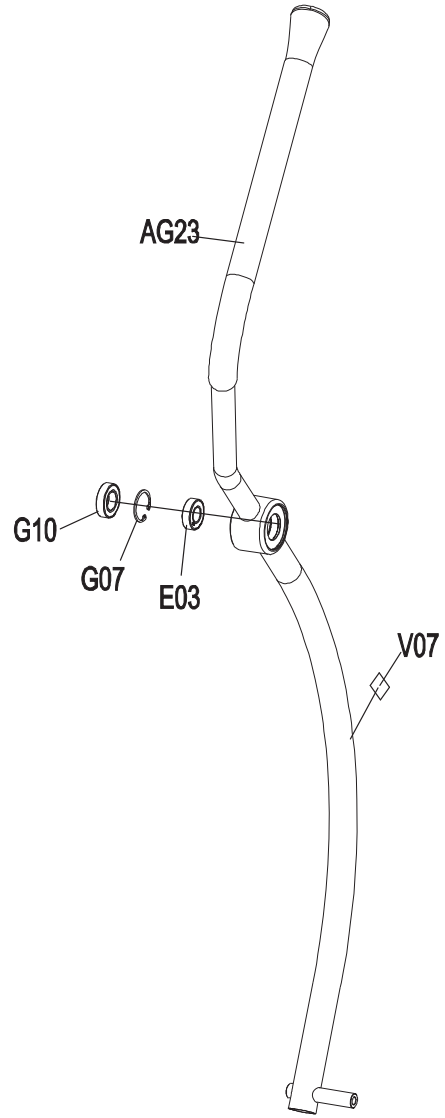


DRAWING NO	EP591-AH31		
PART NAME	Swing Arm Set		
PART NO	See Chart	REV	A
APPROVE	Sam	DATE	2020.04.07

Part NO.	Color
1000347297	SL/GY
1000450839	Mat Black



DRAWING NO	EP719-AG21		
PART NAME	Arm Rest Set;Semi-Assy;right		
PART NO	1000450854	REV	A
APPROVE	Sam	DATE	2020.04.07



DRAWING NO	EP719-AG11		
PART NAME	Arm Rest Set;Semi-Assy;left		
PART NO	1000450855	REV	A
APPROVE	Sam	DATE	2020.04.07

