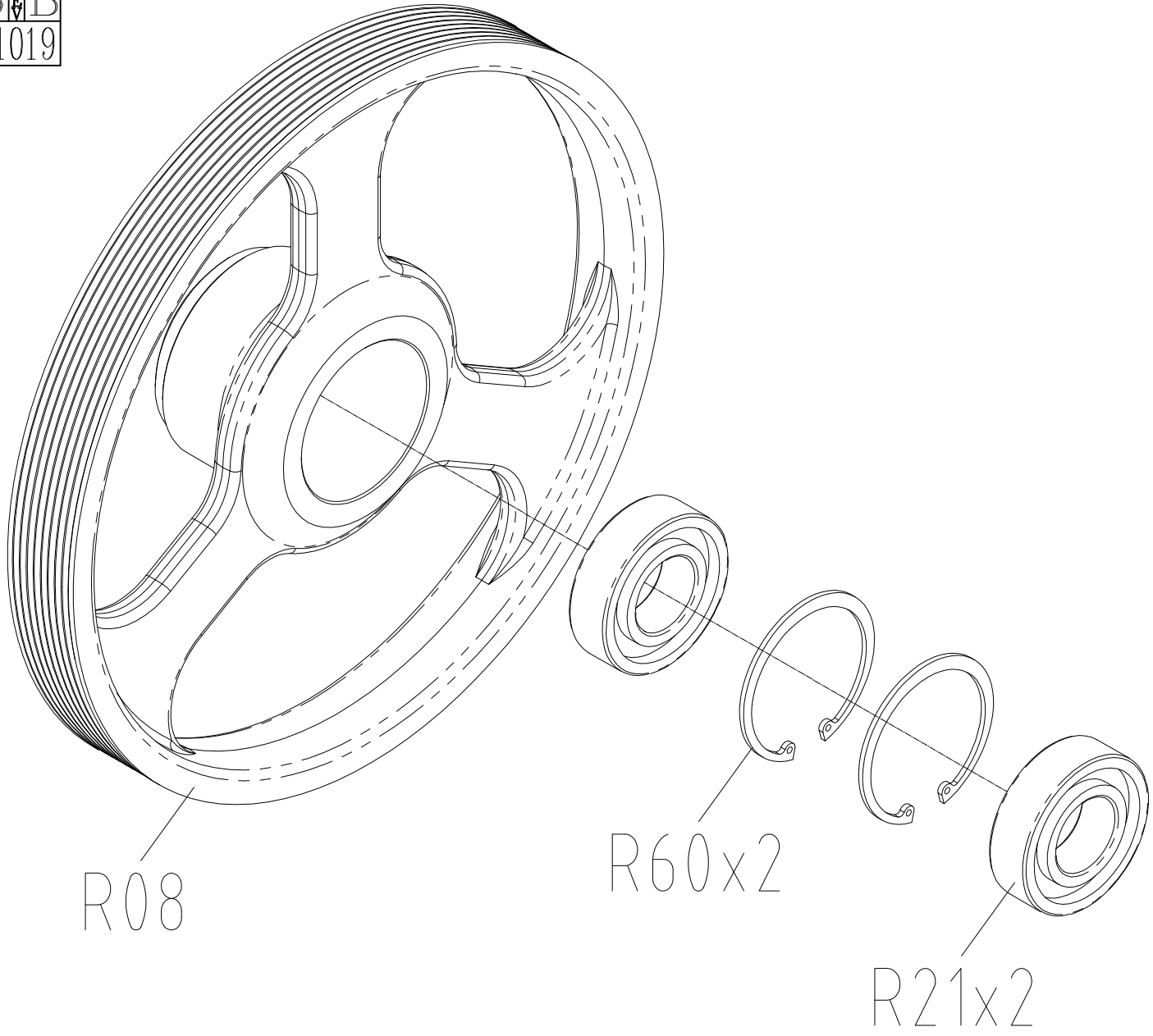
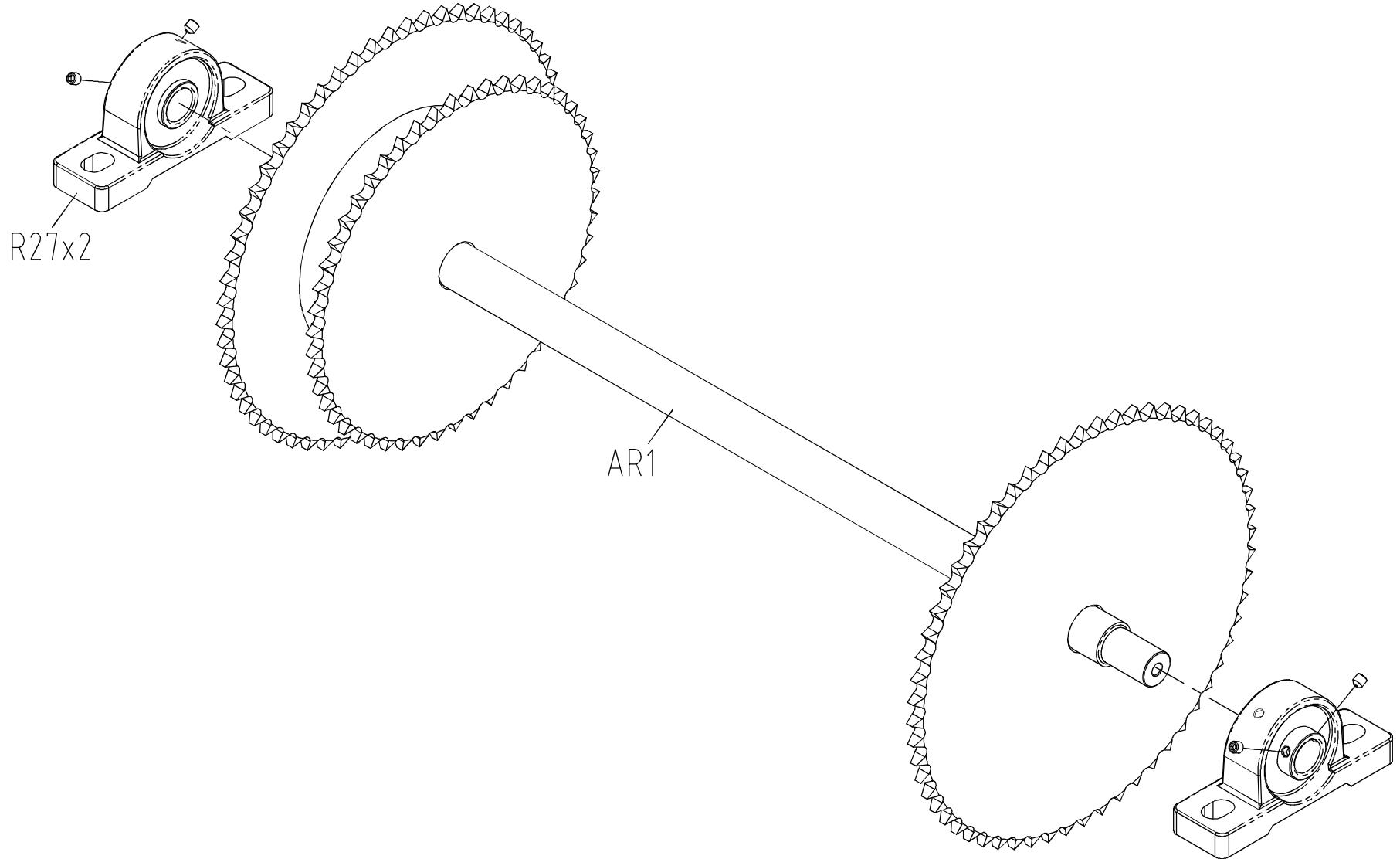


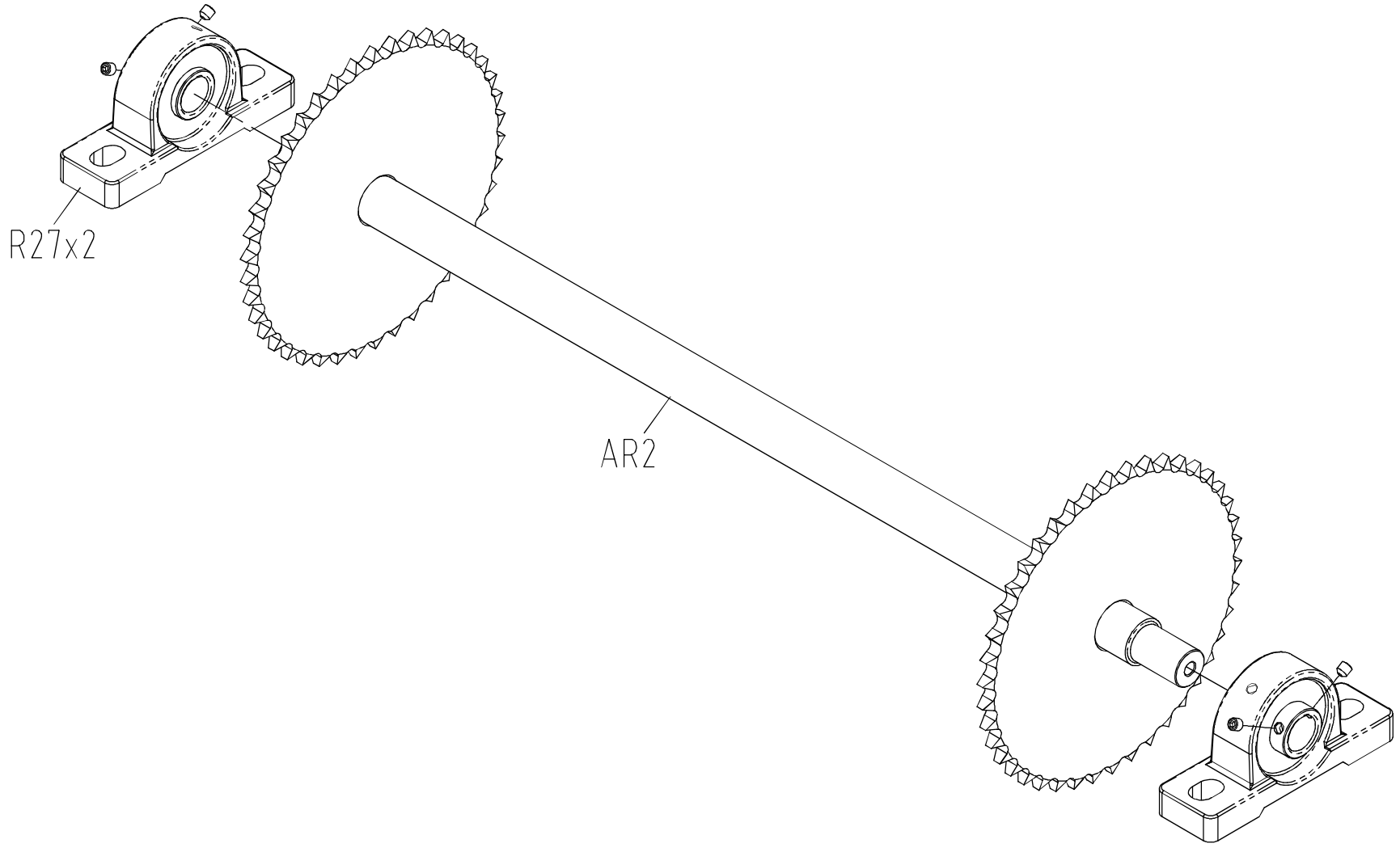
DRAWING NO	CS17-AR4		
PART NAME	PULLEY SET		
PART NO	1000212516 REV B		
APPROVE	JOHNNY	DATE	20111019




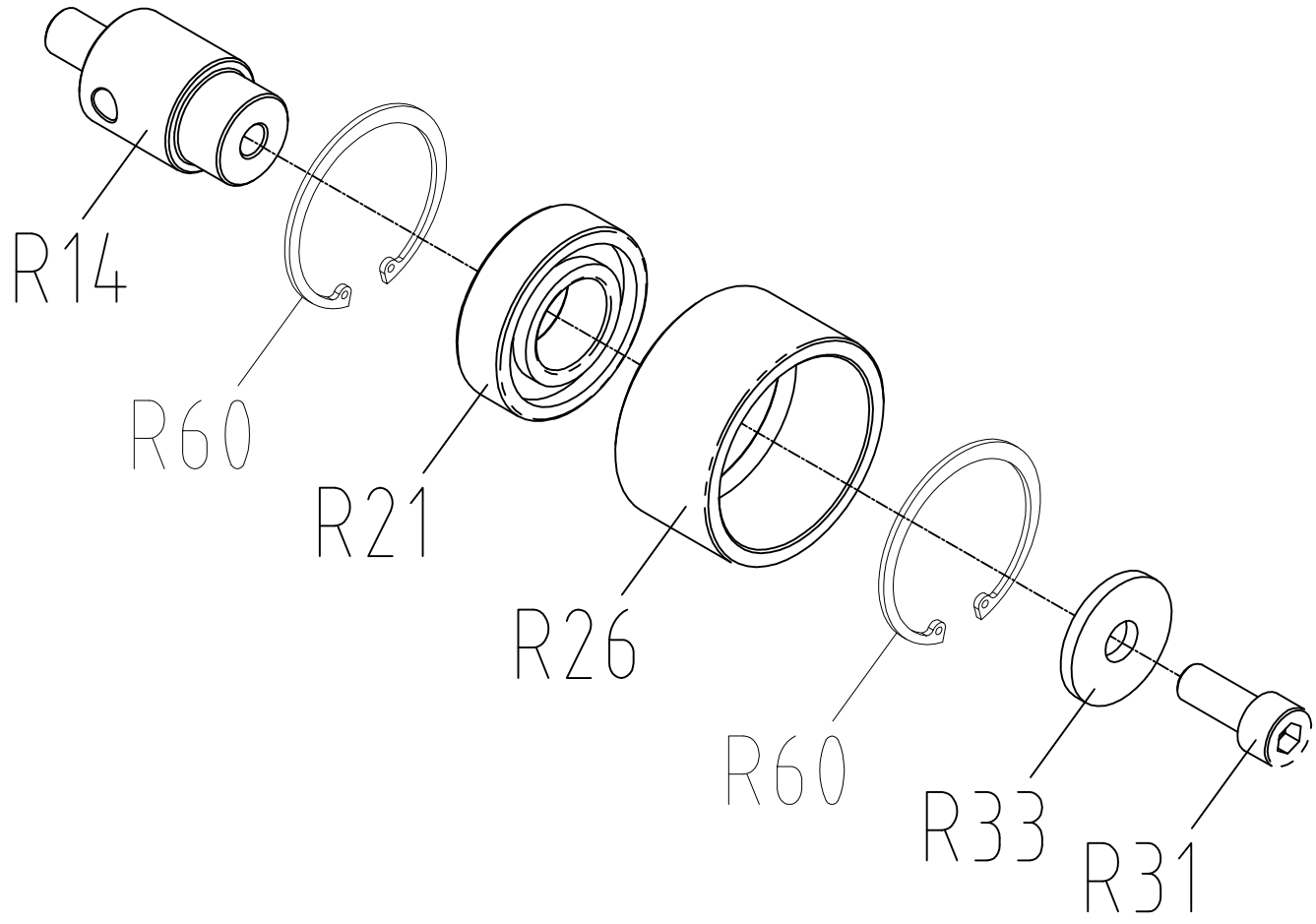
DRAWING NO	CS17-AR6	
PART NAME	SPROCKET SET:FRONT	
PART NO	1000212922	
APPROVE	S.T.C	DATE 20131231



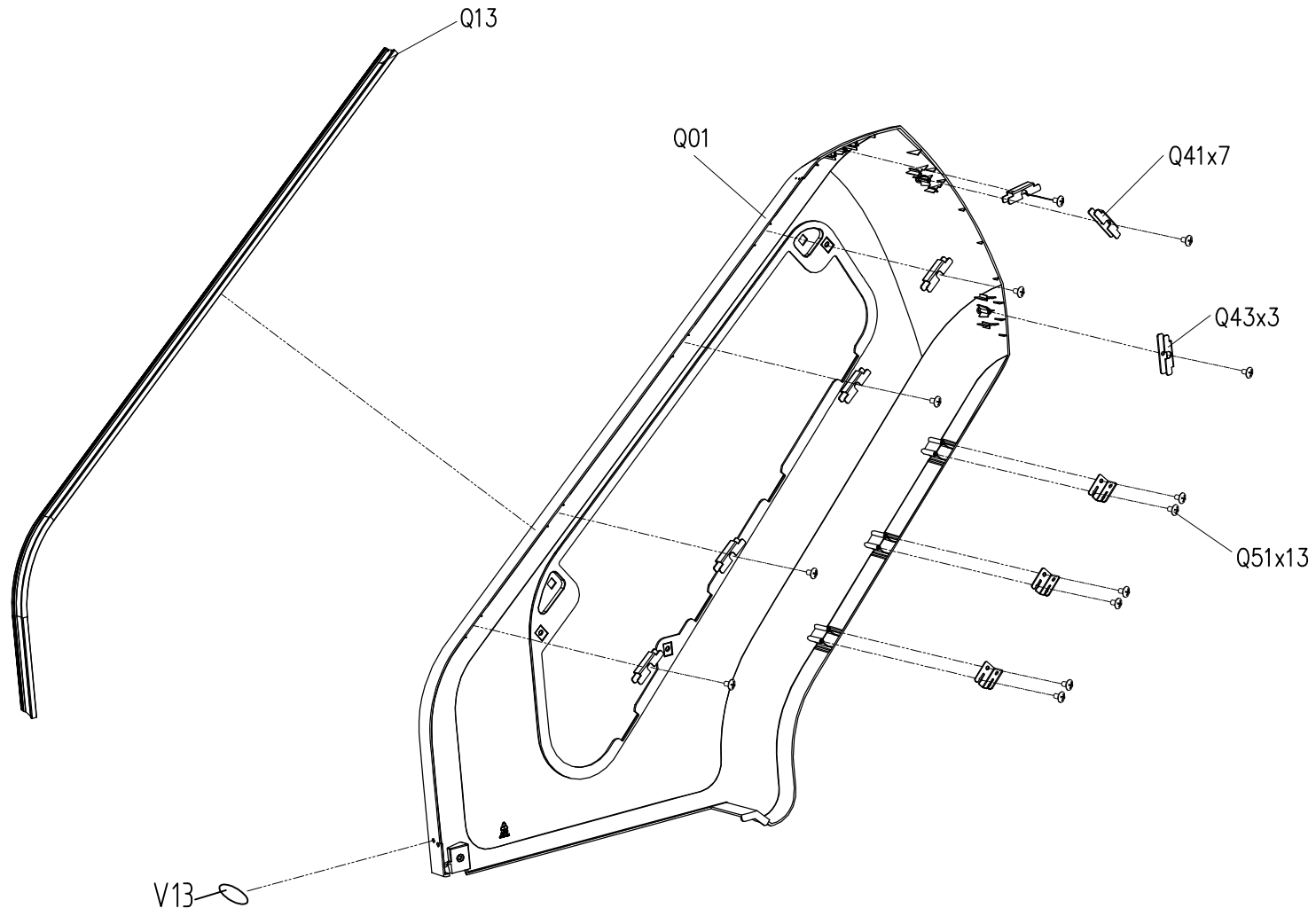
DRAWING NO	CS17-AR7		
PART NAME	SPROCKET_SET;REAR		
PART NO	1000212923		
APPROVE	S.T.C	DATE	20131231




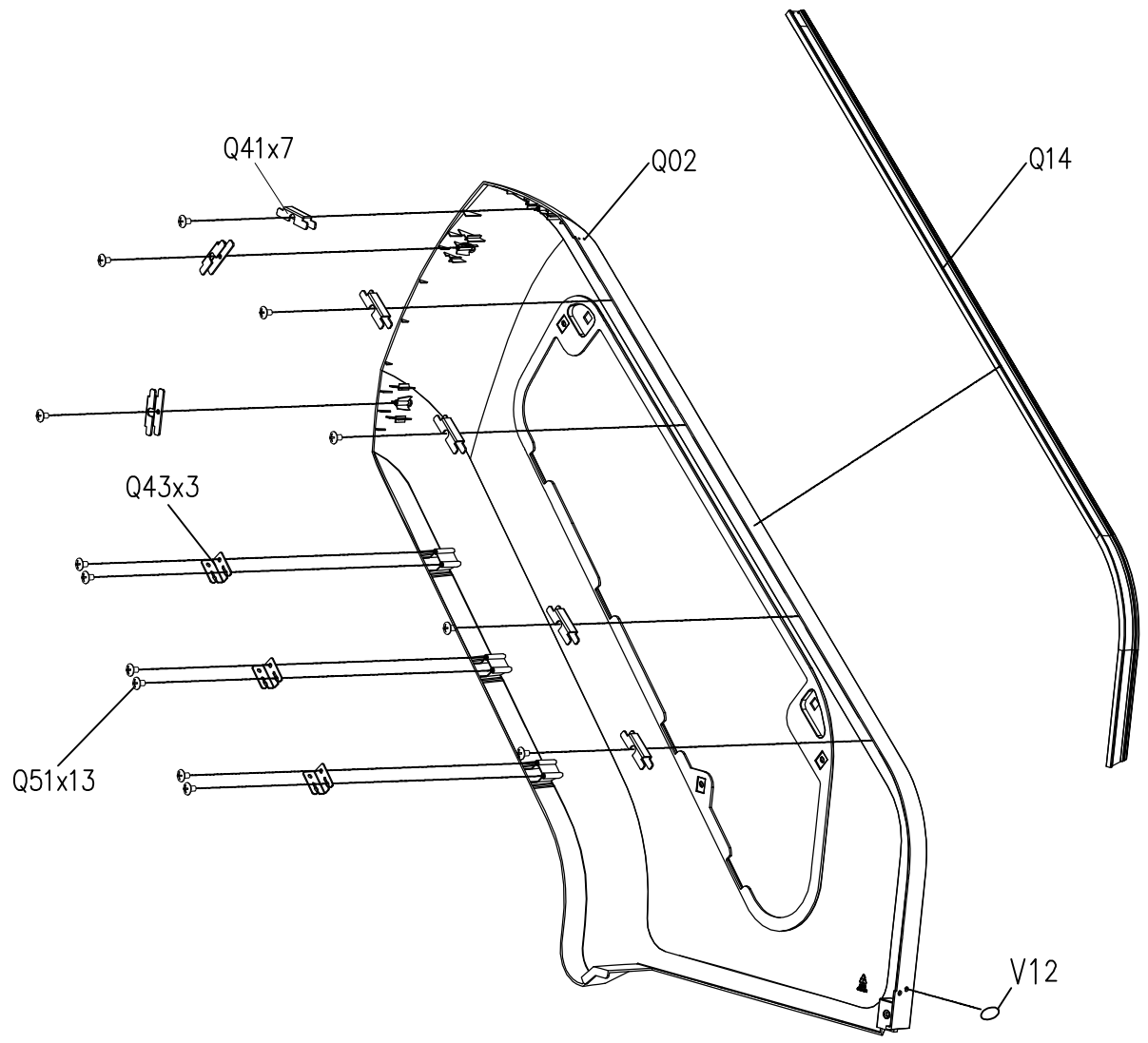
DRAWING NO	CS17-AR9		
PART NAME	IDLER_SET		
PART NO	1000217719  B		
APPROVE	JOHNNY	DATE	20111020



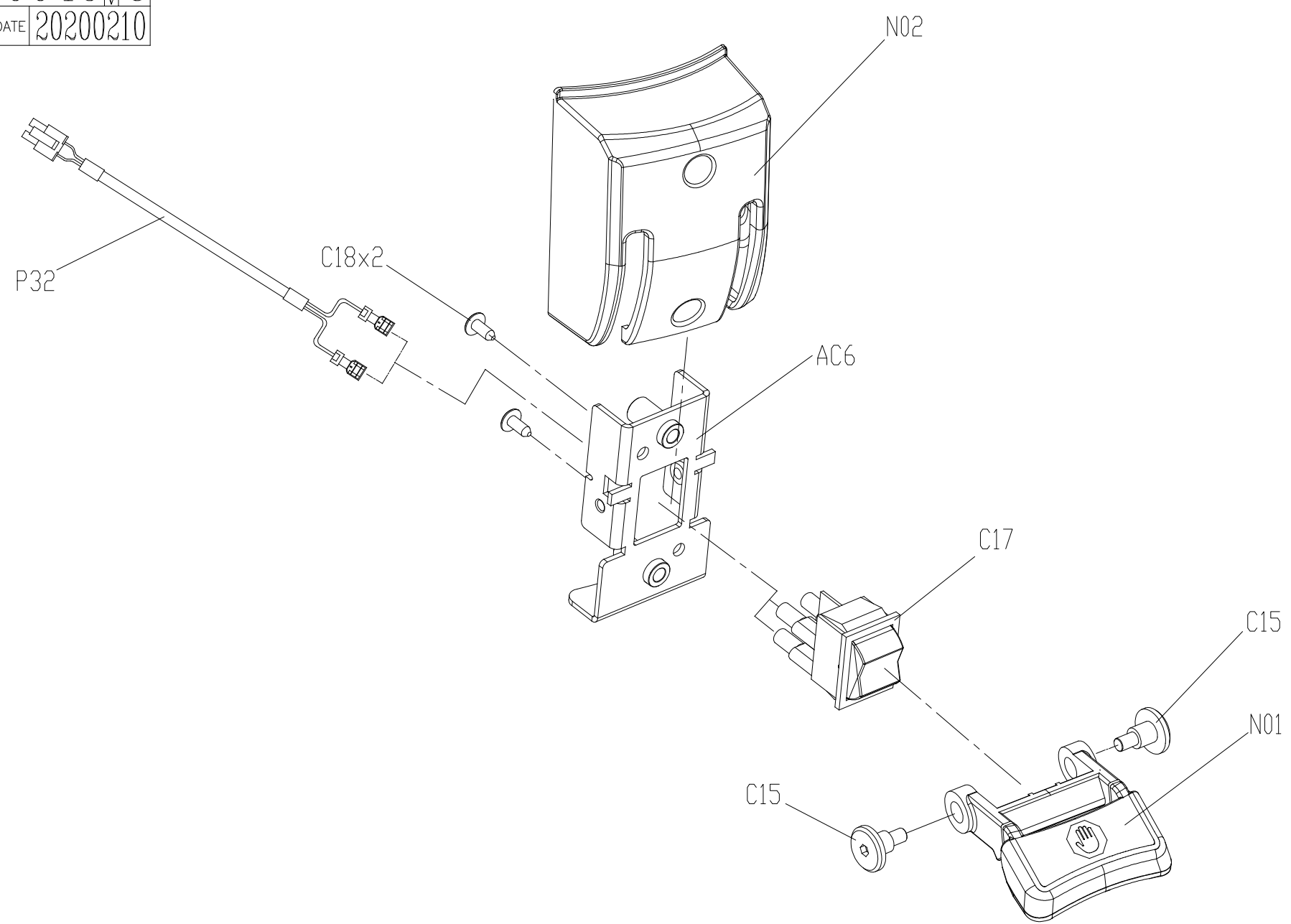
DRAWING NO	CS21-AQ11		
PART NAME	SIDE_COVER_SET;L		
PART NO	1000229943 B		
APPROVE	Kenny	DATE	20130423



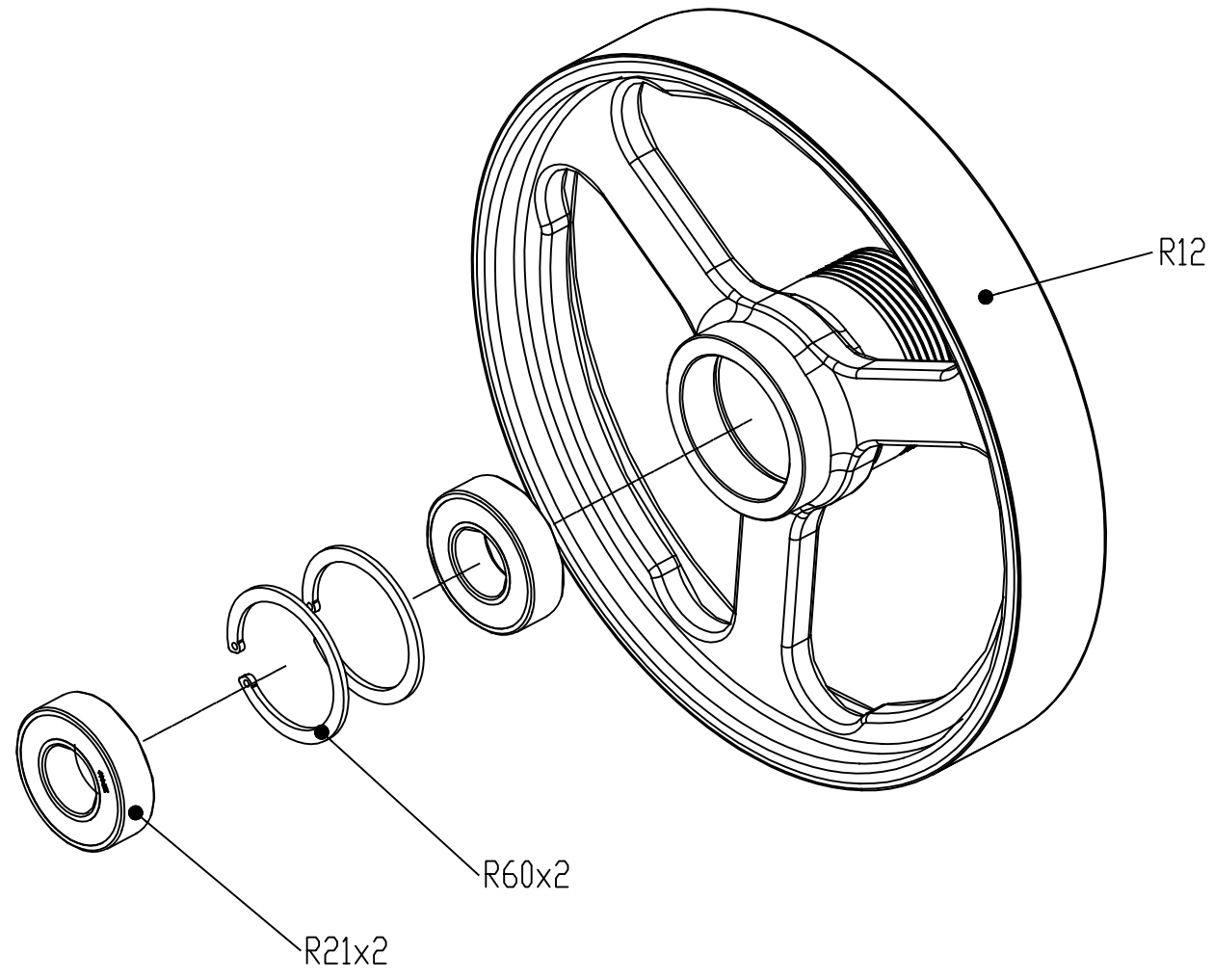
DRAWING NO	CS21-AQ12		
PART NAME	SIDE_COVER_SET;R		
PART NO	1000229944  B		
APPROVE	KENNY	DATE	20130423



DRAWING NO	CS29-AC5		
PART NAME	Safety Switch Set		
PART NO	1000400045 REV C		
APPROVE	JIMMY	DATE	20200210

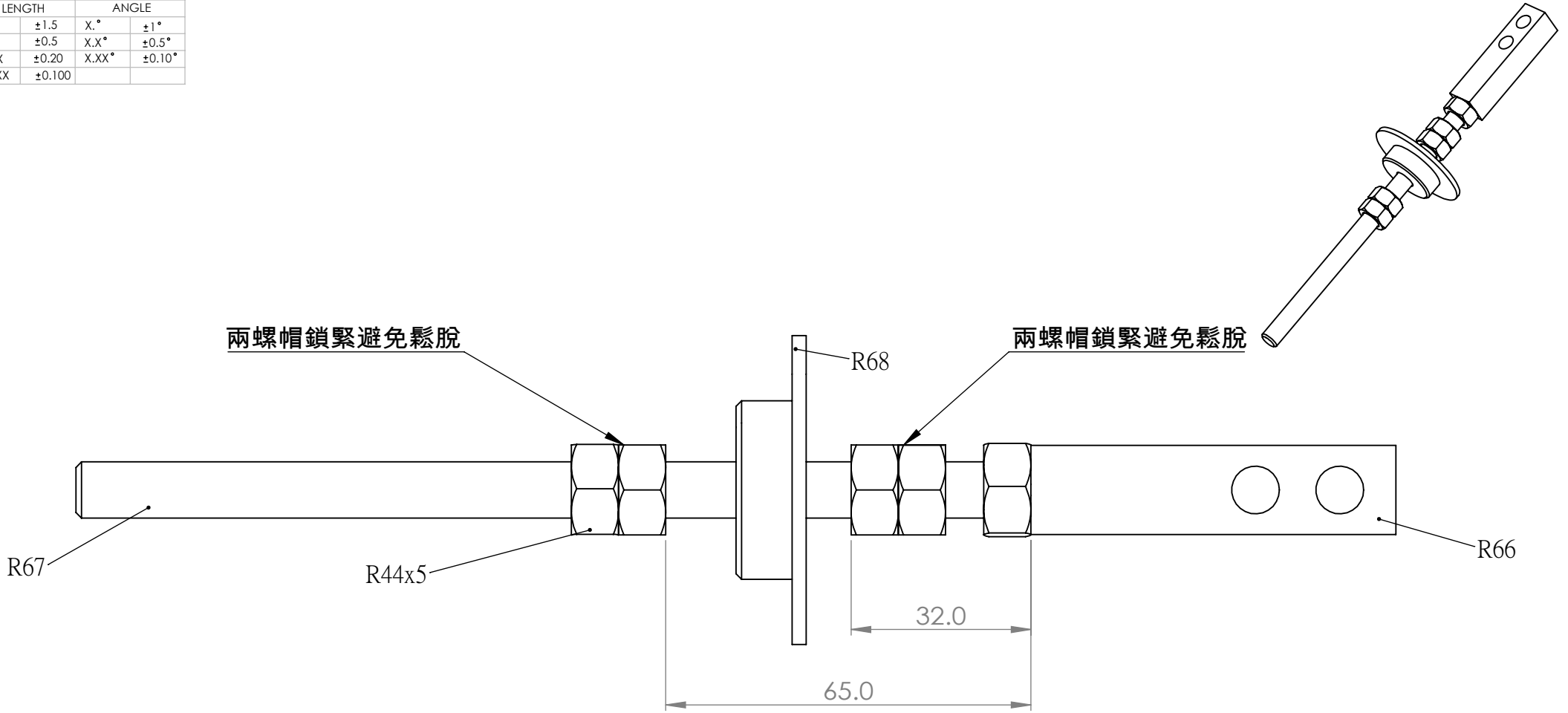


DRAWING NO	CS29-AR5		
PART NAME	Fly Wheel Set		
PART NO	1000400174 <small>REV</small> A		
APPROVE	MING	DATE	20170216



UNLESS OTHERWISE SPECIFIED TOLERANCES ARE:


LENGTH		ANGLE	
X.	±1.5	X.°	±1°
X.X	±0.5	X.X°	±0.5°
X.XX	±0.20	X.XX°	±0.10°
X.XXX	±0.100		

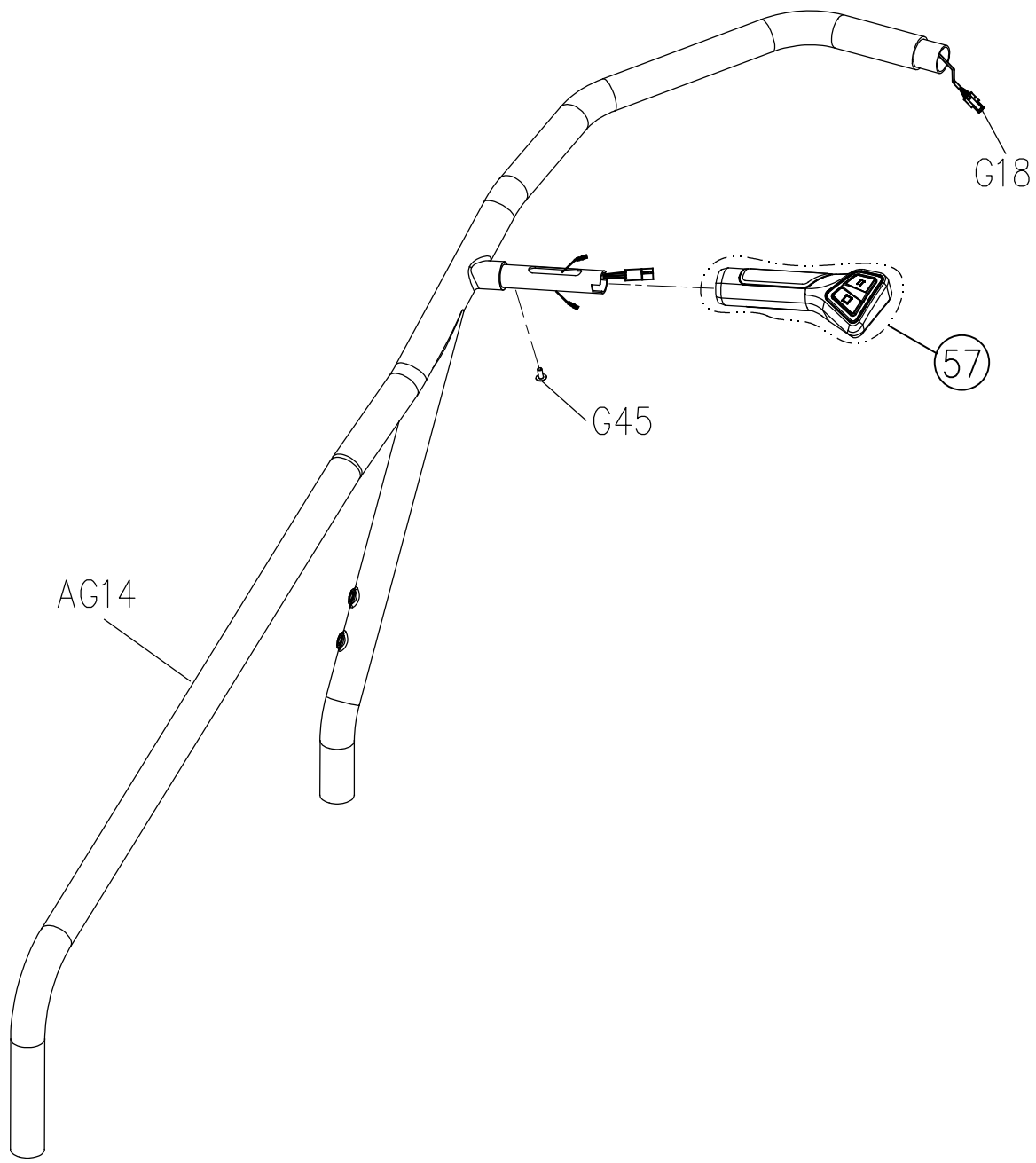


△							
△							
△							
△							
A		RELEASED FOR TOOLING	HUNTER	022217	MING	011617	
LET 項目	ECO NO 設變單號	DESCRIPTION 修改內容	APPROVER 審核	DATE 日期	DESIGN 設計	DATE 日期	

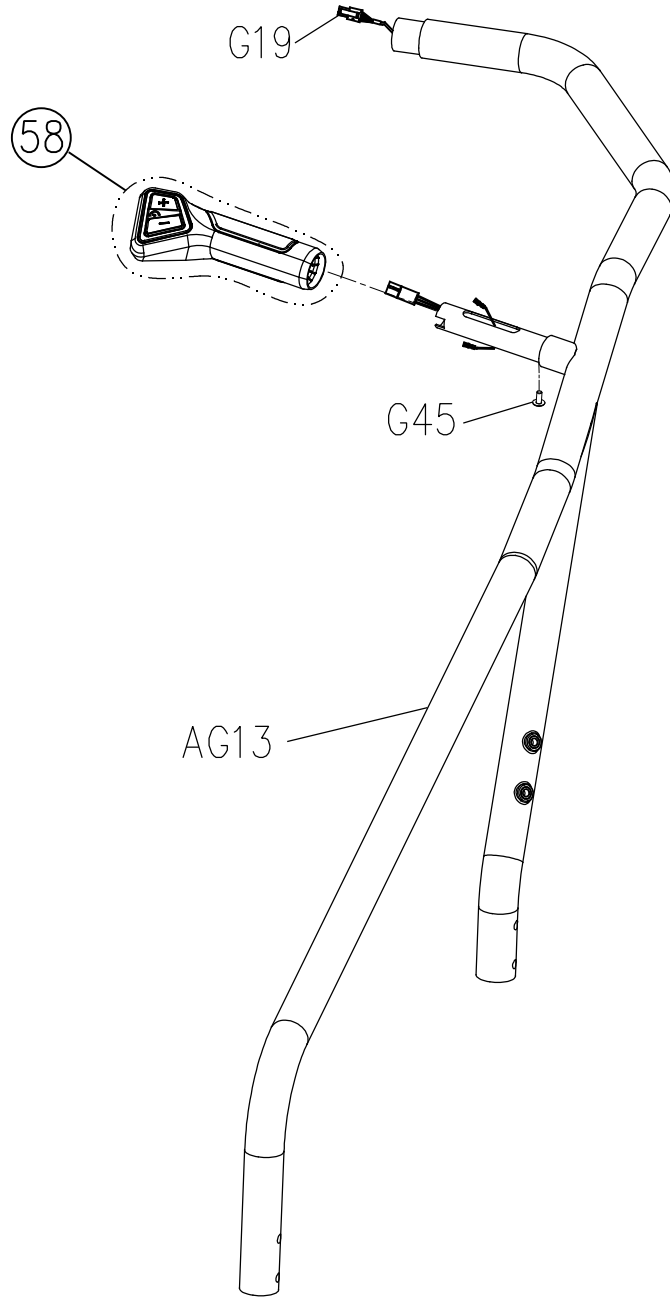
UNIT 單位	mm	MODEL NO 機種	C-3X-02-F	狀態 STATE	T/P
SCALE 比例	1:1	DRAWING NO 圖號	CS29-AR12		
SHEET SIZE 圖紙大小	A4H	PART NAME(CH) 零件名稱(中文)	調整組;傳動		
		PART NAME(EN) 零件名稱(英文)	ADJUSTMENT SET; TRANSMISSION SYSTEM		
		SAP PART NO SAP料號	1000400243	R REV	A
		喬山健康科技(台灣)有限公司 JOHNSON HEALTH TEC. (TAIWAN) CO.,LTD			○
		喬山健康科技(上海)有限公司 JOHNSON HEALTH TEC. (SHANGHAI) CO.,LTD			



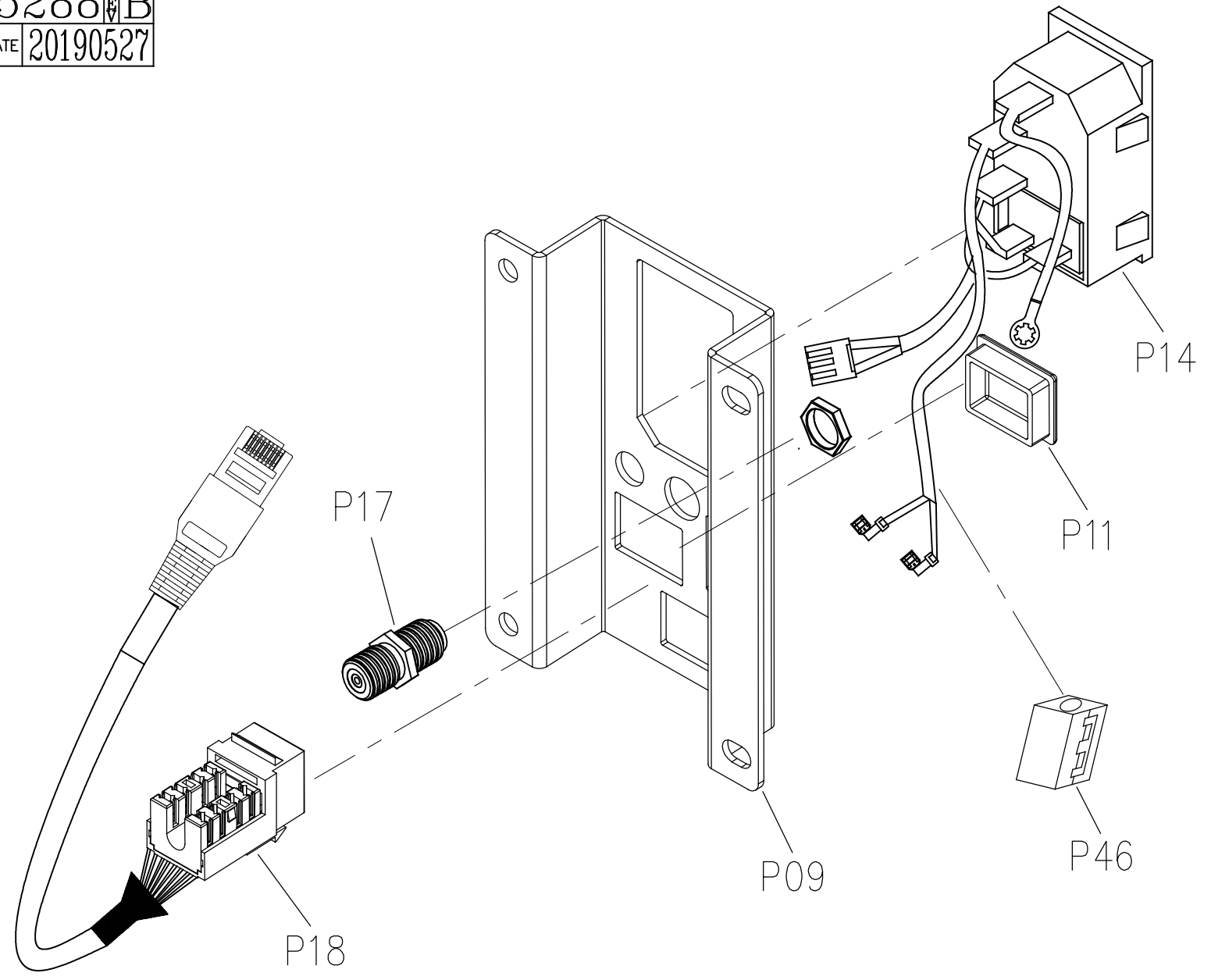
DRAWING NO	CS34-AG18		
PART NAME	Arm Rest set;left up		
PART NO	1000434949  B		
APPROVE	AMBER	DATE	20190527



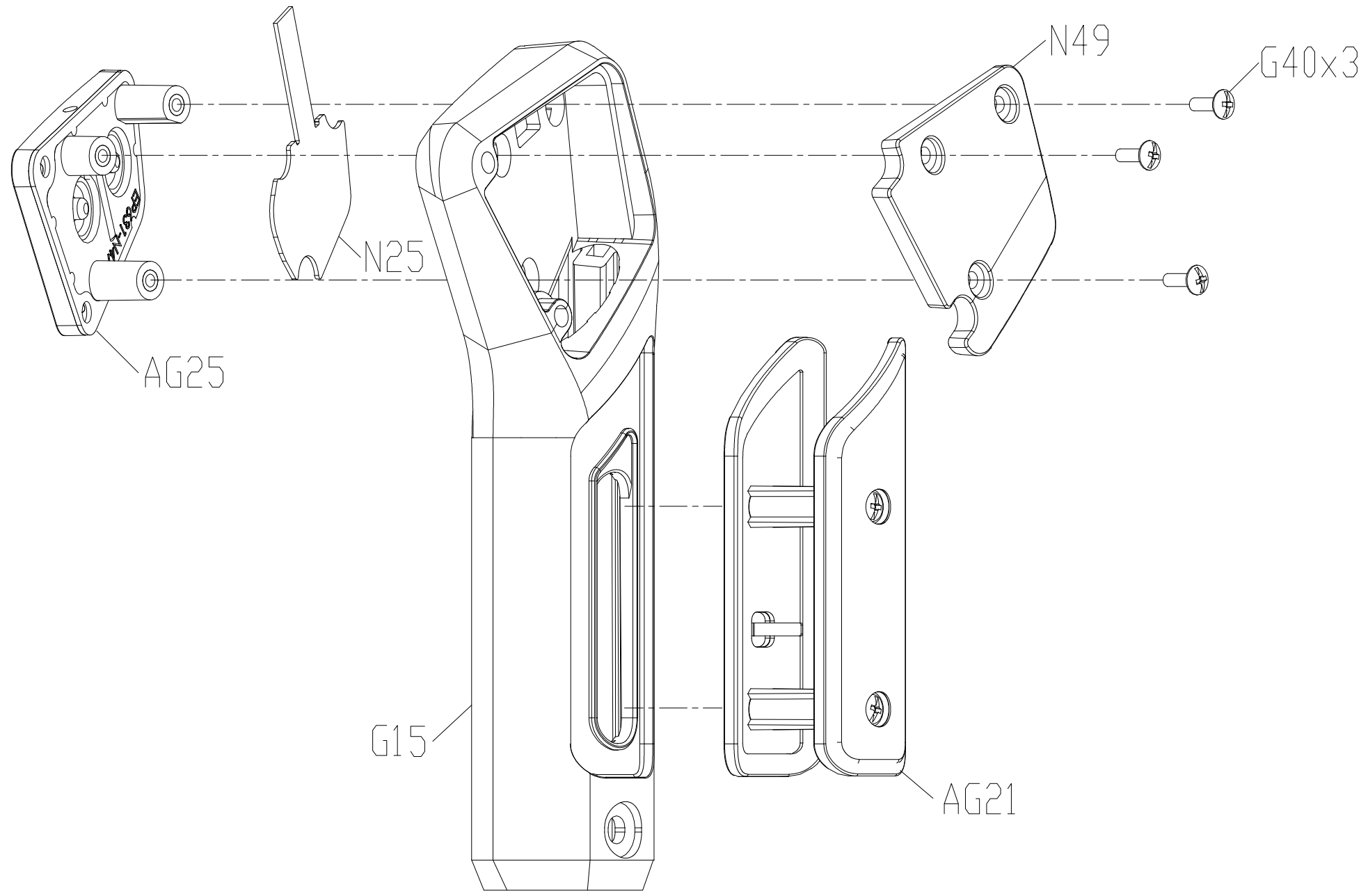
DRAWING NO	CS34-AG20		
PART NAME	Arm Rest set;right up		
PART NO	1000434953	REV	B
APPROVE	AMBER	DATE	20190527



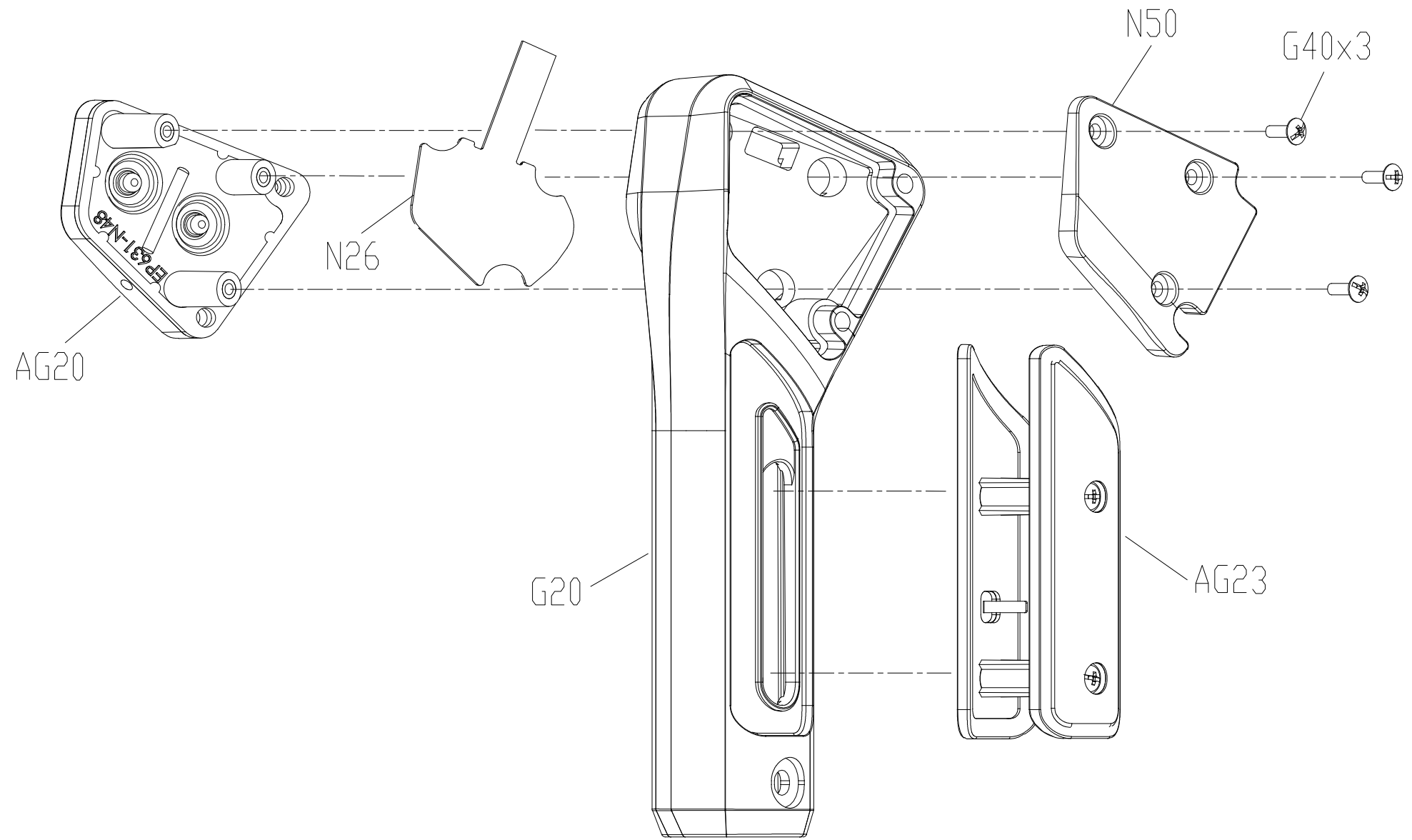
DRAWING NO	CS34-AP15		
PART NAME	E-port Fixing Plate Set		
PART NO	1000435288 B		
APPROVE	AMBER	DATE	20190527



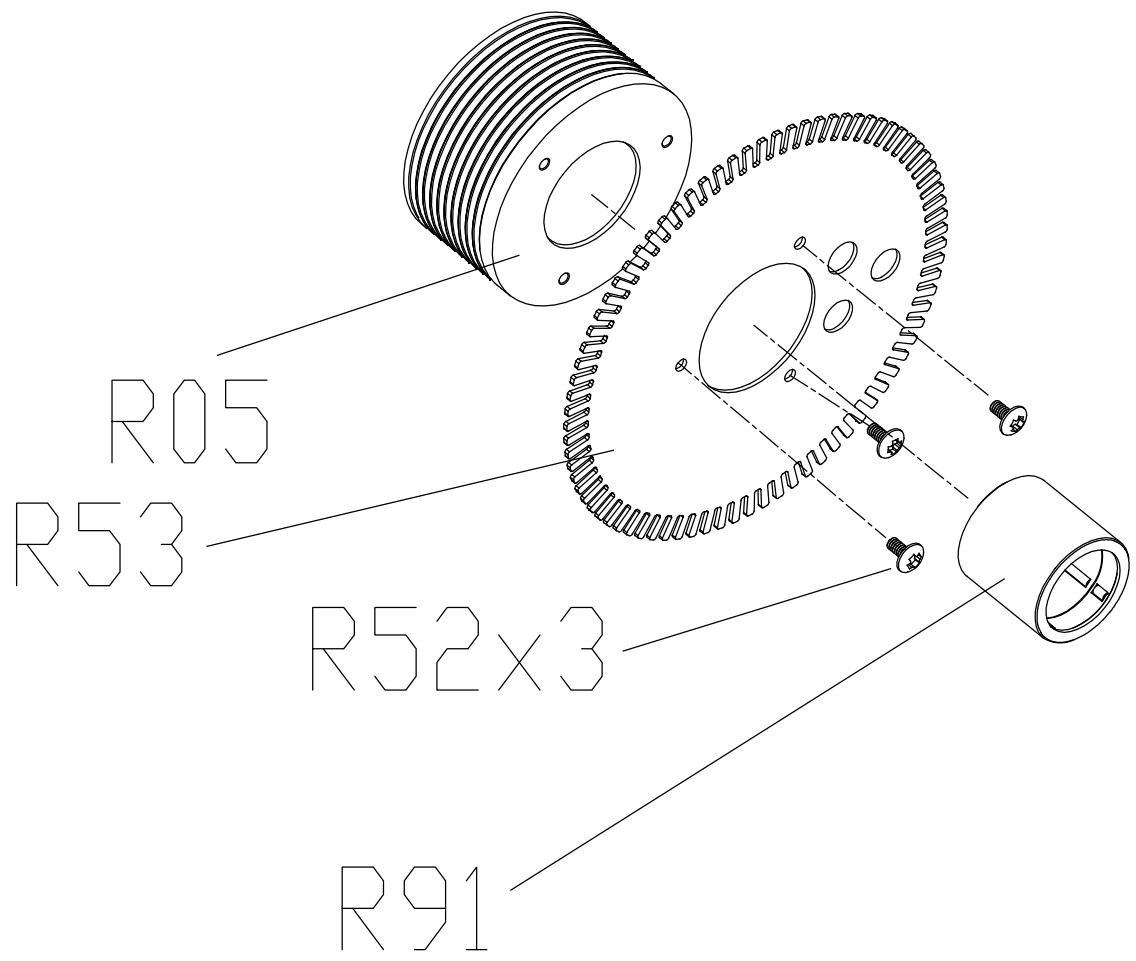
DRAWING NO	CS34-AG7		
PART NAME	Hand Pulse Set;Quickly Key;left		
PART NO	1000437106	REV	D
APPROVE	BROOK	DATE	20200302



DRAWING NO	CS34-AG8		
PART NAME	Hand Pulse Set;Quickly Key,right		
PART NO	1000443649	REV	C
APPROVE	BROOK	DATE	20200302



DRAWING NO	CS29-AR17		
PART NAME	Poly-V Pulley Set		
PART NO	1000445353 <small>REV</small> B		
APPROVE	Castiel	DATE	20190920



DRAWING NO	CS34-AC11		
PART NAME	Console mast set		
PART NO	At attached chart ^{REV} E		
APPROVE	AMELIE	DATE	20200212

SAP NO.	Description
1000434945	SLIVER
1000442365	DOUBLE BLACK MATTE
1000447739	DOUBLE Graphite Grey 202020

