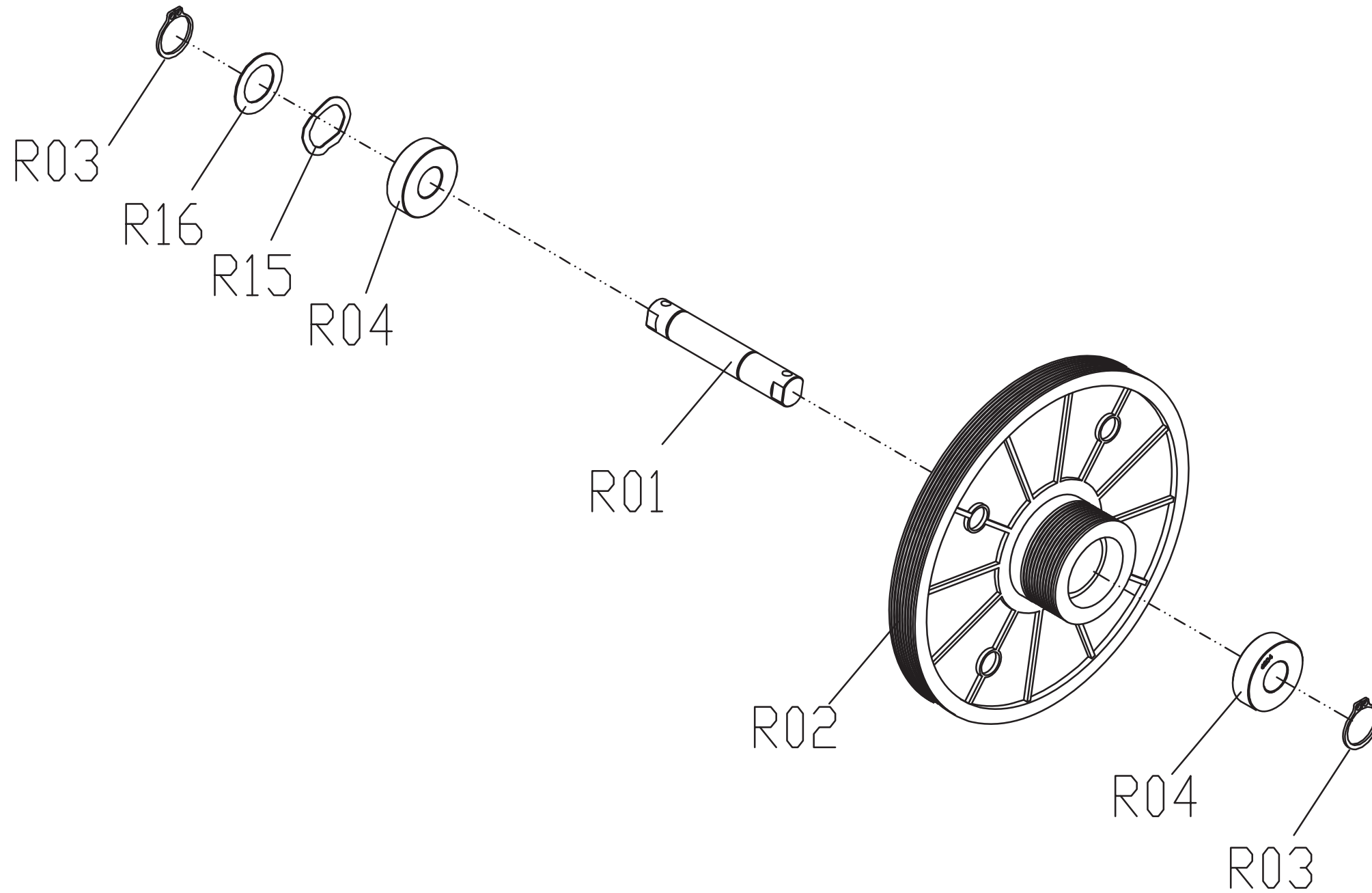
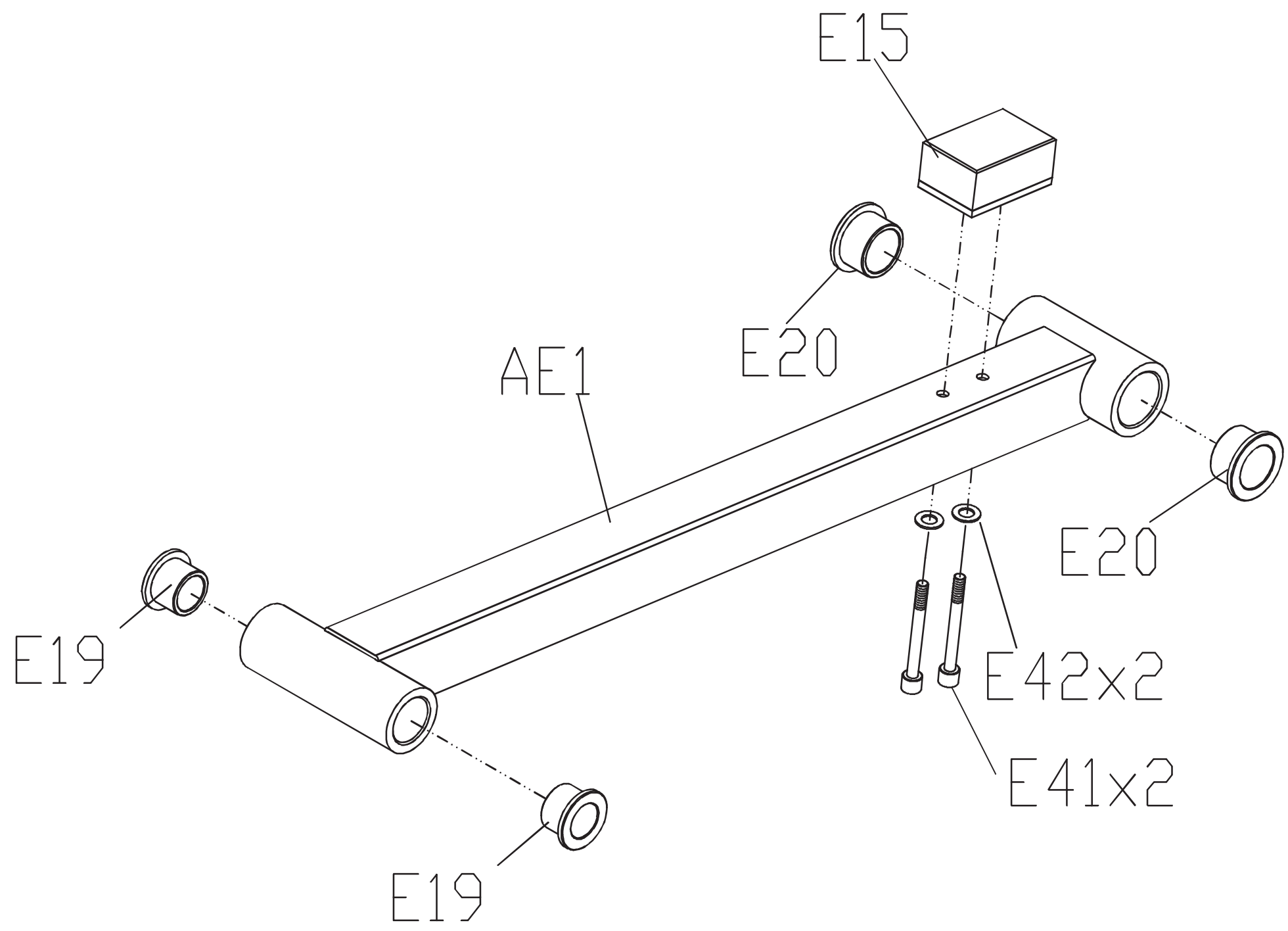




DRAWING NO	CS08-AR1		
PART NAME	Transmission Set		
PART NO	058735-A <sup>R</sup> <sub>E</sub> A		
APPROVE	Rain	DATE	2011.01.18

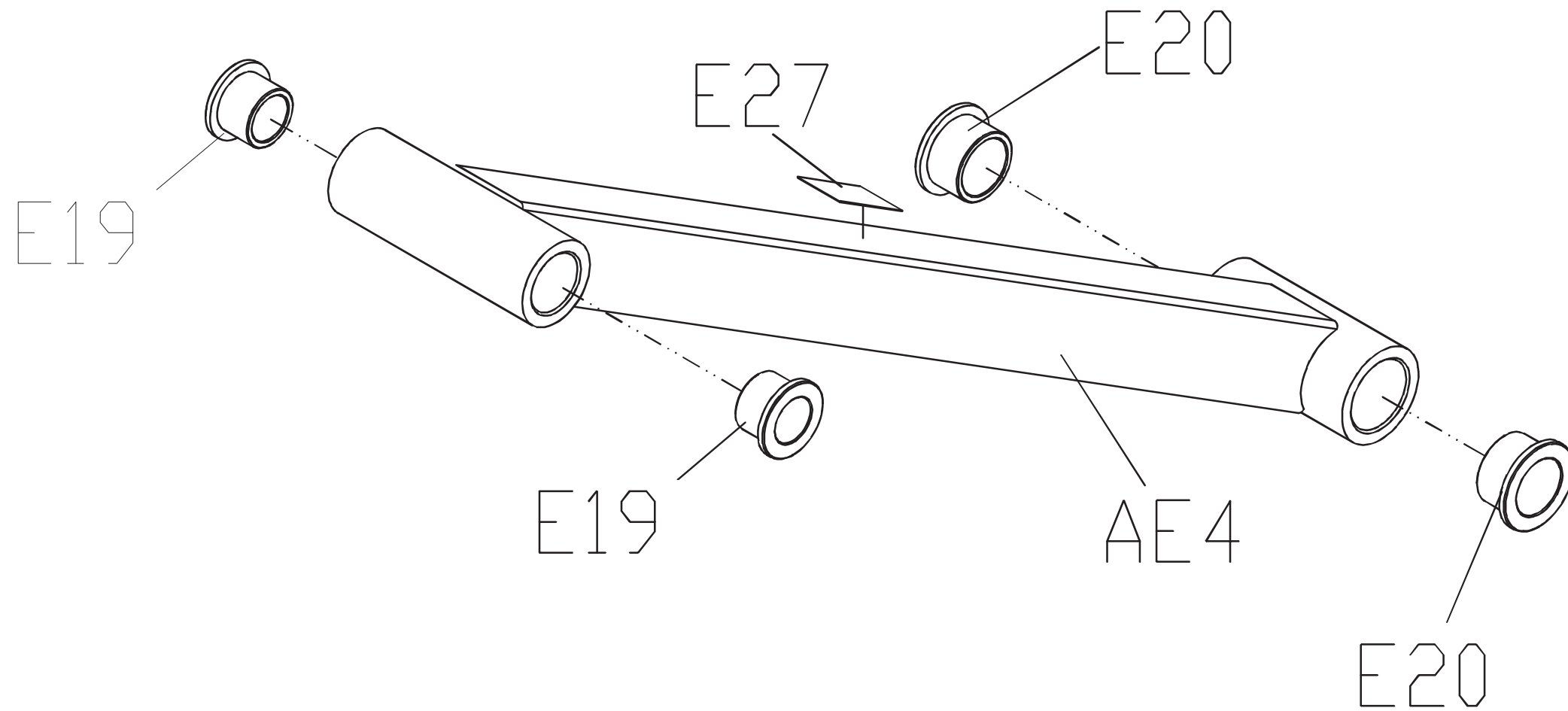


DRAWING NO	CS11-AE6		
PART NAME	PEDAL ARM SET		
PART NO	See attached <sup>REV</sup> E		
APPROVE	JARVIS	DATE	140416



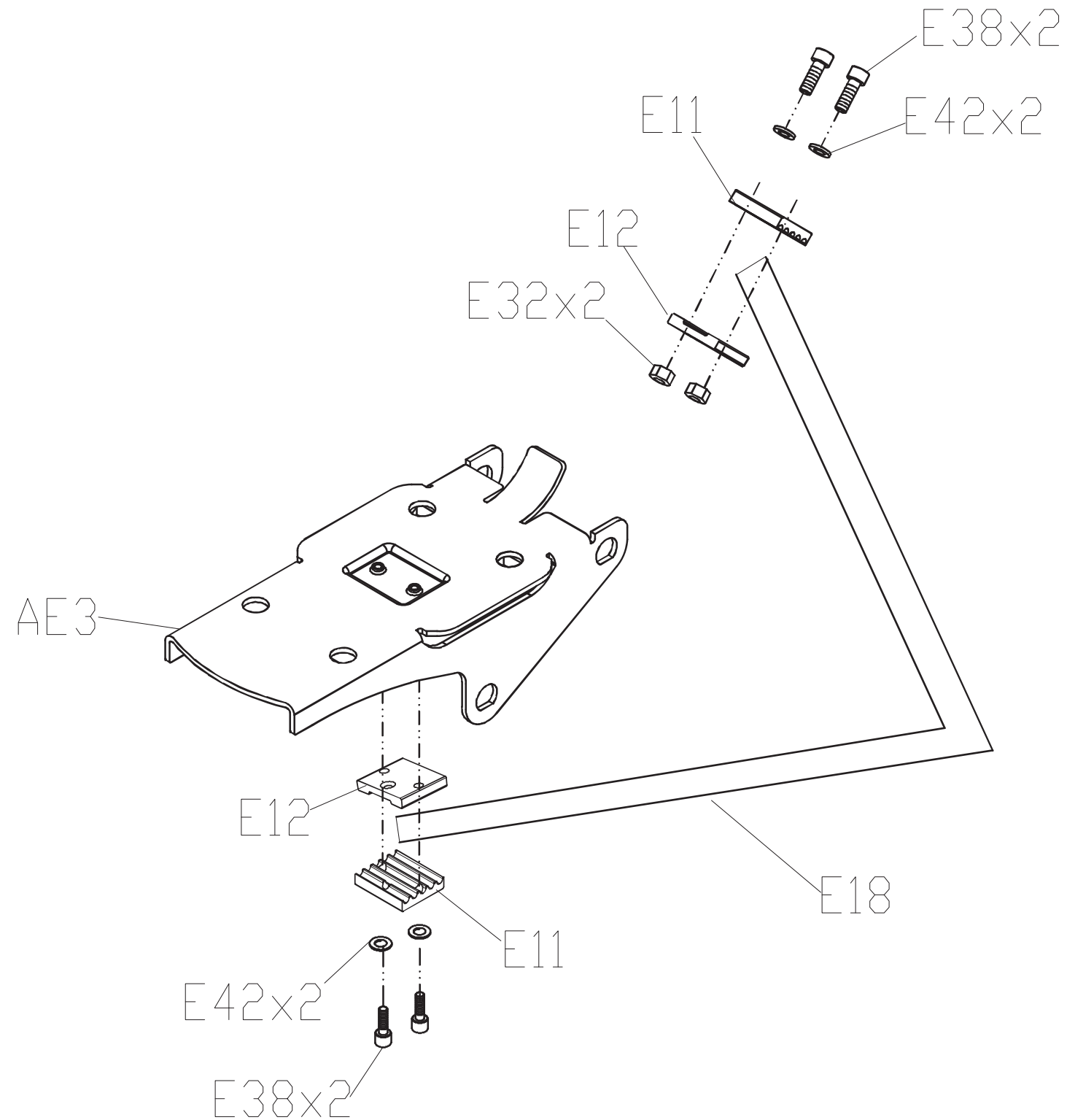
SAP NO.	Description
000090902	SLIVER
1000337781	Matte black
1000346588	SUN ORANGE

DRAWING NO	CS11-AE7		
PART NAME	PEDAL ARM SET		
PART NO	See attached REF		
APPROVE	JARVIS	DATE	140416



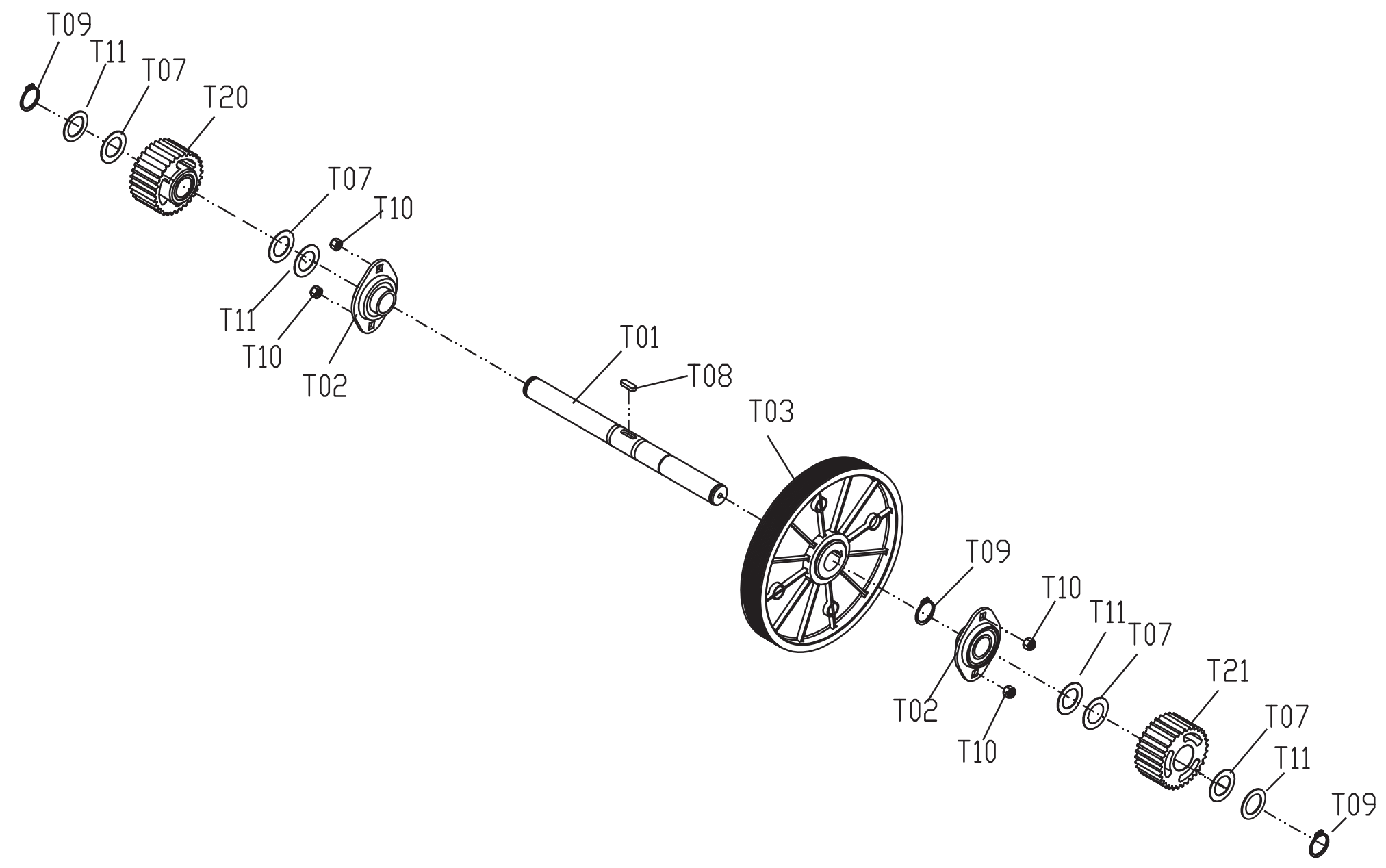
SAP NO.	Description
0000090904	SLIVER
1000341328	Matte black
1000346590	SUN ORANGE

DRAWING NO	CS11-AE8		
PART NAME	PEDAL SET		
PART NO	See attached <sup>R</sup> / <sub>D</sub>		
APPROVE	JARVIS	DATE	140416

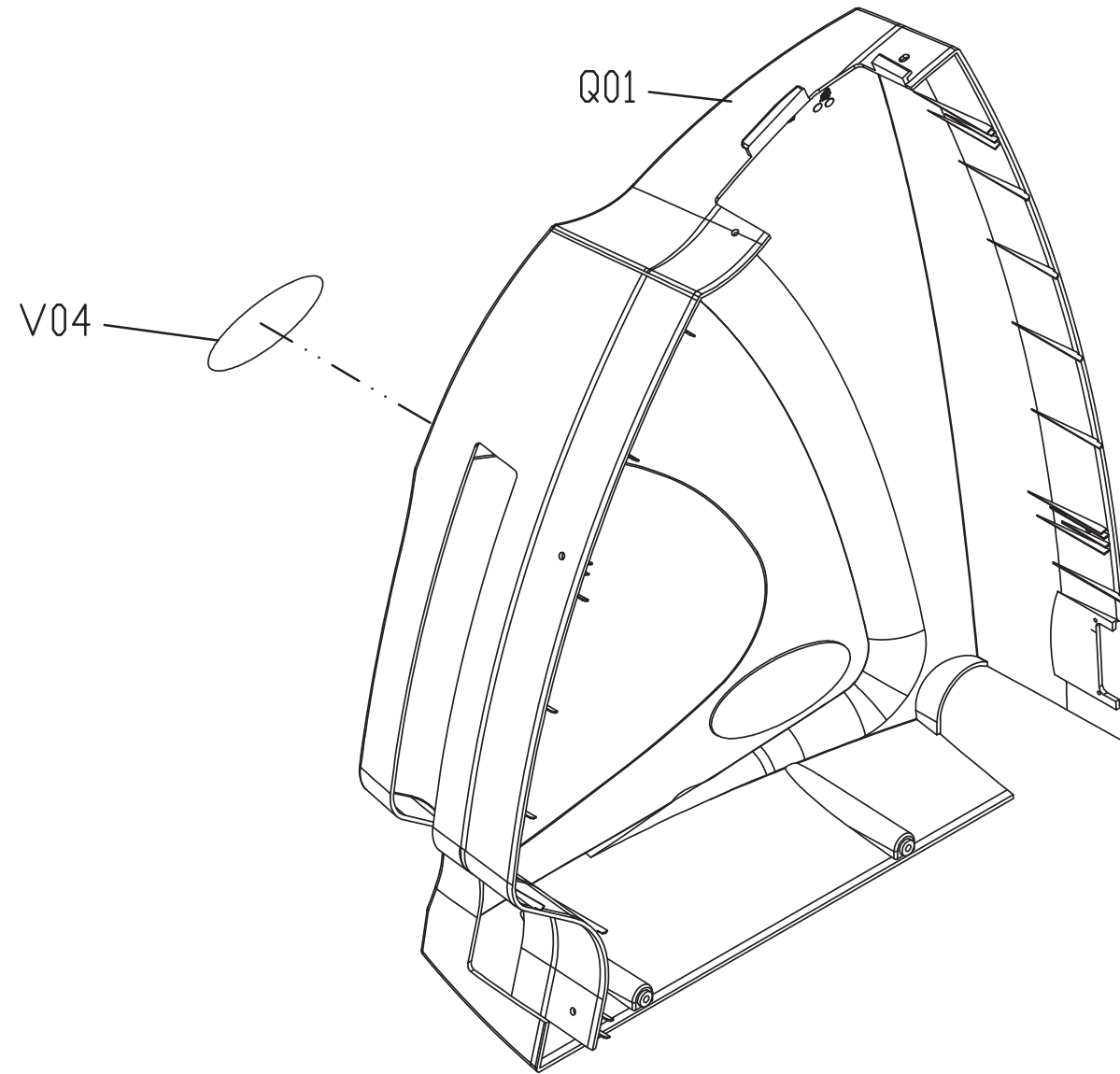


SAP NO.	Description
0000090906	SLIVER
1000341330	Matte black
1000346592	SUN ORANGE

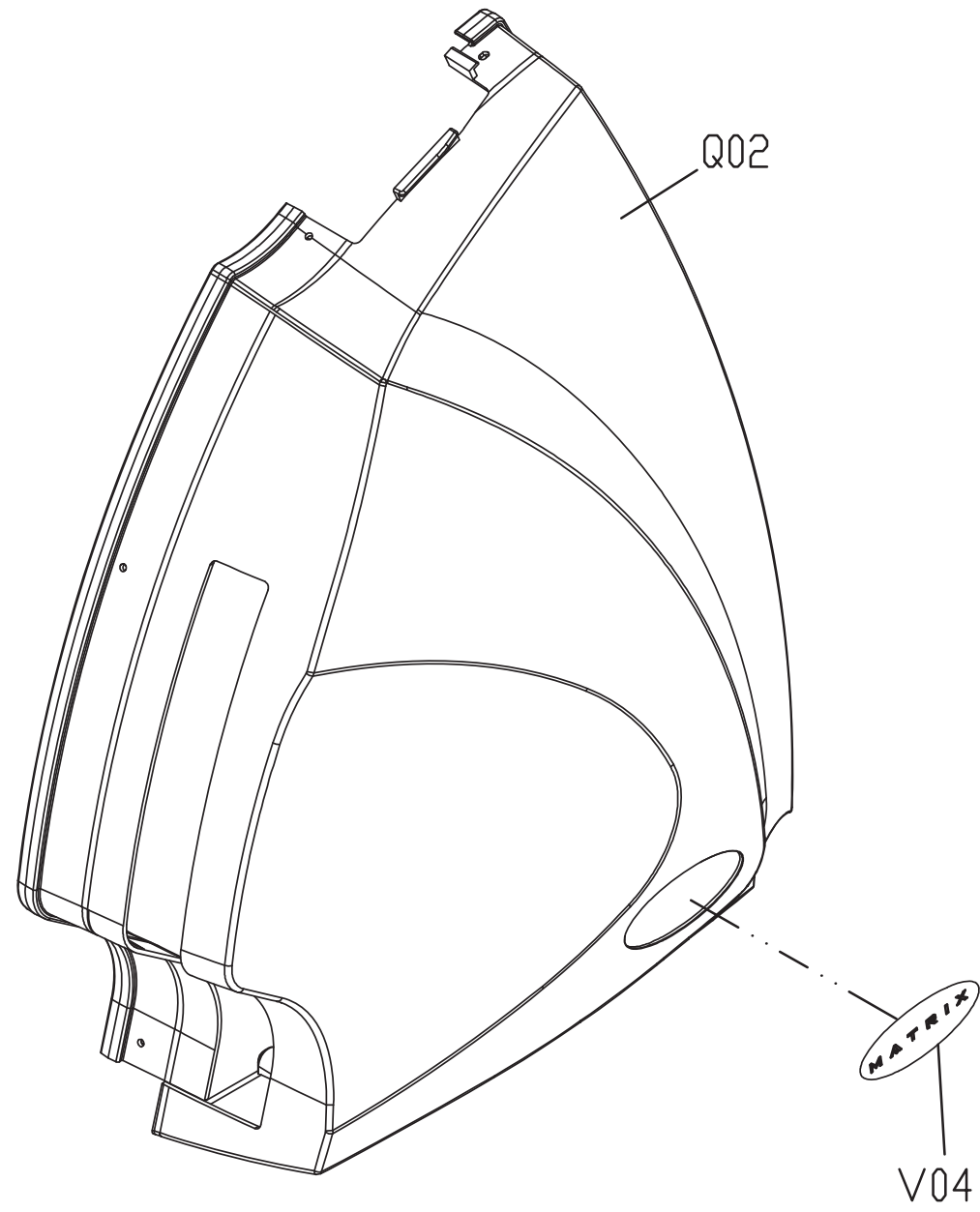
DRAWING NO	CS11-AT1		
PART NAME	Pedal Transmission Set		
PART NO	0000090915 R/D		
APPROVE	tsaijw	DATE	20170125



DRAWING NO	CS11B-AQ11		
PART NAME	LEFT COVER SET		
PART NO	1000216360	REV	A
APPROVE	KEN	DATE	050511

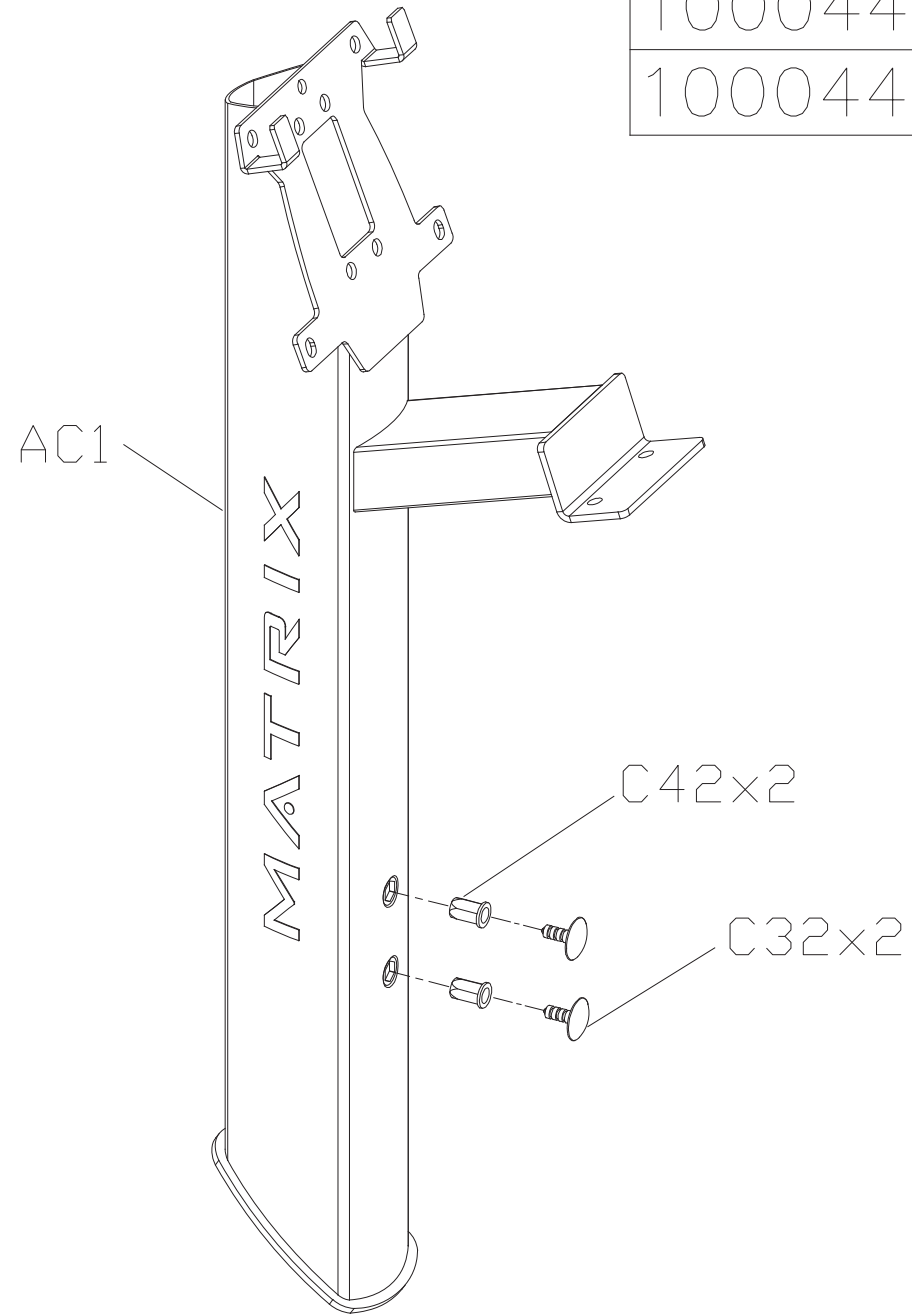


DRAWING NO	CS11B-AQ12		
PART NAME	RIGHT COVER SET		
PART NO	1000216363 <sup>R</sup> <sub>V</sub> A		
APPROVE	KEN	DATE	050511

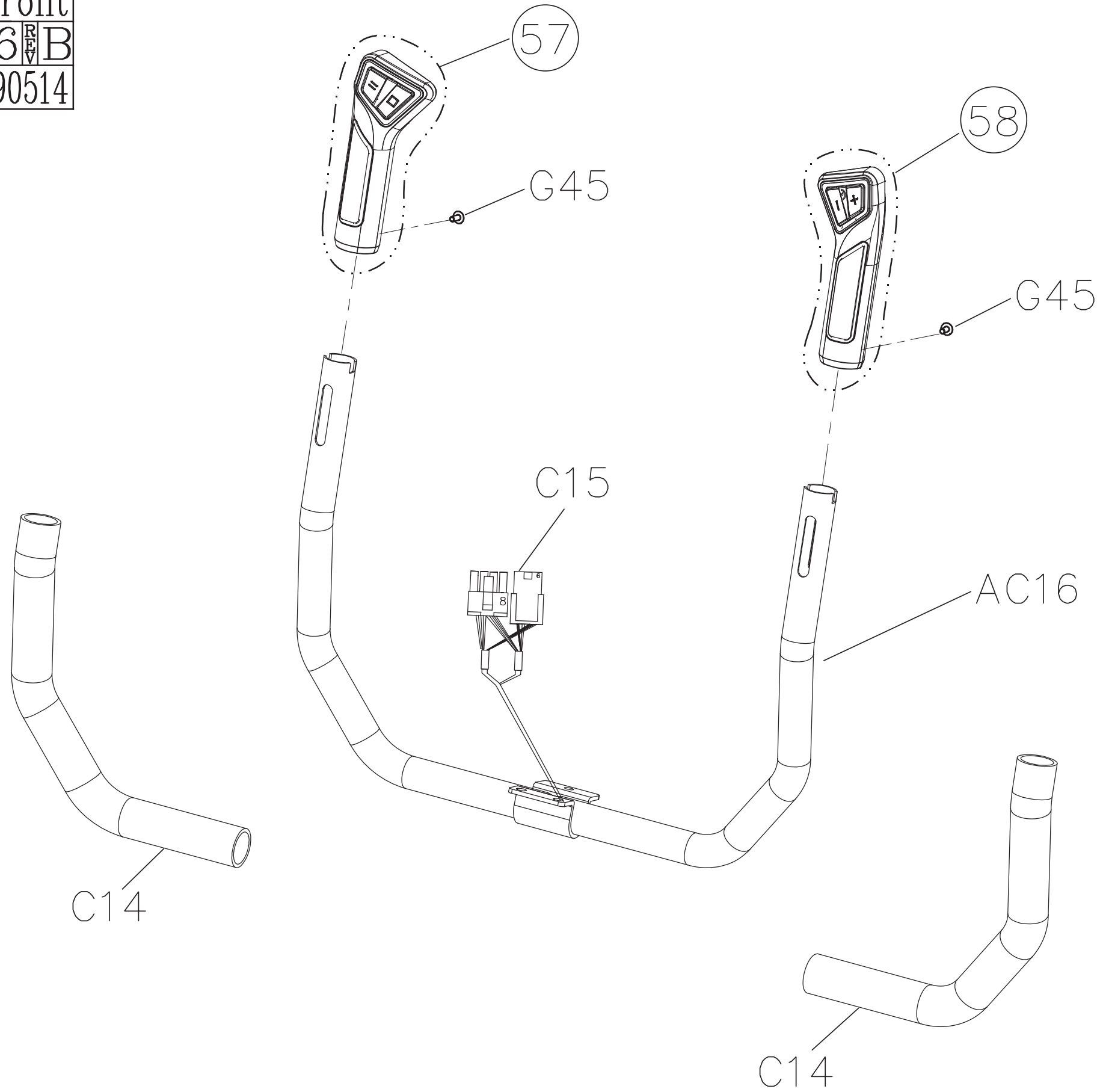


DRAWING NO	CS33-AC11		
PART NAME	Console Mast Set		
PART NO	As Attached Chart <sup>R</sup> / <sub>E</sub> / <sub>D</sub>		
APPROVE	AMBER	DATE	20191223

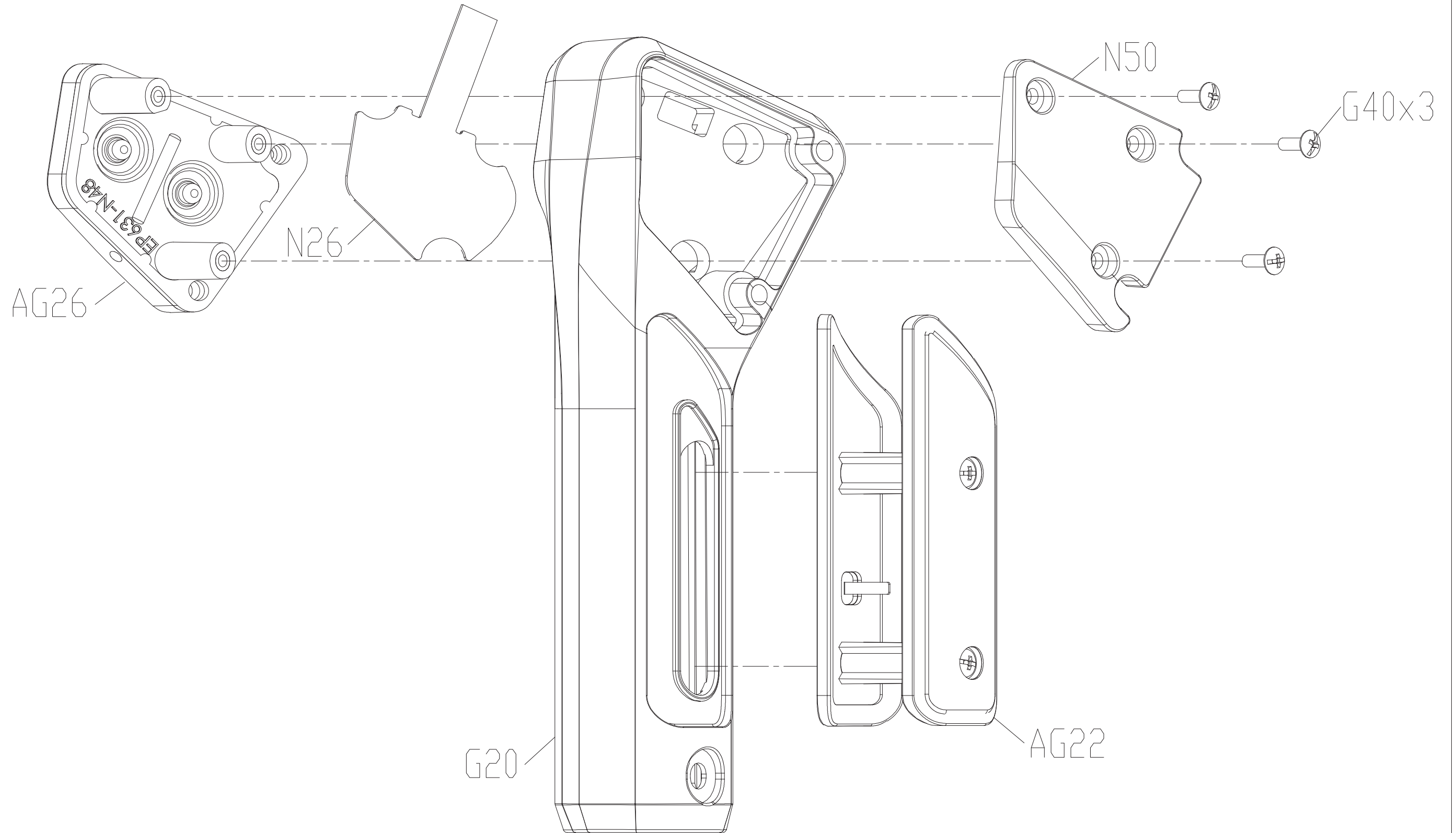
SAP NO.	Description
1000435002	Sliver
1000435012	Black Matte
1000442352	Double Black Matte
1000447668	Graphite Grey 202020
1000447714	Double Graphite Grey 202020



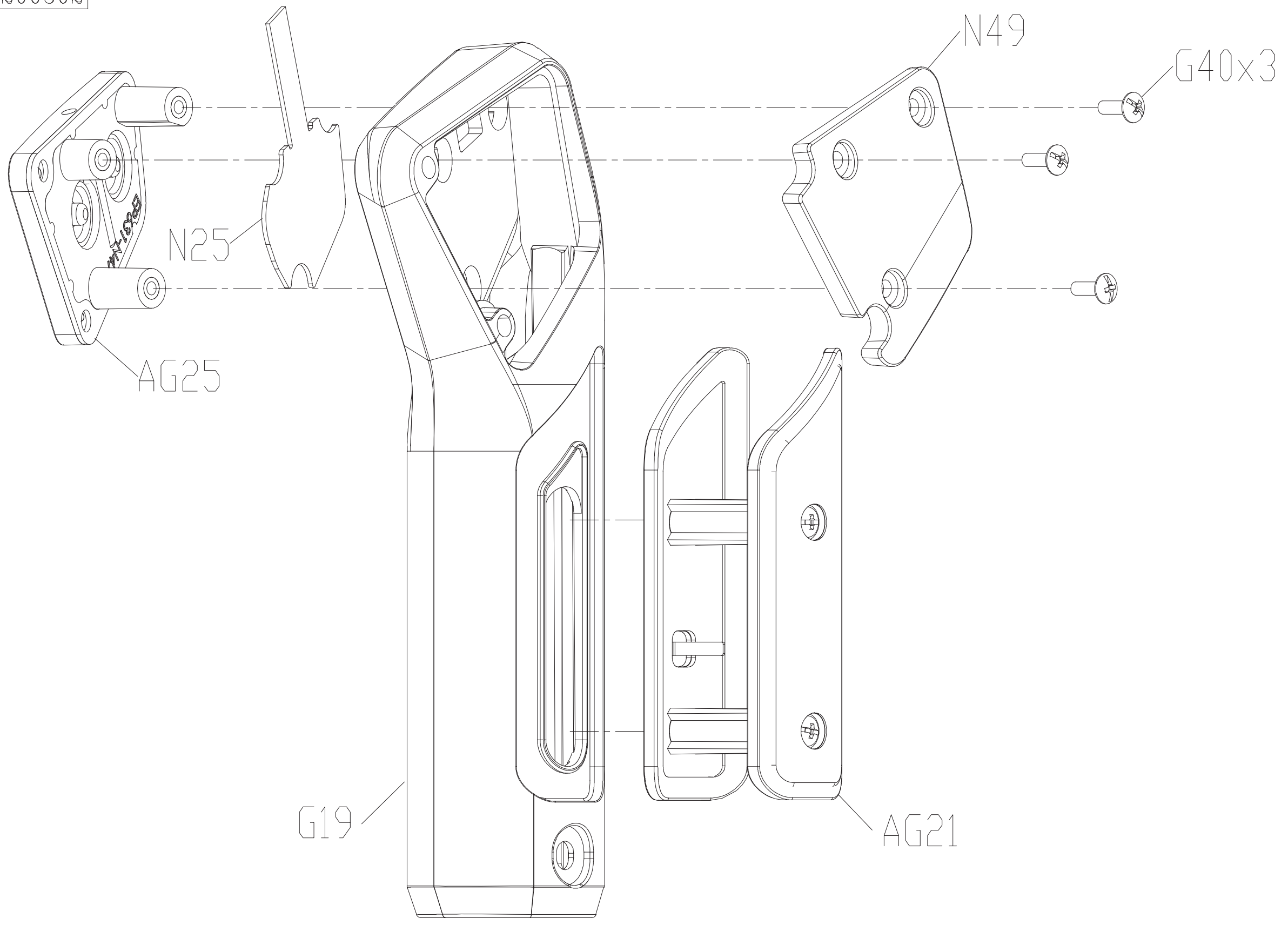
DRAWING NO	CS33-AC13		
PART NAME	Handlebar Set;front		
PART NO	1000435006	REV	B
APPROVE	Amber	DATE	20190514



DRAWING NO	CS33-AG8		
PART NAME	Hand Pulse Set;Quickly Key,right		
PART NO	1000437065	REV	D
APPROVE	BROOK	DATE	20200302



DRAWING NO	CS33-AG7		
PART NAME	Hand Pulse Set;Quickly Key;left		
PART NO	1000437064		
APPROVE	BROOK	DATE	20200302



DRAWING NO	CS33-AP15		
PART NAME	E-port Fixing Plate Set		
PART NO	1000435309	REV	C
APPROVE	AMELIE	DATE	20190617

