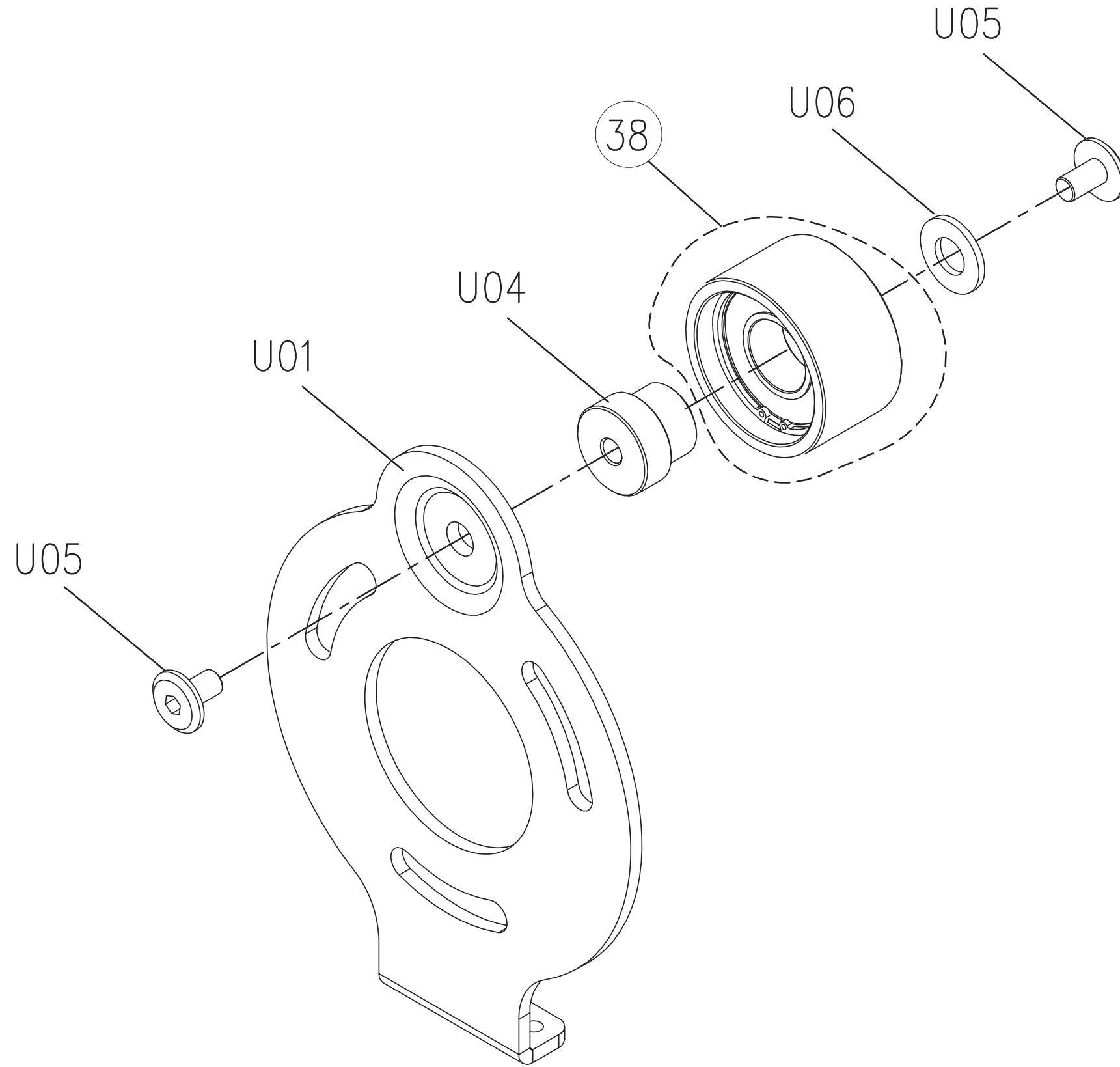
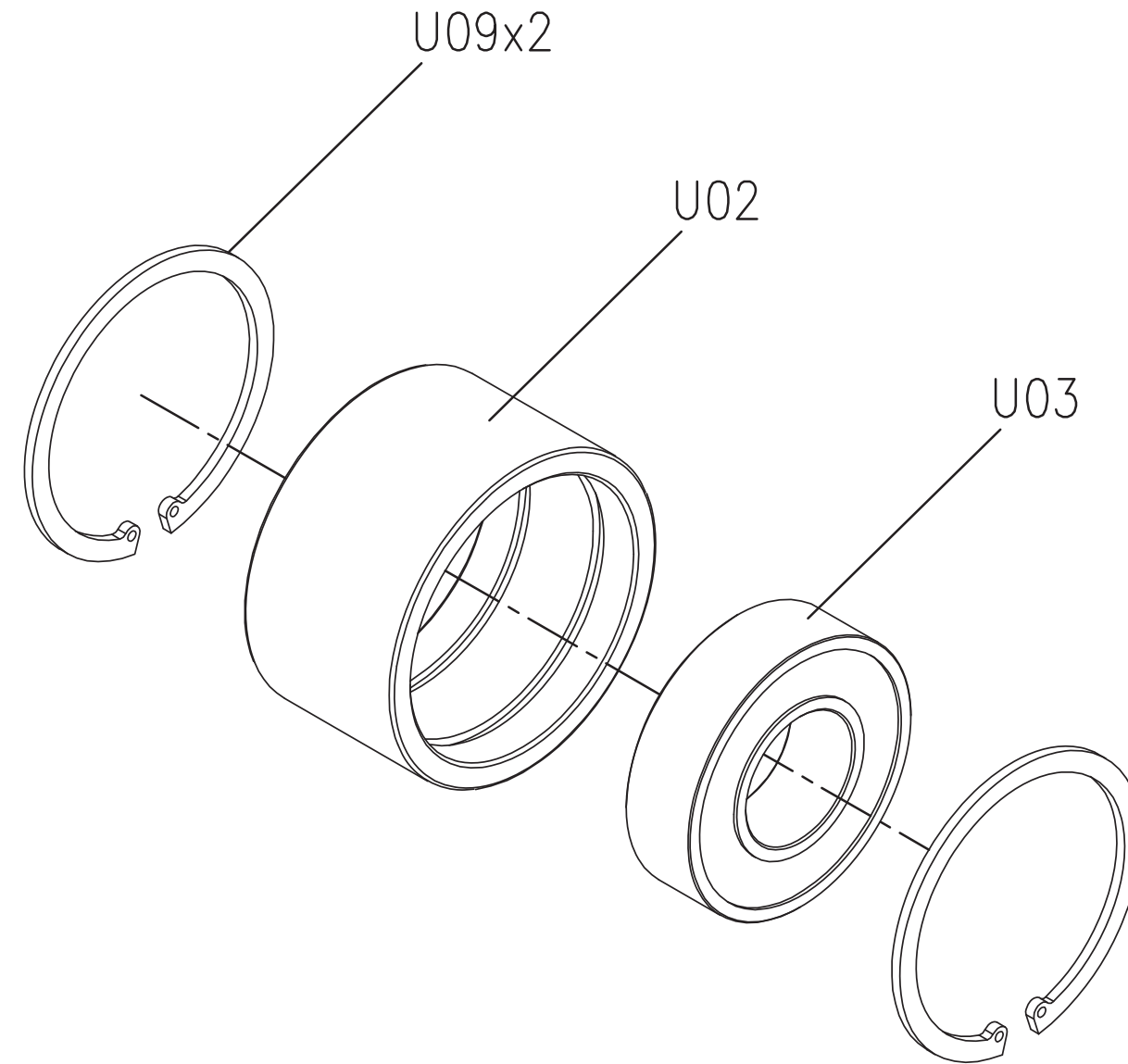


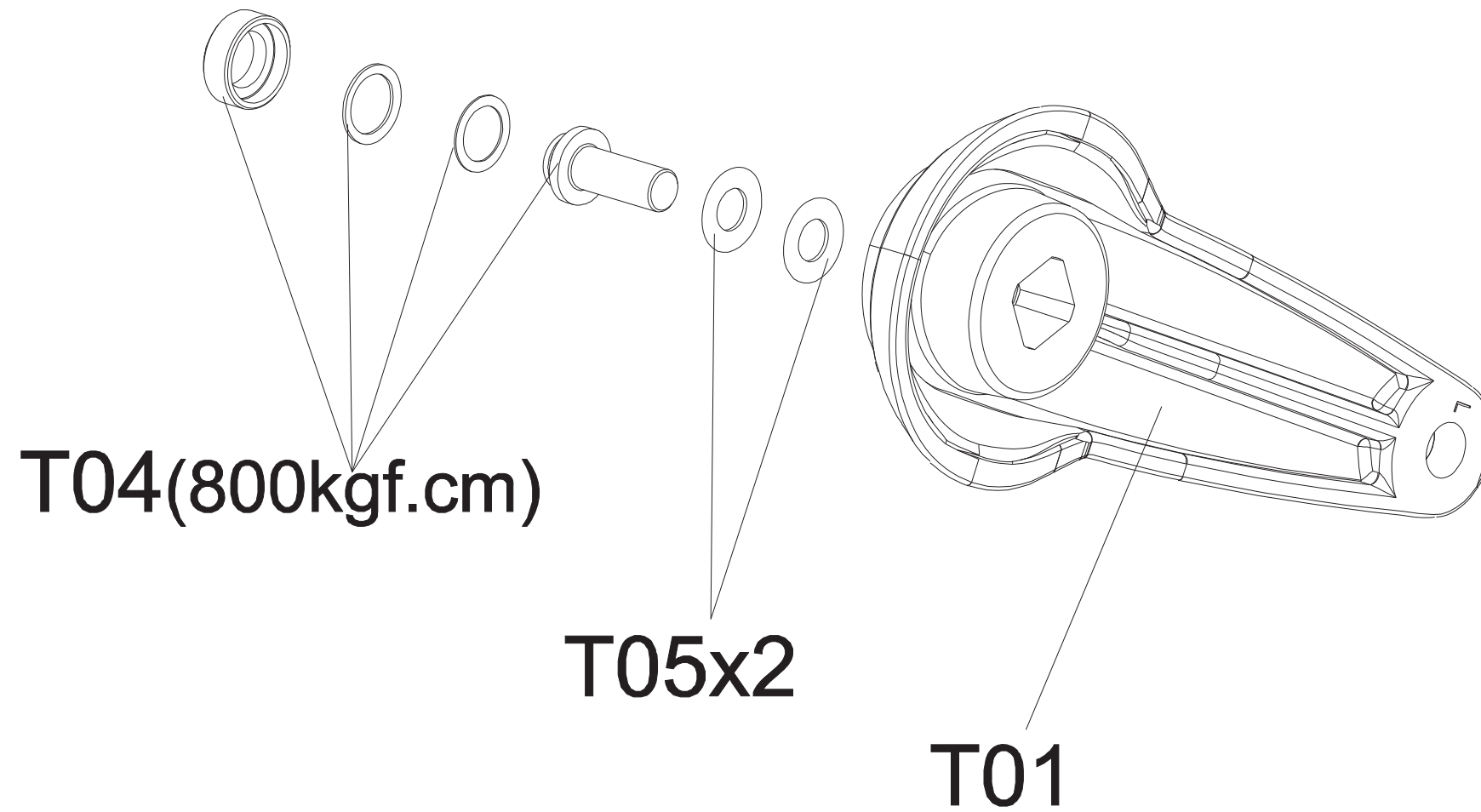
DRAWING NO	CB92-AU3		
PART NAME	Idler Fix Plate Set		
PART NO	1000230354 ^R _B		
APPROVE	KEN	DATE	20121217



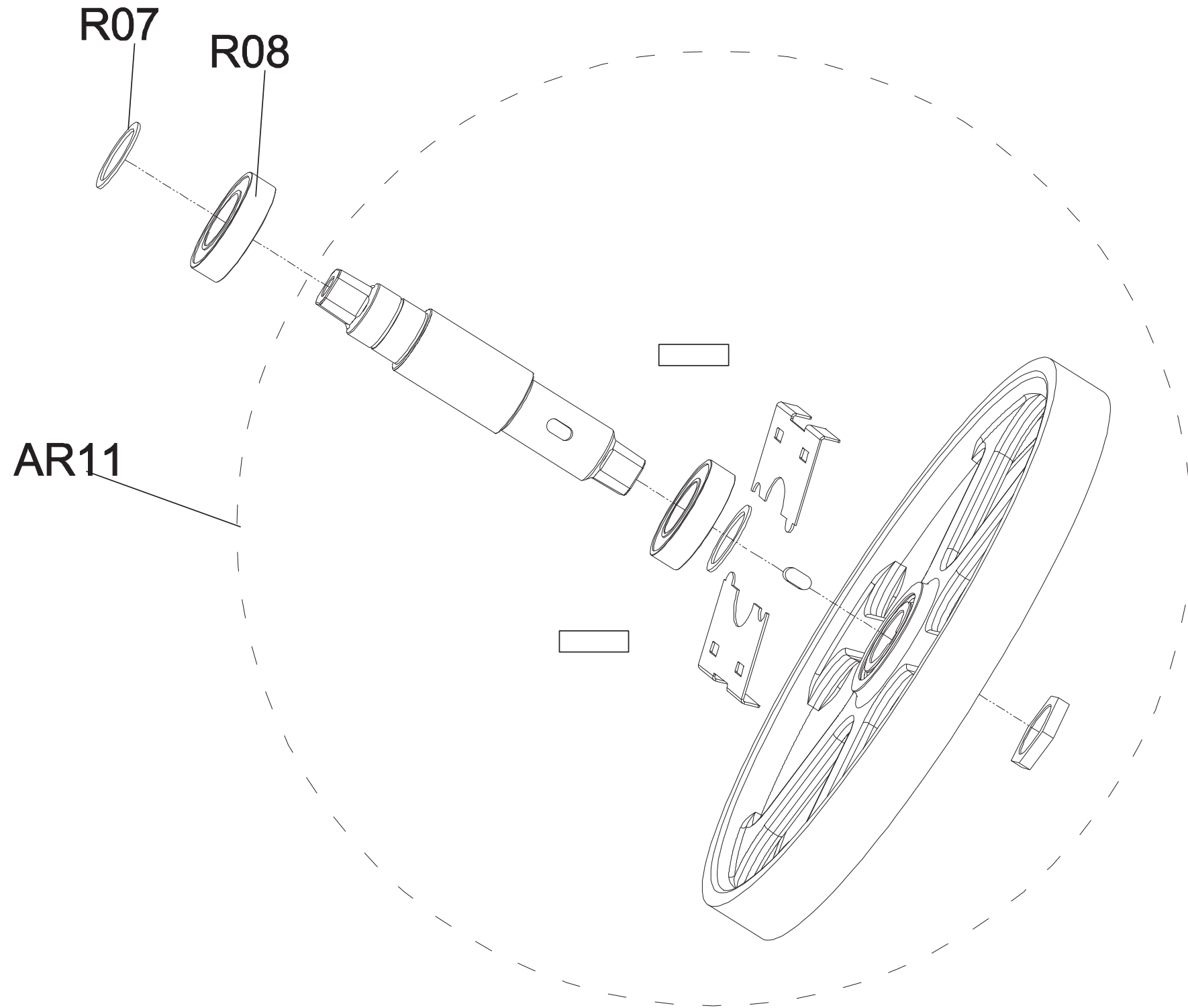
DRAWING NO	CB92-AU4		
PART NAME	Idler Set		
PART NO	1000307358	REV	B
APPROVE	KEN	DATE	20130116



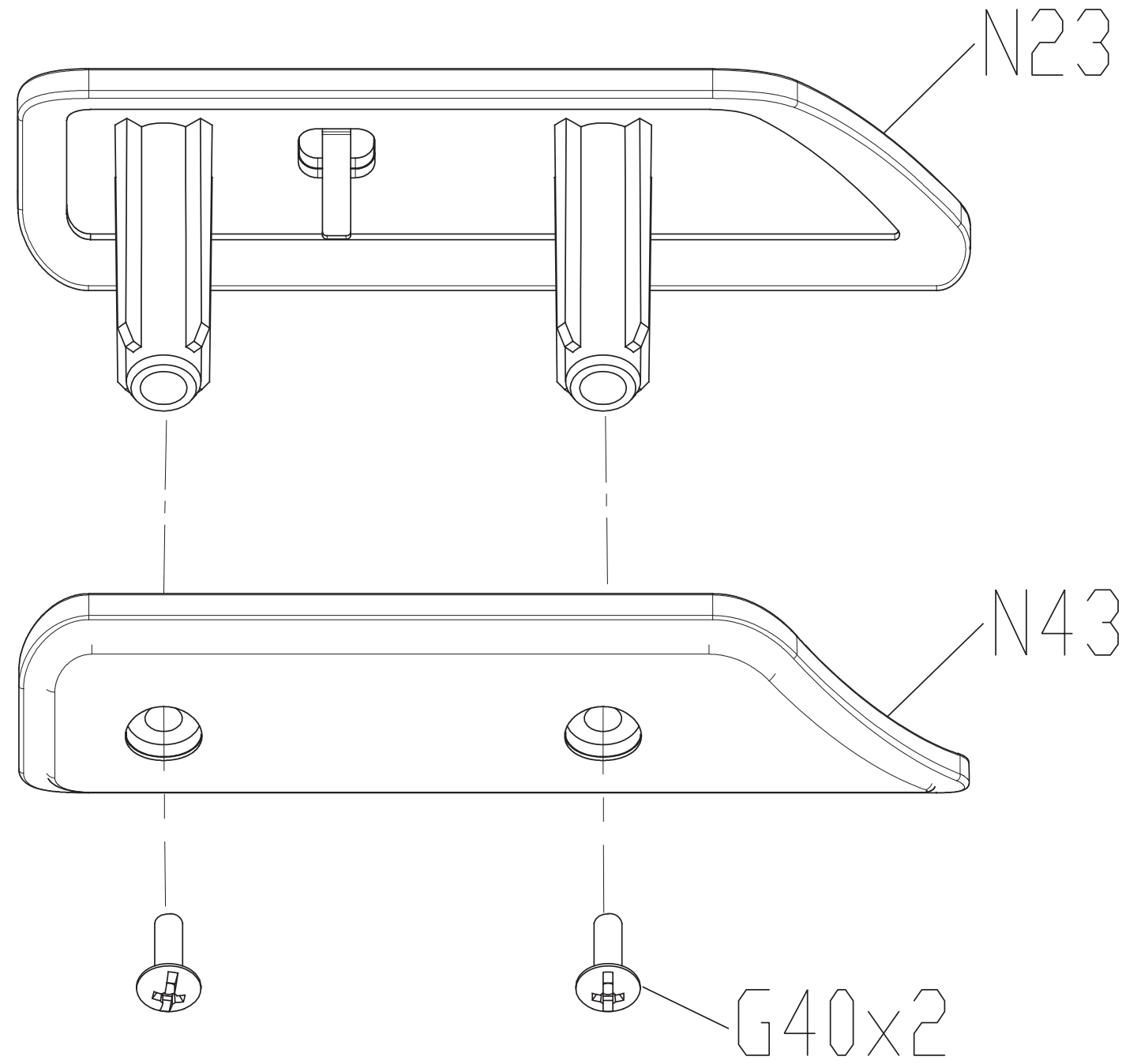
DRAWING NO	RB162-AT11		PART NO.	Describes
PART NAME	Left Crank Set		1000345278	Left Crank set;Grey;RB162
PART NO		REV	1000393624	Left Crank set;Red;RB162D
APPROVE	Xiaokaicong	DATE	20161018	



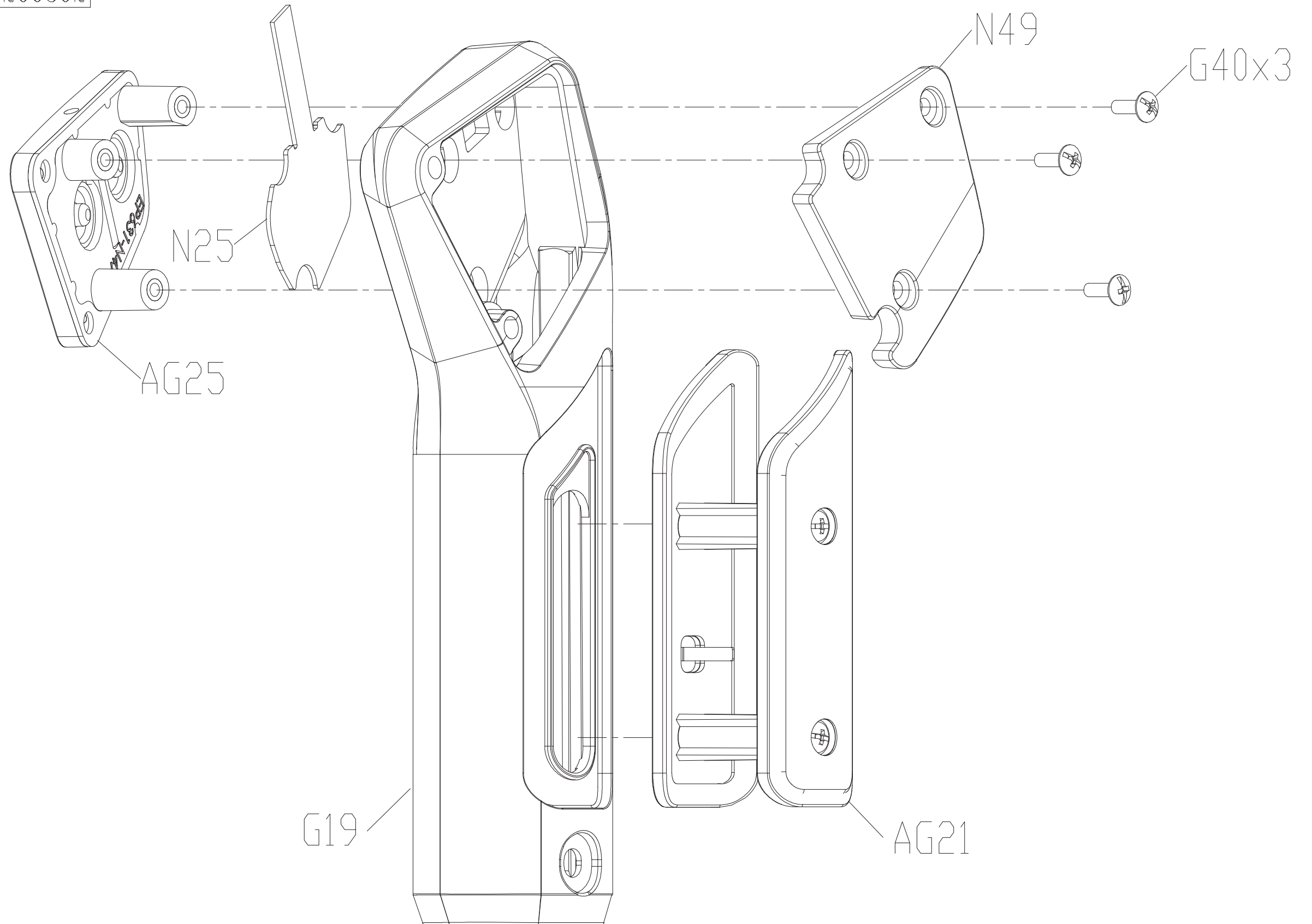
DRAWING NO	RB162-AR11		
PART NAME	Transmission Set		
PART NO	1000381731	REV	A
APPROVE	Xiaokaicong	DATE	2016.08.27



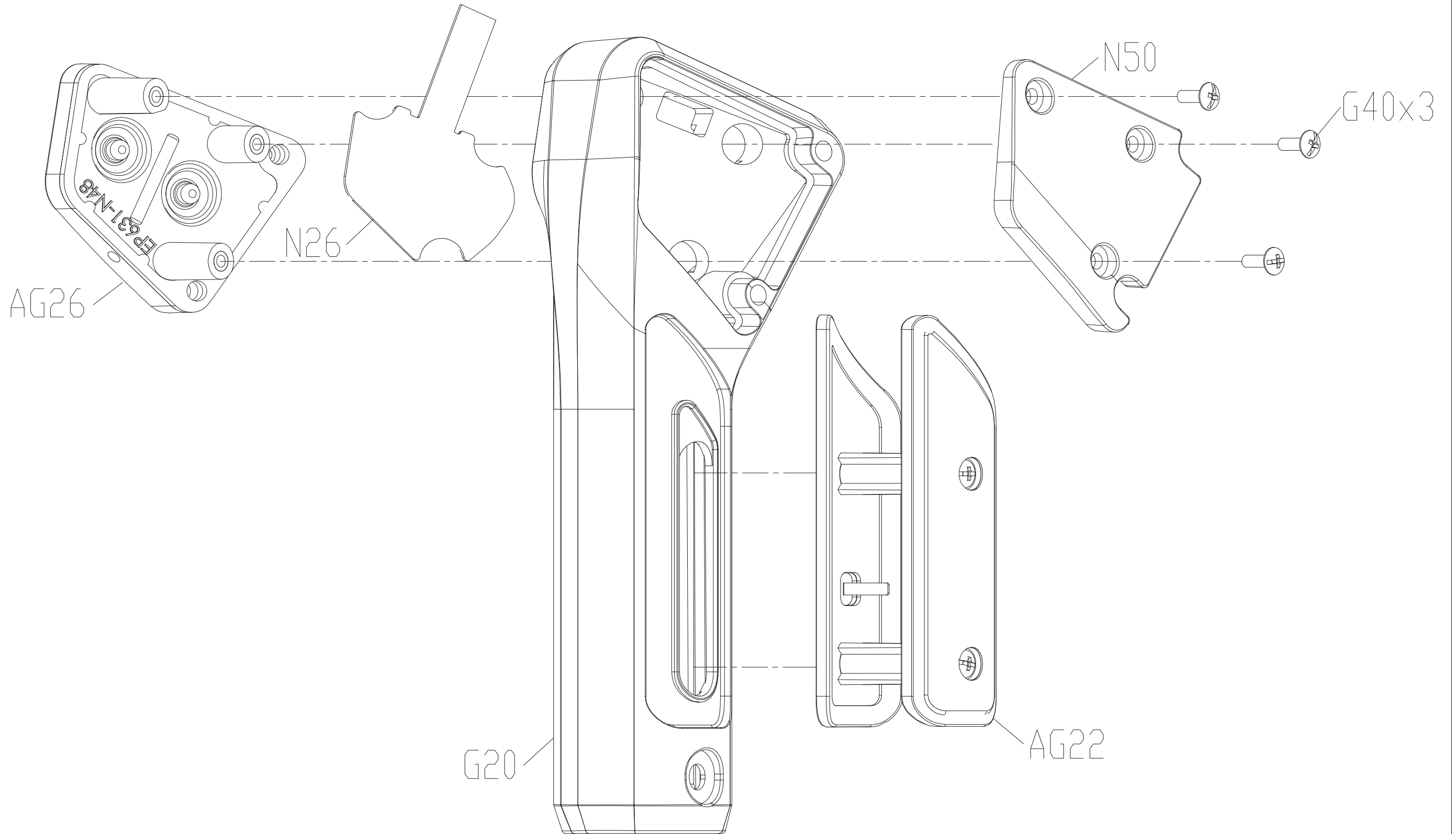
DRAWING NO	CS33-AG21		
PART NAME	Pulse Sensor Set;Grip;left		
PART NO	1000433339 ^R _V B		
APPROVE	BROOK	DATE	20190514



DRAWING NO	CS33-AG7		
PART NAME	Hand Pulse Set;Quickly Key;left		
PART NO	1000437064		
APPROVE	BROOK	DATE	20200302

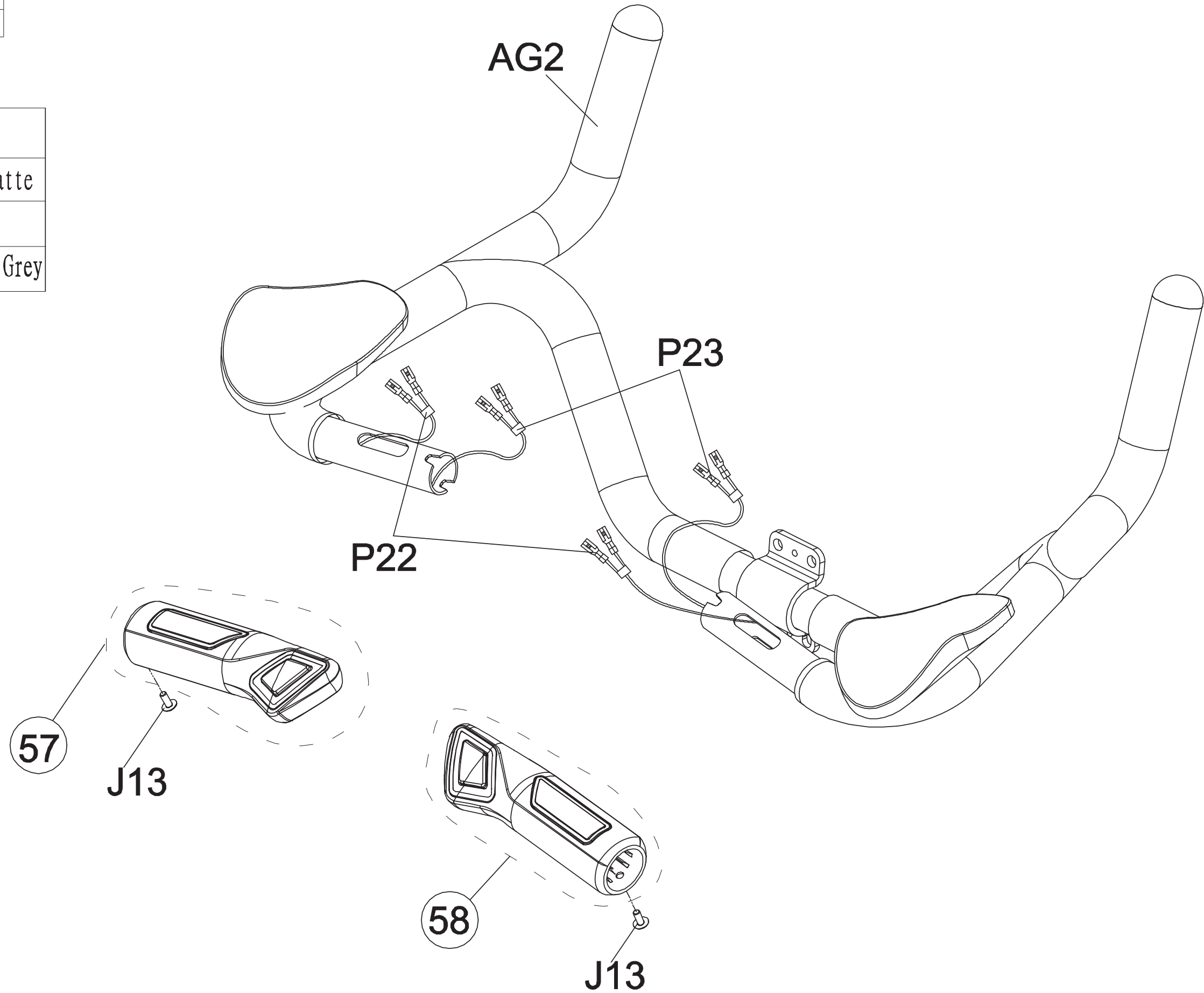


DRAWING NO	CS33-AG8		
PART NAME	Hand Pulse Set;Quickly Key,right		
PART NO	1000437065	REV	D
APPROVE	BROOK	DATE	20200302

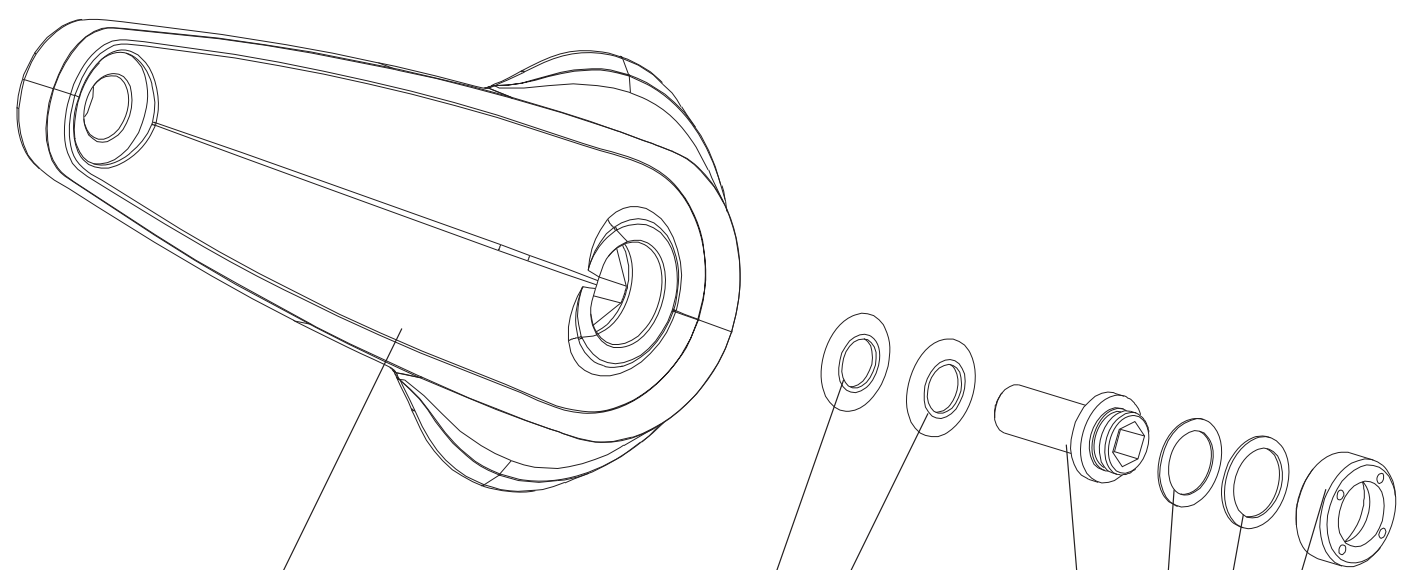


DRAWING NO	CB206-AG12		
PART NAME	Handlebar Set;Assembly		
PART NO	See Chart	REV	B
APPROVE	ABBY	DATE	12.11.2019

Part NO.	Color
1000446759	Black Matte
1000446771	SL/GY
1000448157	Graphite Grey



DRAWING NO	RB162-AT12	PART NO.	Describes
PART NAME	Right Crank Set	1000345280	Right Crank set;Grey;RB162
PART NO		1000393627	Right Crank set;Red;RB162D
APPROVE	Kaicong Xiao	DATE	20161018



T02

T05x2

T04(800kgf.cm)