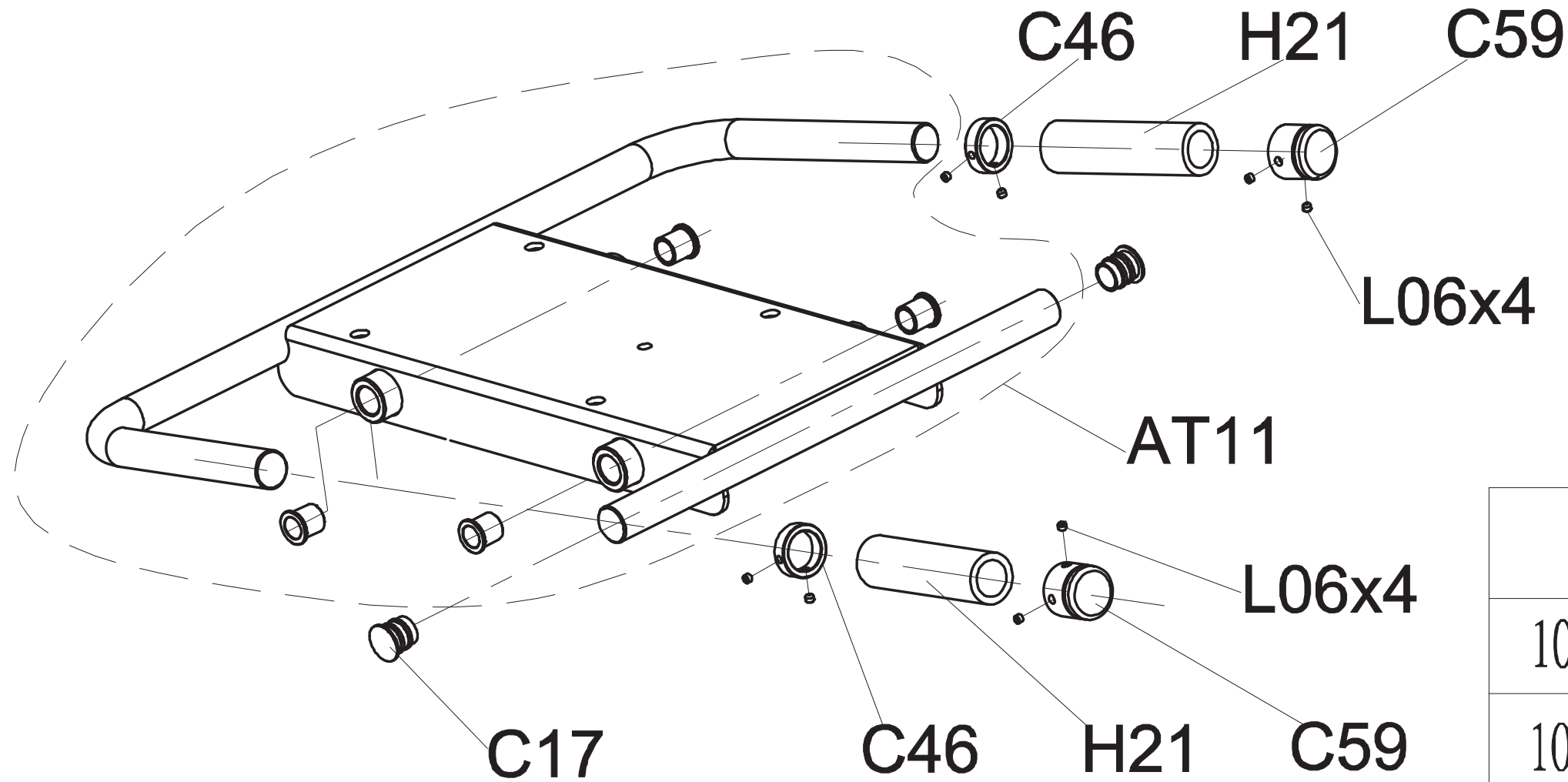
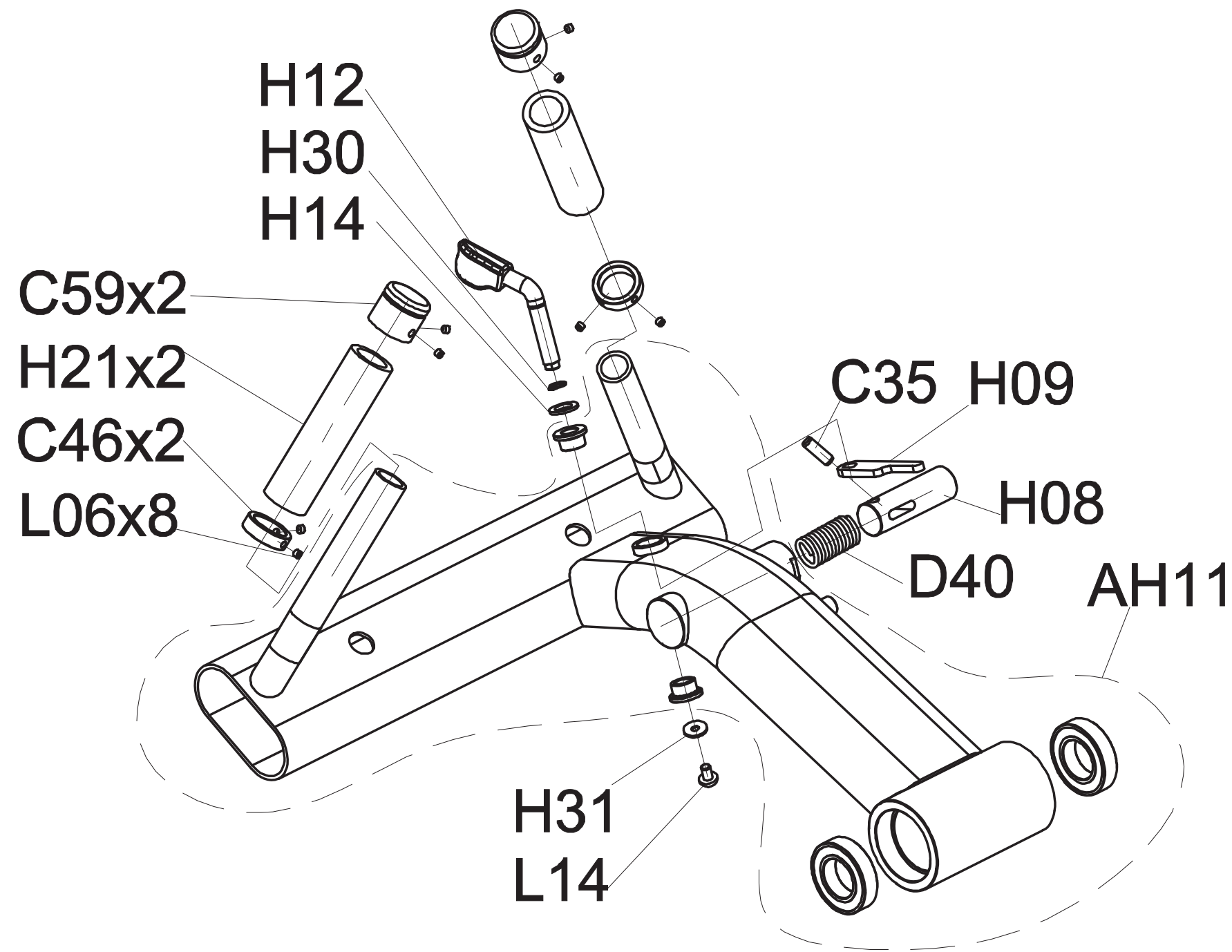


DRAWING NO	GM107-SF01		
PART NAME	Handle Set;Paint;		
PART NO	See Chart	REV	A
APPROVE	KNIGHT	DATE	01122018



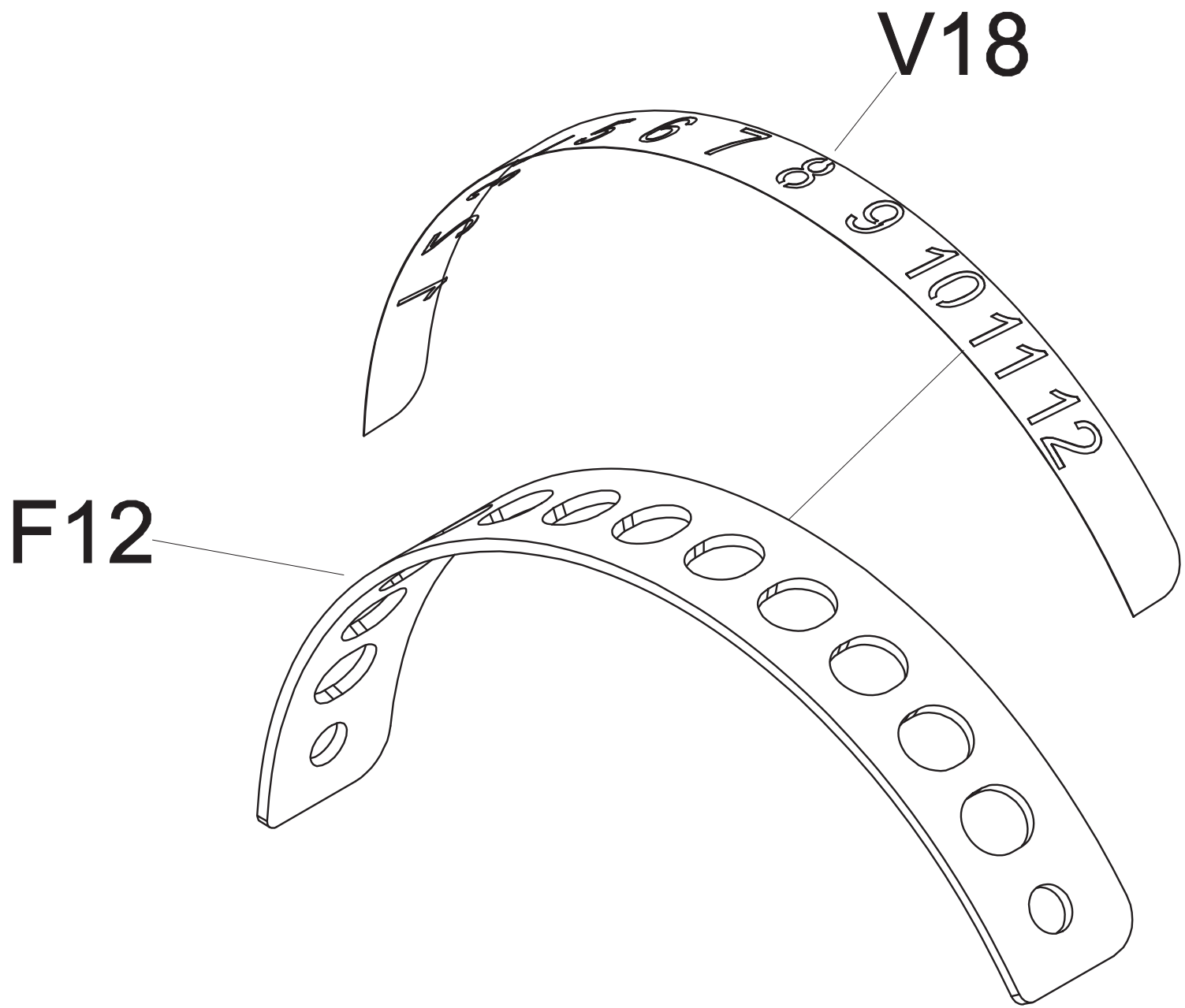
Part NO.	Color
1000419871	Iced Sliver
1000419874	Mat Black
1000419877	Platinum
1000419880	Polarized Titanium
1000419883	Lace White
1000419886	BlackGlossy
1000419889	Pearl White

DRAWING NO	GM107-SF02		
PART NAME	Leg Press Set;Paint;		
PART NO	See Chart	REV	A
APPROVE	KNIGHT	DATE	01122018

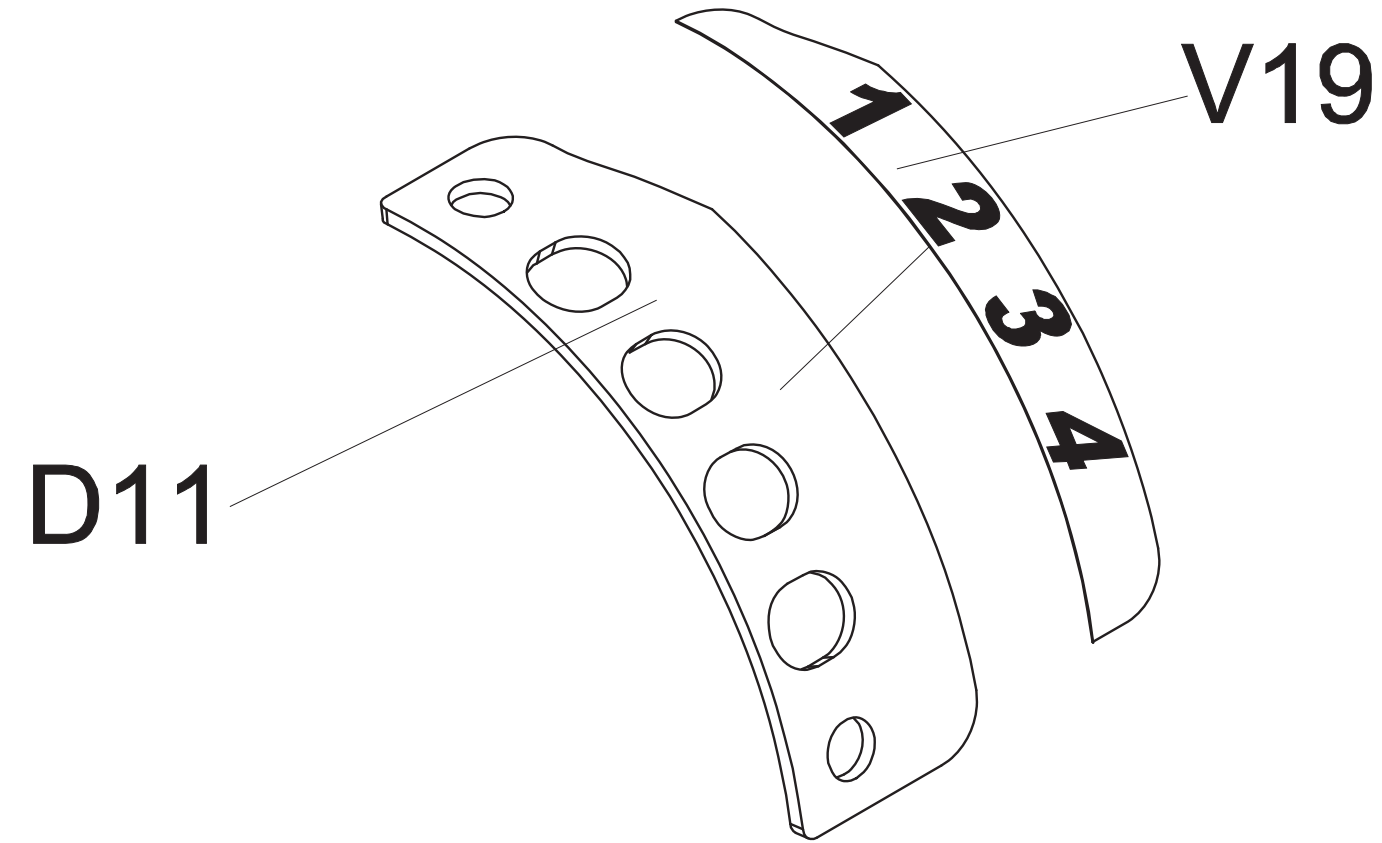


Part NO.	Color
1000420072	Iced Sliver
1000420077	Mat Black
1000420080	Platinum
1000420083	Polarized Titanium
1000420089	Lace White
1000420092	BlackGlossy
1000420095	Pearl White

DRAWING NO	GM107-SF06		
PART NAME	Adjust Plate Set;Three		
PART NO	1000420041	REV	A
APPROVE	KNIGHT	DATE	01122018



DRAWING NO	GM107-SF05		
PART NAME	Adjust Set;Two		
PART NO	1000420058	REV	A
APPROVE	KNIGHT	DATE	01122018



DRAWING NO	GM107-SF04		
PART NAME	Adjust Set;One		
PART NO	1000420118	REV	A
APPROVE	KNIGHT	DATE	01122018

