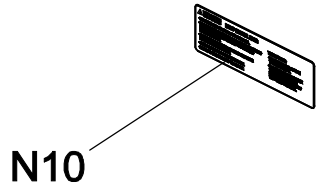
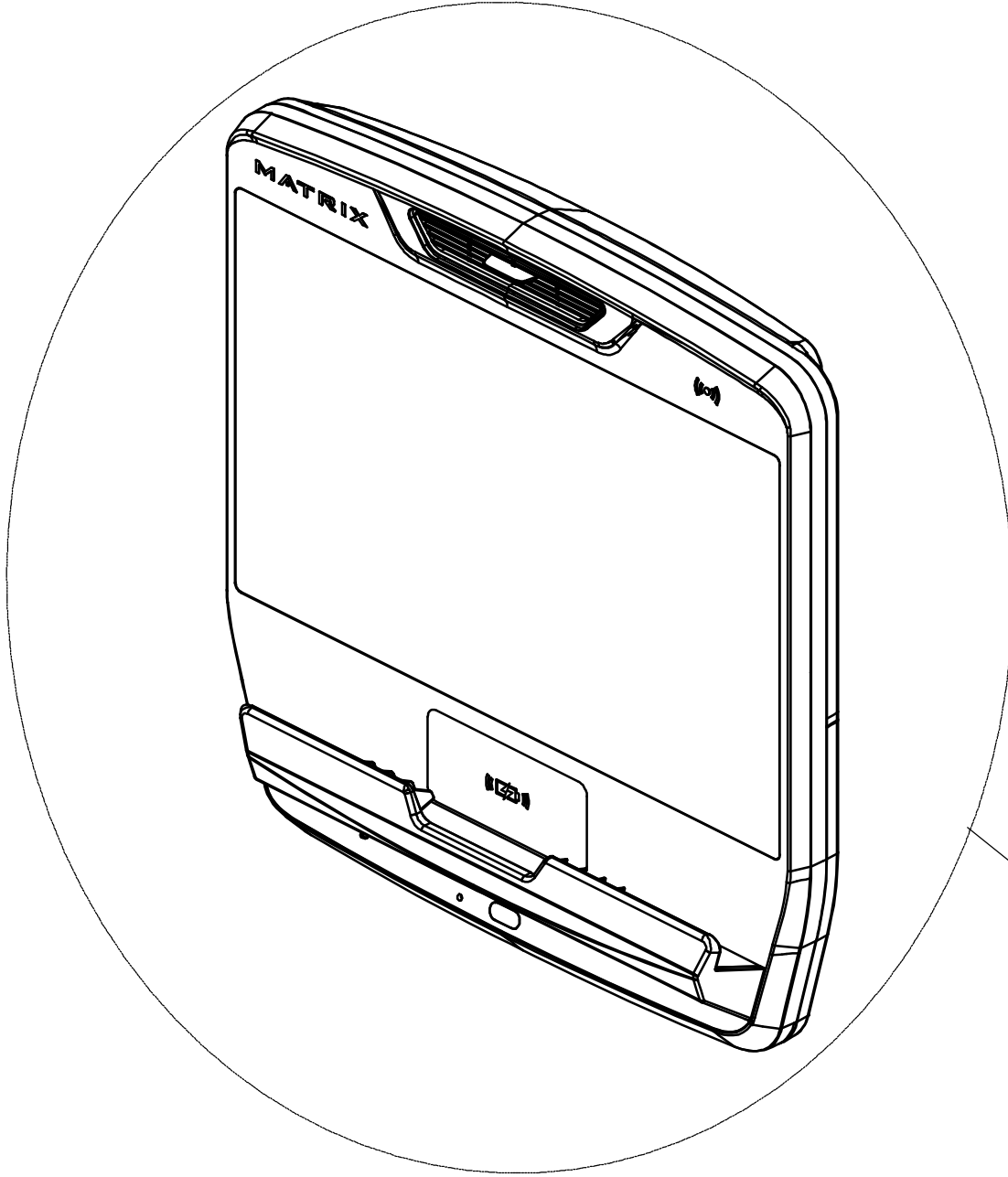
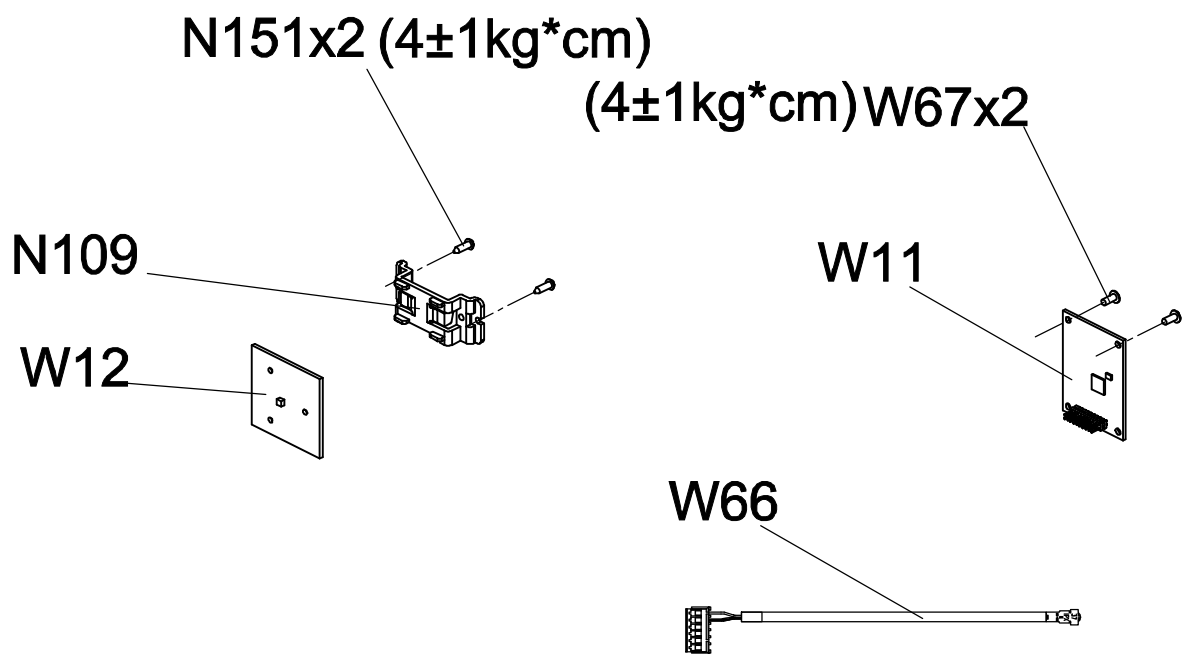


| | | | |
|------------|---------------------|------|------------|
| DRAWING NO | PTM757-US6-C | | |
| PART NAME | Explosive Rendering | | |
| PART NO | MTM1183-00 | REV | A |
| APPROVE | Harvey | DATE | 2019.10.29 |

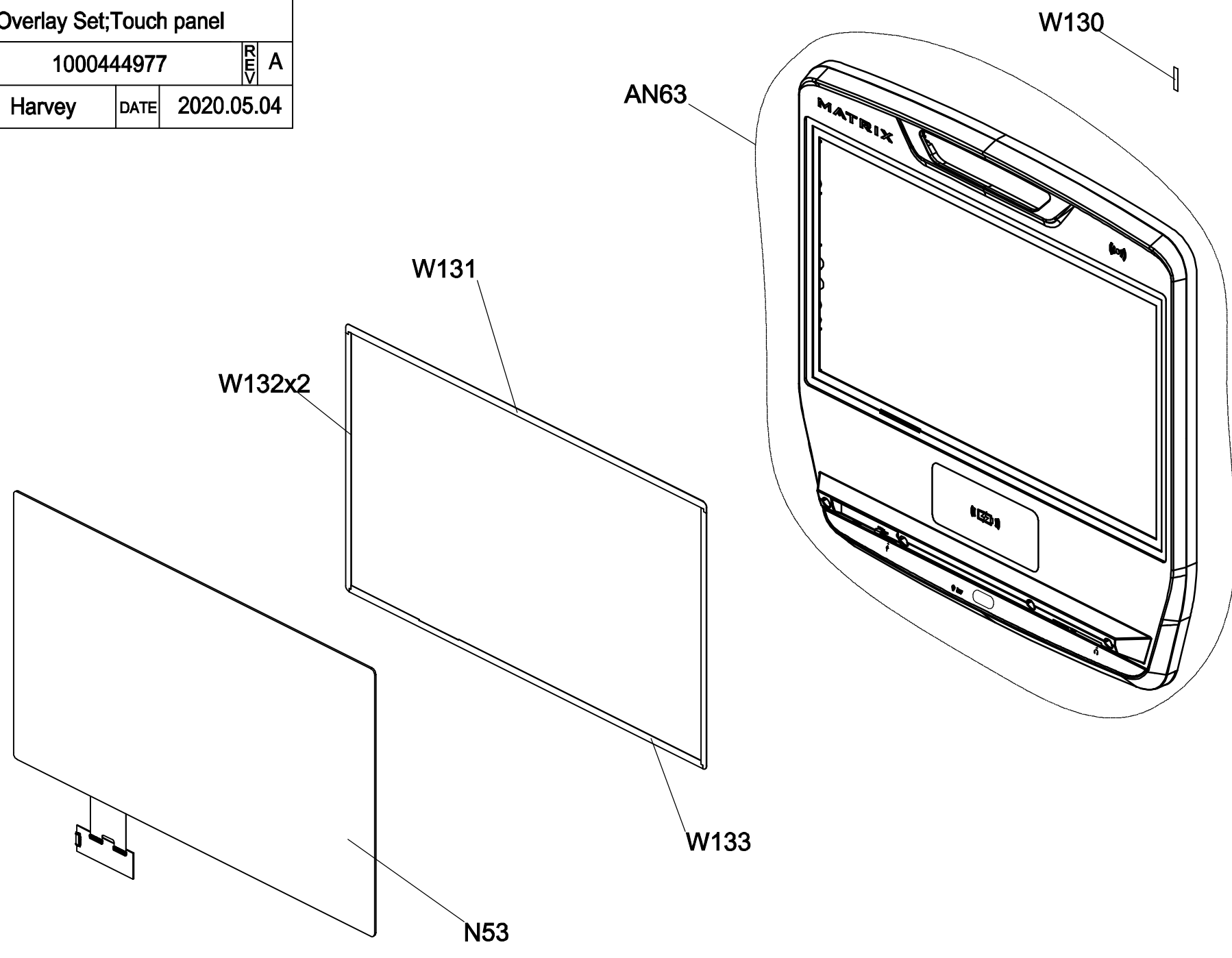


21

| | | | |
|------------|------------|------|------------|
| DRAWING NO | TM750-AW1 | | |
| PART NAME | RFID Set | | |
| PART NO | 1000433869 | REV | A |
| APPROVE | Harvey | DATE | 2019.10.11 |

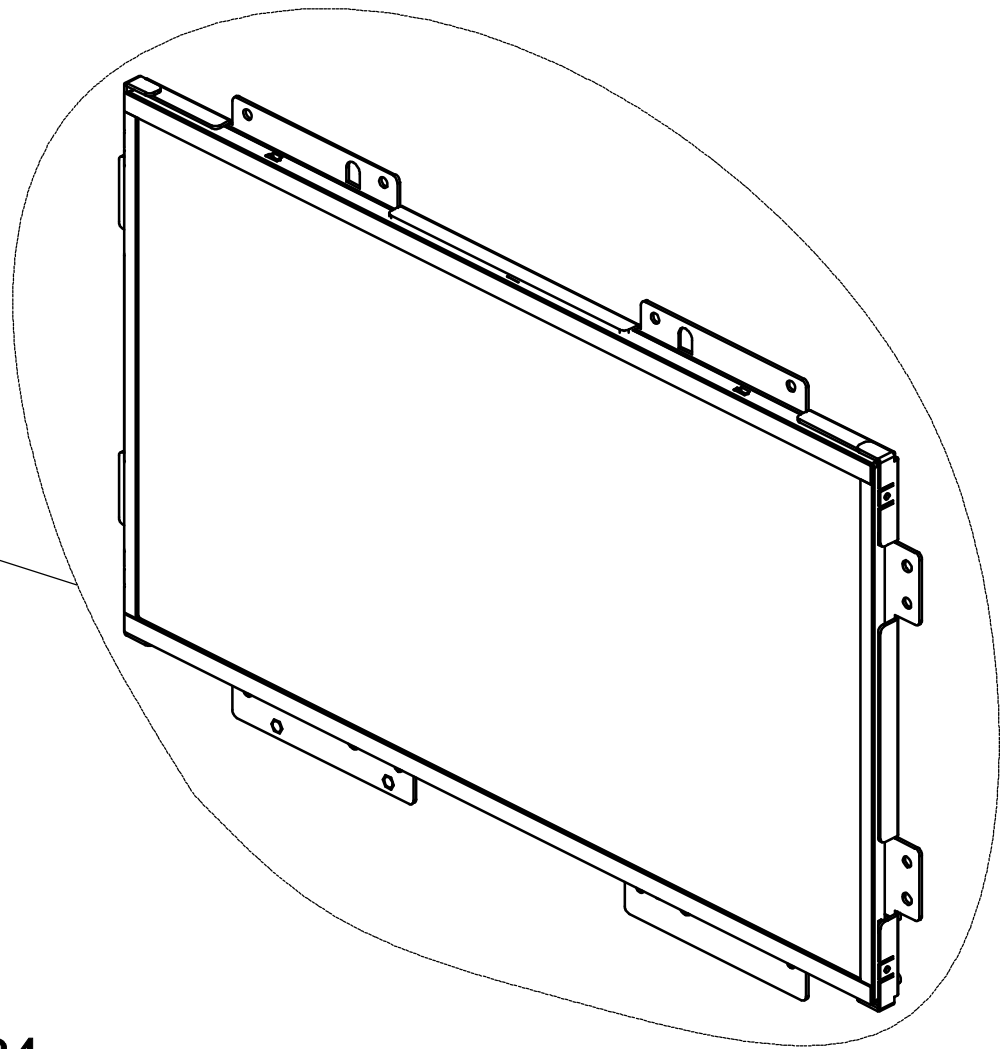


| | | | |
|------------|-------------------------|------|------------|
| DRAWING NO | TM757-AN62 | | |
| PART NAME | Overlay Set;Touch panel | | |
| PART NO | 1000444977 | REV | A |
| APPROVE | Harvey | DATE | 2020.05.04 |

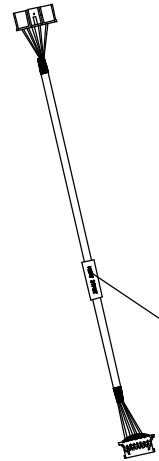
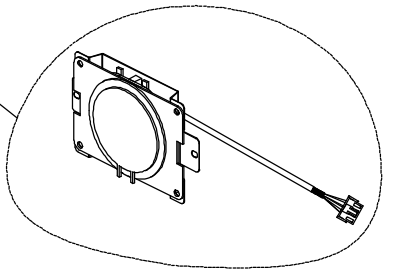


| | | | |
|------------|----------------------|------|------------|
| DRAWING NO | TM757-AW01 | | |
| PART NAME | Control Board Module | | |
| PART NO | 1000438365 | REV | A |
| APPROVE | Harvey | DATE | 2019.12.17 |

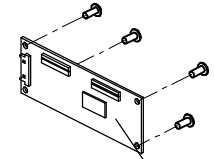
4



AW34



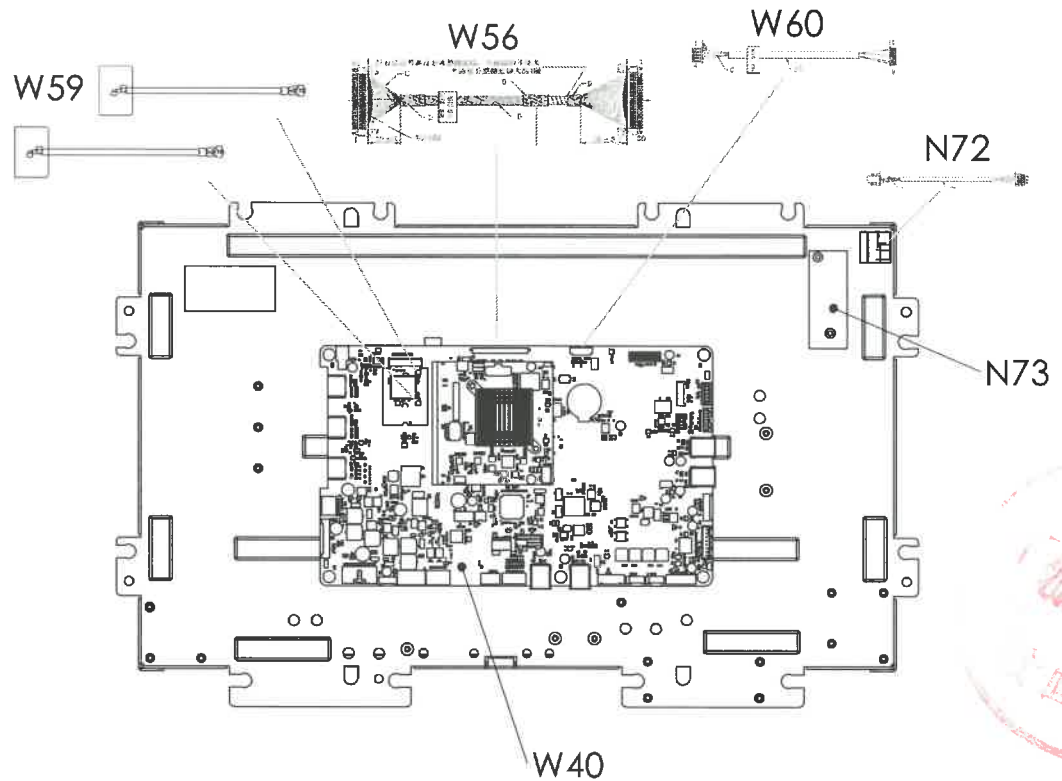
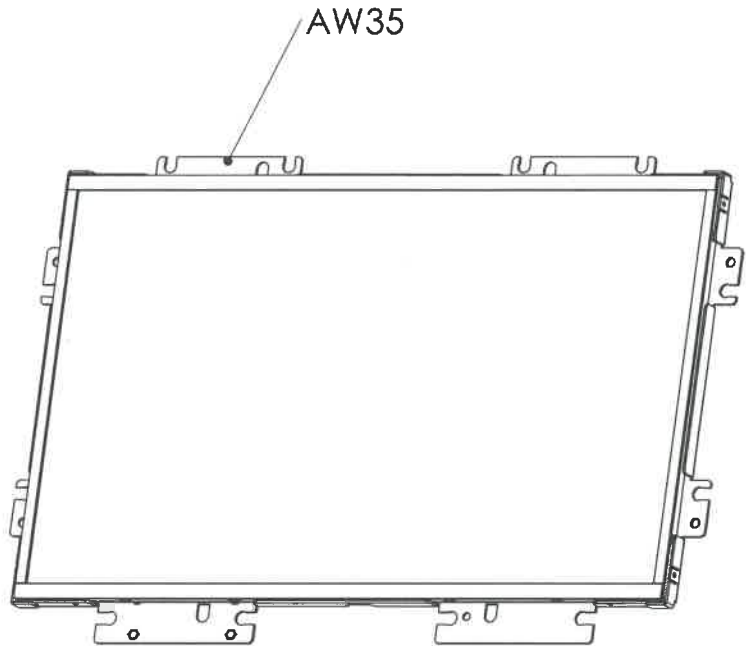
W57



W41

UNLESS OTHERWISE SPECIFIED TOLERANCES ARE:

| LENGTH | | ANGLE | |
|--------|--------|-------|--------|
| X. | ±1.5 | X.° | ±1° |
| X.X | ±0.5 | X.X° | ±0.5° |
| X.XX | ±0.20 | X.XX° | ±0.10° |
| X.XXX | ±0.100 | | |



備註:
1.新漢物料
2.組零件示意圖

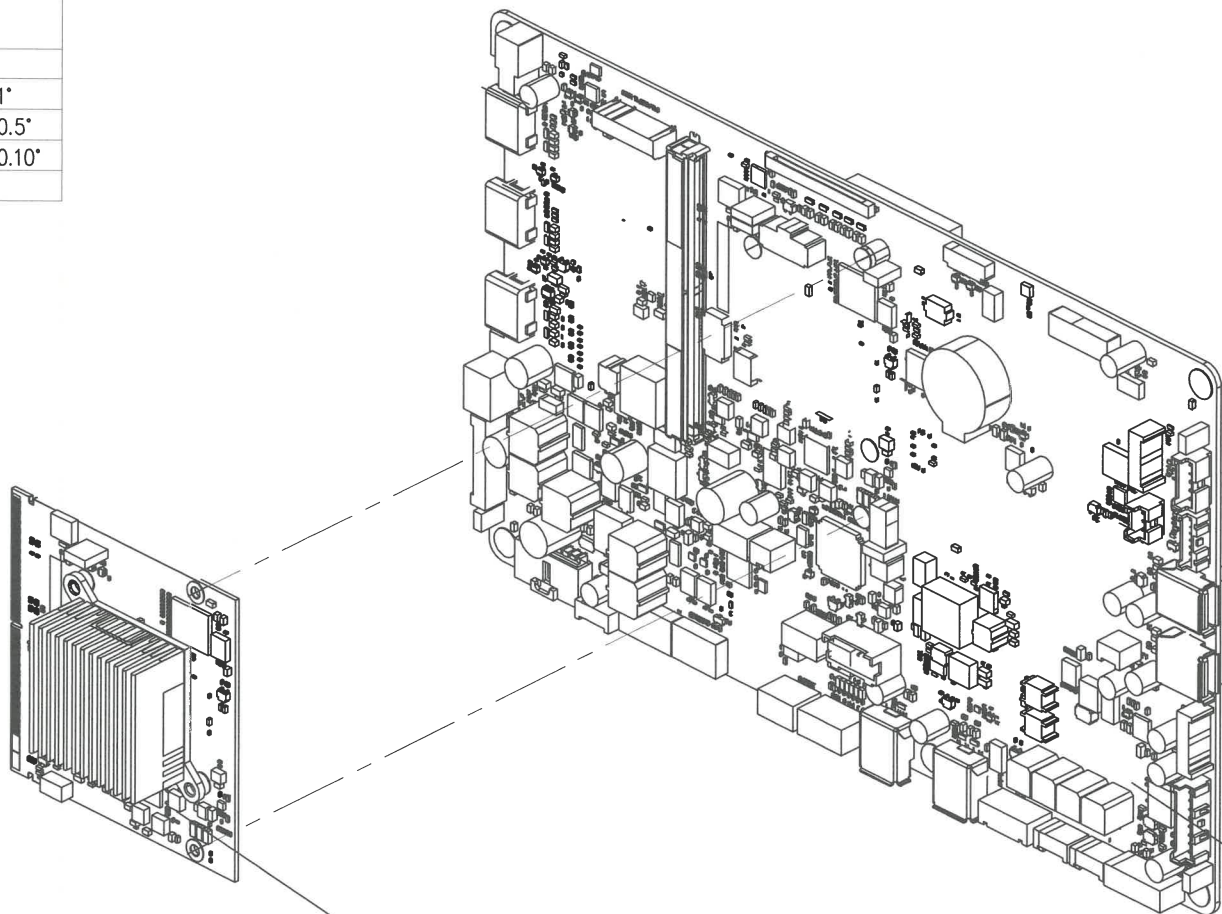
| UNIT | mm | MODEL NO | TOUCHXL-US6-C <th>UNIT STATE</th> <td>PD</td> | UNIT STATE | PD |
|------------|-----|---------------|--|------------|----|
| SCALE | 1:5 | DRAWING NO | TM757-AW32 | | |
| SHEET SIZE | A4H | PART NAME(CH) | TFT模組 | | |
| | | PART NAME(EN) | TFT module | | |
| | | SAP PART NO | 1000438367 | | B |
| | | SAP 料號 | | | |
| | | | 喬山健康科技(台灣)有限公司 JOHNSON HEALTH TEC. (TAIWAN) CO.,LTD | | |
| | | | 喬山健康科技(上海)有限公司 JOHNSON HEALTH TEC. (SHANGHAI) CO.,LTD | | |

| | | | | | | | | | |
|-----|-------------|------------------------|----------|--------|--------|------|--|--|--|
| △ | | | | | | | | | |
| △ | | | | | | | | | |
| △ | | | | | | | | | |
| B | ECO19100045 | 圖號修改 | weizy | 101719 | | | | | |
| A | | RELEASE FOR PRODUCTION | weizy | 100719 | | | | | |
| LET | ECO NO | DESCRIPTION | APPROVER | DATE | DESIGN | DATE | | | |
| 項目 | 設變單號 | 修改內容 | 審核 | 日期 | 設計 | 日期 | | | |



UNLESS OTHERWISE SPECIFIED
TOLERANCES ARE □

| LENGTH | | ANGLE | |
|--------|--------|-------|--------|
| X. | ±1.5 | X. | ±1° |
| X.X | ±0.5 | X.X | ±0.5° |
| X.XX | ±0.20 | X.XX | ±0.10° |
| X.XXX | ±0.100 | | |



W32

W35

| | | | | | | | | | | | |
|-----------|-------------|------------------------|----------------|------------|--------------|--------------------|------|---------------------------|--|-------------|----|
| | | | | | | UNIT 單位 | mm | MODEL NO 機種 | TM756 | 狀態 STATE | PD |
| | | | | | | SCALE 比例 | FREE | DRAWING NO 圖號 | TM756-W31 | | |
| | | | | | | SHEET SIZE 圖紙大小 | A4H | PART NAME(CH) 零件名稱(中文) | Chimera 主板 | | |
| | | | | | | | | PART NAME(EN) 零件名稱(英文) | Chimera Control Board | | |
| | | | | | | | | SAP PART NO SAP料號 | 1000433465 | | B |
| B | ECO20060057 | RELEASE FOR PRODUCTION | | | | | | | 喬山健康科技(台灣)有限公司 JOHNSON HEALTH TEC. (TAIWAN) CO.,LTD | | |
| LET 項目 | ECO 編號 | DESCRIPTION 修改內容 | APPROVER 審核 | DATE 日期 | DESIGN 設計 | DATE 日期 | | | 喬山健康科技(上海)有限公司 JOHNSON HEALTH TEC (SHANGHAI) CO LTD | | O |

