
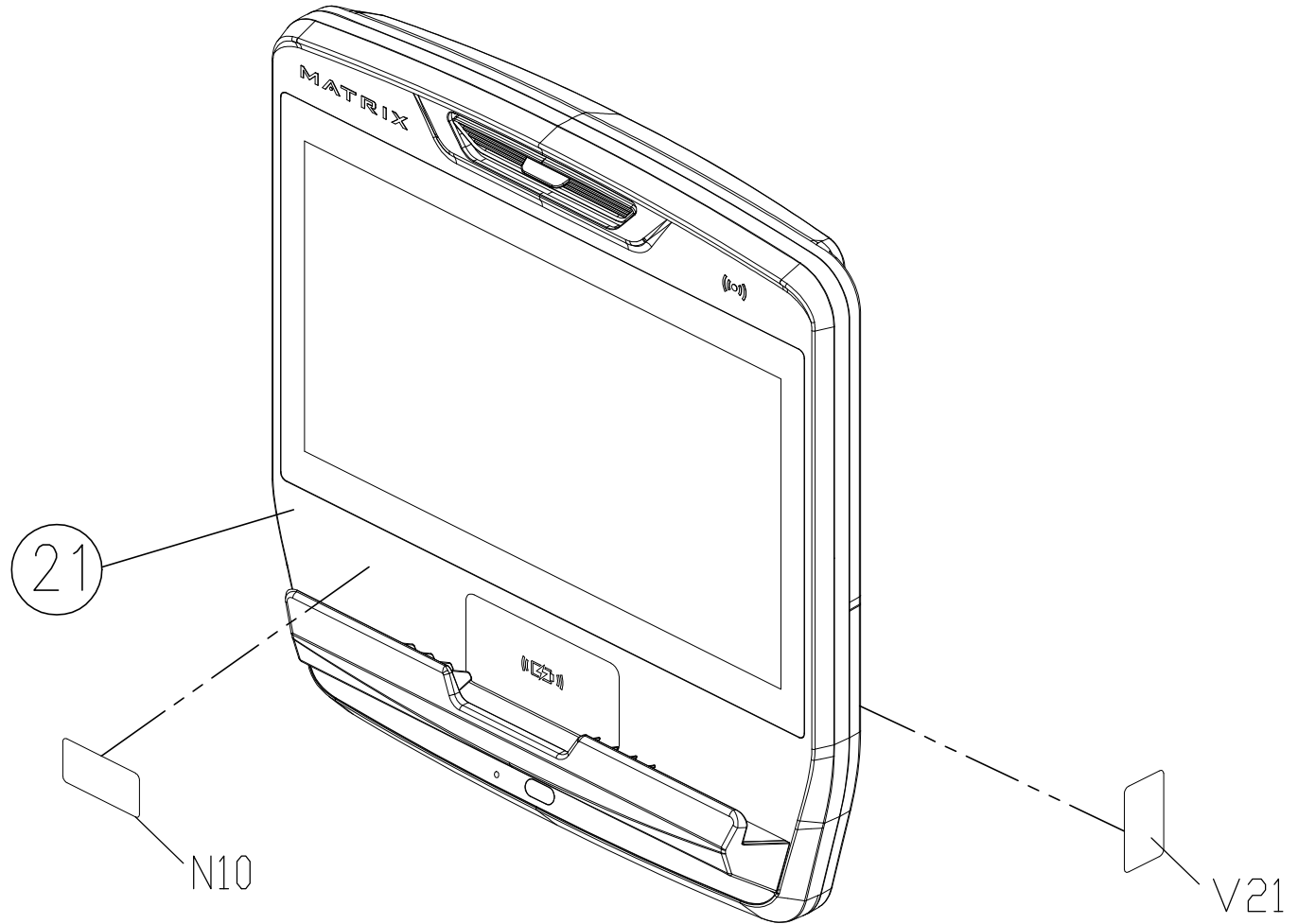


DRAWING NO	TM757H-A04		
PART NAME	ASSEMBLY VIEW		
PART NO	1000456018  C		
APPROVE	SHUYI	DATE	110620

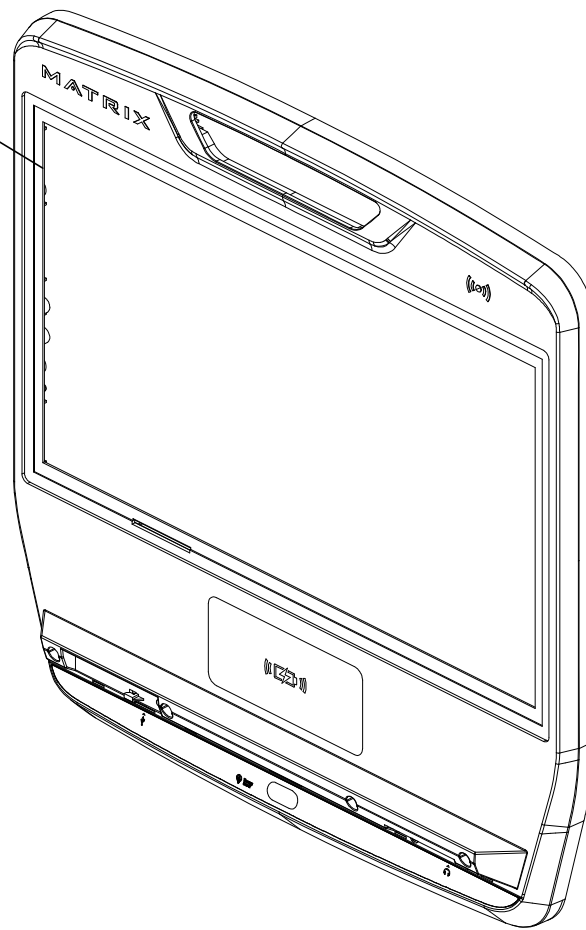
SAP PART NO
MTM1637-00
MTM1638-00
MTM1639-00
MTM1681-00
MTM1685-00





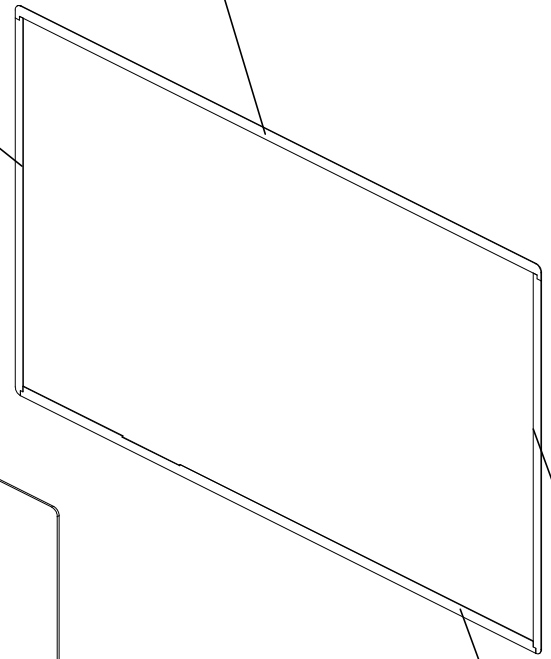
DRAWING NO	TM757K-AN62		
PART NAME	Overlay Set, Touch panel		
PART NO	1000458740		
APPROVE	Hsinyen	DATE	12/09/20

AN63



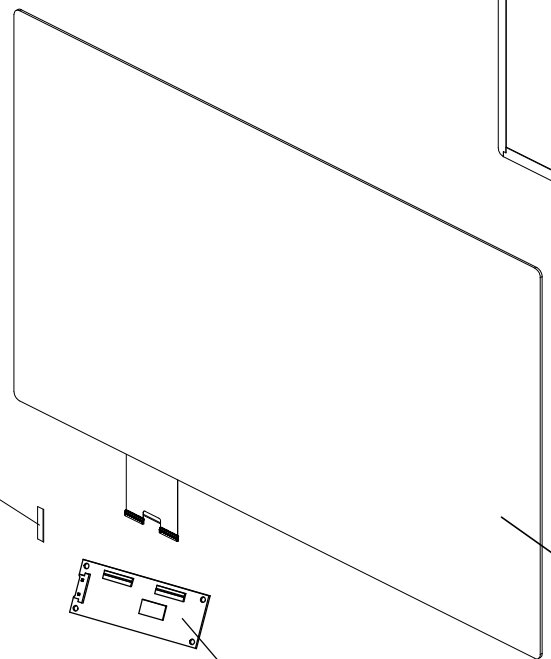
W131

W132



W141

W133

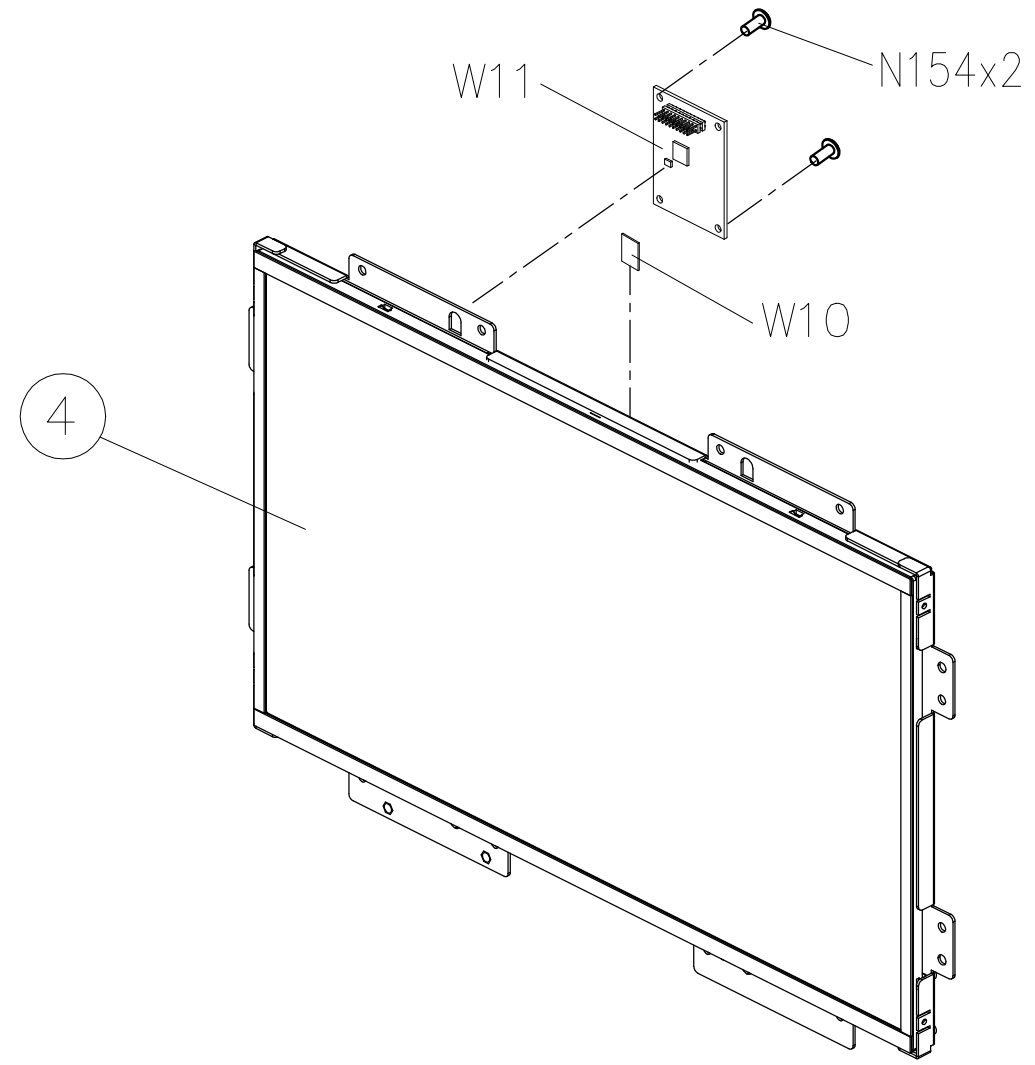


W130

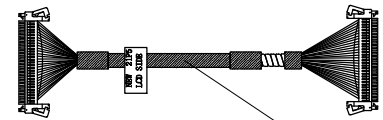
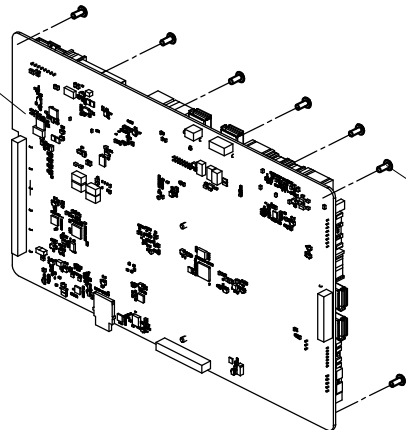
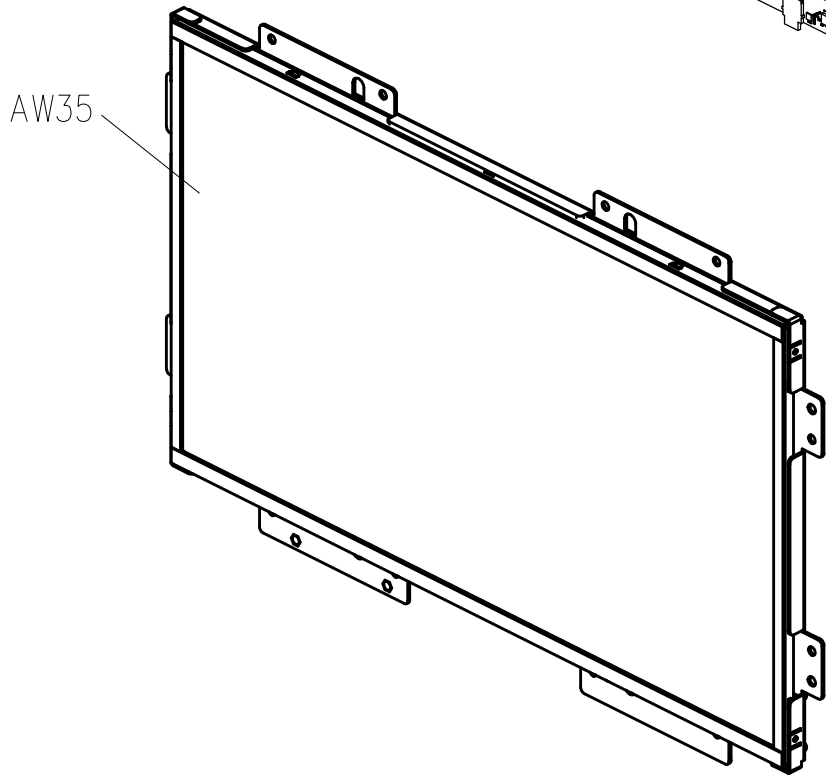
N53

W41

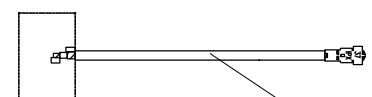
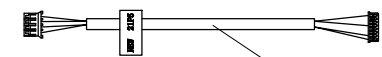
DRAWING NO	TM757H-AW2		
PART NAME	Control Board		
PART NO	1000456021D		
APPROVE	SHUYI	DATE	022421



DRAWING NO	TM757H-AW1		
PART NAME	Control board		
PART NO	1000456022		
APPROVE	SHUYI	DATE	022421



N158x7



W56

W60

W59x2

DRAWING NO	TM757H-AW3
PART NAME	TFT LCD SET
PART NO	1000456023B
APPROVE	Hsinyen
DATE	10/06/20

