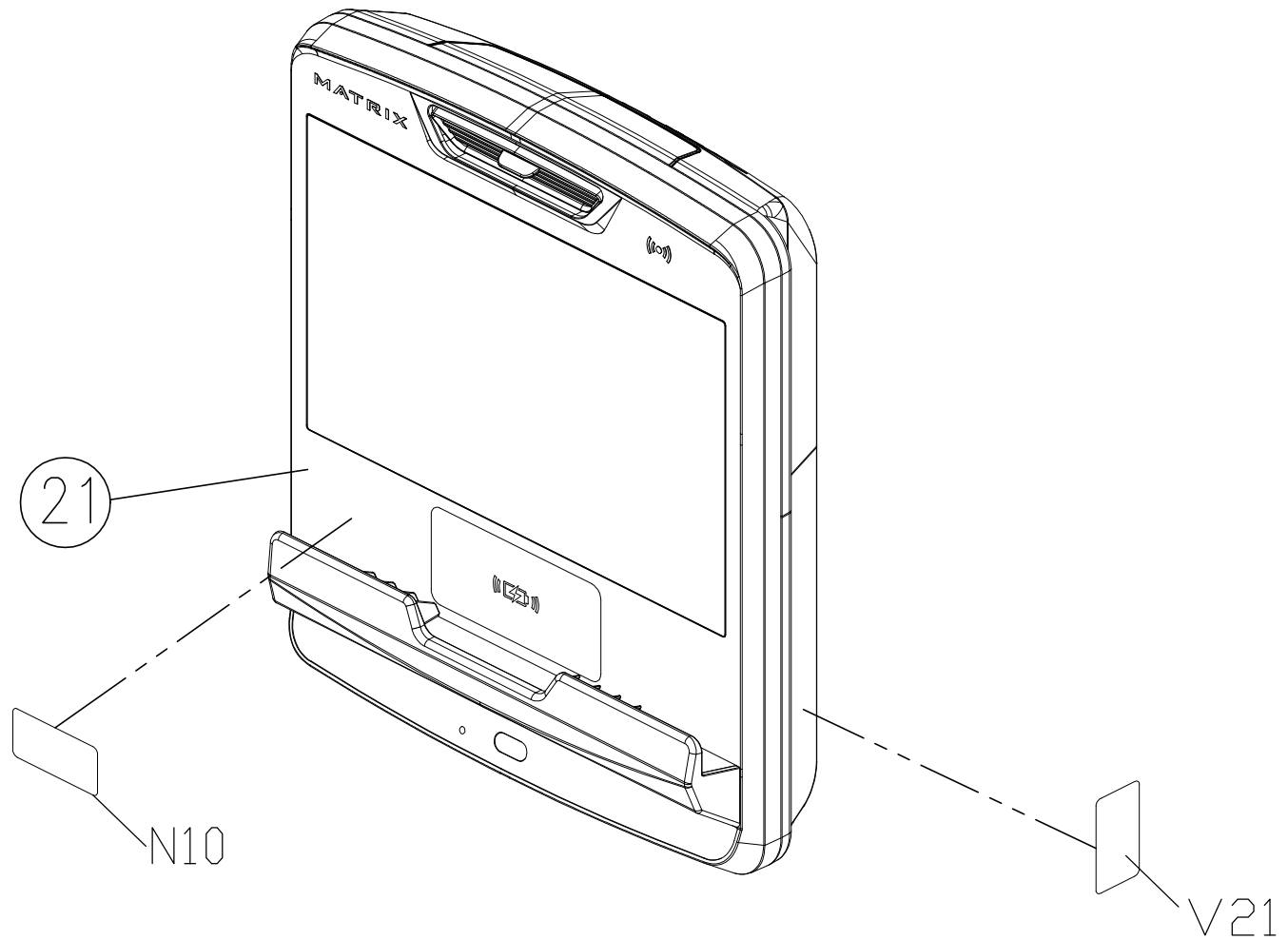


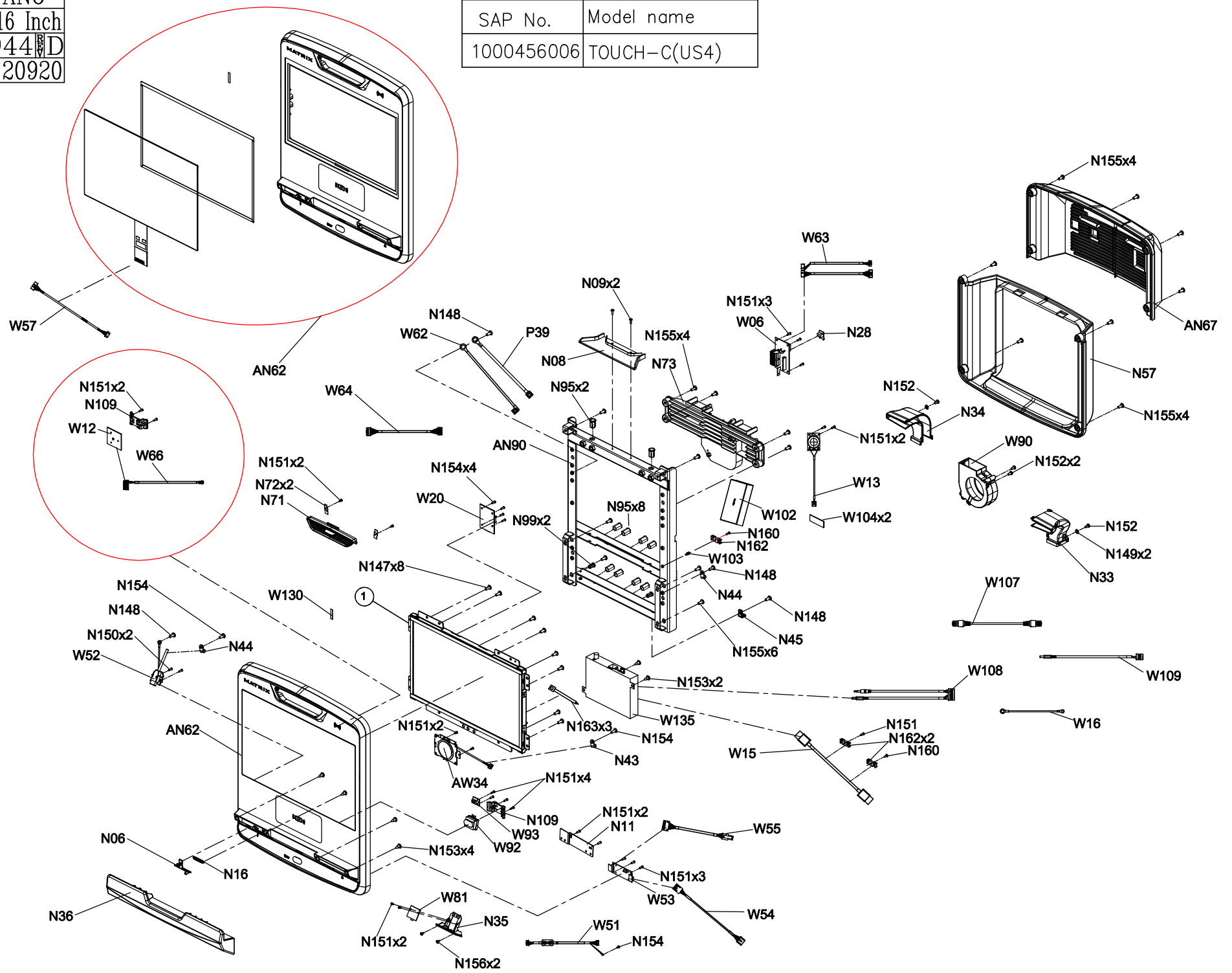
|            |               |      |        |
|------------|---------------|------|--------|
| DRAWING NO | TM756H-A04    |      |        |
| PART NAME  | ASSEMBLY VIEW |      |        |
| PART NO    | 1000456004    |      | C      |
| APPROVE    | SHUYI         | DATE | 110620 |

|             |
|-------------|
| SAP PART NO |
| MTM1634-00  |
| MTM1635-00  |
| MTM1636-00  |
| MTM1680-00  |
| MTM1684-00  |

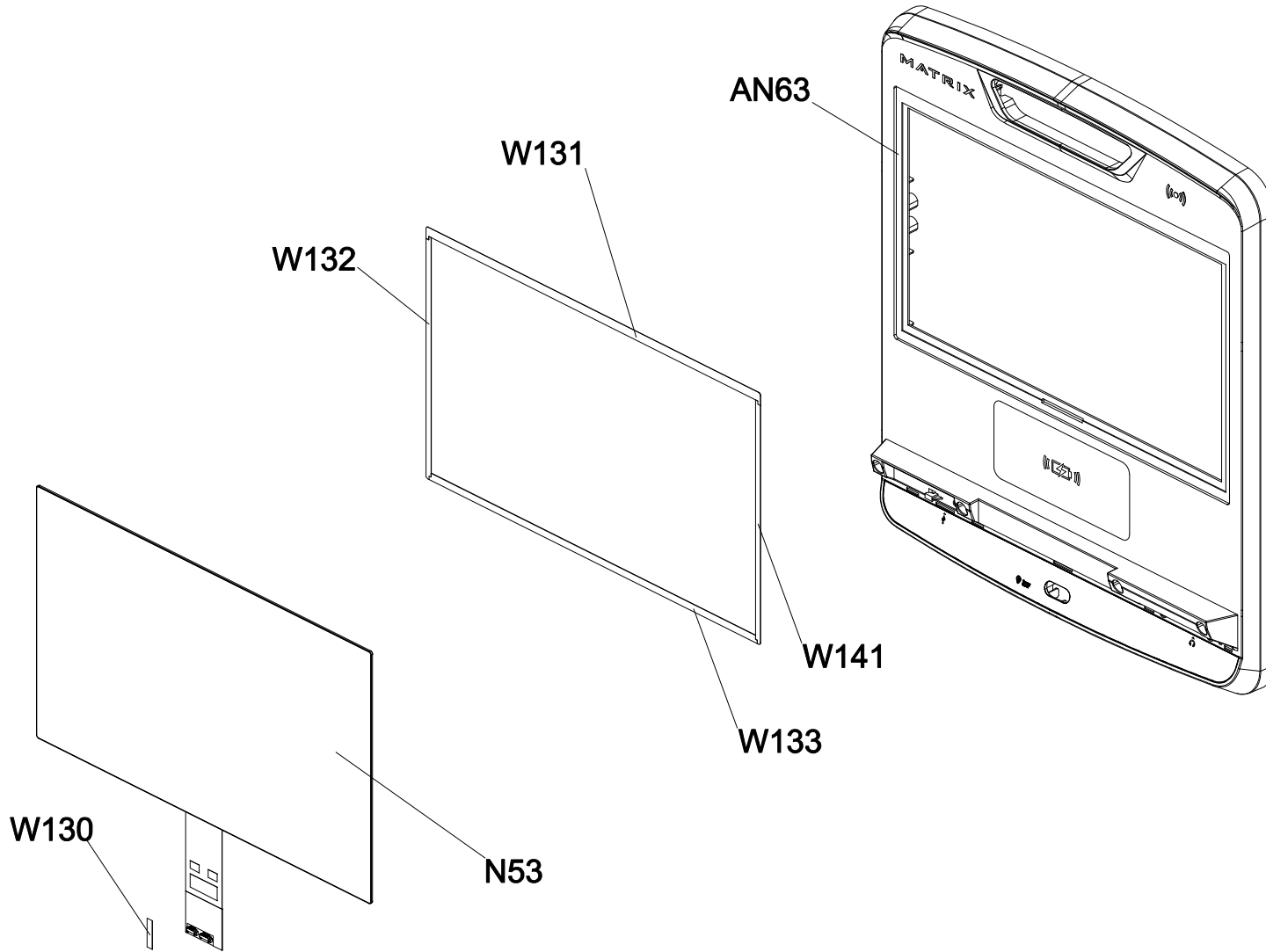


|            |                       |
|------------|-----------------------|
| DRAWING NO | TM756H-AN6            |
| PART NAME  | Console Set;:;16 Inch |
| PART NO    | 1000456944D           |
| APPROVE    | JIMMY DATE 120920     |

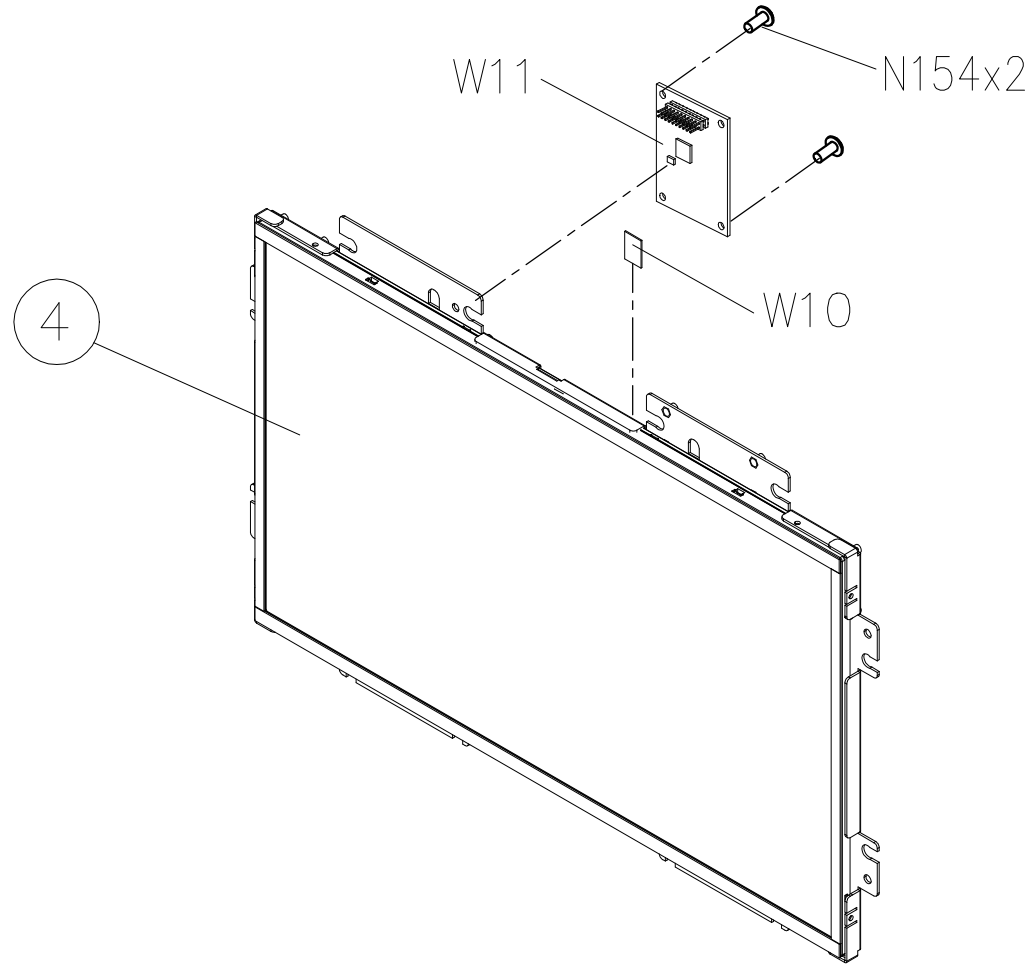
|            |              |
|------------|--------------|
| SAP No.    | Model name   |
| 1000456006 | TOUCH-C(US4) |



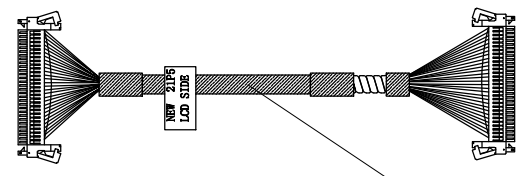
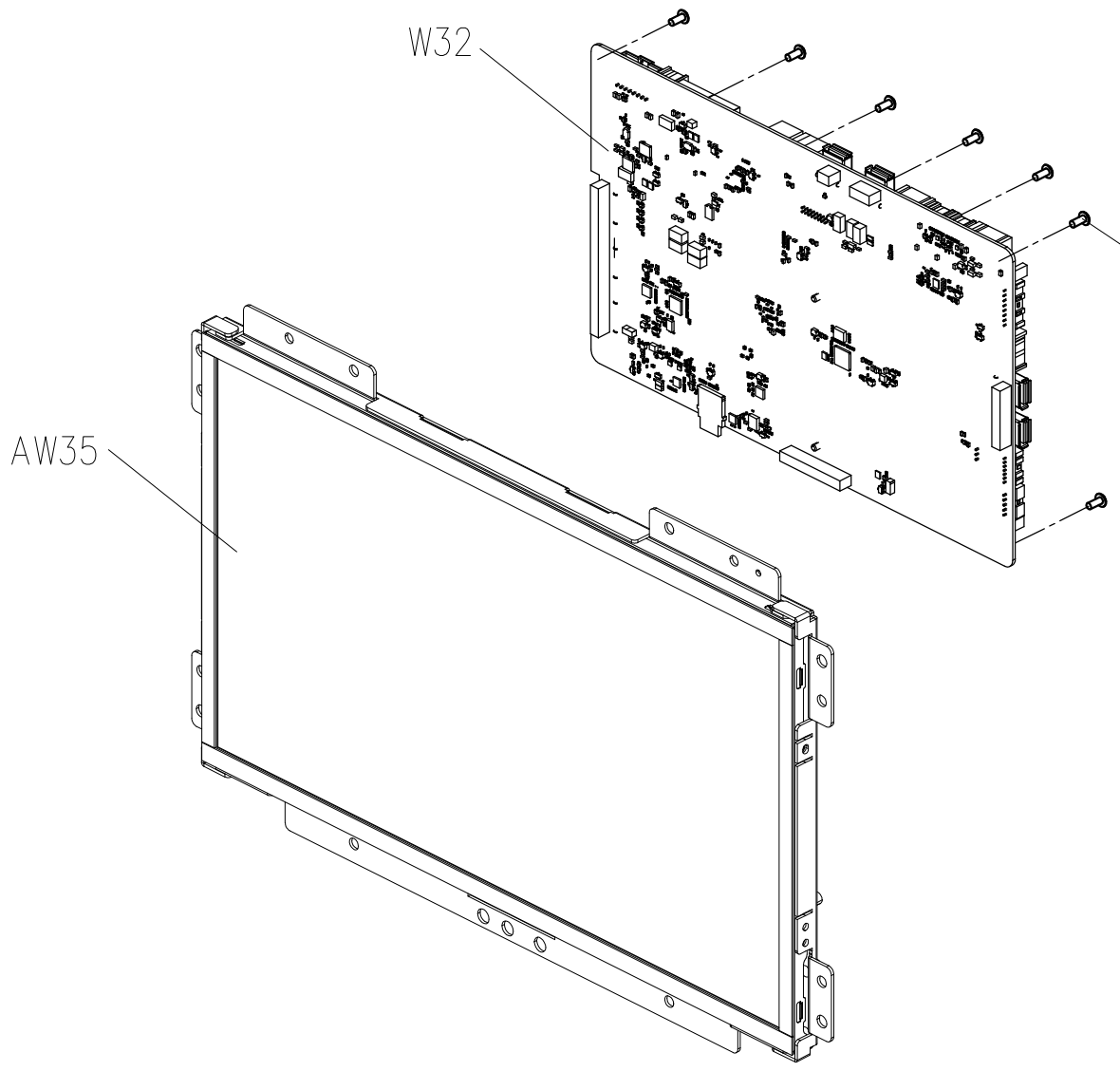
|            |                         |      |        |
|------------|-------------------------|------|--------|
| DRAWING NO | TM756K-AN62             |      |        |
| PART NAME  | Overlay Set;Touch panel |      |        |
| PART NO    | 1000458739              |      |        |
| APPROVE    | SHUYI                   | DATE | 120920 |



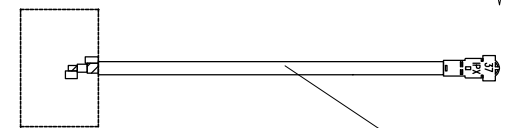
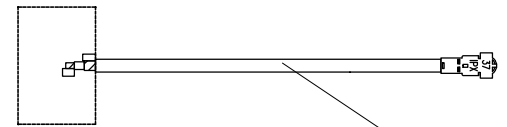
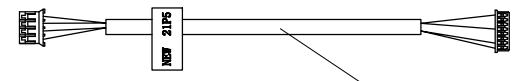
|            |               |      |        |
|------------|---------------|------|--------|
| DRAWING NO | TM756H-AW2    |      |        |
| PART NAME  | Control Board |      |        |
| PART NO    | 1000456007D   |      |        |
| APPROVE    | SHUYI         | DATE | 022421 |



|            |               |      |        |
|------------|---------------|------|--------|
| DRAWING NO | TM756H-AW1    |      |        |
| PART NAME  | Control board |      |        |
| PART NO    | 1000456008    |      |        |
| APPROVE    | SHUYI         | DATE | 022421 |



N154x7



W56

W60

W59

W58

W32

AW35