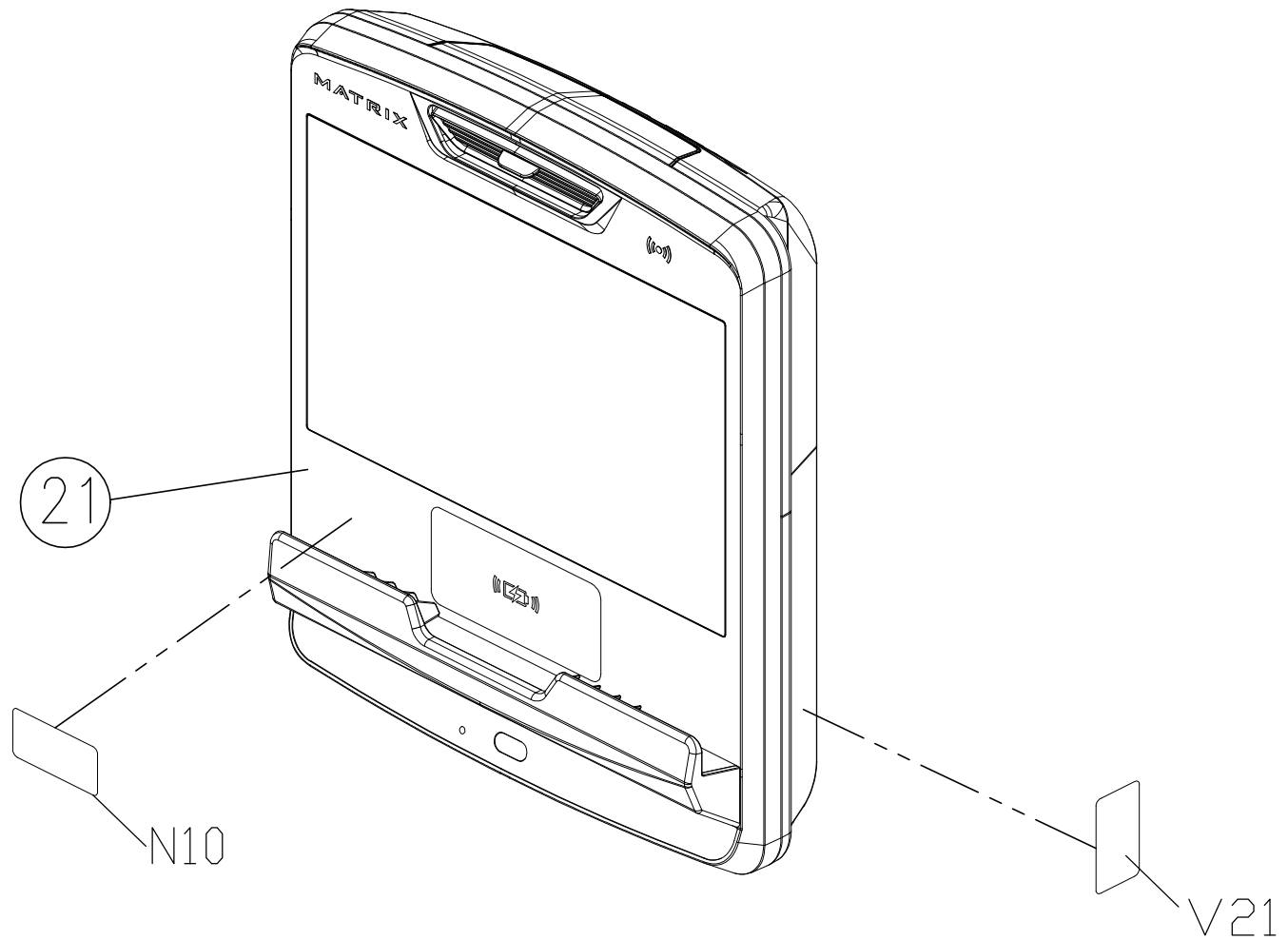


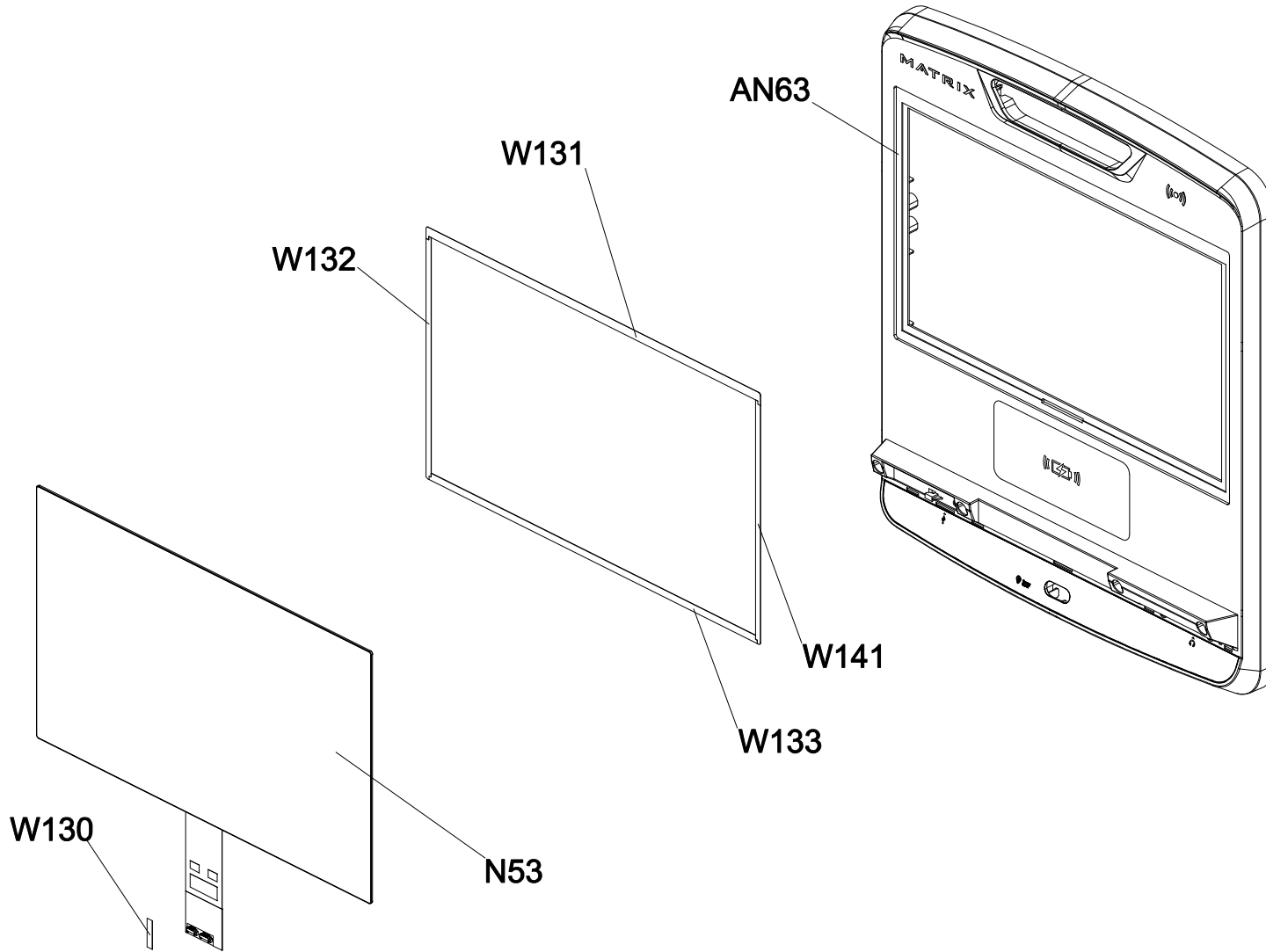
DRAWING NO	TM756H-A04		
PART NAME	ASSEMBLY VIEW		
PART NO	1000456004		C
APPROVE	SHUYI	DATE	110620

SAP PART NO
MTM1634-00
MTM1635-00
MTM1636-00
MTM1680-00
MTM1684-00

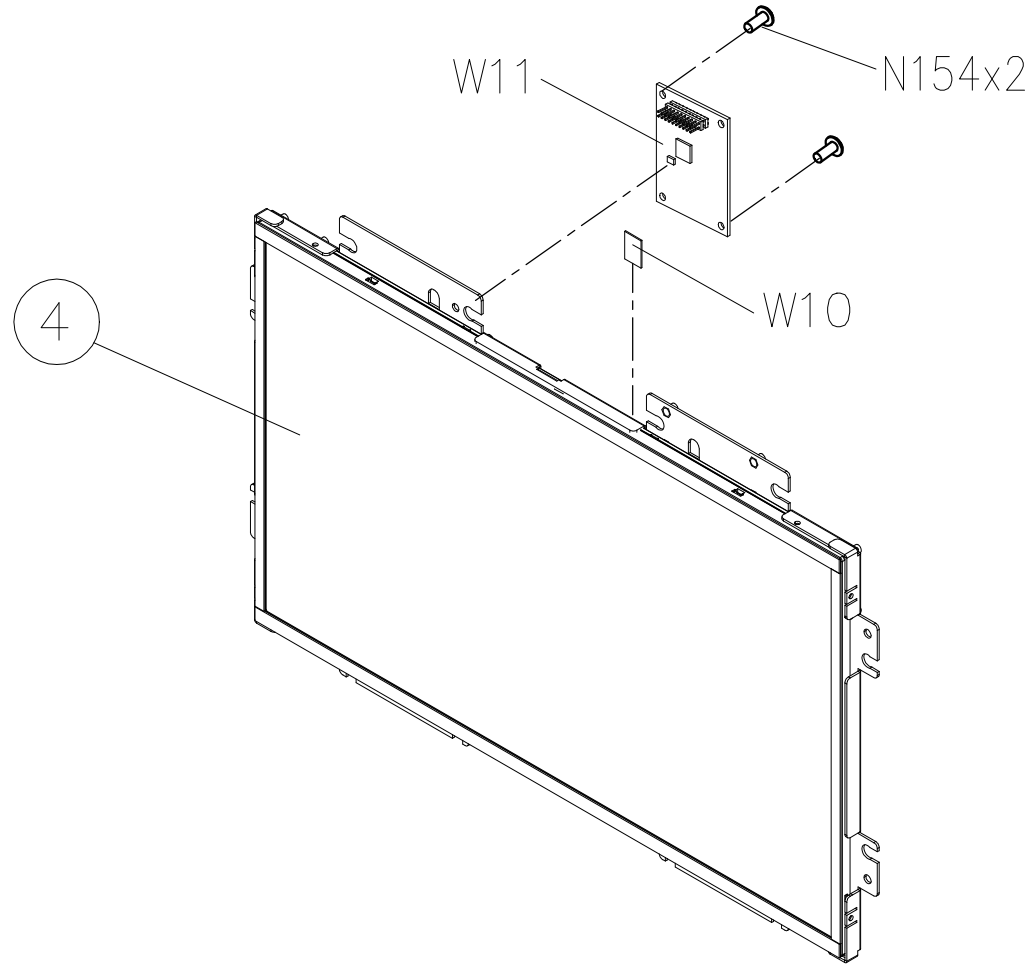




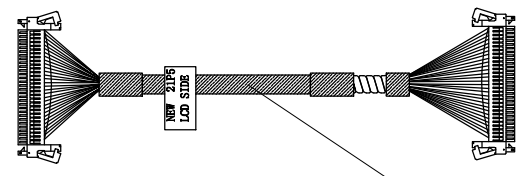
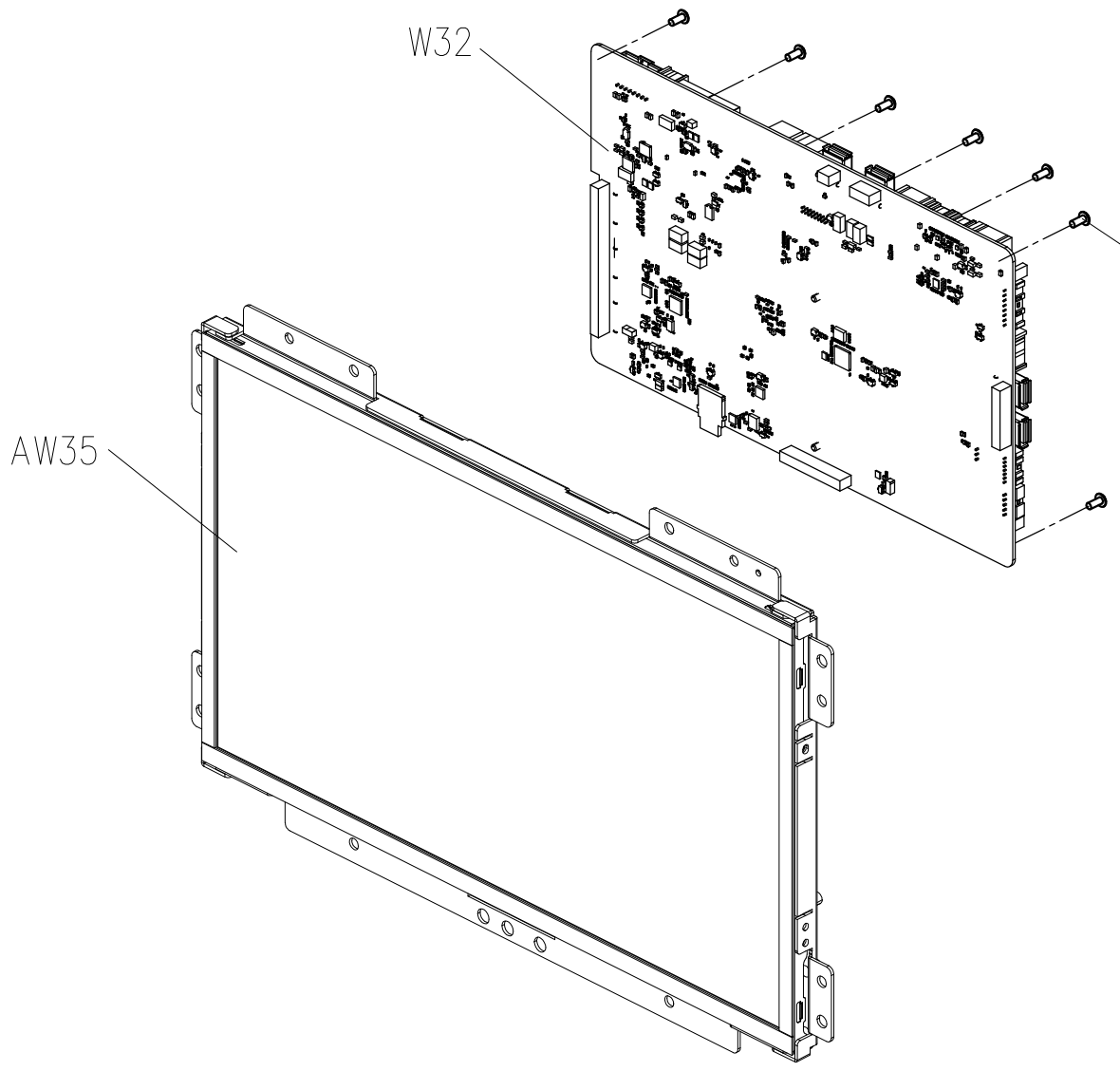
DRAWING NO	TM756K-AN62		
PART NAME	Overlay Set;Touch panel		
PART NO	1000458739		
APPROVE	SHUYI	DATE	120920



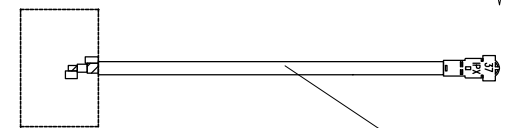
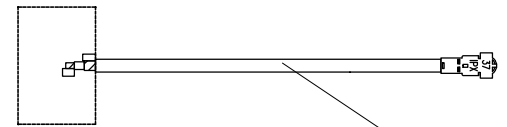
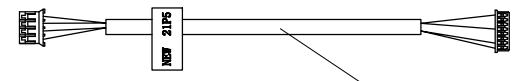
DRAWING NO	TM756H-AW2		
PART NAME	Control Board		
PART NO	1000456007D		
APPROVE	SHUYI	DATE	022421



DRAWING NO	TM756H-AW1		
PART NAME	Control board		
PART NO	1000456008		
APPROVE	SHUYI	DATE	022421



N154x7



W56

W60

W59

W58

W32

AW35