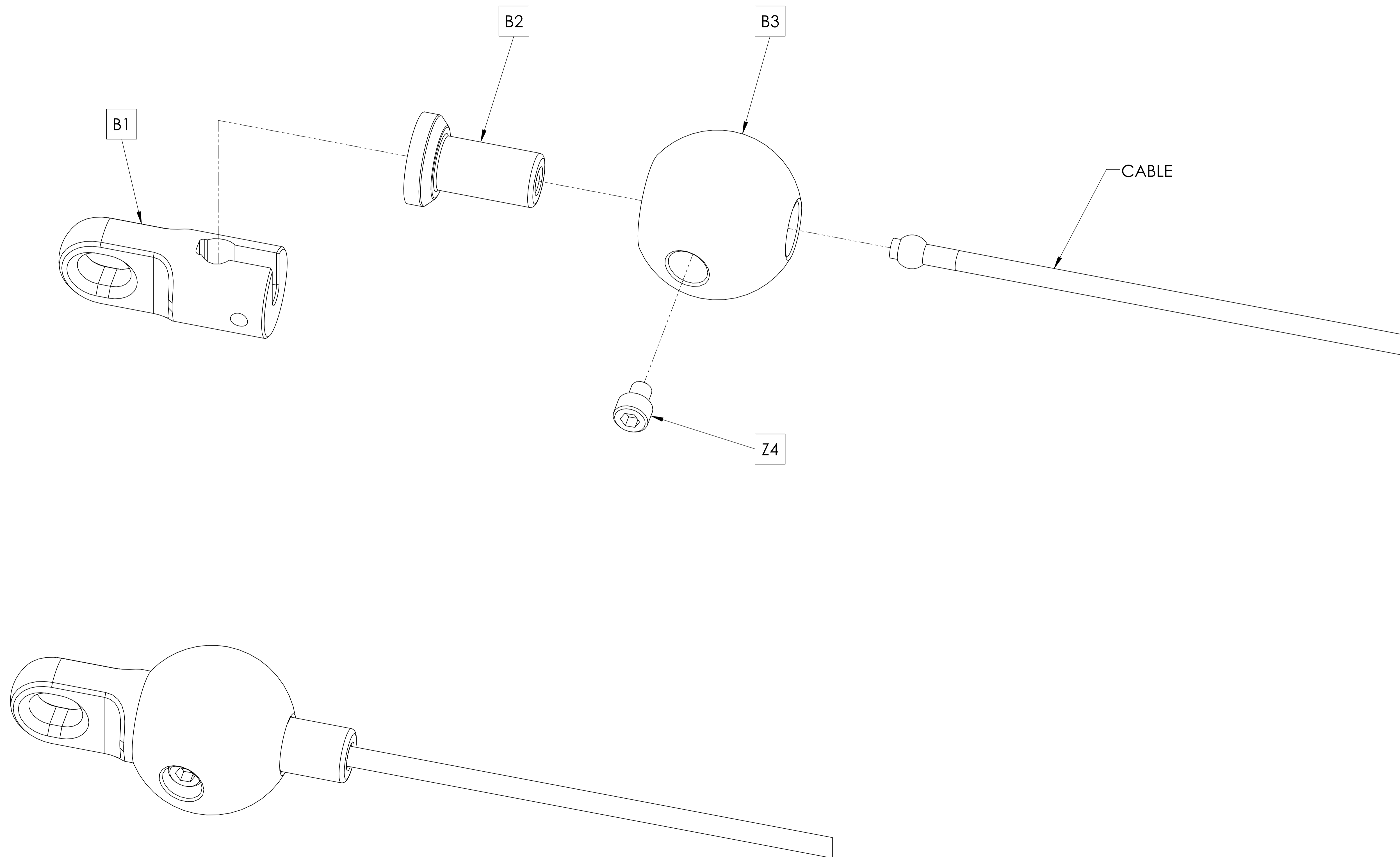


**MATRIX**

DWG NO.		MG-FS943-06 SERVICE	
DESCRIPTION:		ADJ PULLEY (4:1) FREESTANDING (Strength - Multi-Station)	
DRAWN BY:	LG	DATE:	2020.APR.21
UPDATED BY:		DATE:	



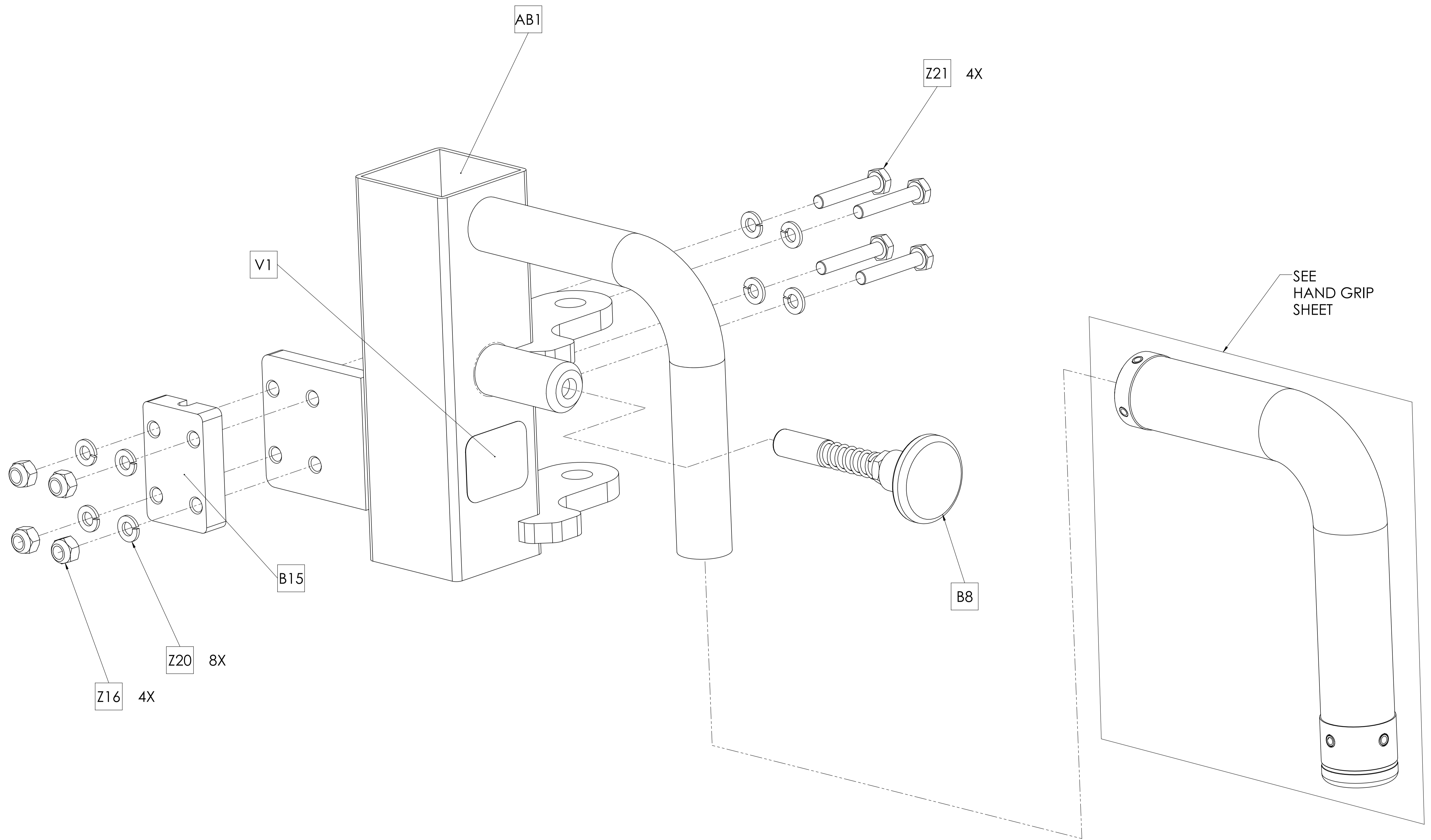
**MATRIX**

DWG NO. 161-442 SERVICE

DESCRIPTION: CABLE END BALL ASSEMBLY

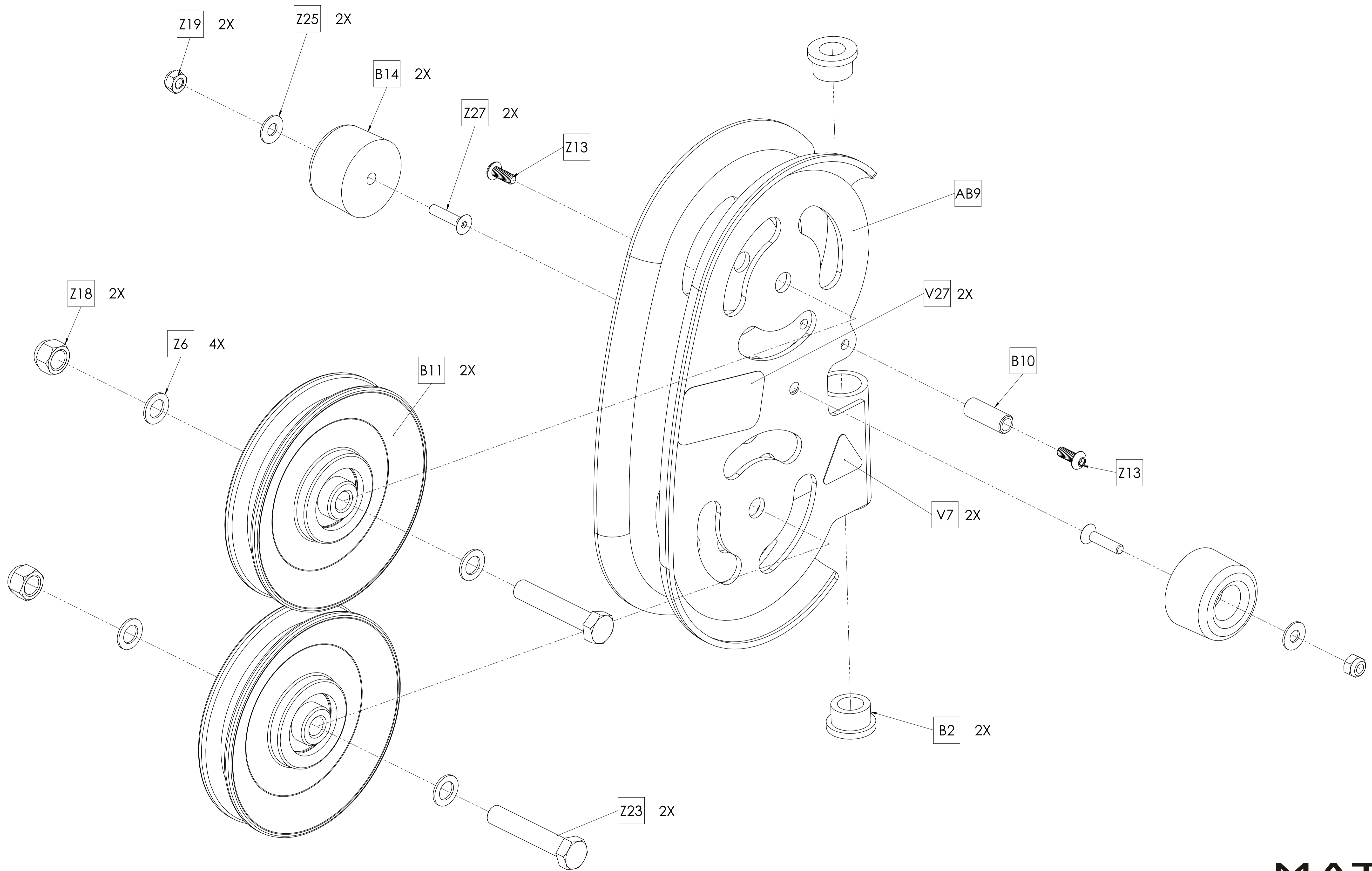
DRAWN BY: LG DATE: 2019.SEP.18

UPDATED BY: LG DATE: 2020.APR.17



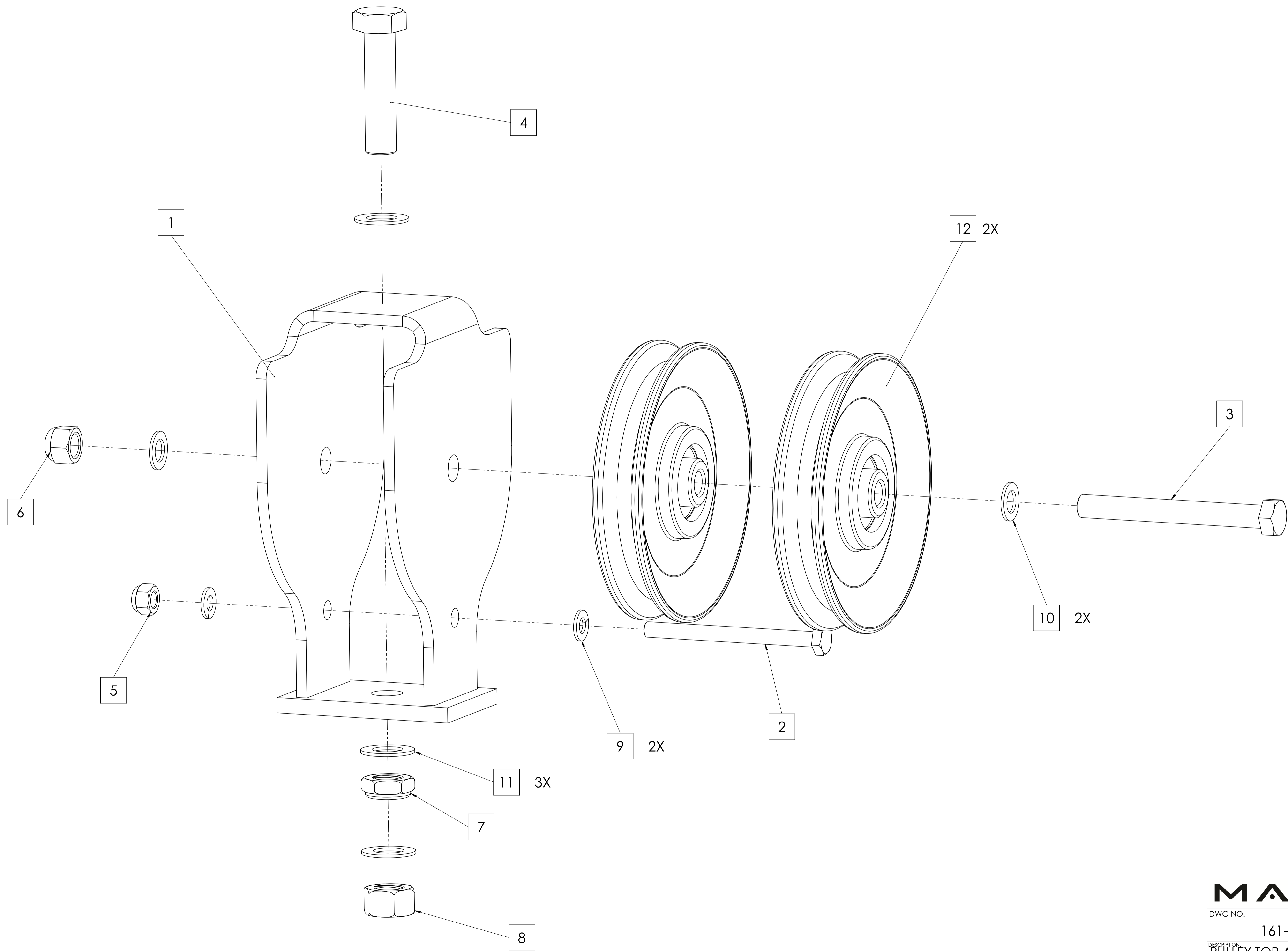
**MATRIX**

DWG NO.			161-148 SERVICE		
DESCRIPTION:			SLIDE ASSEMBLY; FORMED BOOK (Strength)		
DRAWN BY:	LMB	DATE:	2016.JUL.26		
UPDATED BY:	LG	DATE:	2020.APR.17		



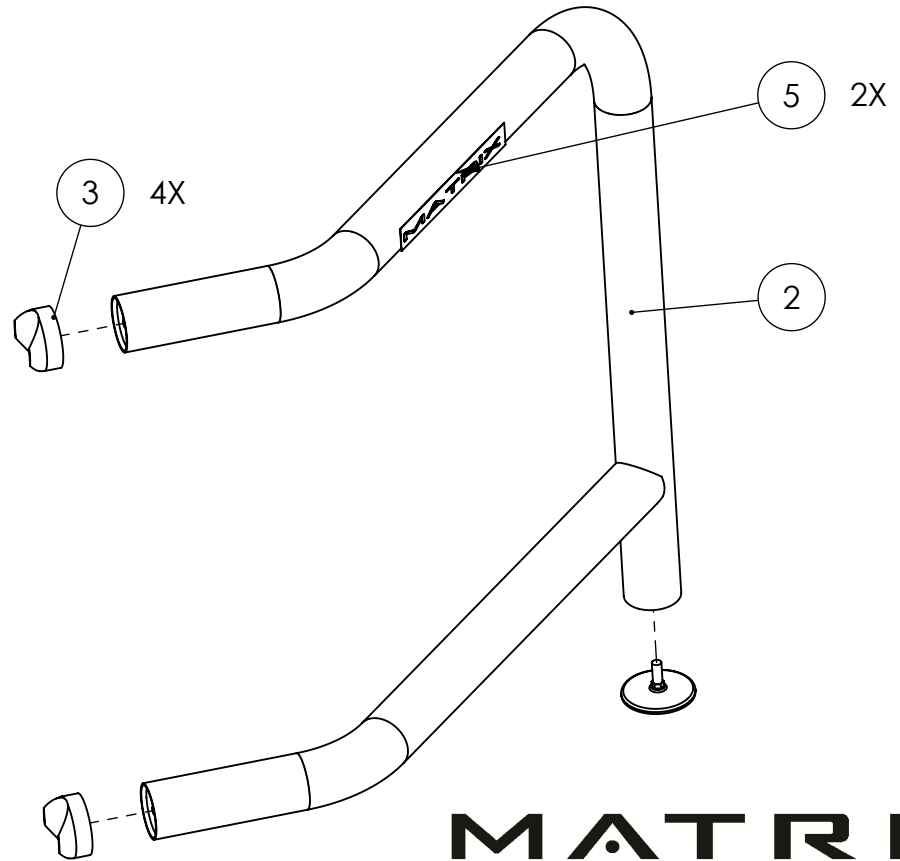
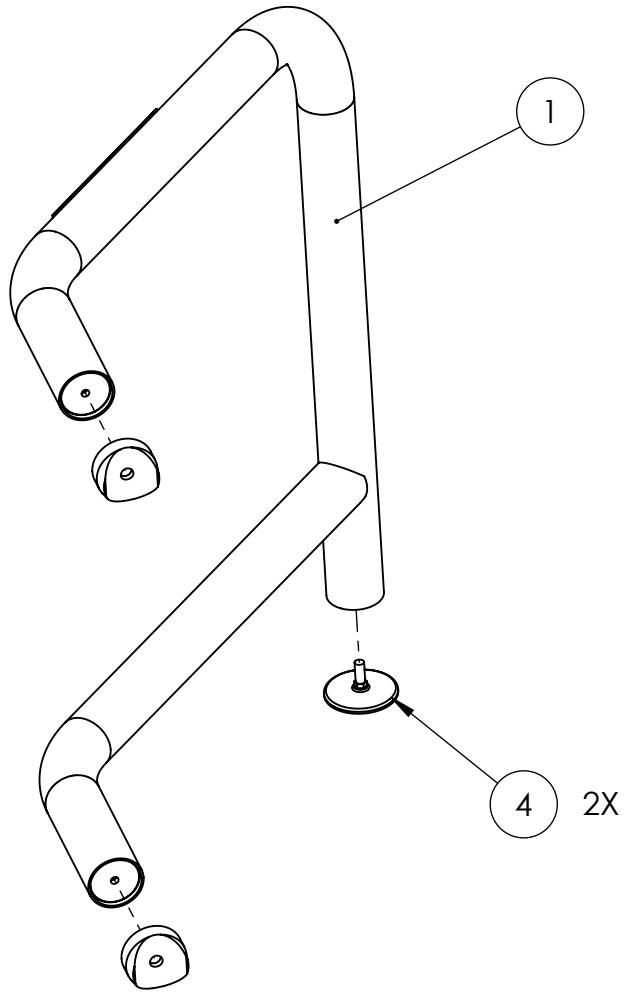
**MATRIX**

DWG NO.		
161-147 SERVICE		
DESCRIPTION: DOUBLE PULLEY;BOOK;FORMED (Strength)		
DRAWN BY:	LMB	DATE: 2016.MAR.25
UPDATED BY:	--	DATE: --



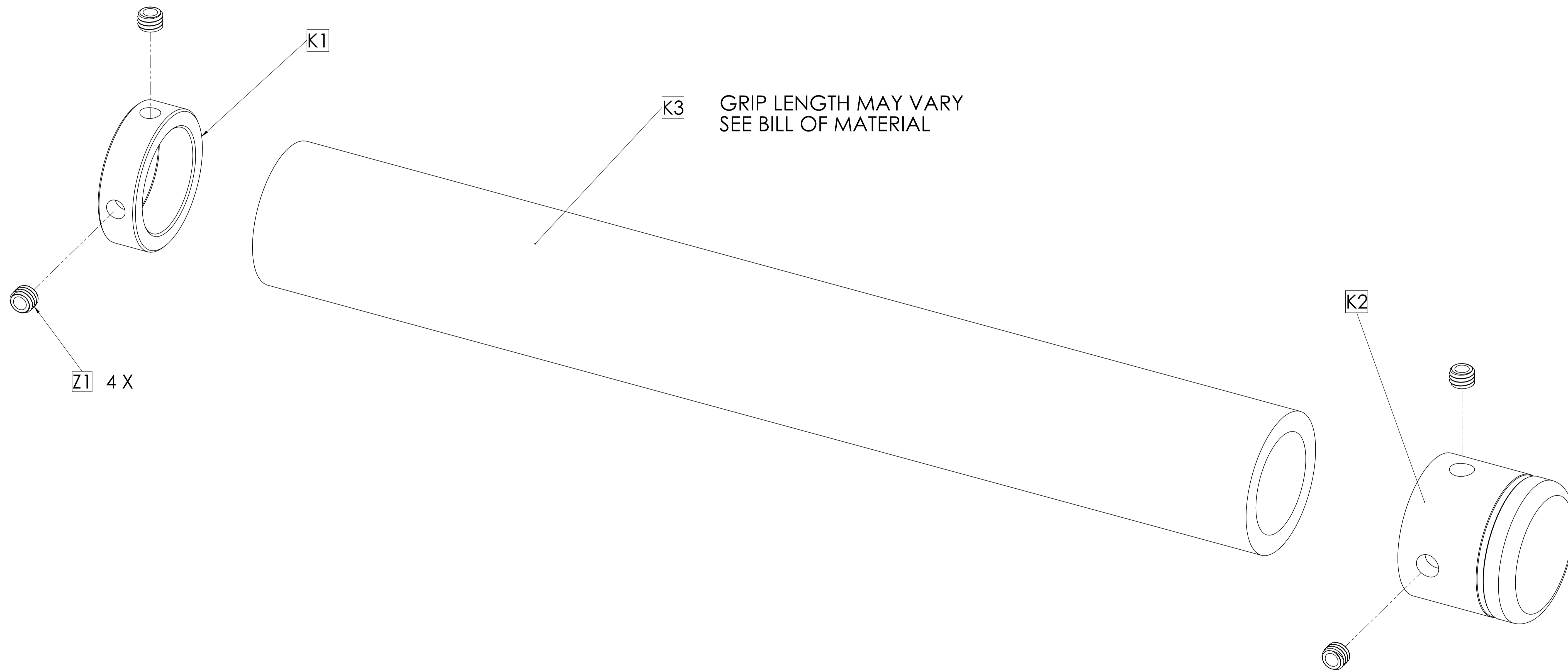
**MATRIX**

DWG NO.		161-038 SERVICE	
DESCRIPTION: PULLEY TOP ASSY;2X WEIGHT STACK (Strength)			
DRAWN BY:	LMB	DATE:	2016.SEP.15
UPDATED BY:	LG	DATE:	2020.APR.16



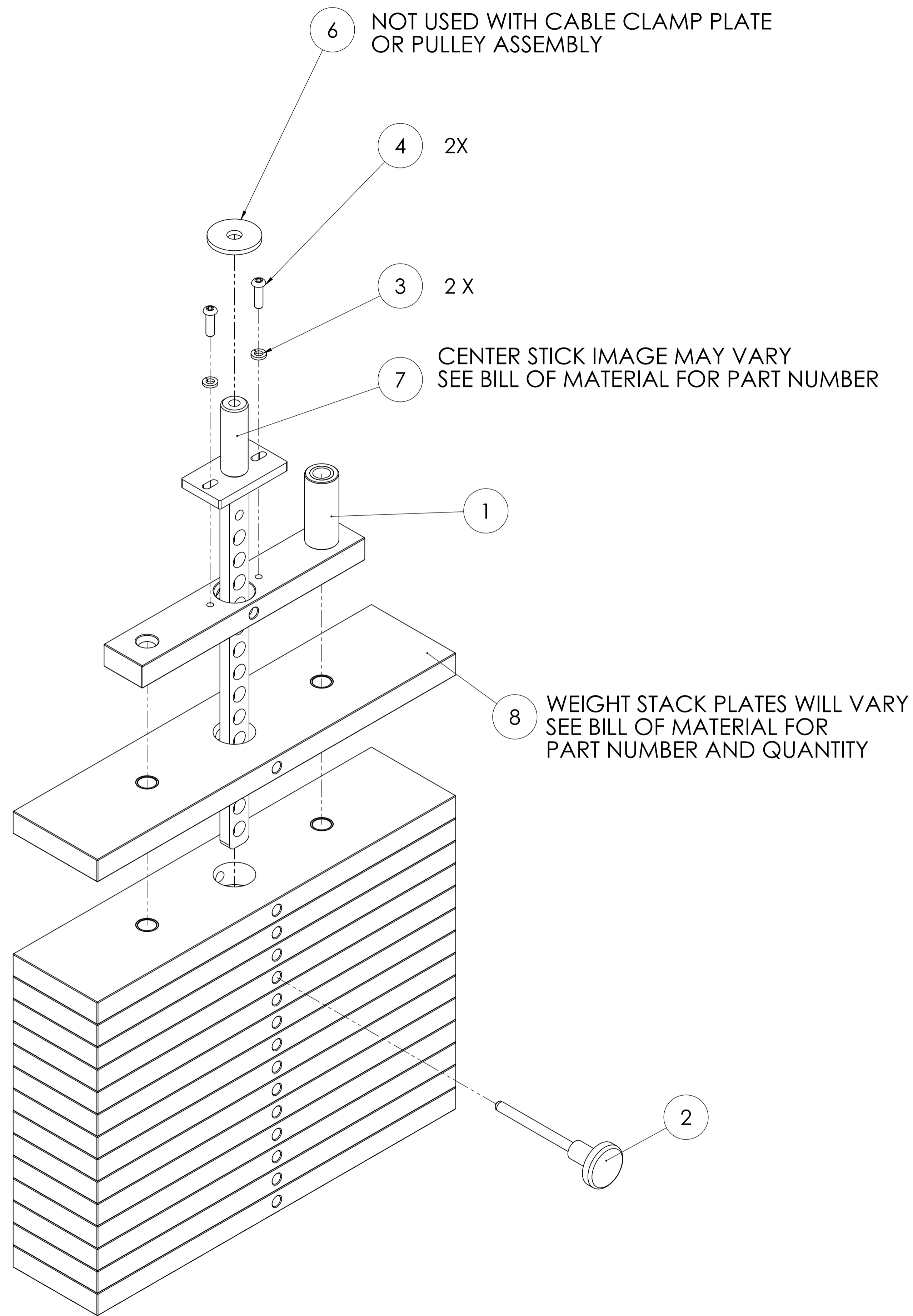
# MATRIX

DWG. NO.		160-122 SERVICE	
DESCRIPTION: 900 TOWER SERIES FREE STANDING (SIDES)			
DRAWN:	LMB	DATE	2013.AUG.06
UPDATED:	LG	DATE	2020.APR.20



**MATRIX**

DWG NO: 160-056,160-057,160-058,160-059		
SERVICE		
DESCRIPTION: HAND GRIP (RUBBER GRIP TUBE)		
DRAWN BY:	LMB	DATE: 2013.OCT.07
UPDATED BY:	LMB	DATE: 2015.JUN.05



**CENTER STICK WITH MOUNTING POST  
CABLE MOUNTED WITH TAKE UP BOLT OR PULLEY  
(SHOWN EXPLODED)  
SEE NOTES AND BOM FOR PART NUMBERS**

6 NOT USED WITH CABLE CLAMP PLATE OR PULLEY ASSEMBLY

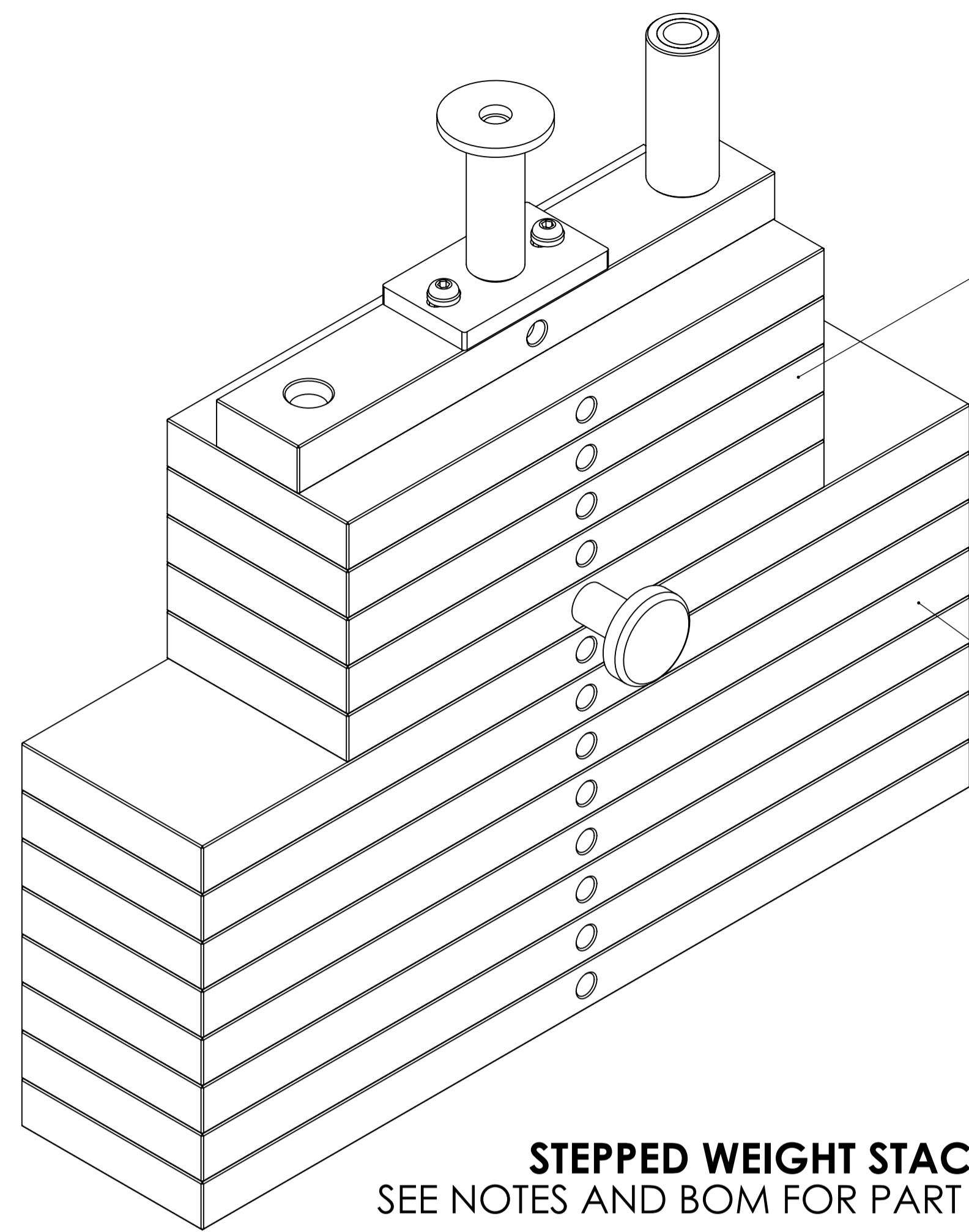
4 2X

3 2X

7 CENTER STICK IMAGE MAY VARY SEE BILL OF MATERIAL FOR PART NUMBER

8 WEIGHT STACK PLATES WILL VARY SEE BILL OF MATERIAL FOR PART NUMBER AND QUANTITY

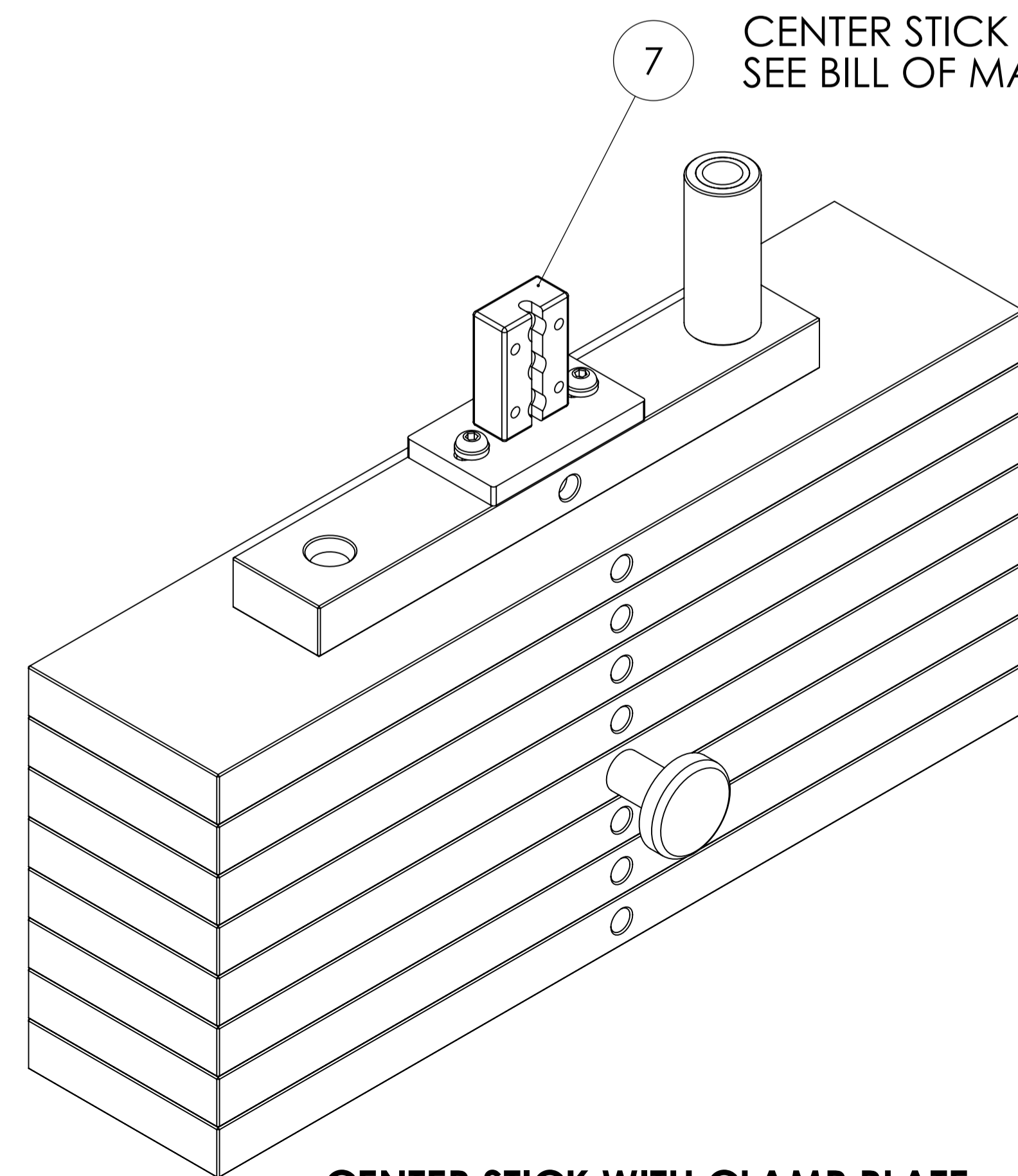
2



**STEPPED WEIGHT STACK  
SEE NOTES AND BOM FOR PART NUMBERS**

9 WEIGHT STACK PLATES WILL VARY SEE BILL OF MATERIAL FOR PART NUMBER AND QUANTITY

8 WEIGHT STACK PLATES WILL VARY SEE BILL OF MATERIAL FOR PART NUMBER AND QUANTITY



**CENTER STICK WITH CLAMP PLATE  
SEE NOTES AND BOM FOR PART NUMBERS**

7 CENTER STICK W/CLAMP PLATE SEE BILL OF MATERIAL FOR PART NUMBER

**MATRIX**

DWG NO.		_WEIGHT STACK SERVICE	
DESCRIPTION: WEIGHT STACK/CENTERSTICK ASSY (Take Up Bolt, Pulley & Clamp Style)			
DRAWN BY:	LMB	DATE:	2013.OCT.10
UPDATED BY:	LMB	DATE:	2017.DEC.29