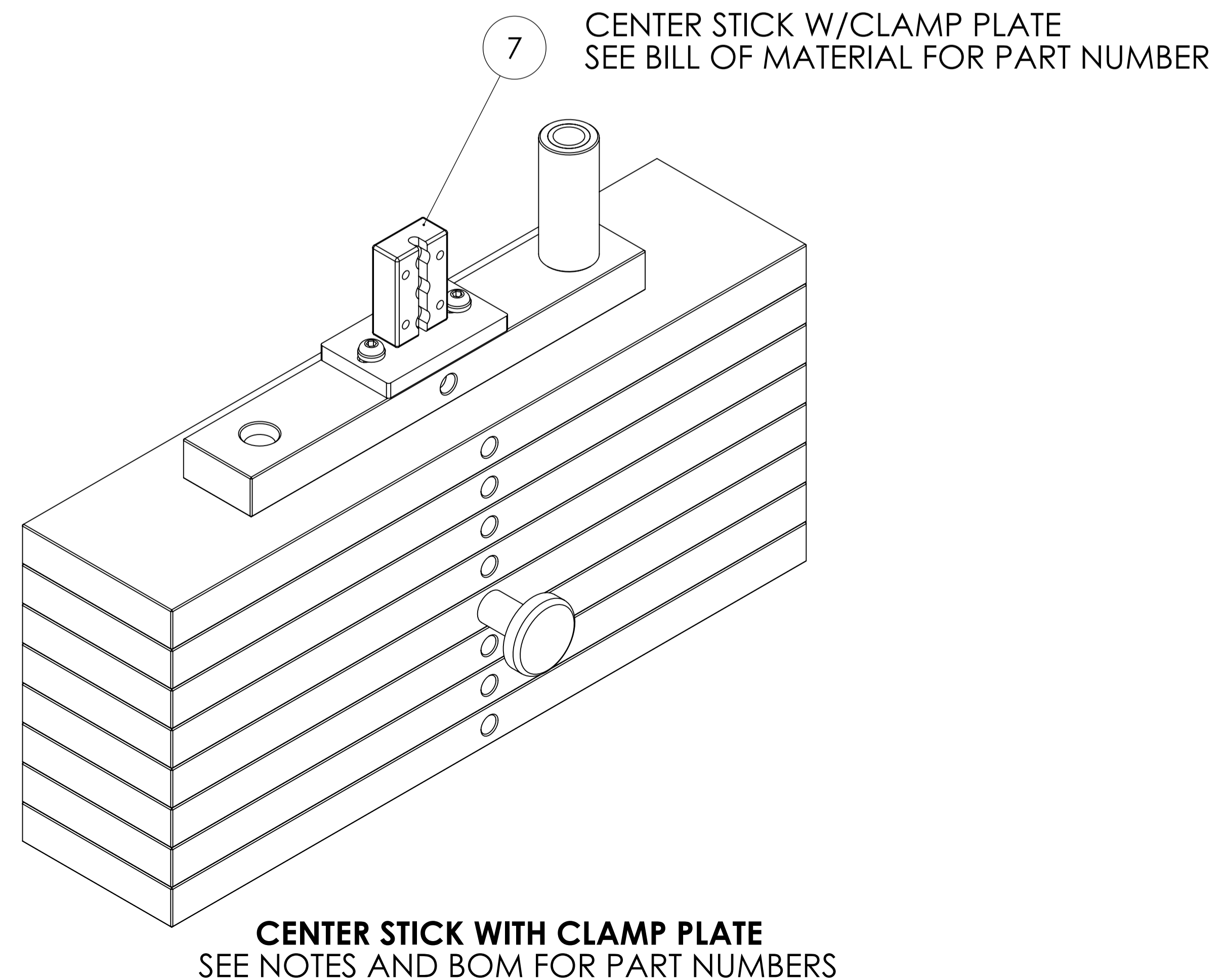
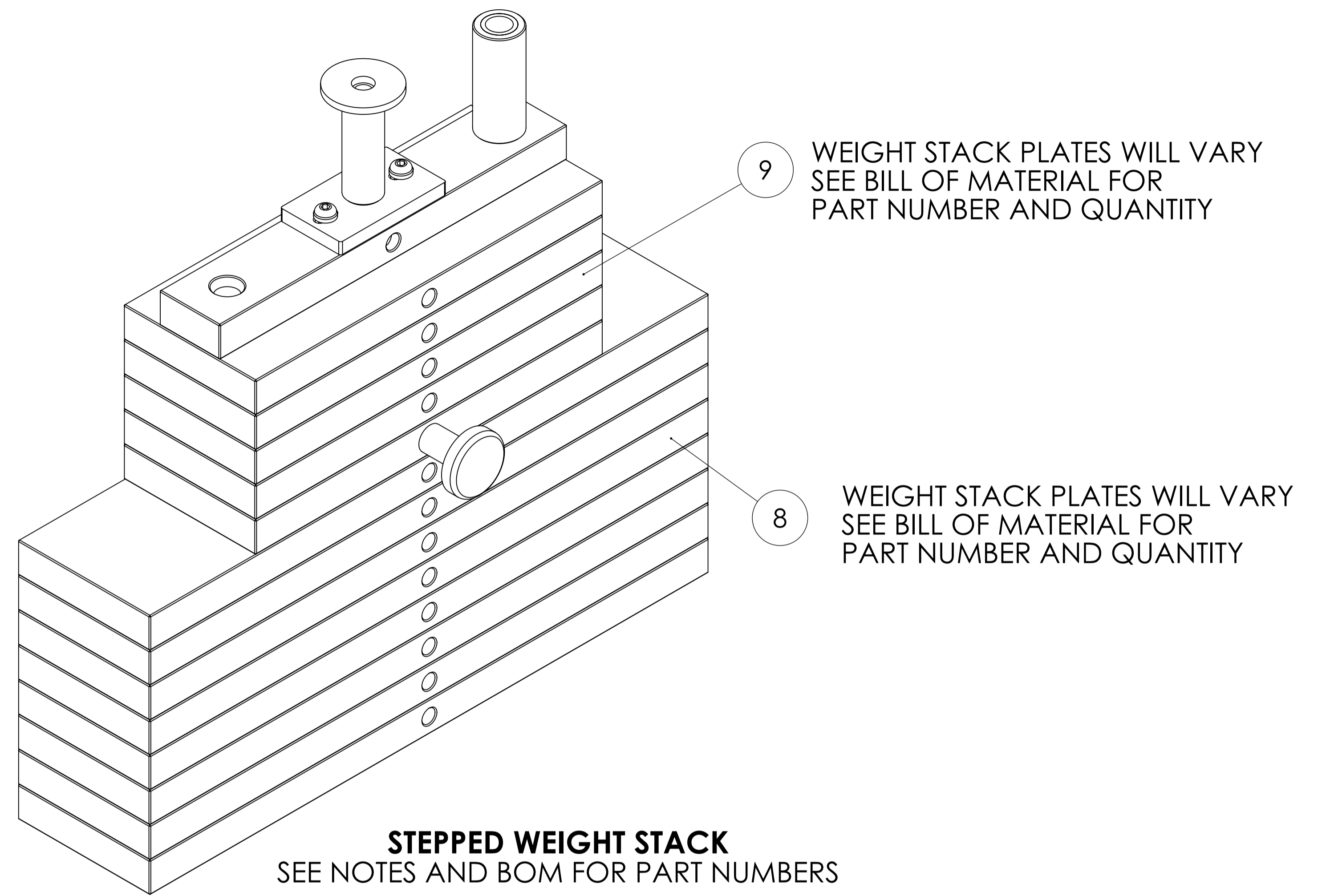
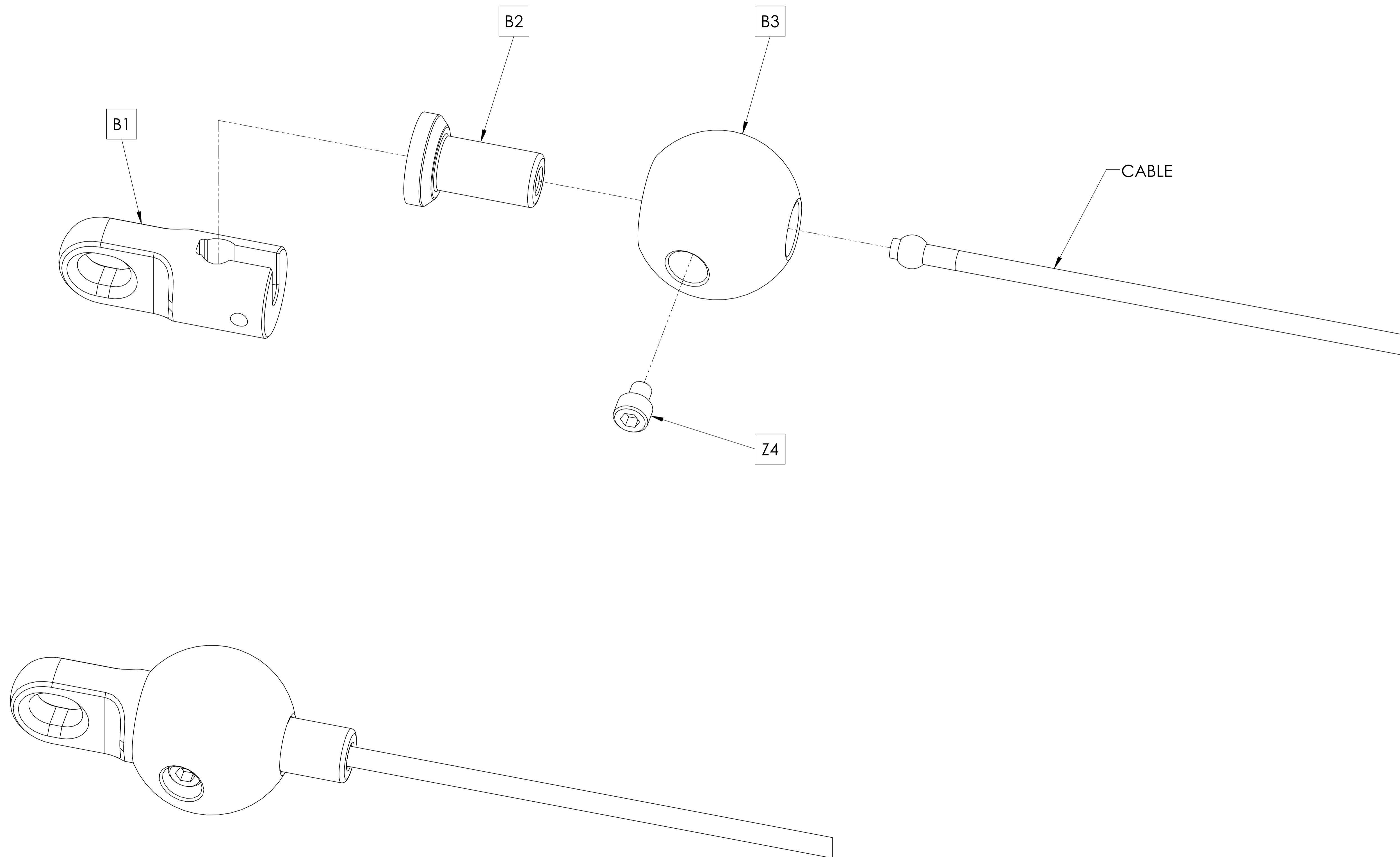


**CENTER STICK WITH MOUNTING POST
CABLE MOUNTED WITH TAKE UP BOLT OR PULLEY
(SHOWN EXPLODED)
SEE NOTES AND BOM FOR PART NUMBERS**



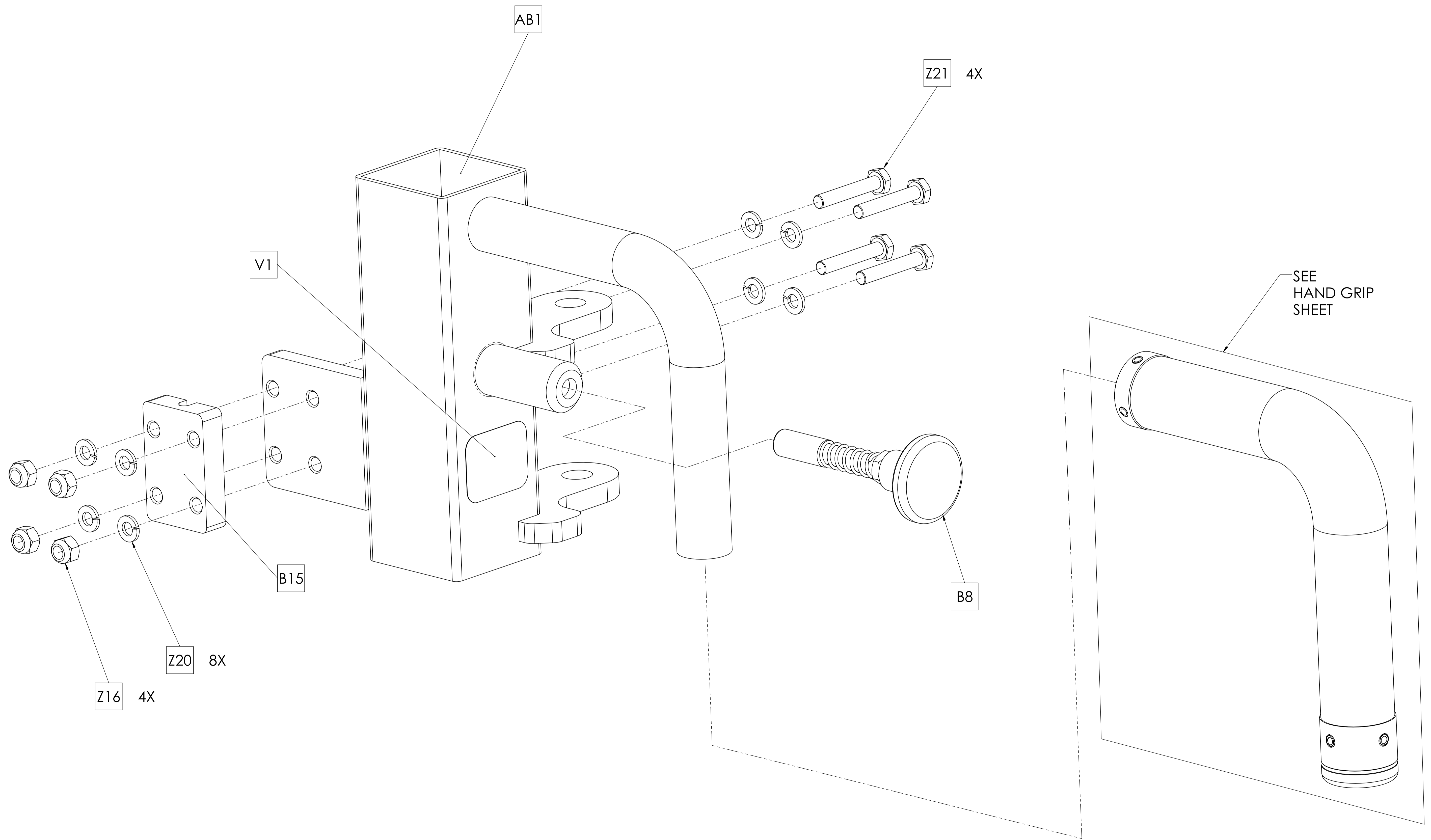
MATRIX

DWG NO.		
_WEIGHT STACK SERVICE		
DESCRIPTION: WEIGHT STACK/CENTERSTICK ASSY (Take Up Bolt, Pulley & Clamp Style)		
DRAWN BY:	LMB	DATE: 2013.OCT.10
UPDATED BY:	LMB	DATE: 2017.DEC.29



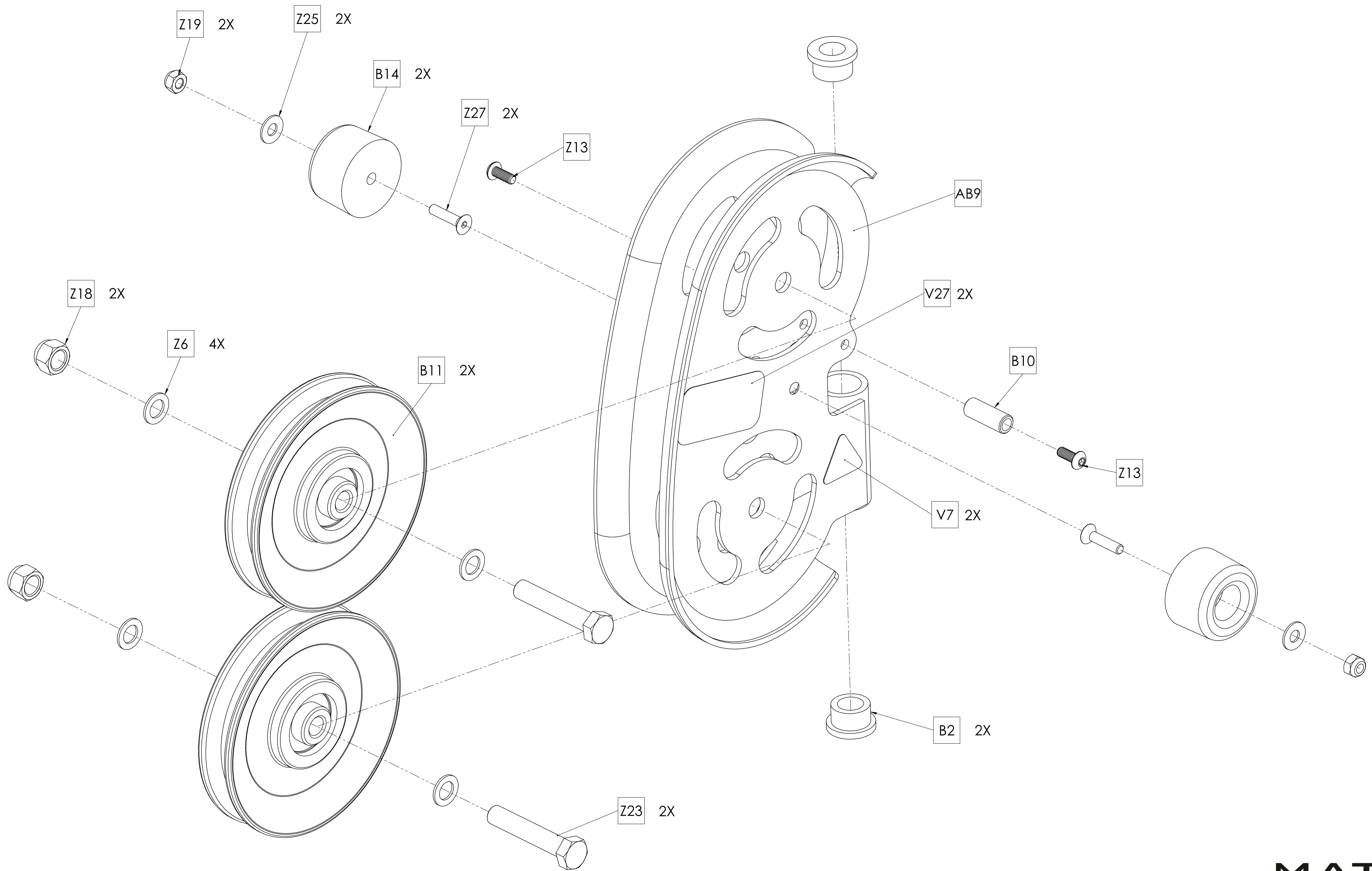
MATRIX

DWG NO.	161-442 SERVICE		
DESCRIPTION:	CABLE END BALL ASSEMBLY		
DRAWN BY:	LG	DATE:	2019.SEP.18
UPDATED BY:	LG	DATE:	2020.APR.17



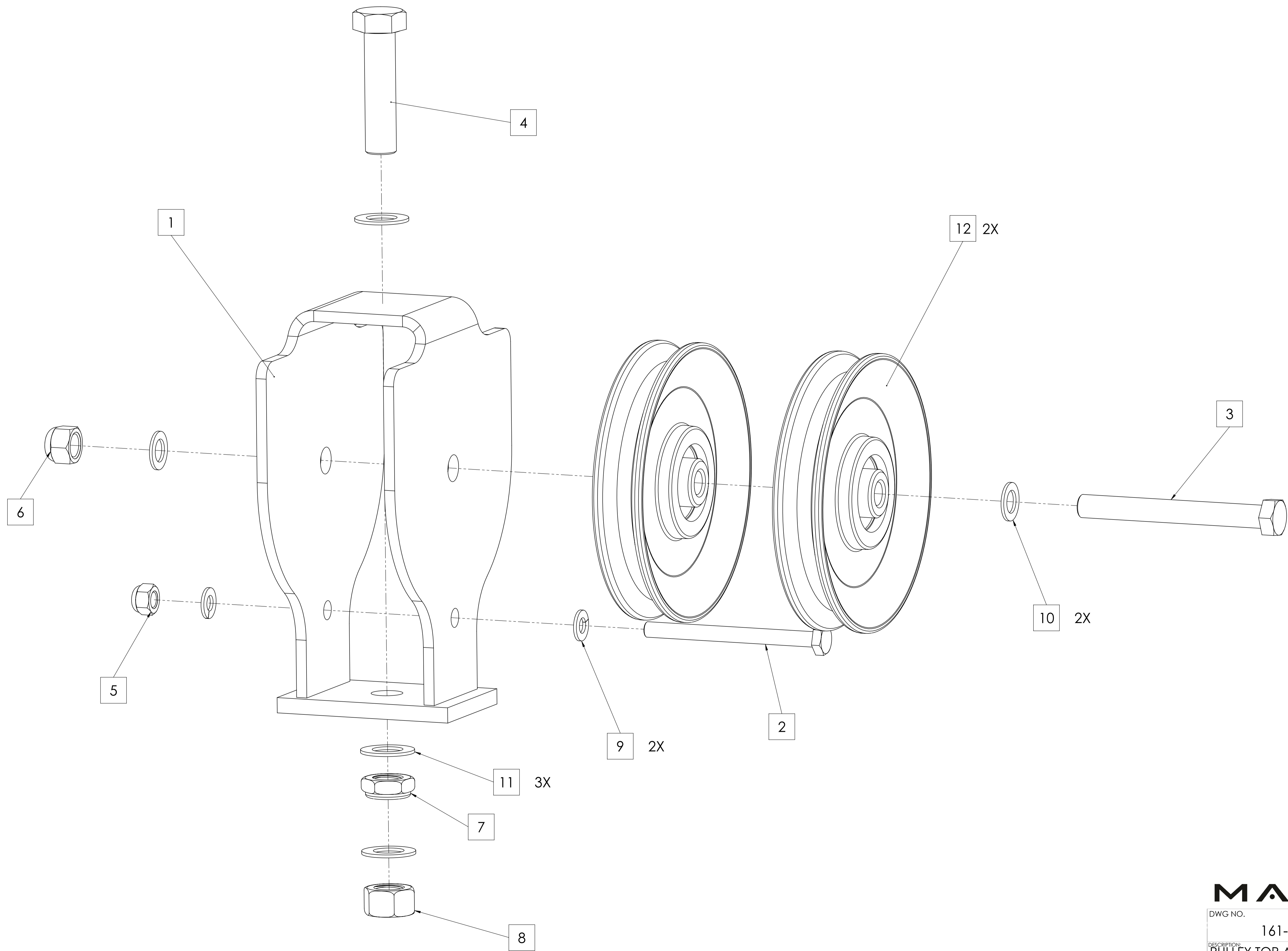
MATRIX

DWG NO.		
161-148 SERVICE		
DESCRIPTION: SLIDE ASSEMBLY; FORMED BOOK (Strength)		
DRAWN BY:	LMB	DATE: 2016.JUL.26
UPDATED BY:	LG	DATE: 2020.APR.17



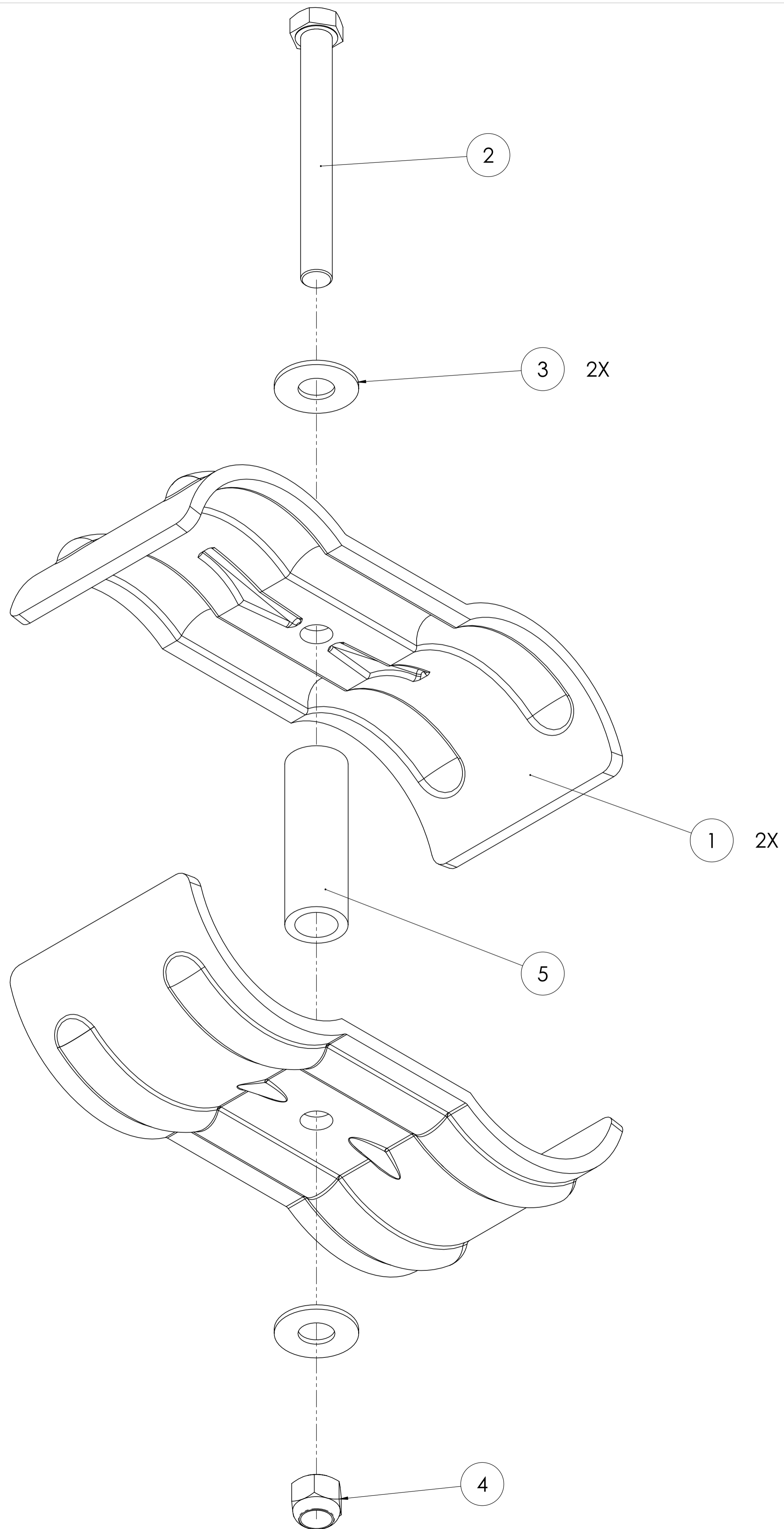
MATRIX

DWG NO.		
161-147 SERVICE		
DESCRIPTION: DOUBLE PULLEY;BOOK;FORMED (Strength)		
DRAWN BY:	LMB	DATE: 2016.MAR.25
UPDATED BY:	--	DATE: --



MATRIX

DWG NO.			161-038 SERVICE		
DESCRIPTION: PULLEY TOP ASSY;2X WEIGHT STACK (Strength)					
DRAWN BY:	LMB	DATE:	2016.SEP.15		
UPDATED BY:	LG	DATE:	2020.APR.16		



MATRIX

DWG NO.

160-257 SERVICE

DESCRIPTION:

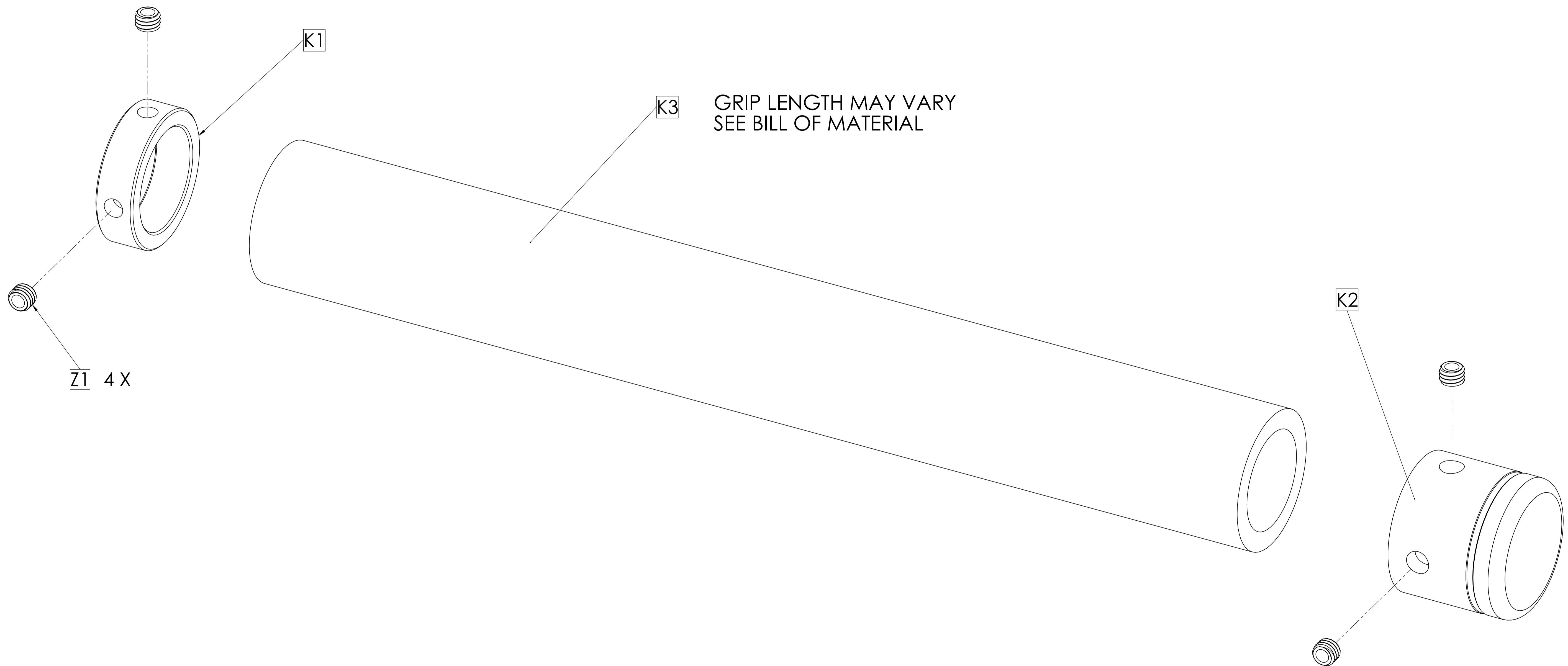
900 SERIES TOWER CLAMP (SINGLE)
(Strength - Multi Station)

DRAWN BY: LMB

DATE: 2016.JAN.14

UPDATED BY: LMB

DATE: 2016.DEC.14



MATRIX

DWG NO:		160-056,160-057,160-058,160-059	
DESCRIPTION:		SERVICE	
		HAND GRIP	
		(RUBBER GRIP TUBE)	
DRAWN BY:	LMB	DATE:	2013.OCT.07
UPDATED BY:	LMB	DATE:	2015.JUN.05