

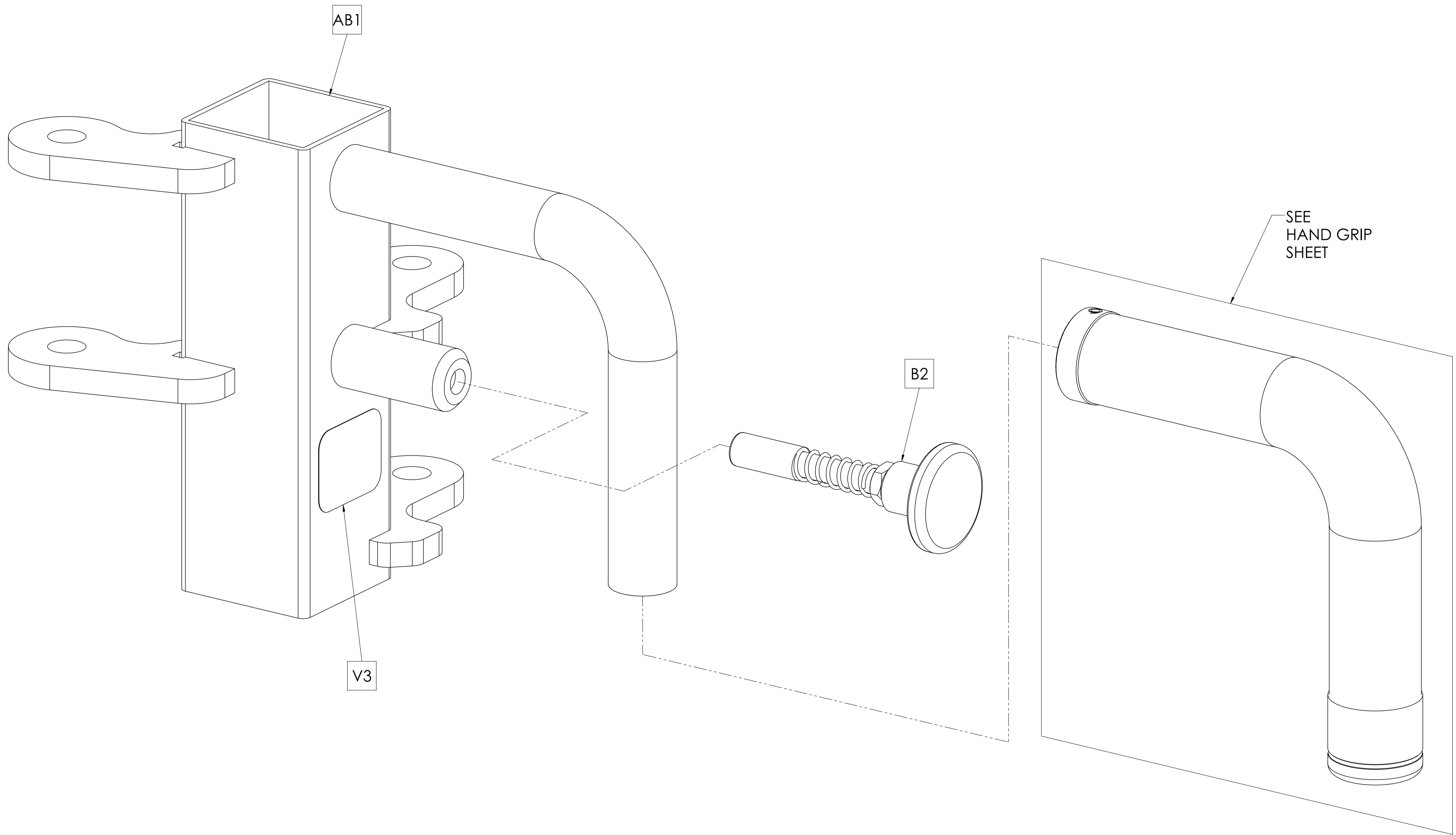
MATRIX

DWG NO. 161-442 SERVICE

DESCRIPTION: CABLE END BALL ASSEMBLY

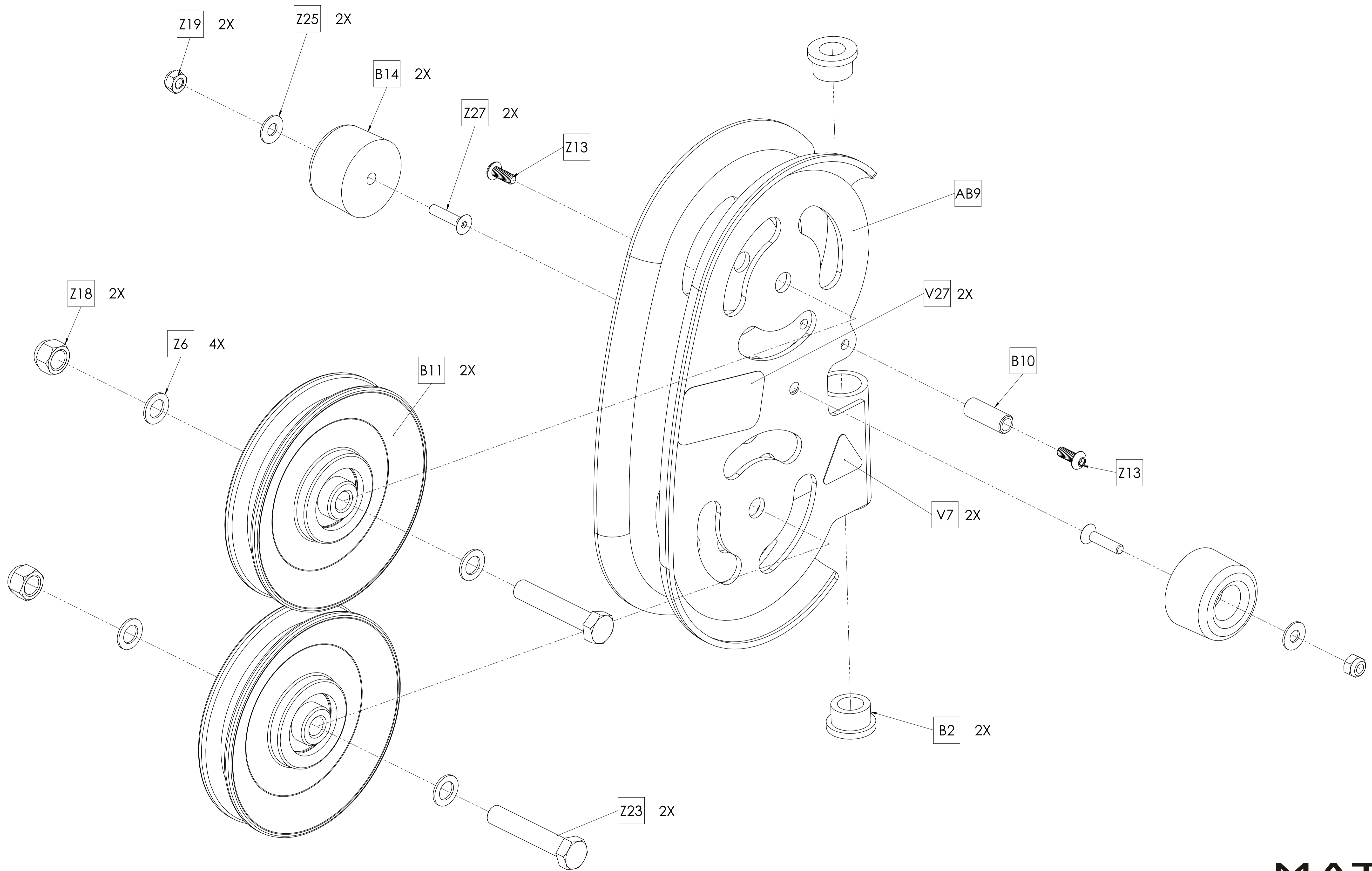
DRAWN BY: LG DATE: 2019.SEP.18

UPDATED BY: LG DATE: 2020.APR.17



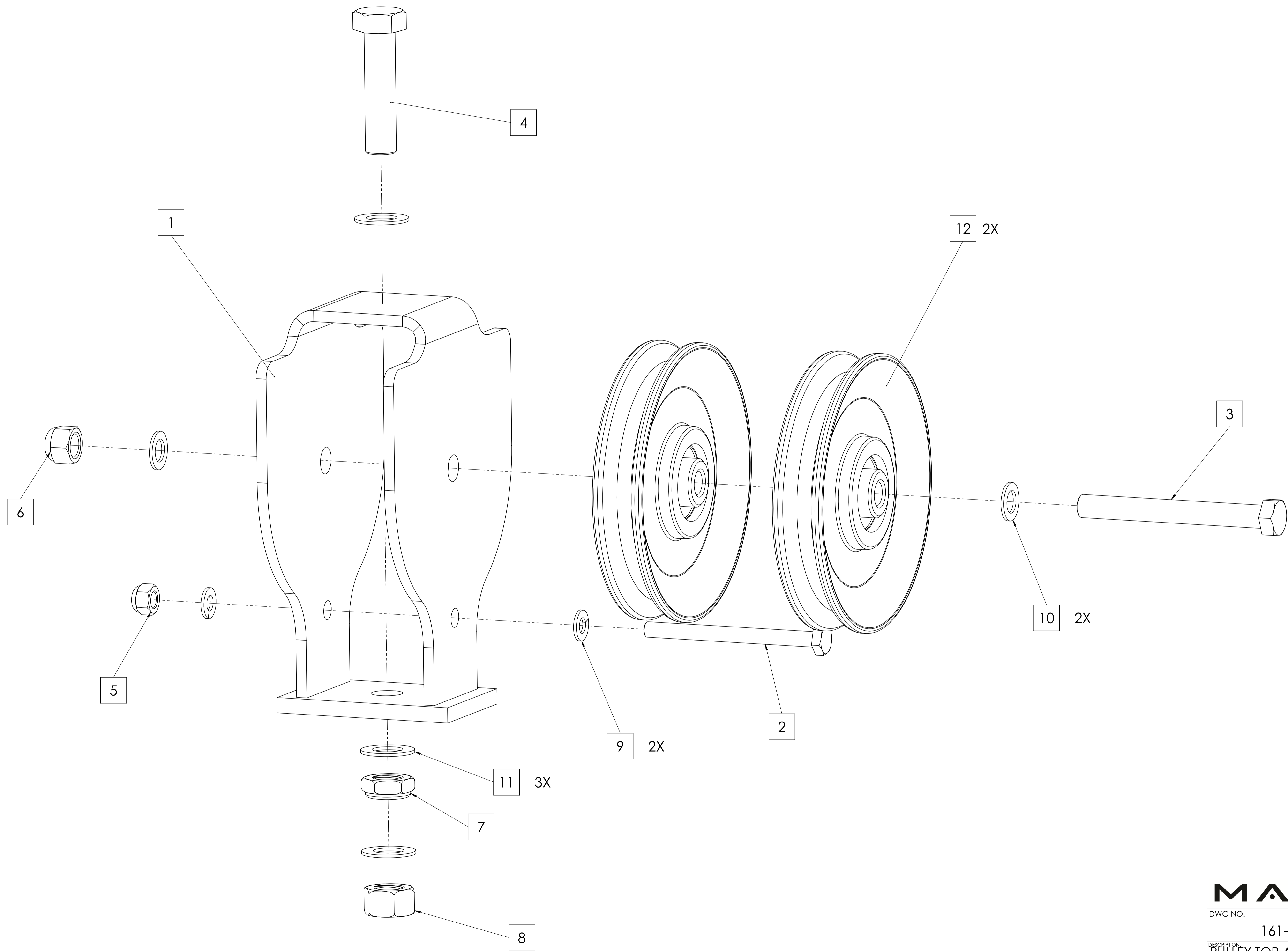
MATRIX

DWG NO.		161-338 SERVICE	
DESCRIPTION:		DP SLIDE ASSEMBLY (Strength)	
DRAWN BY:	LG	DATE:	2020.APR.21
UPDATED BY:		DATE:	



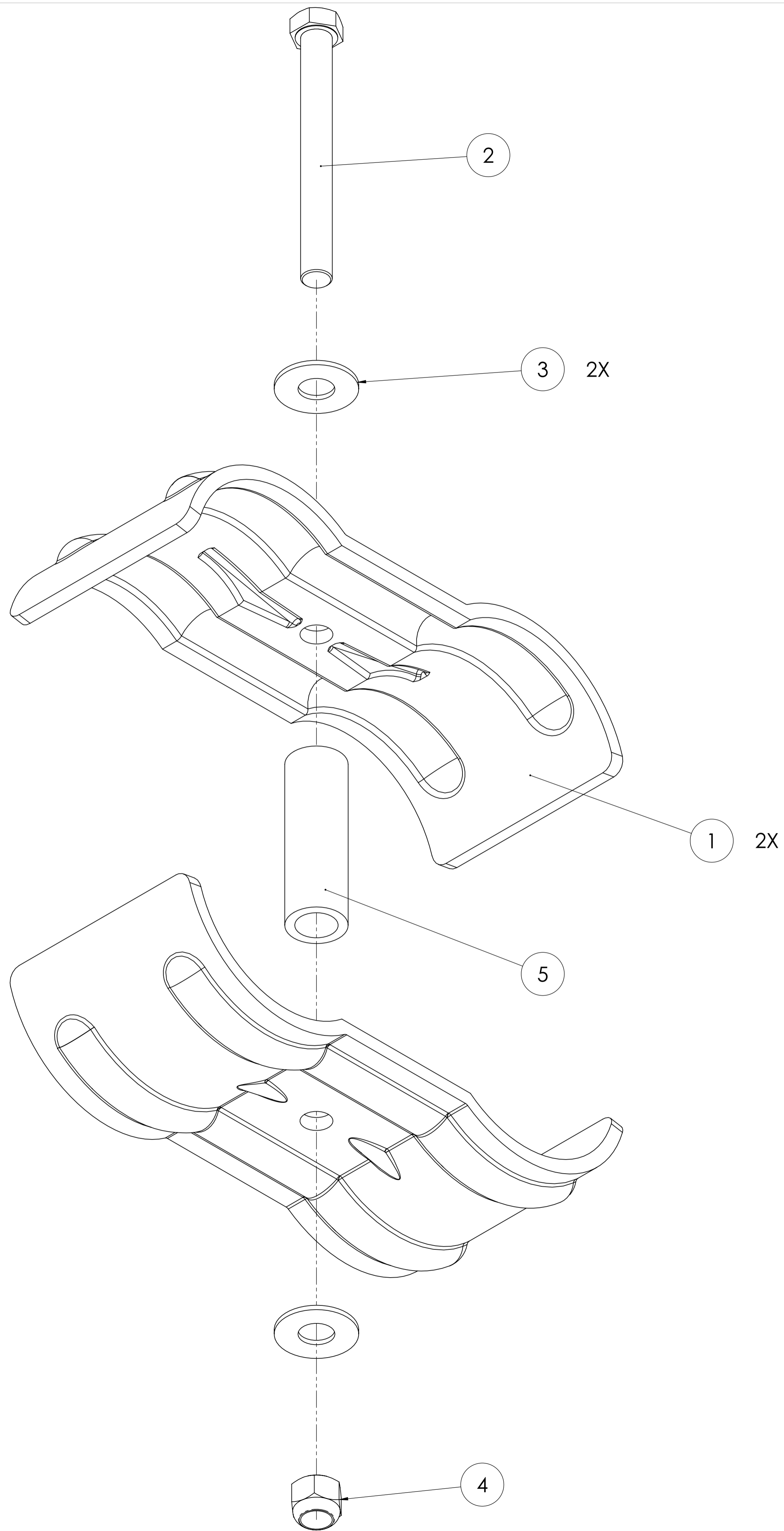
MATRIX

DWG NO.		
161-147 SERVICE		
DESCRIPTION: DOUBLE PULLEY;BOOK;FORMED (Strength)		
DRAWN BY:	LMB	DATE: 2016.MAR.25
UPDATED BY:	--	DATE: --



MATRIX

DWG NO. 161-038 SERVICE		
DESCRIPTION: PULLEY TOP ASSY; 2X WEIGHT STACK (Strength)		
DRAWN BY: LMB	DATE: 2016.SEP.15	
UPDATED BY: LG	DATE: 2020.APR.16	



MATRIX

DWG NO.

160-257 SERVICE

DESCRIPTION:

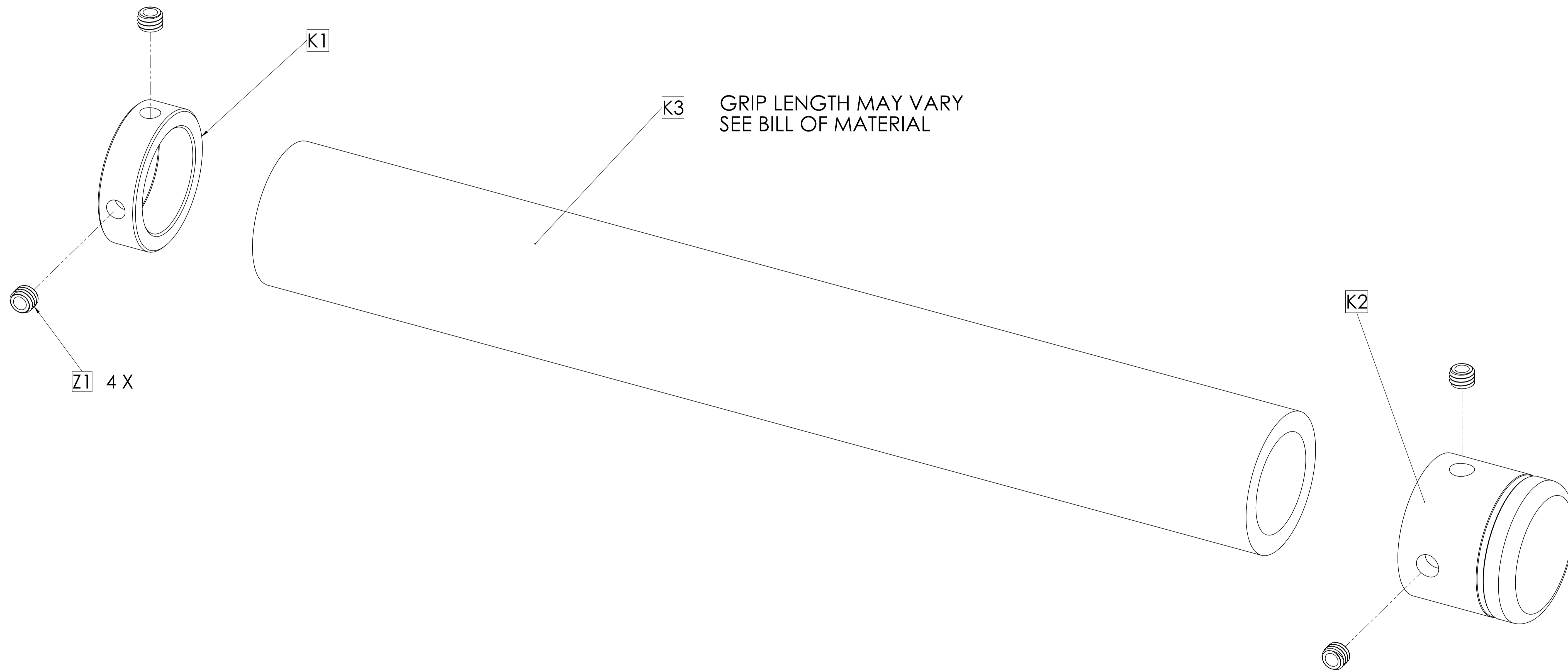
900 SERIES TOWER CLAMP (SINGLE)
(Strength - Multi Station)

DRAWN BY: LMB

DATE: 2016.JAN.14

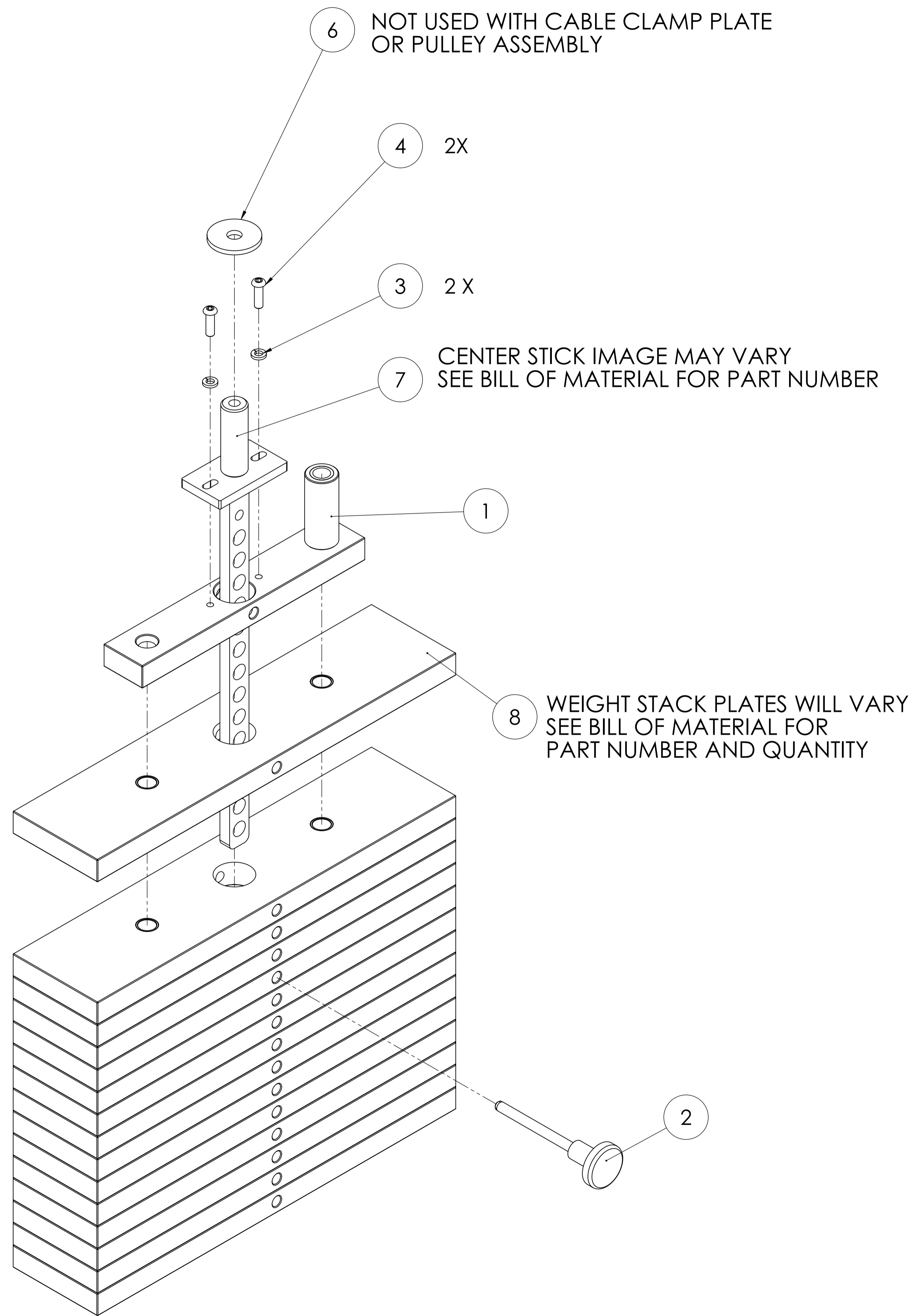
UPDATED BY: LMB

DATE: 2016.DEC.14

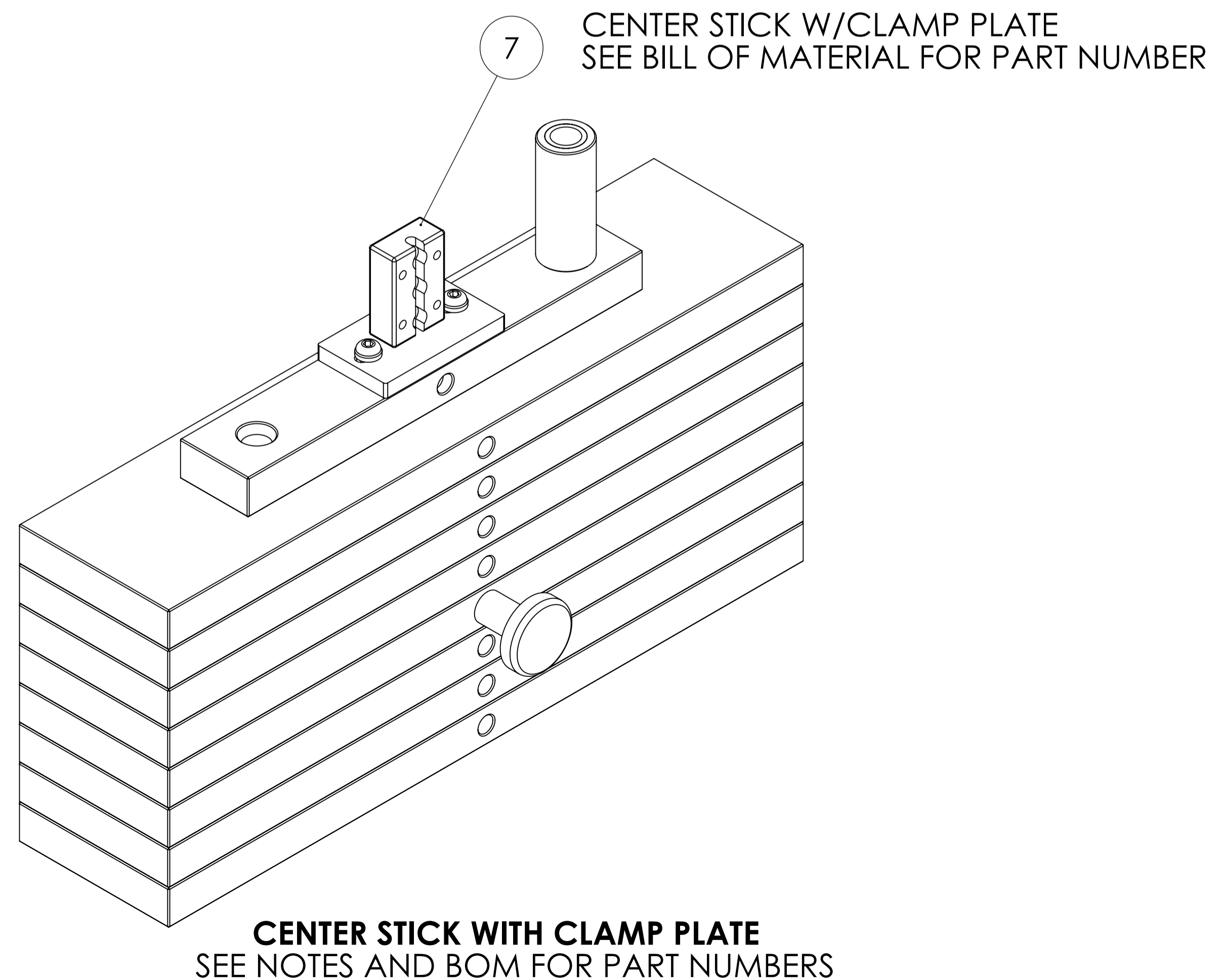
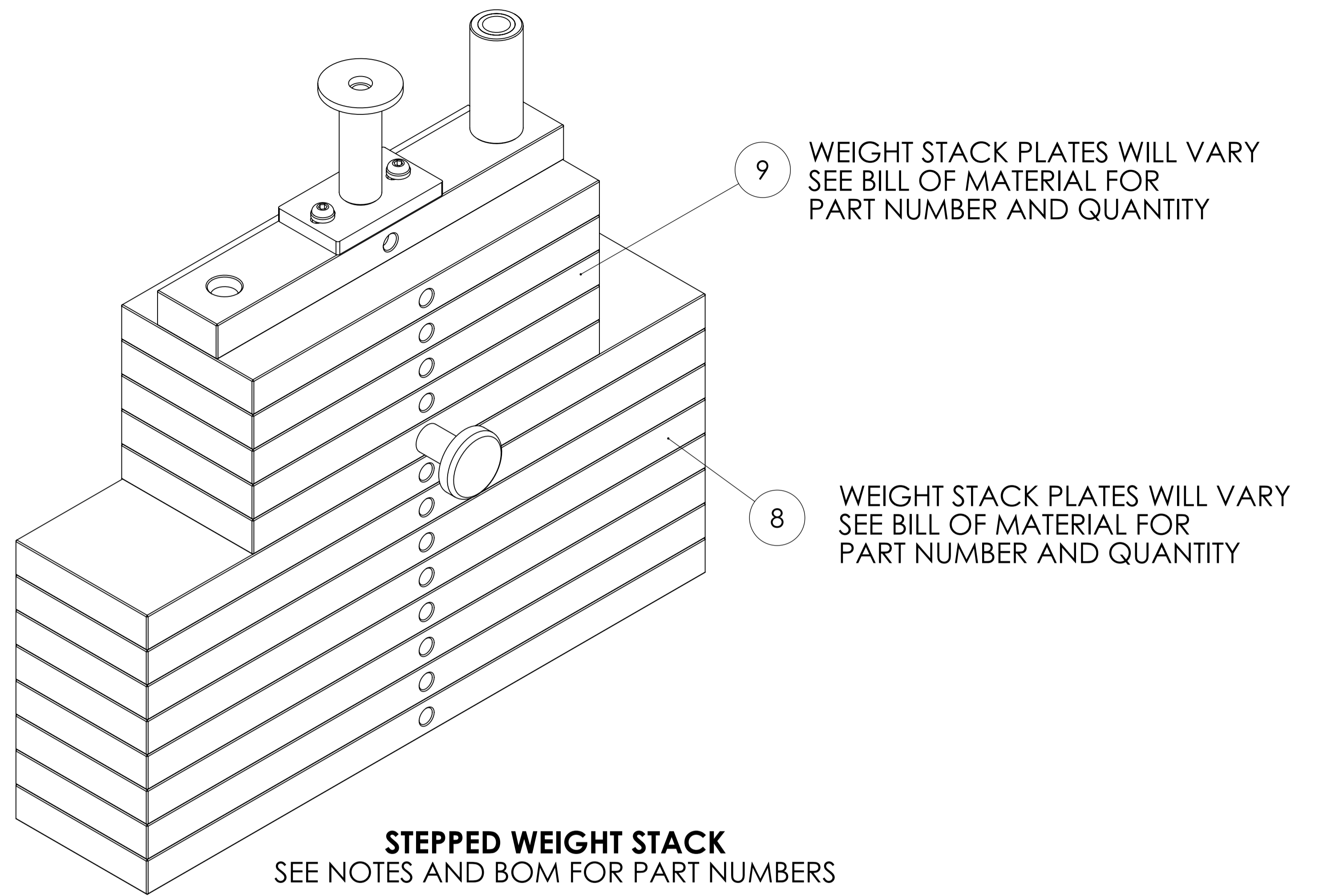


MATRIX

DWG NO:		160-056,160-057,160-058,160-059	
DESCRIPTION:		SERVICE	
		HAND GRIP	
		(RUBBER GRIP TUBE)	
DRAWN BY:	LMB	DATE:	2013.OCT.07
UPDATED BY:	LMB	DATE:	2015.JUN.05



**CENTER STICK WITH MOUNTING POST
CABLE MOUNTED WITH TAKE UP BOLT OR PULLEY
(SHOWN EXPLODED)
SEE NOTES AND BOM FOR PART NUMBERS**



MATRIX

DWG NO. _WEIGHT STACK SERVICE		
DESCRIPTION: WEIGHT STACK/CENTERSTICK ASSY (Take Up Bolt, Pulley & Clamp Style)		
DRAWN BY: LMB	DATE: 2013.OCT.10	
UPDATED BY: LMB	DATE: 2017.DEC.29	