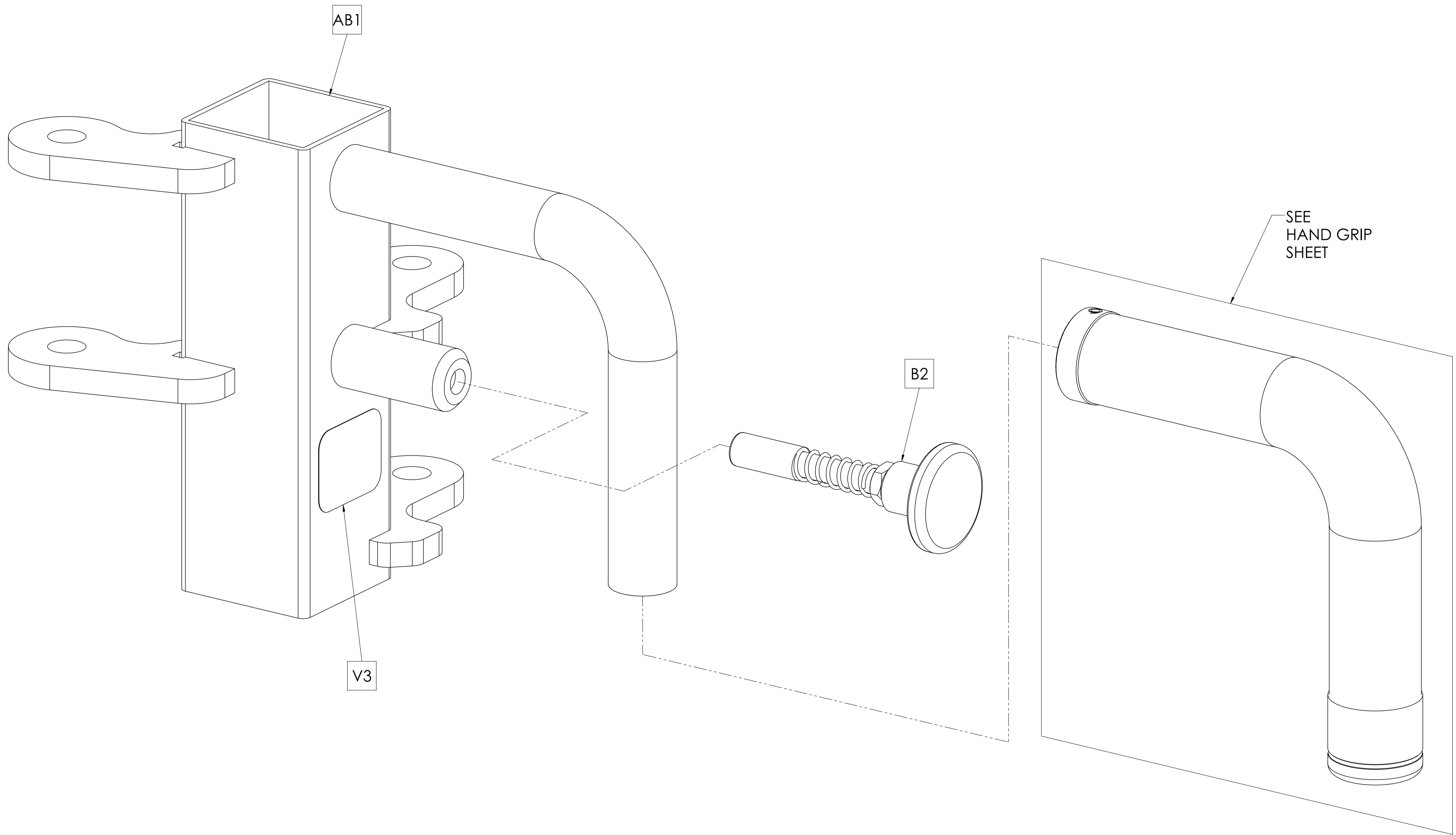


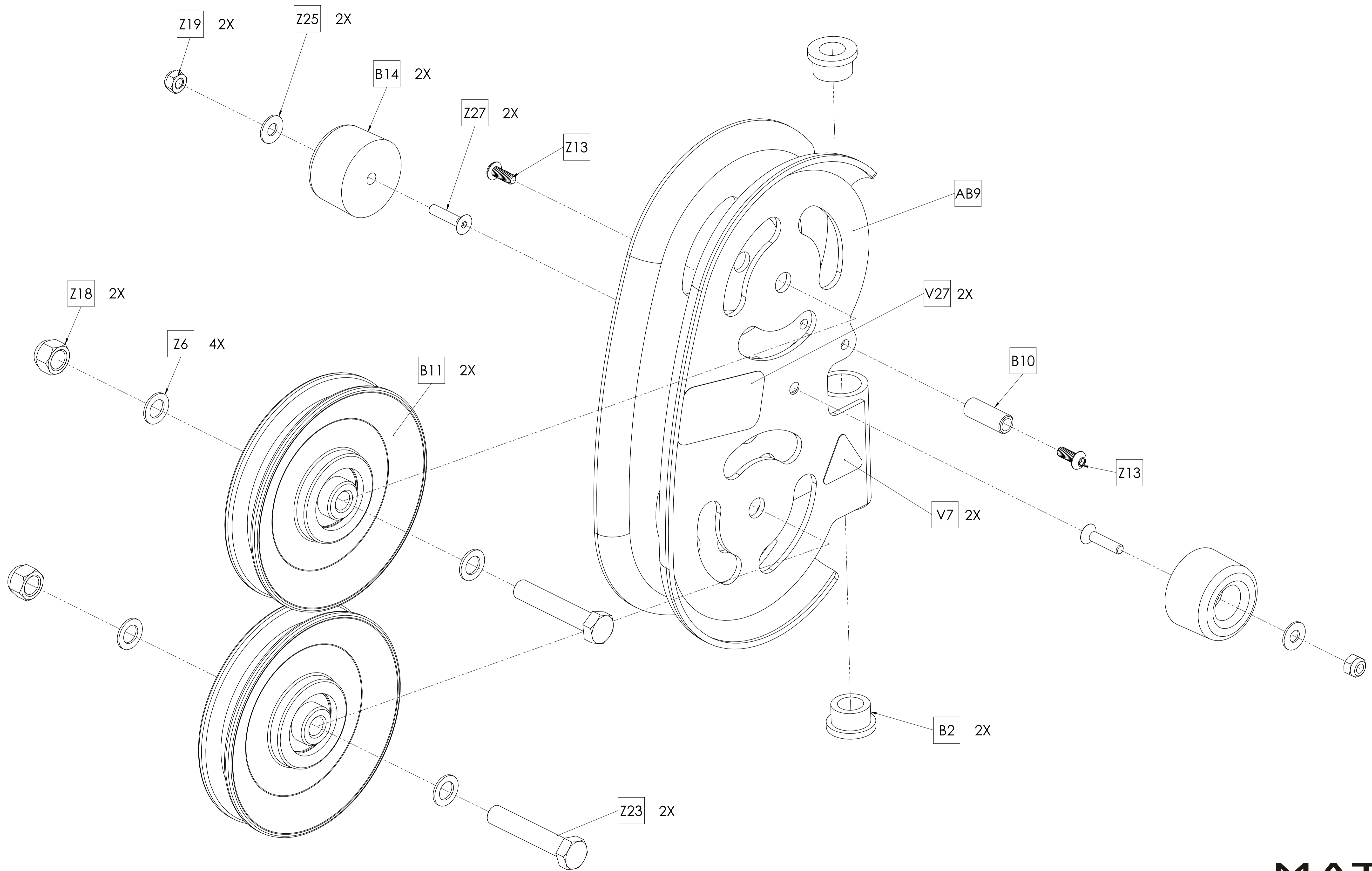
MATRIX

DWG NO.	161-442 SERVICE		
DESCRIPTION:	CABLE END BALL ASSEMBLY		
DRAWN BY:	LG	DATE:	2019.SEP.18
UPDATED BY:	LG	DATE:	2020.APR.17



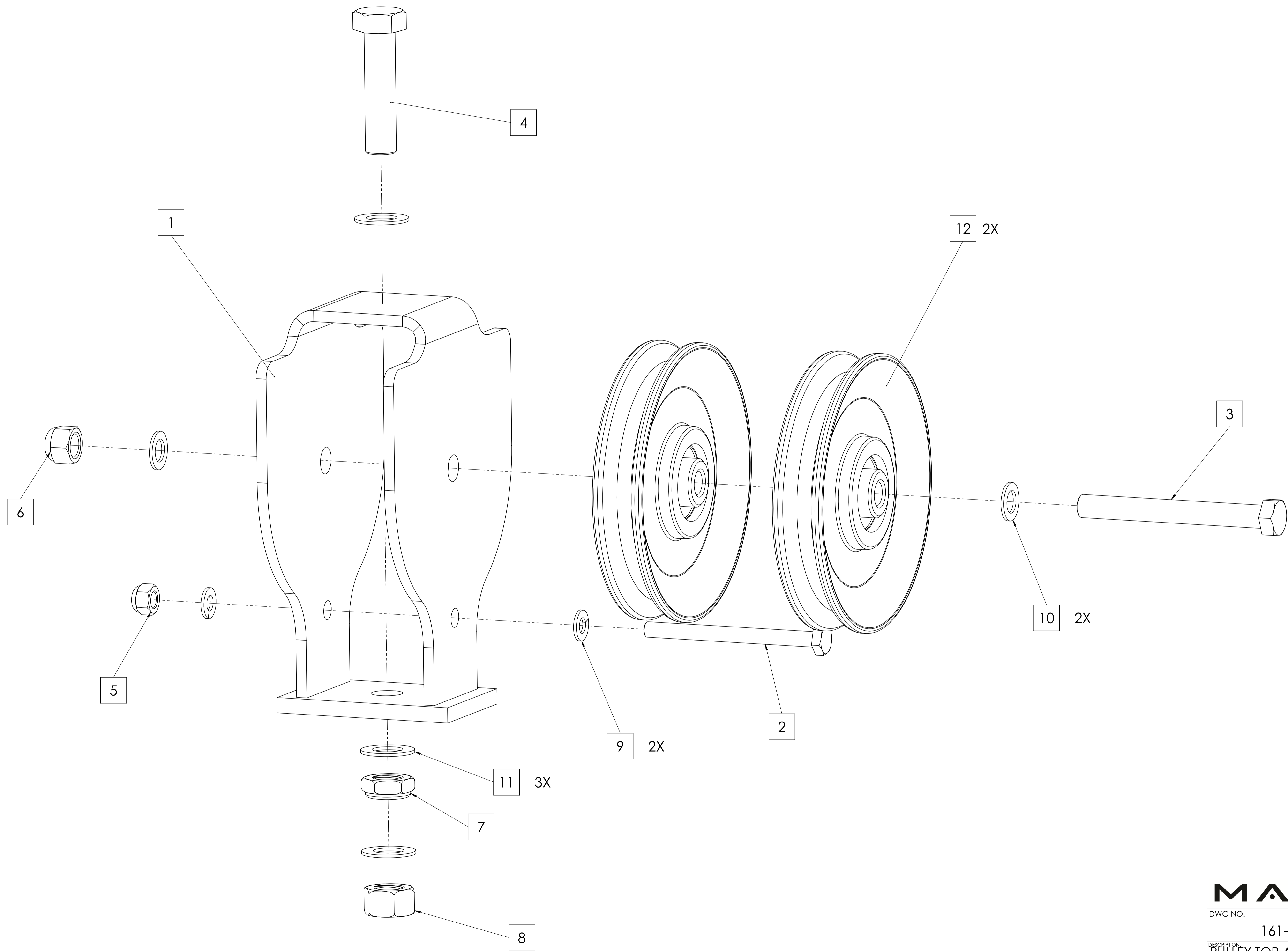
MATRIX

DWG NO.		161-338 SERVICE	
DESCRIPTION:		DP SLIDE ASSEMBLY (Strength)	
DRAWN BY:	LG	DATE:	2020.APR.21
UPDATED BY:		DATE:	



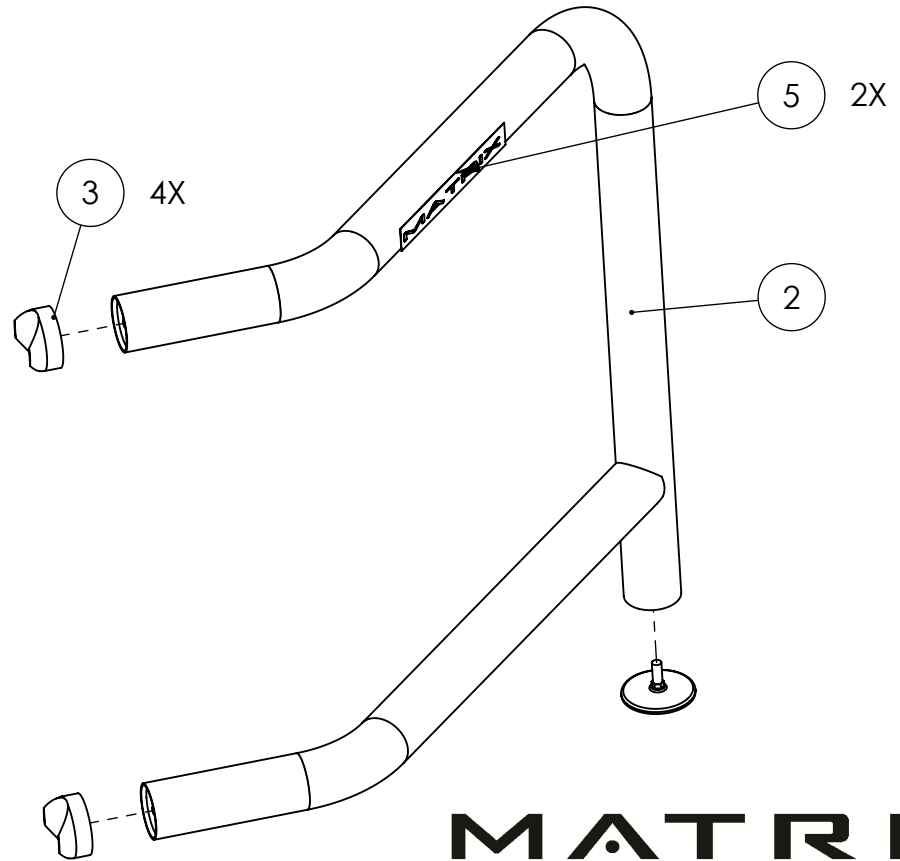
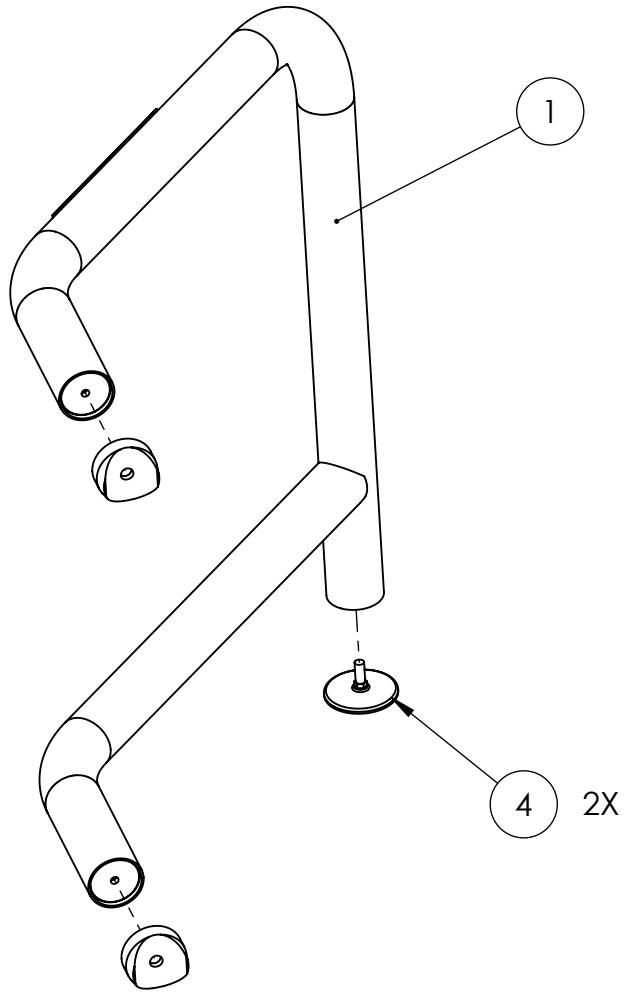
MATRIX

DWG NO.		
161-147 SERVICE		
DESCRIPTION: DOUBLE PULLEY;BOOK;FORMED (Strength)		
DRAWN BY:	LMB	DATE: 2016.MAR.25
UPDATED BY:	--	DATE: --



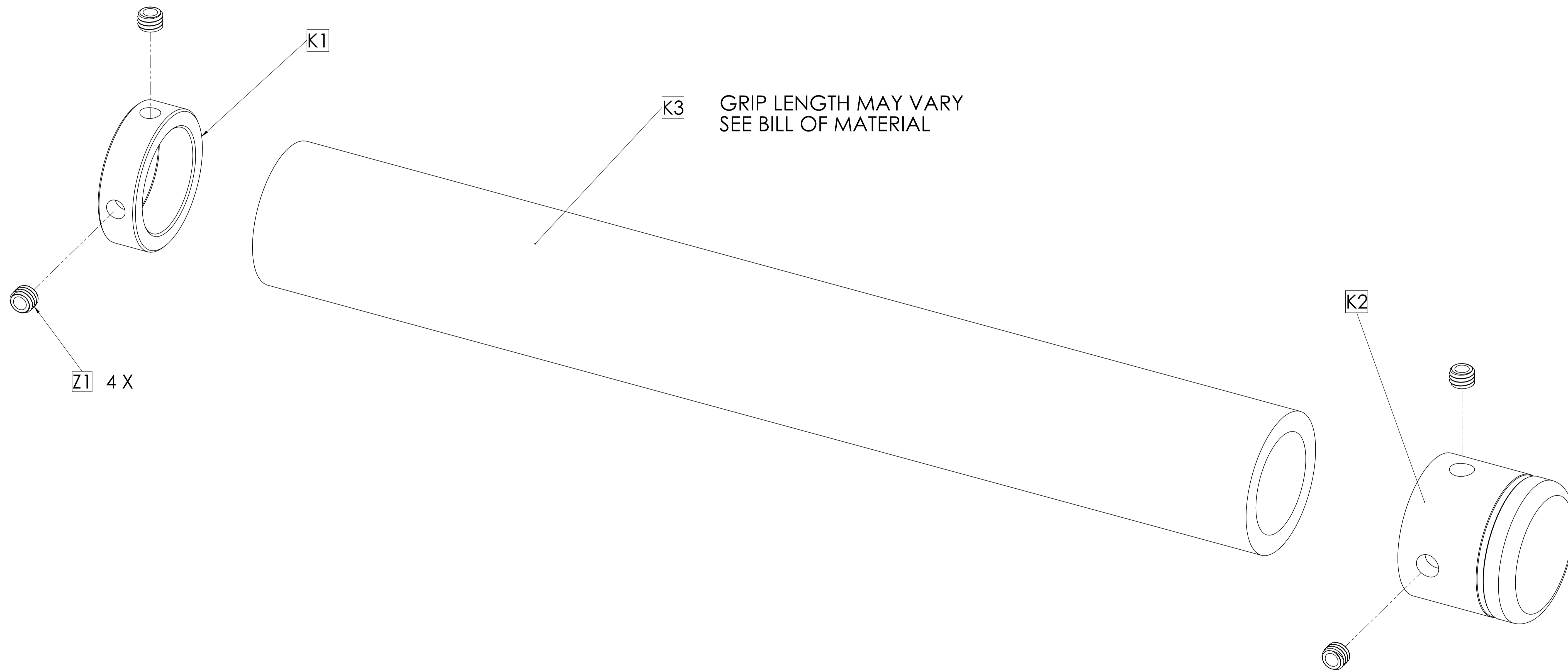
MATRIX

DWG NO.		
161-038 SERVICE		
DESCRIPTION: PULLEY TOP ASSY;2X WEIGHT STACK (Strength)		
DRAWN BY:	LMB	DATE: 2016.SEP.15
UPDATED BY:	LG	DATE: 2020.APR.16



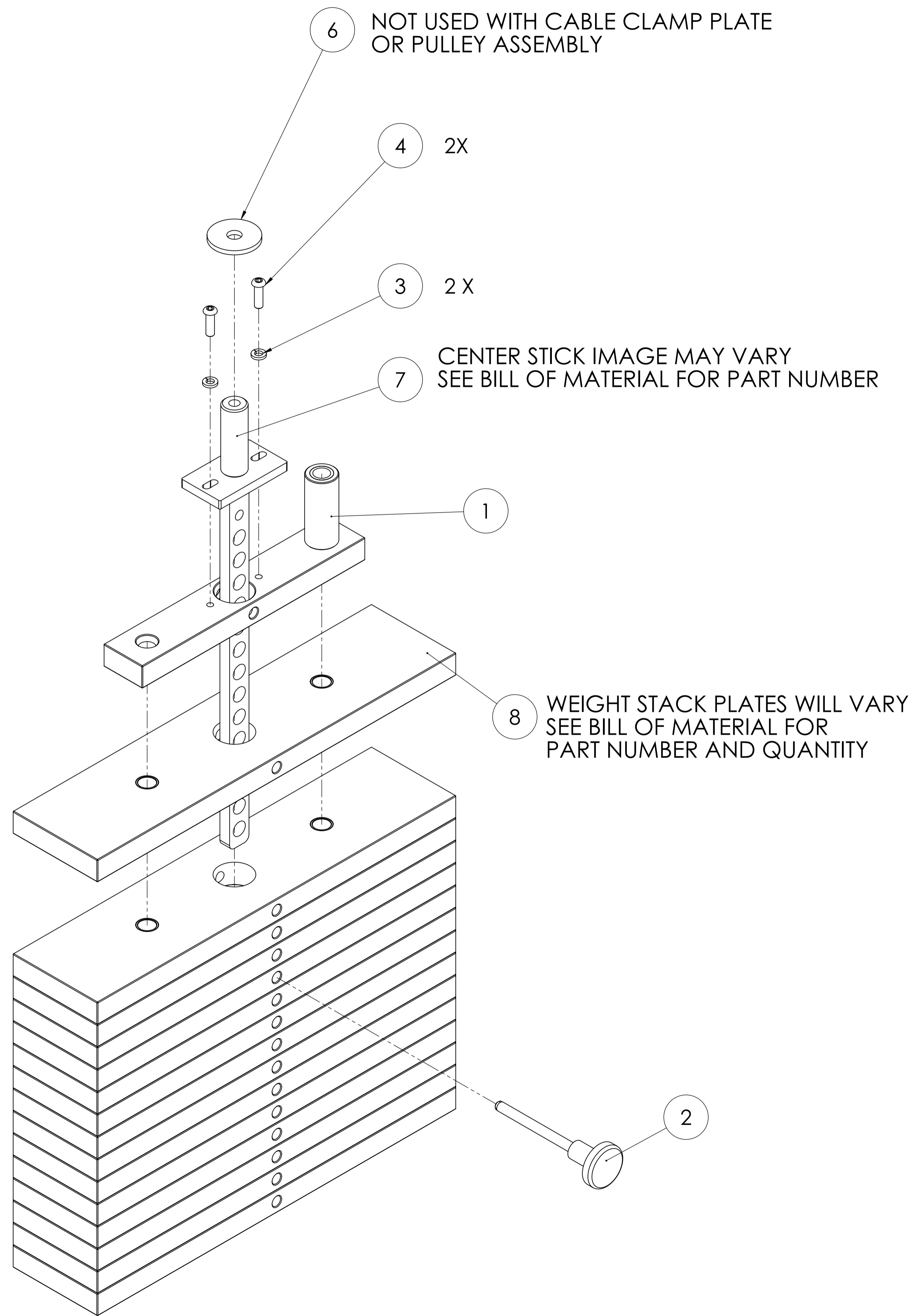
MATRIX

DWG. NO.		160-122 SERVICE	
DESCRIPTION: 900 TOWER SERIES FREE STANDING (SIDES)			
DRAWN:	LMB	DATE	2013.AUG.06
UPDATED:	LG	DATE	2020.APR.20

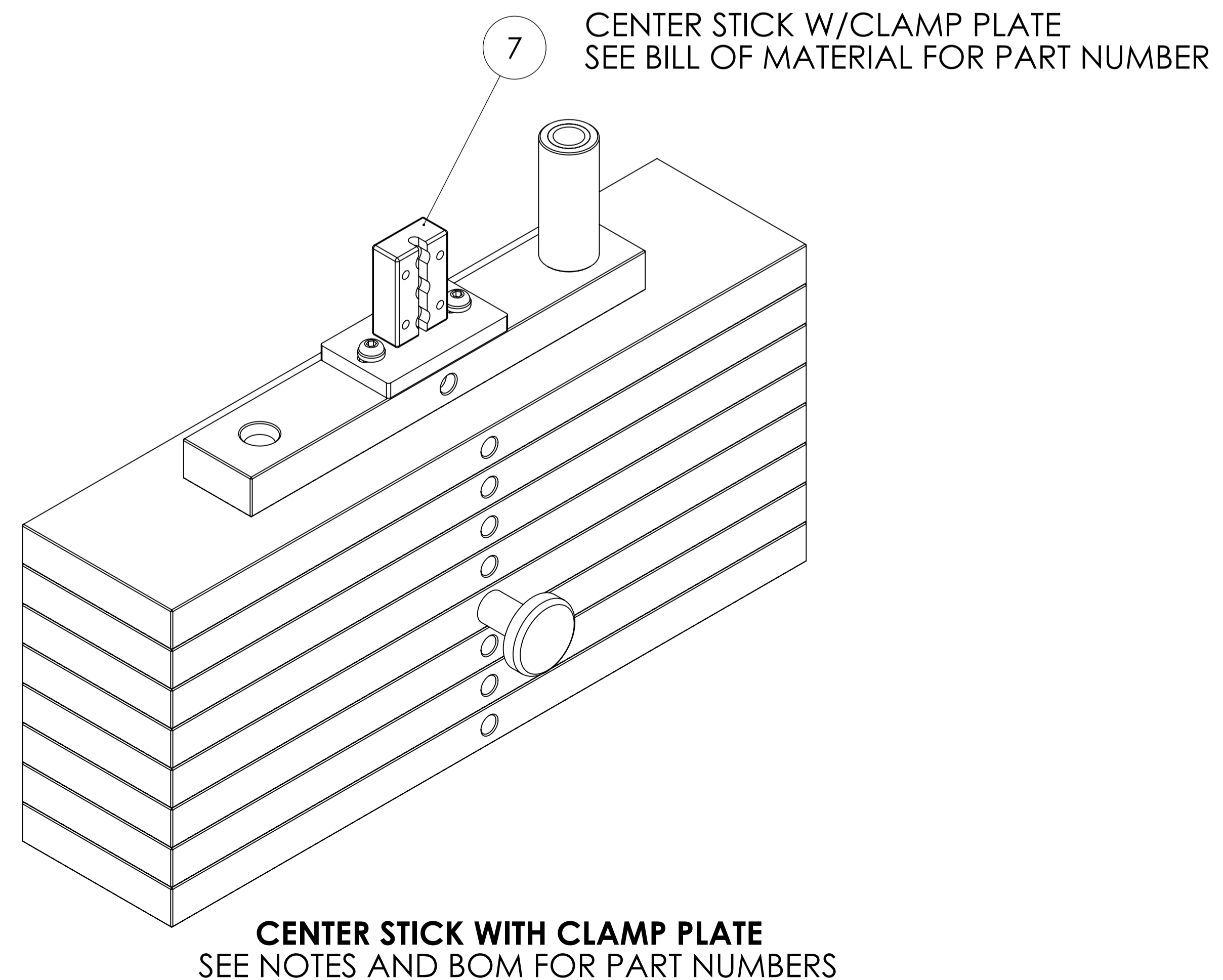
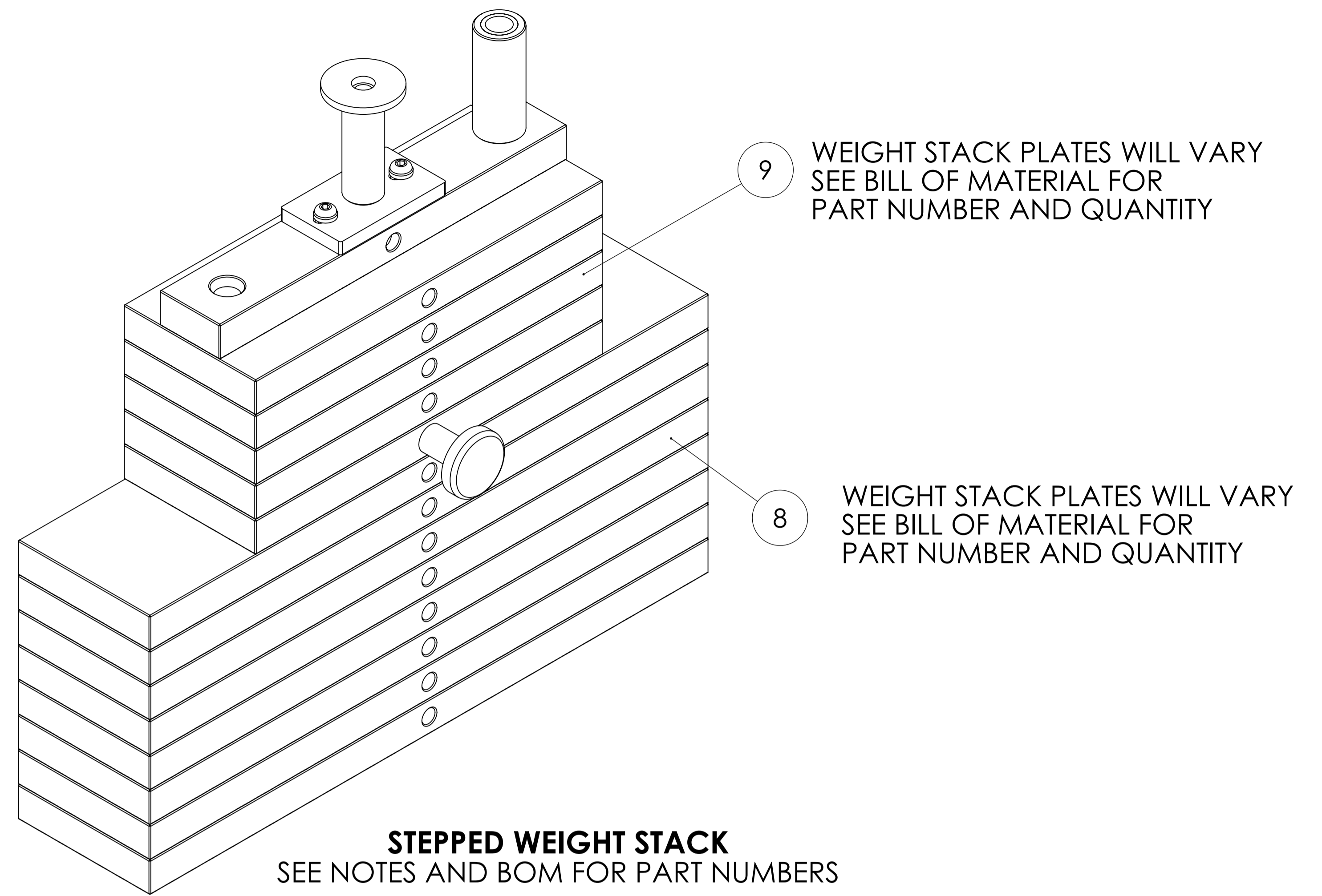


MATRIX

DWG NO: 160-056,160-057,160-058,160-059			
SERVICE			
DESCRIPTION: HAND GRIP (RUBBER GRIP TUBE)			
DRAWN BY:	LMB	DATE:	2013.OCT.07
UPDATED BY:	LMB	DATE:	2015.JUN.05



**CENTER STICK WITH MOUNTING POST
CABLE MOUNTED WITH TAKE UP BOLT OR PULLEY
(SHOWN EXPLODED)
SEE NOTES AND BOM FOR PART NUMBERS**



MATRIX

DWG NO.		_WEIGHT STACK SERVICE	
DESCRIPTION: WEIGHT STACK/CENTERSTICK ASSY (Take Up Bolt, Pulley & Clamp Style)			
DRAWN BY:	LMB	DATE:	2013.OCT.10
UPDATED BY:	LMB	DATE:	2017.DEC.29