

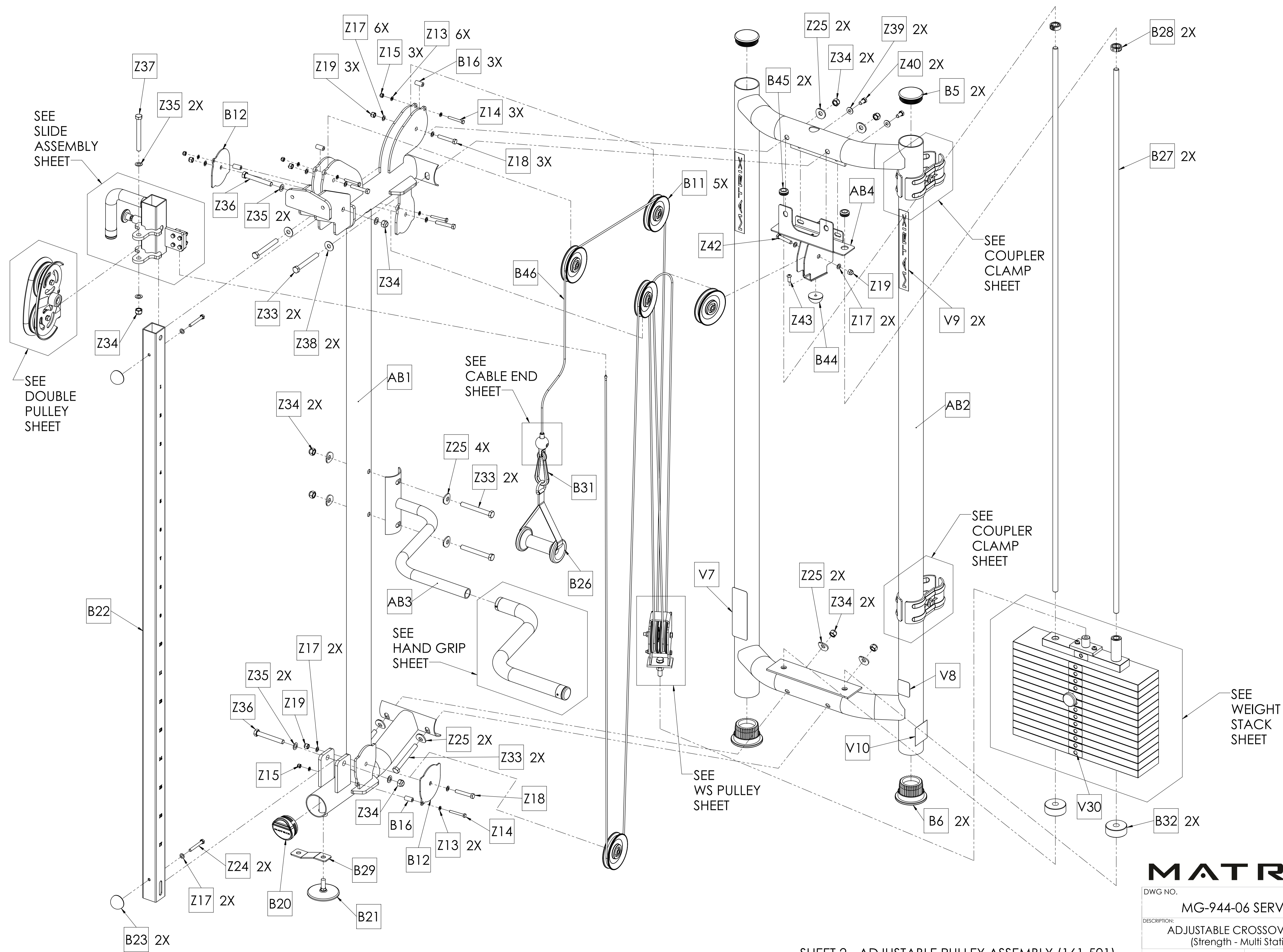
**MATRIX**

DWG NO. MG-944-06 SERVICE

DESCRIPTION: ADJUSTABLE CROSSOVER (4:1)  
(Strength - Multi Station)

DRAWN BY: LG DATE: 2020.APR.27

UPDATED BY: DATE:



SHEET 2 - ADJUSTABLE PULLEY ASSEMBLY (161-501)

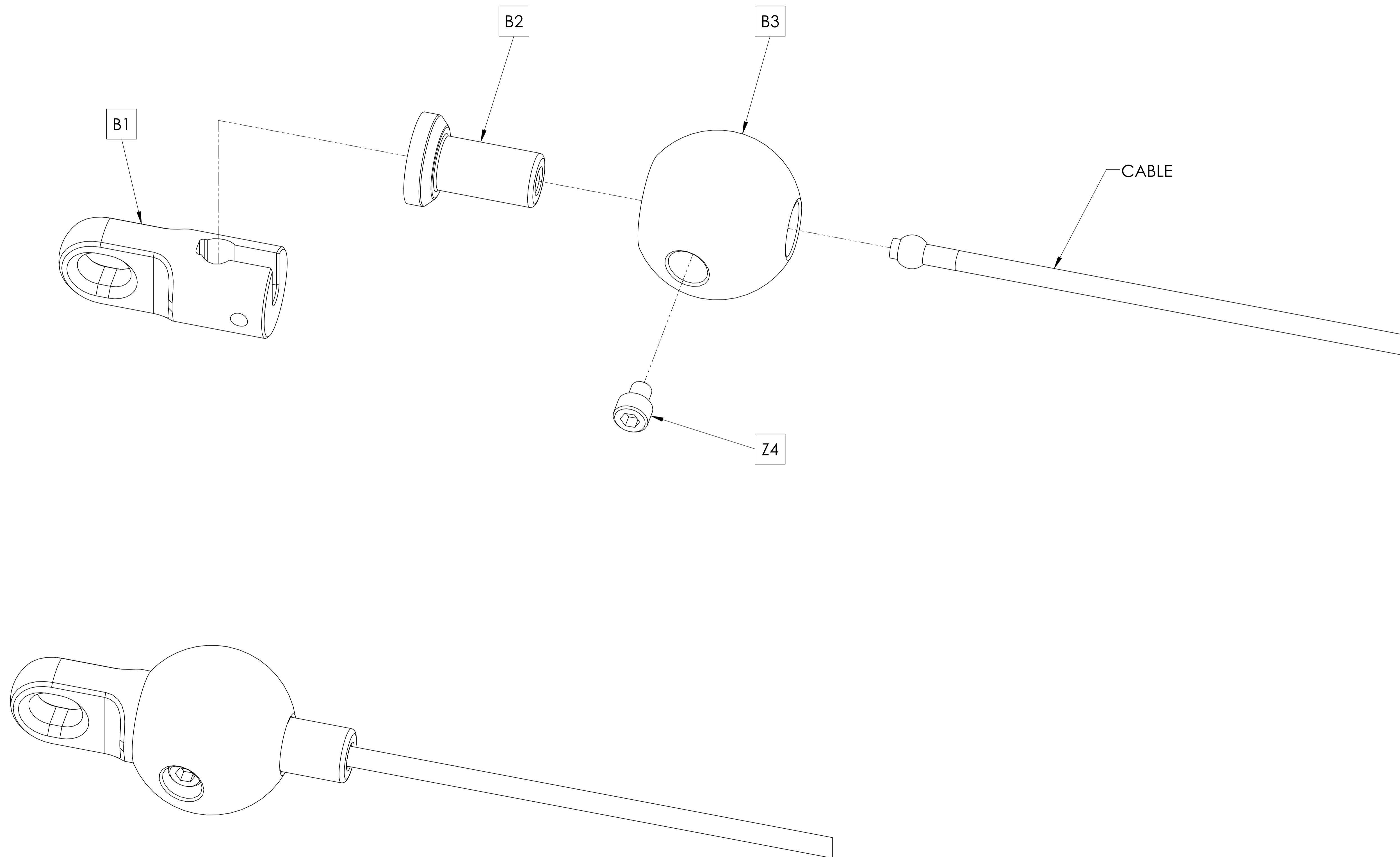
**MATRIX**

DWG NO. MG-944-06 SERVICE

DESCRIPTION: ADJUSTABLE CROSSOVER (4:1)  
(Strength - Multi Station)

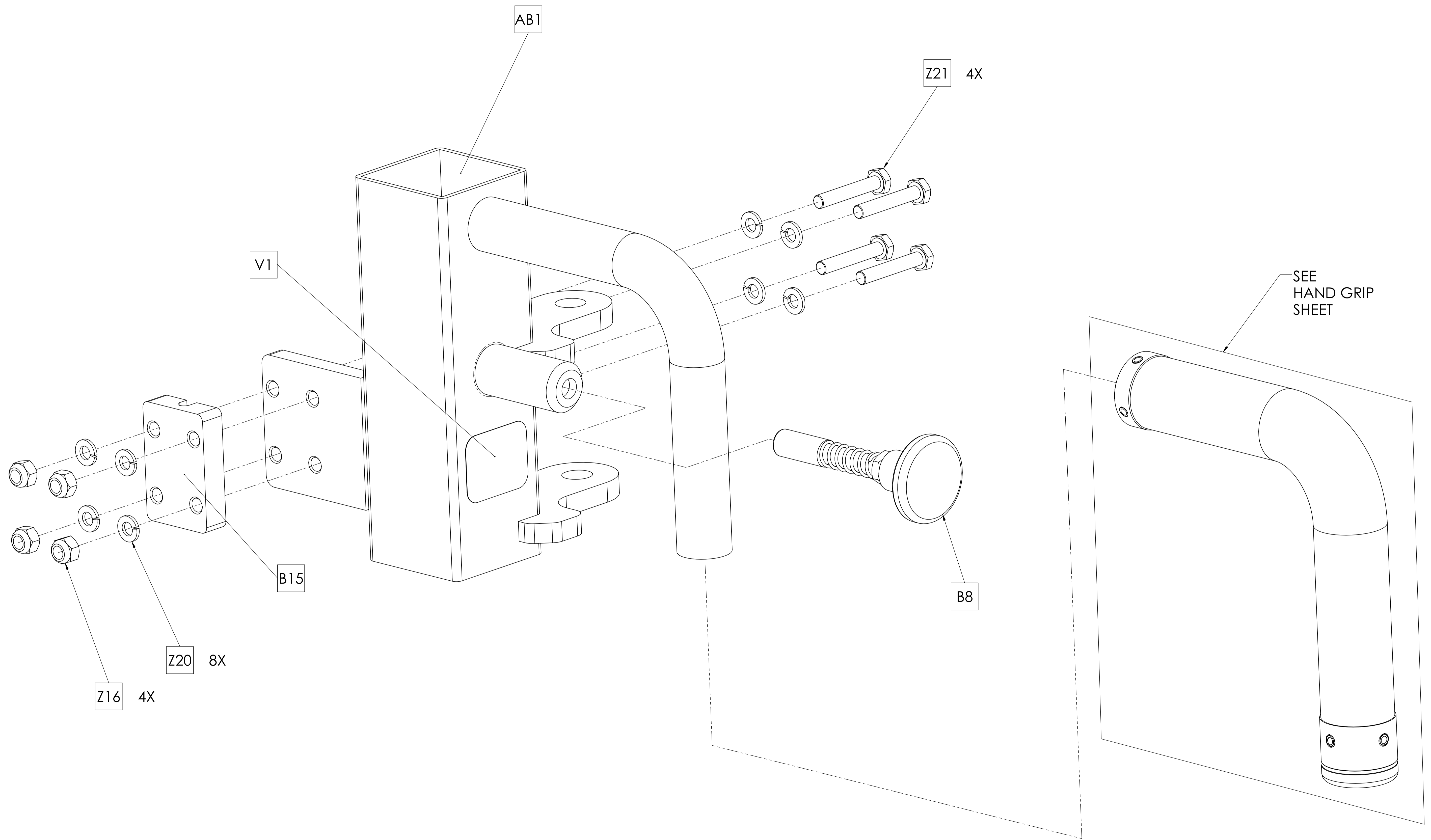
DRAWN BY: LG DATE: 2020.APR.27

UPDATED BY: DATE:



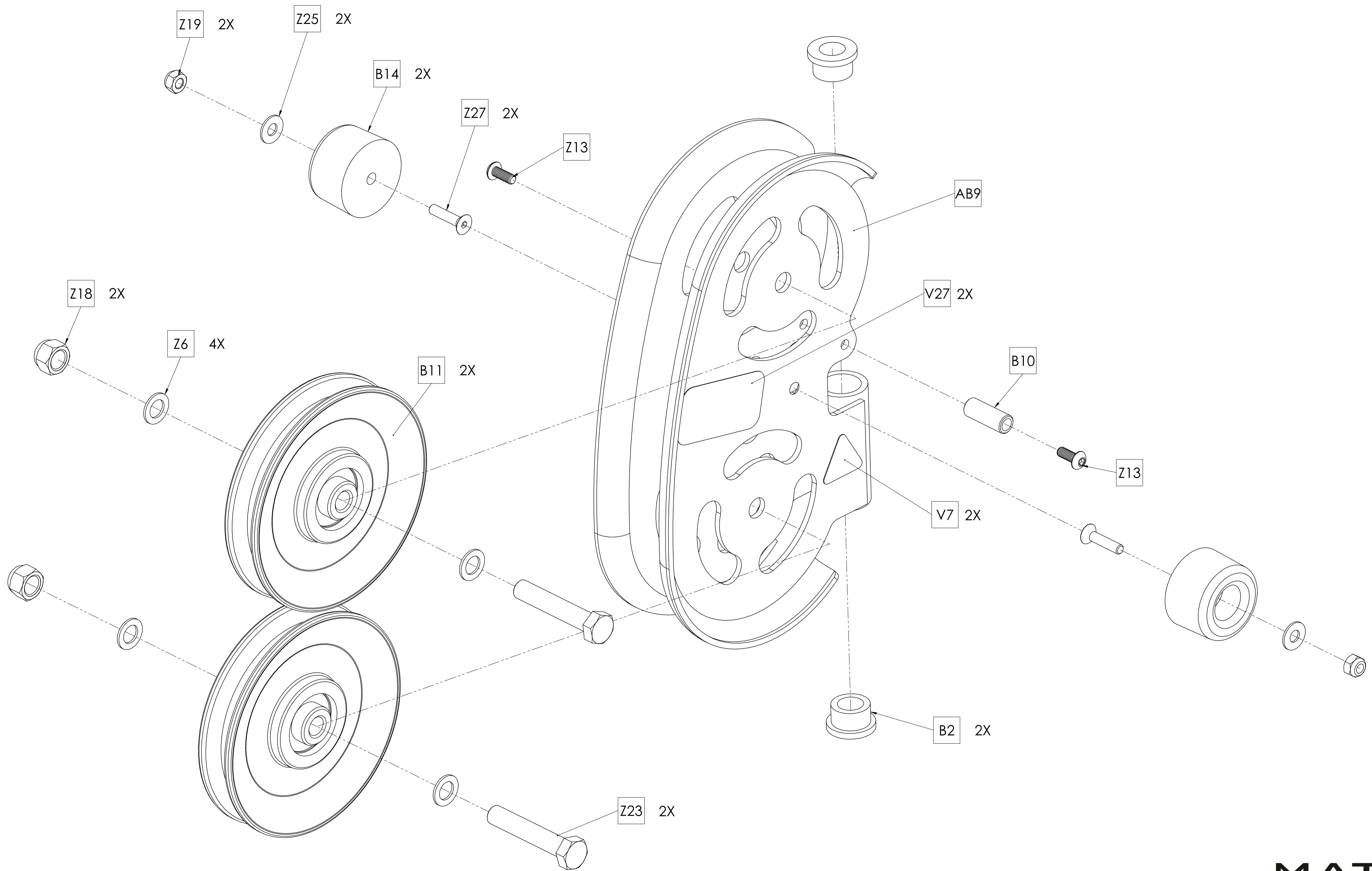
**MATRIX**

DWG NO.	161-442 SERVICE		
DESCRIPTION:	CABLE END BALL ASSEMBLY		
DRAWN BY:	LG	DATE:	2019.SEP.18
UPDATED BY:	LG	DATE:	2020.APR.17



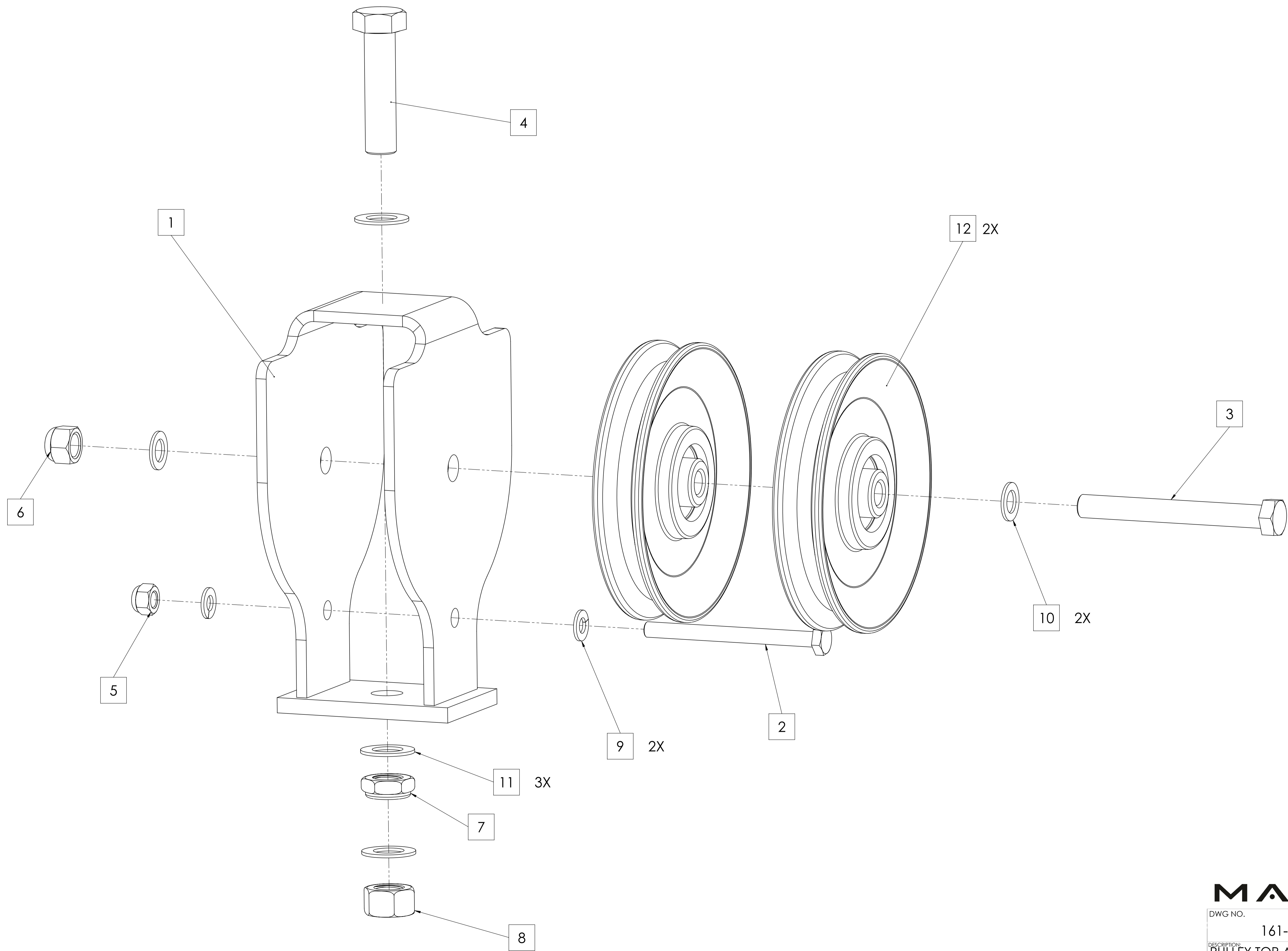
**MATRIX**

DWG NO.			161-148 SERVICE		
DESCRIPTION:			SLIDE ASSEMBLY; FORMED BOOK (Strength)		
DRAWN BY:	LMB	DATE:	2016.JUL.26		
UPDATED BY:	LG	DATE:	2020.APR.17		



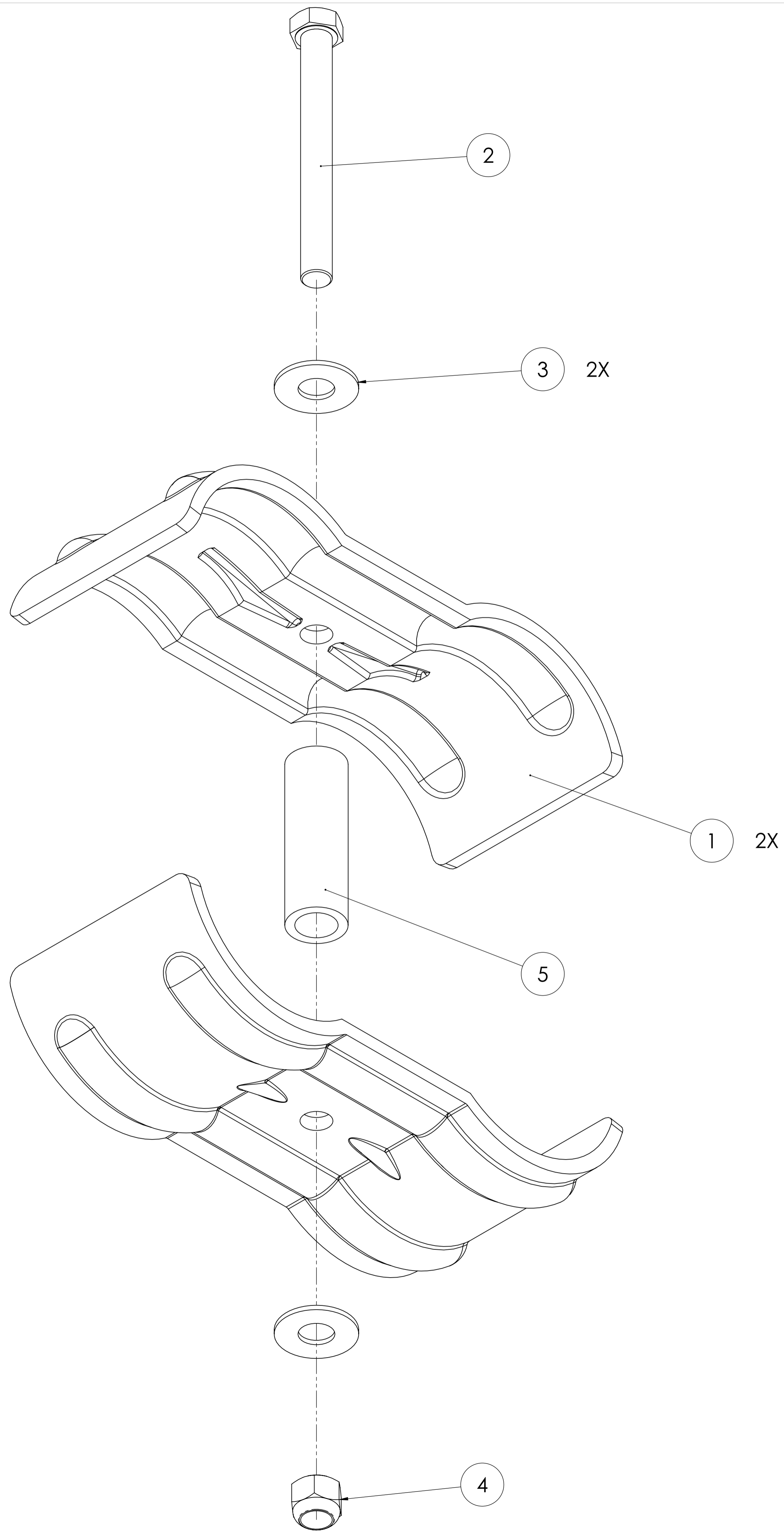
**MATRIX**

DWG NO.		
161-147 SERVICE		
DESCRIPTION: DOUBLE PULLEY;BOOK;FORMED (Strength)		
DRAWN BY:	LMB	DATE: 2016.MAR.25
UPDATED BY:	--	DATE: --



**MATRIX**

DWG NO.		
161-038 SERVICE		
DESCRIPTION: PULLEY TOP ASSY;2X WEIGHT STACK (Strength)		
DRAWN BY:	LMB	DATE: 2016.SEP.15
UPDATED BY:	LG	DATE: 2020.APR.16



**MATRIX**

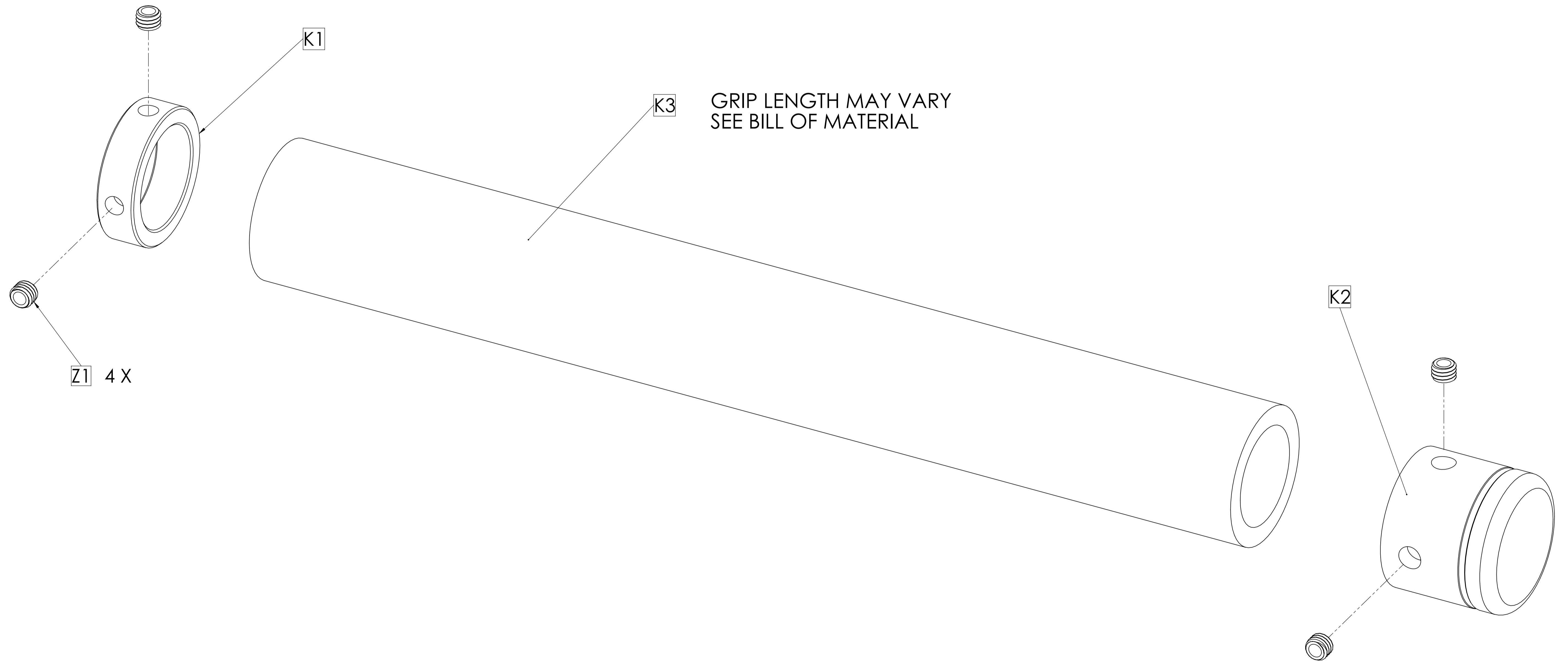
DWG NO.

160-257 SERVICE

DESCRIPTION:  
**900 SERIES TOWER CLAMP (SINGLE)**  
 (Strength - Multi Station)

DRAWN BY: LMB DATE: 2016.JAN.14

UPDATED BY: LMB DATE: 2016.DEC.14



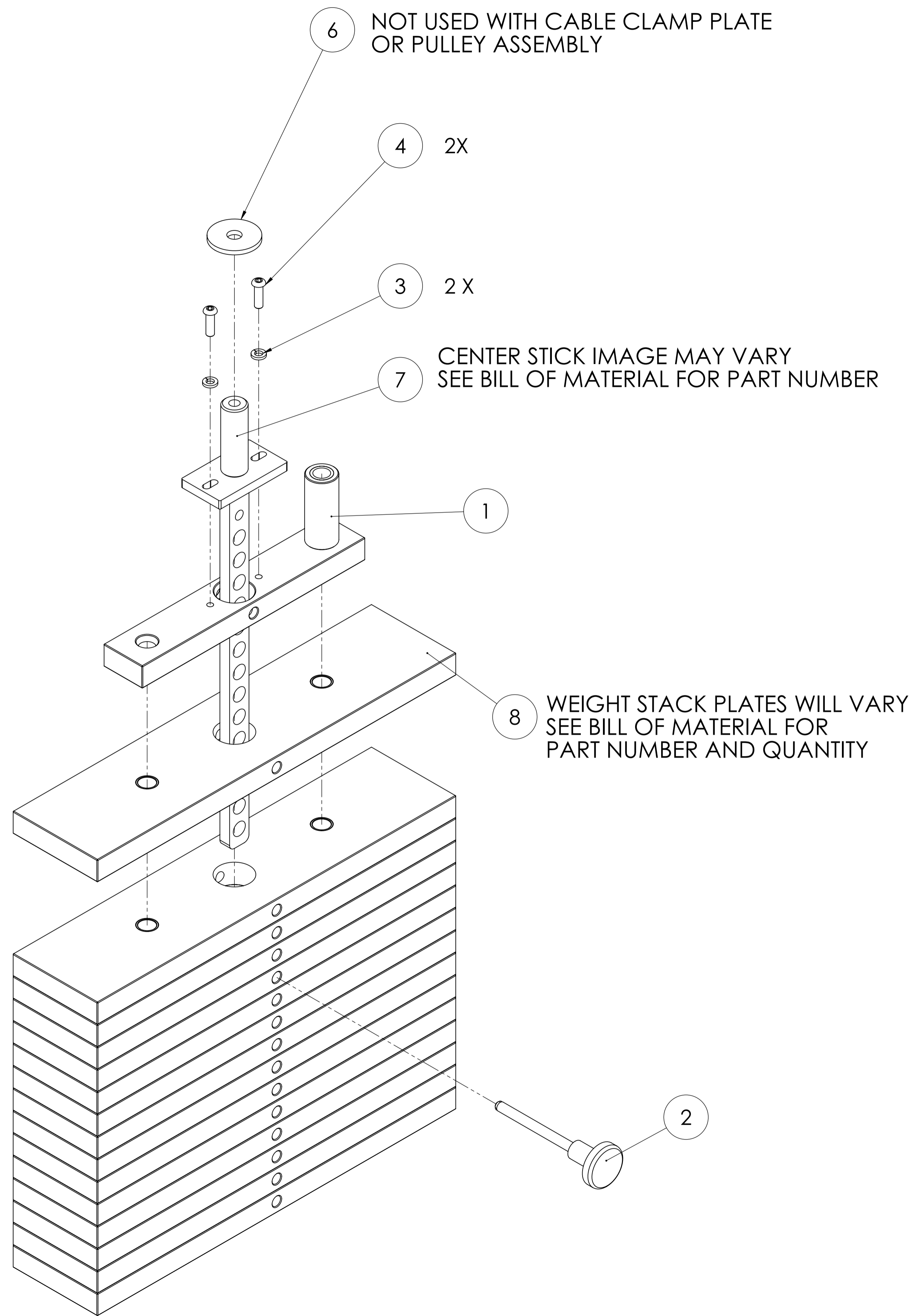
**MATRIX**

DWG NO:  
160-056,160-057,160-058,160-059

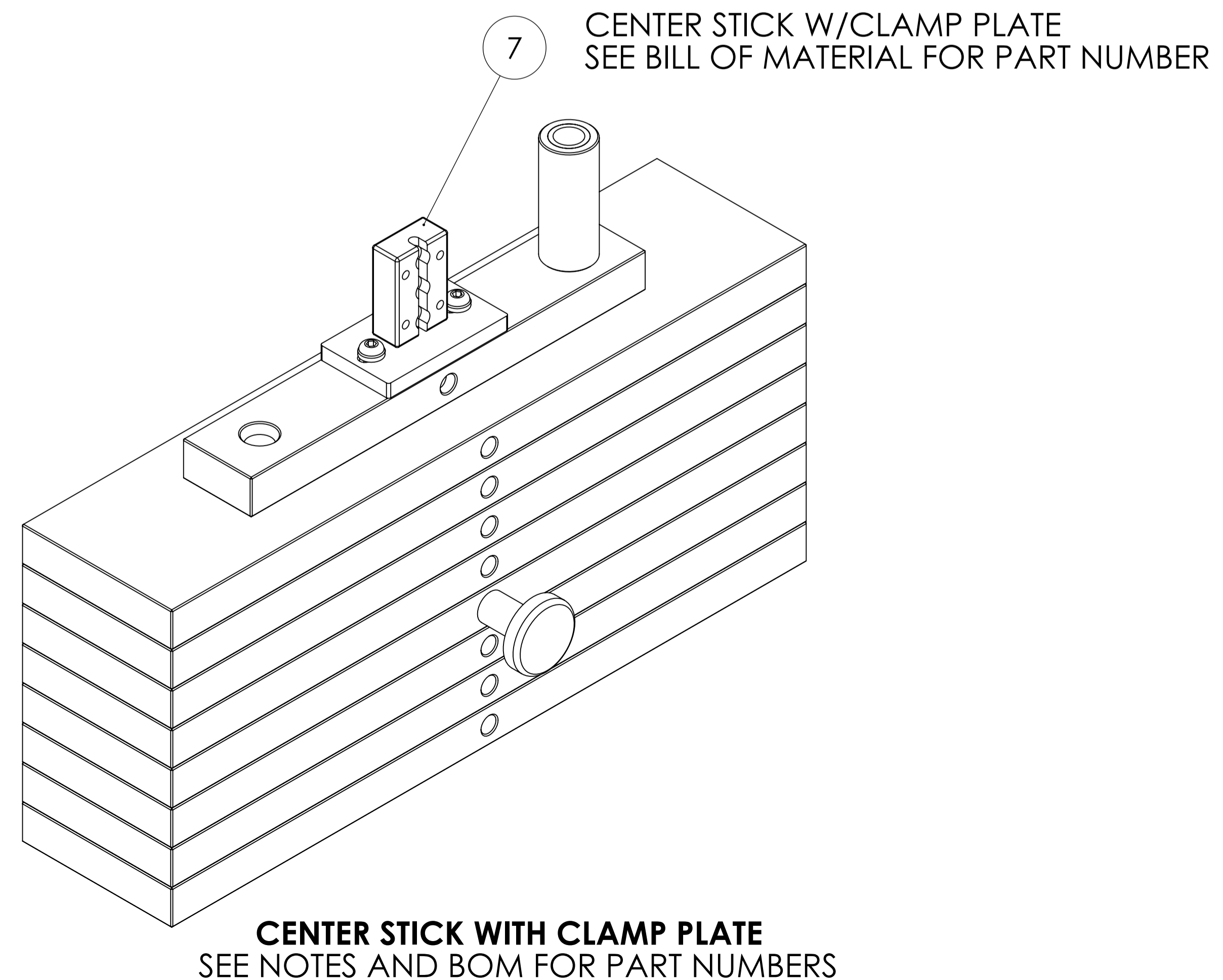
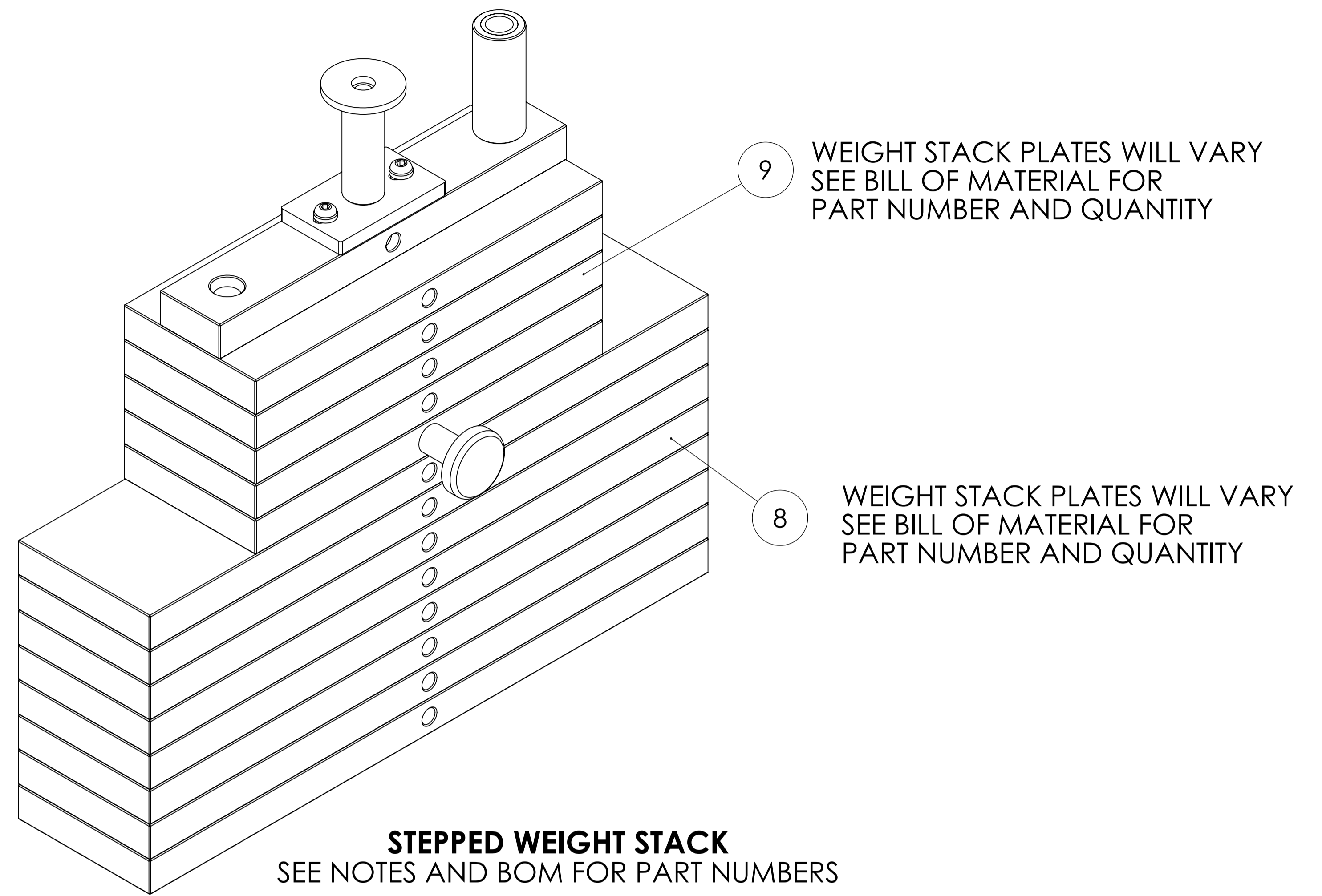
DESCRIPTION:  
SERVICE  
HAND GRIP  
(RUBBER GRIP TUBE)

DRAWN BY: LMB DATE: 2013.OCT.07

UPDATED BY: LMB DATE: 2015.JUN.05



**CENTER STICK WITH MOUNTING POST  
CABLE MOUNTED WITH TAKE UP BOLT OR PULLEY  
(SHOWN EXPLODED)  
SEE NOTES AND BOM FOR PART NUMBERS**



**MATRIX**

DWG NO. <b>_WEIGHT STACK SERVICE</b>		
DESCRIPTION: <b>WEIGHT STACK/CENTERSTICK ASSY (Take Up Bolt, Pulley &amp; Clamp Style)</b>		
DRAWN BY: LMB	DATE: 2013.OCT.10	
UPDATED BY: LMB	DATE: 2017.DEC.29	