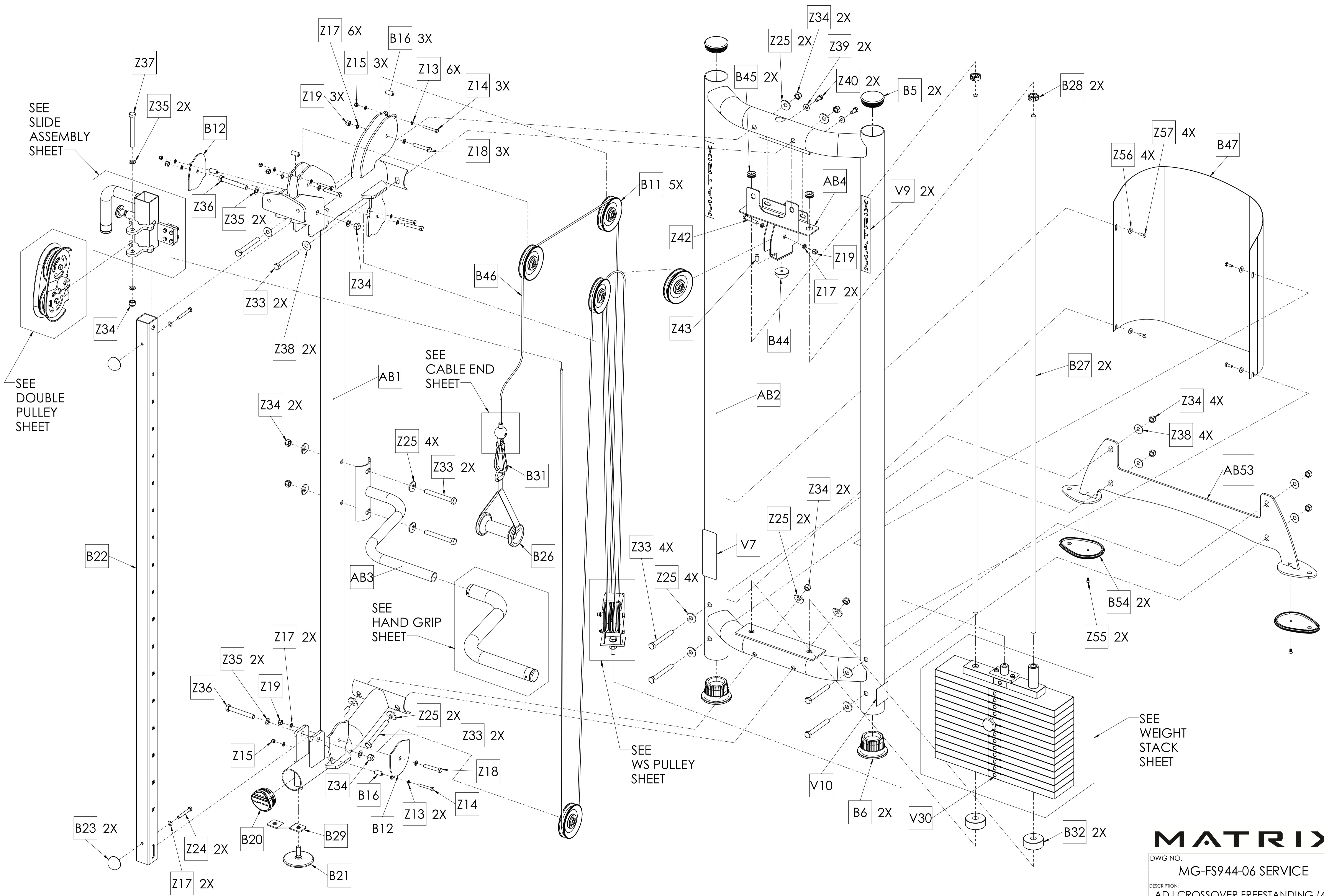


**MATRIX**

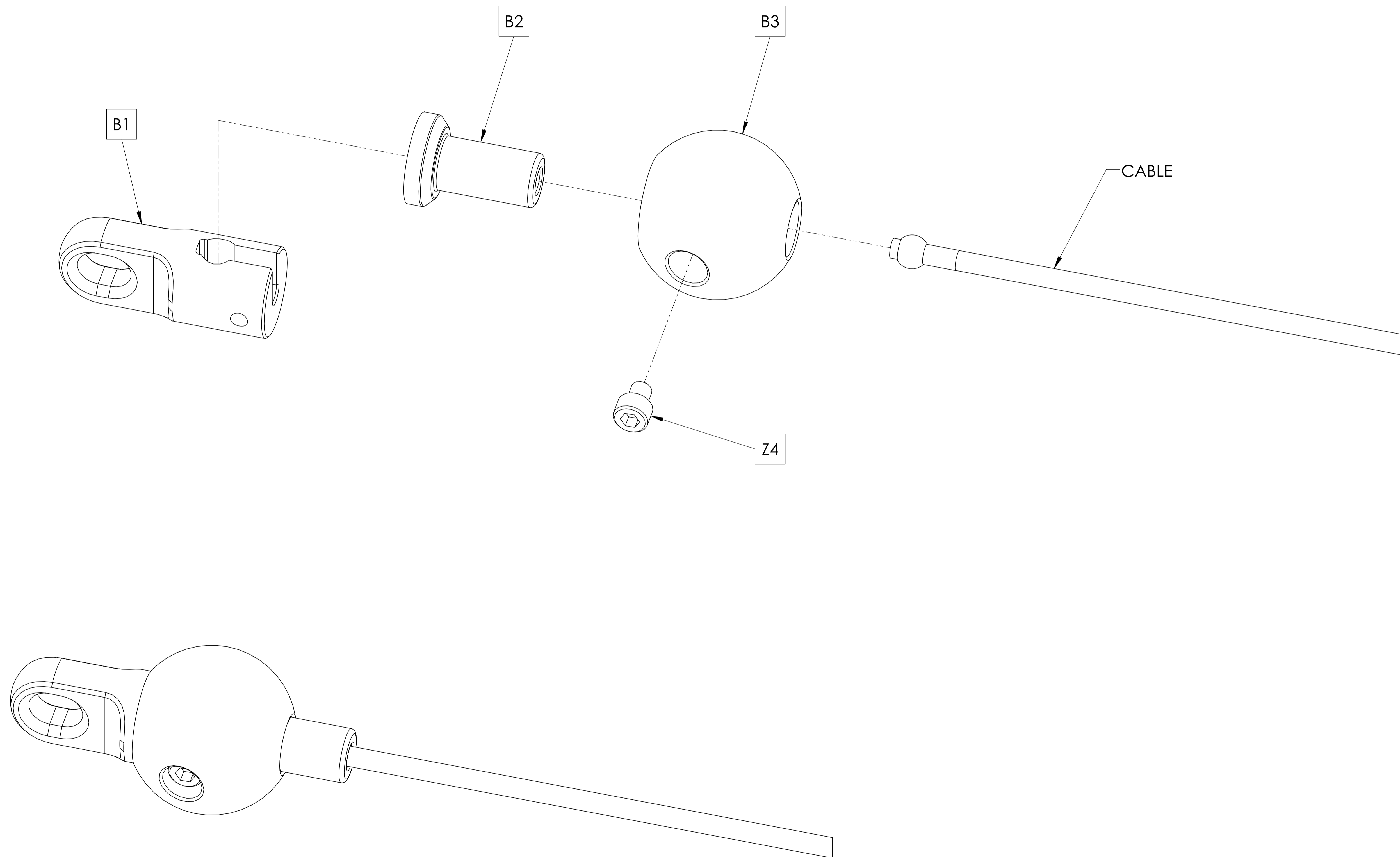
DWG NO.		MG-FS944-06 SERVICE	
DESCRIPTION:			
ADJ CROSSOVER FREESTANDING (4:1)			
(Strength - Multi-Station)			
DRAWN BY:	LG	DATE:	2020.APR.27
UPDATED BY:		DATE:	



SHEET 2 - ADJUSTABLE PULLEY ASSEMBLY (161-502)

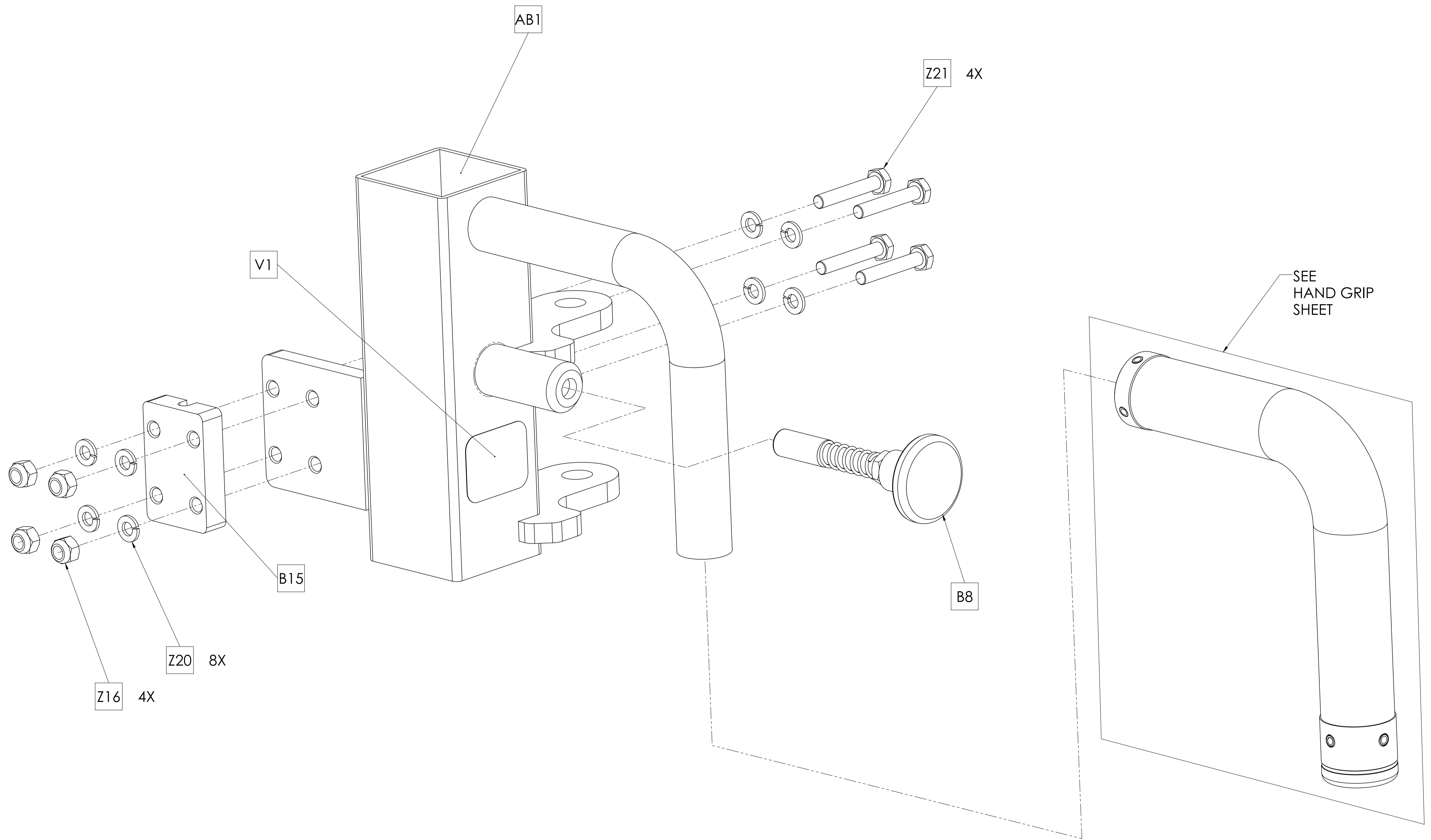
**MATRIX**

DWG NO.		MG-FS944-06 SERVICE	
DESCRIPTION:			
ADJ CROSSOVER FREESTANDING (4:1)			
(Strength - Multi-Station)			
DRAWN BY:	LG	DATE:	2020.APR.27
UPDATED BY:		DATE:	



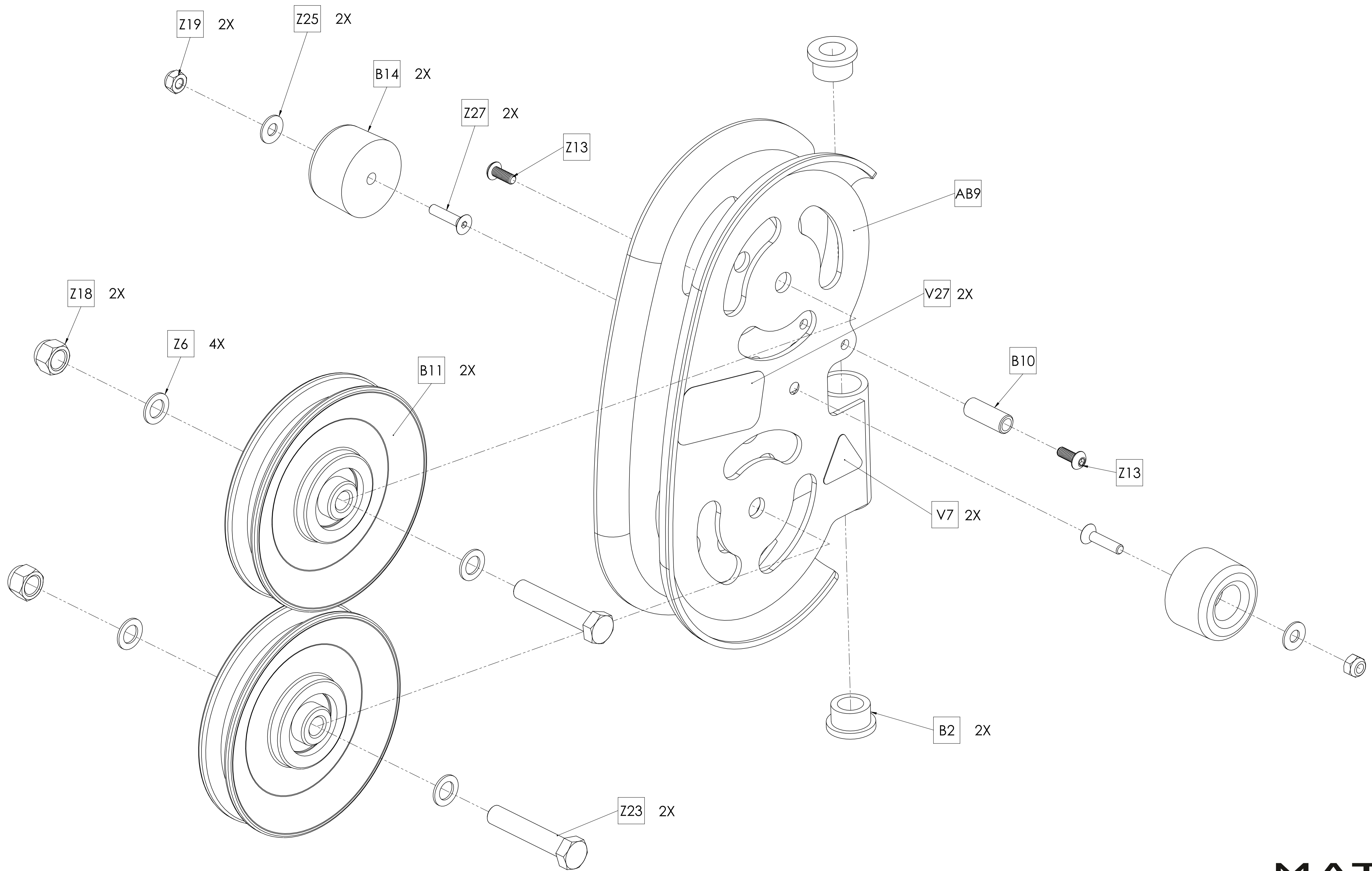
**MATRIX**

DWG NO.	161-442 SERVICE		
DESCRIPTION:	CABLE END BALL ASSEMBLY		
DRAWN BY:	LG	DATE:	2019.SEP.18
UPDATED BY:	LG	DATE:	2020.APR.17



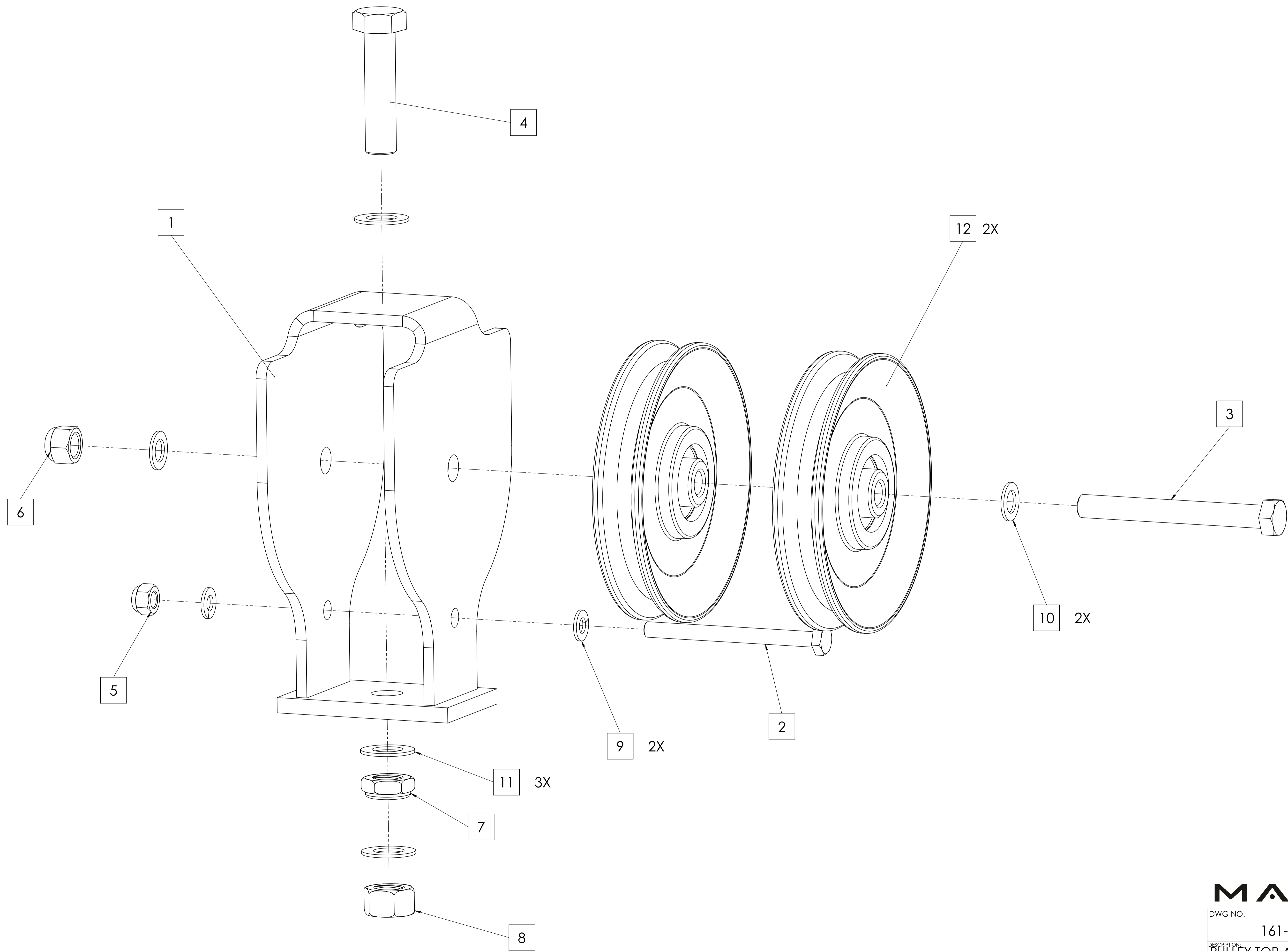
# MATRIX

DWG NO.			161-148 SERVICE		
DESCRIPTION:			SLIDE ASSEMBLY; FORMED BOOK (Strength)		
DRAWN BY:	LMB	DATE:	2016.JUL.26		
UPDATED BY:	LG	DATE:	2020.APR.17		



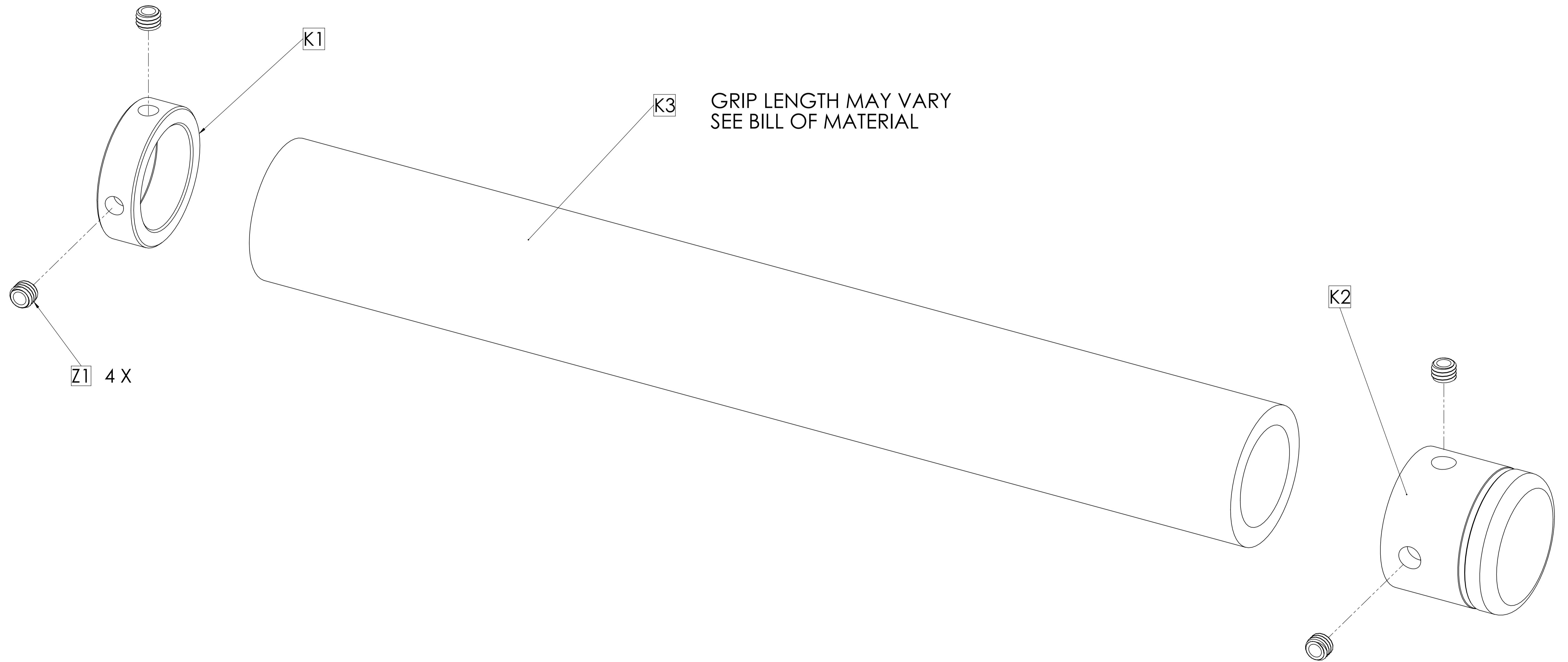
**MATRIX**

DWG NO.		
161-147 SERVICE		
DESCRIPTION: DOUBLE PULLEY;BOOK;FORMED (Strength)		
DRAWN BY:	LMB	DATE: 2016.MAR.25
UPDATED BY:	--	DATE: --



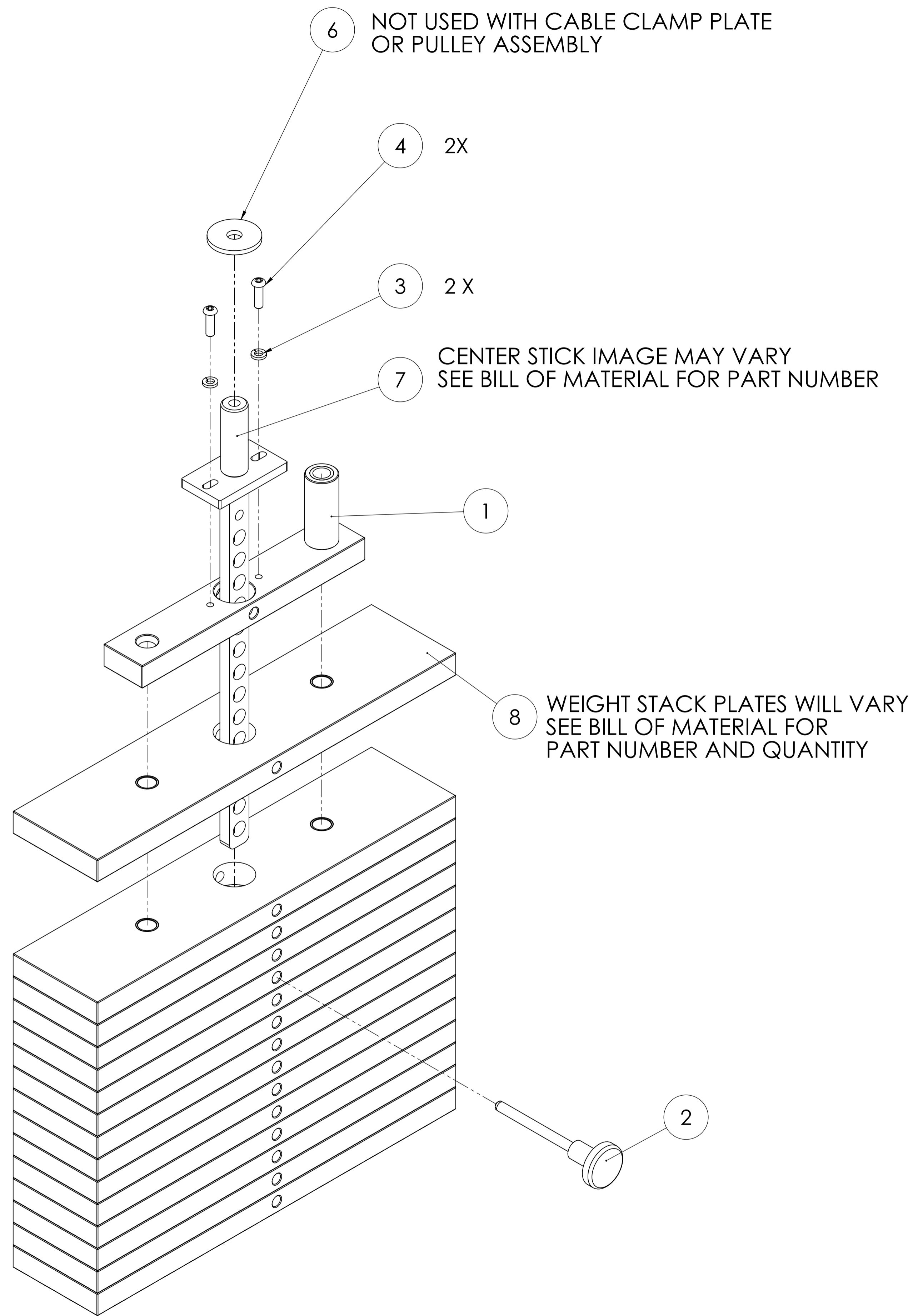
**MATRIX**

DWG NO.			161-038 SERVICE		
DESCRIPTION: PULLEY TOP ASSY;2X WEIGHT STACK (Strength)					
DRAWN BY:	LMB	DATE:	2016.SEP.15		
UPDATED BY:	LG	DATE:	2020.APR.16		

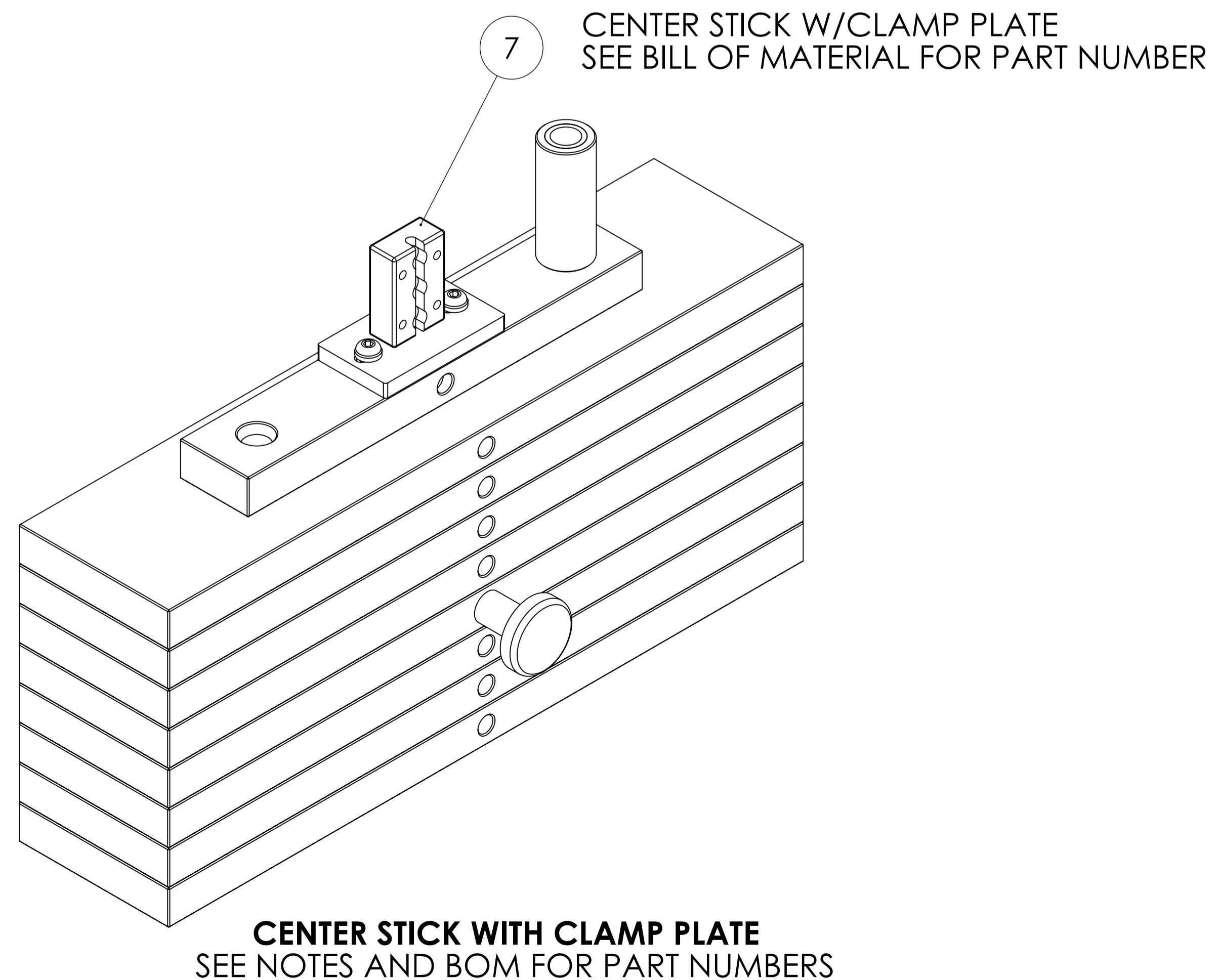
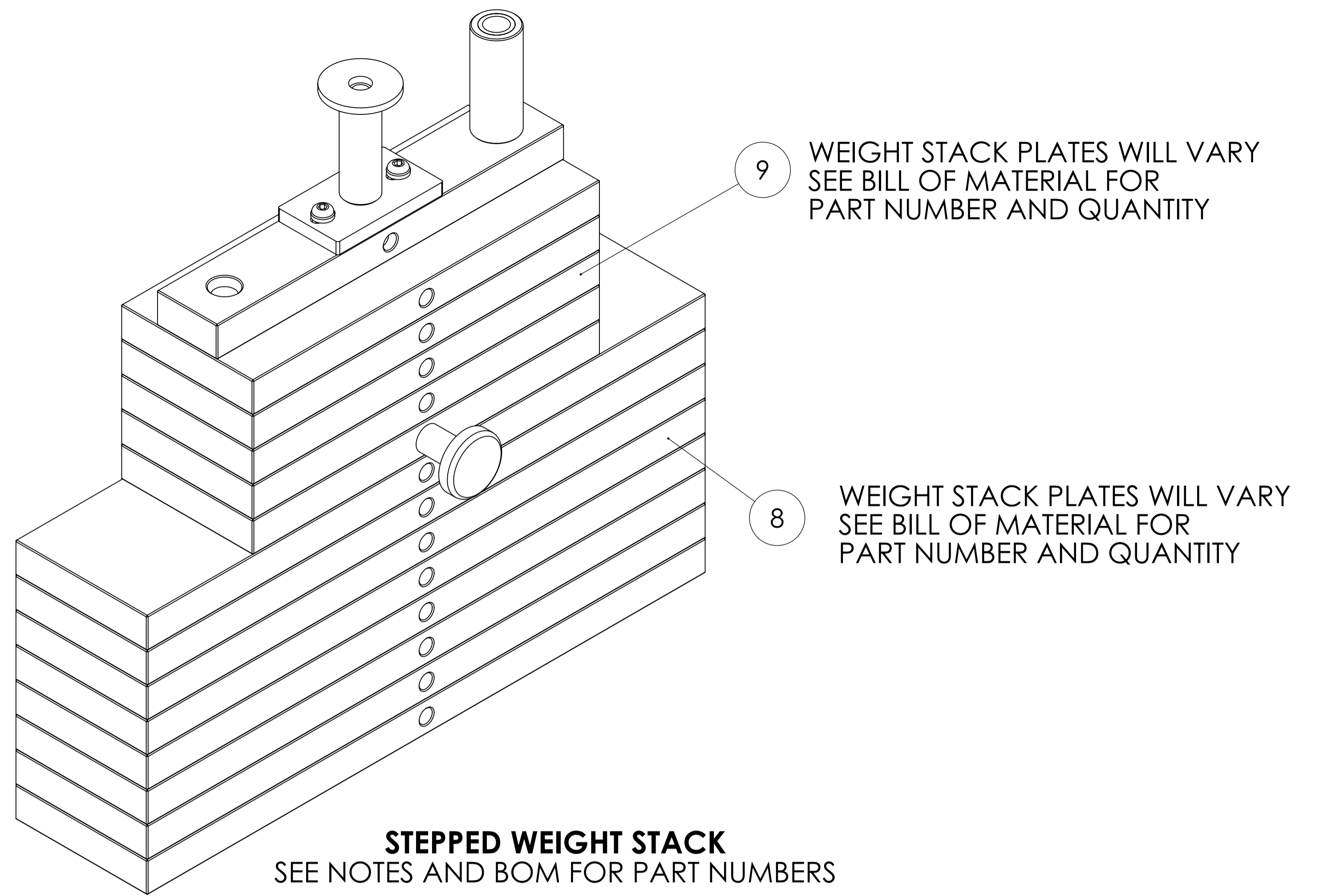


**MATRIX**

DWG NO:		160-056,160-057,160-058,160-059	
DESCRIPTION:		SERVICE	
		HAND GRIP	
		(RUBBER GRIP TUBE)	
DRAWN BY:	LMB	DATE:	2013.OCT.07
UPDATED BY:	LMB	DATE:	2015.JUN.05



**CENTER STICK WITH MOUNTING POST  
CABLE MOUNTED WITH TAKE UP BOLT OR PULLEY  
(SHOWN EXPLODED)  
SEE NOTES AND BOM FOR PART NUMBERS**



**MATRIX**

DWG NO.		
_WEIGHT STACK SERVICE		
DESCRIPTION: WEIGHT STACK/CENTERSTICK ASSY (Take Up Bolt, Pulley & Clamp Style)		
DRAWN BY:	LMB	DATE: 2013.OCT.10
UPDATED BY:	LMB	DATE: 2017.DEC.29