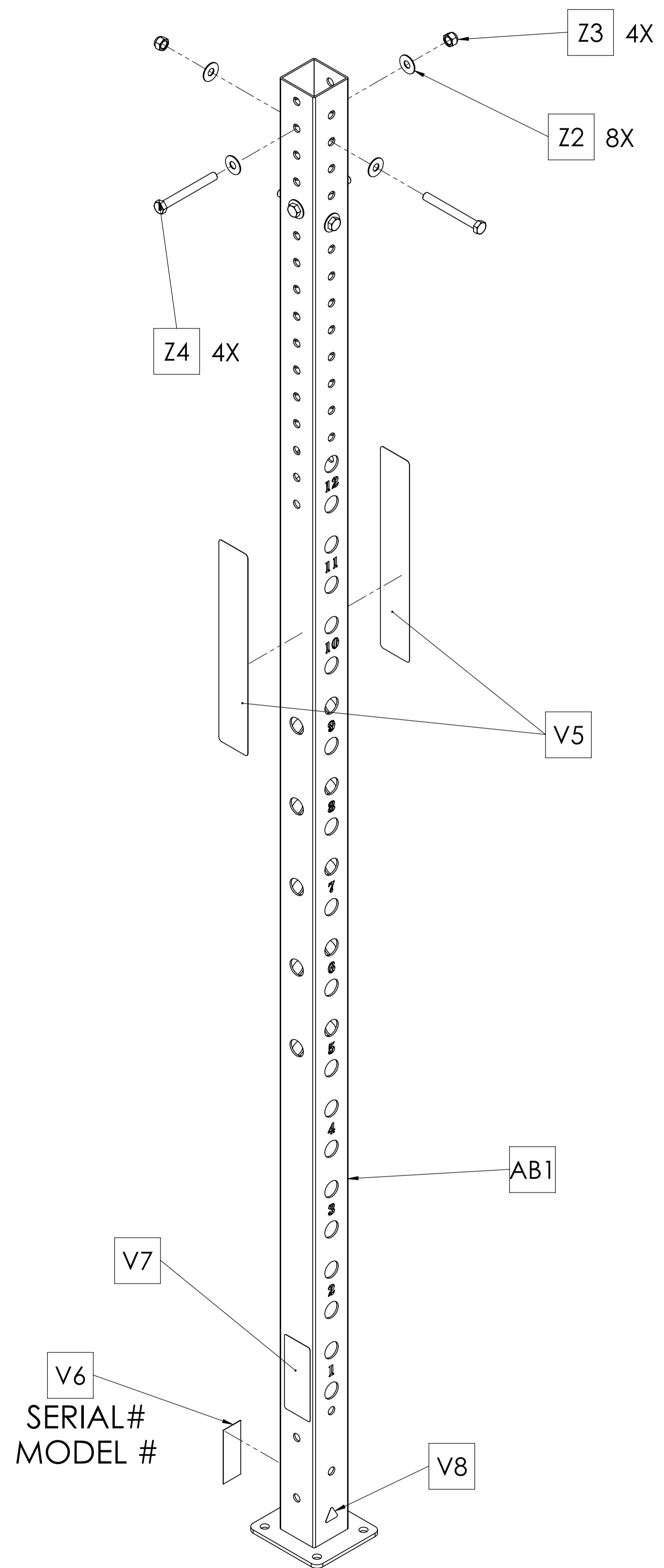
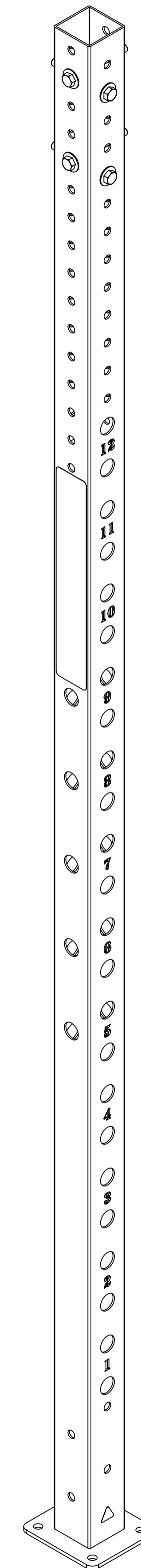


MATRIX

DWG NO.		XT-6-MON-02 SERVICE	
DESCRIPTION:		6' MONKEY RIG XULT	
DRAWN BY:	LMB	DATE:	2017.NOV.15
UPDATED BY:		DATE:	



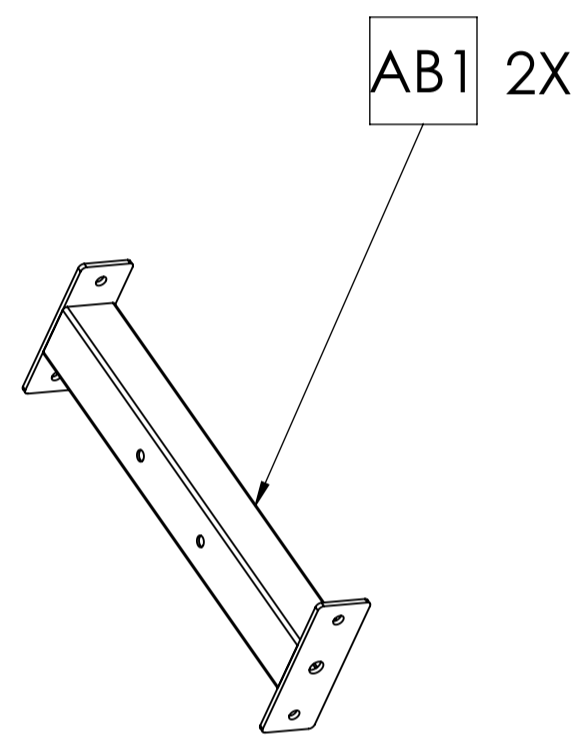
XR03S-02
XULT 9' UPRIGHT W/SERIAL# & MTG HW
(SHOWN EXPLODED)



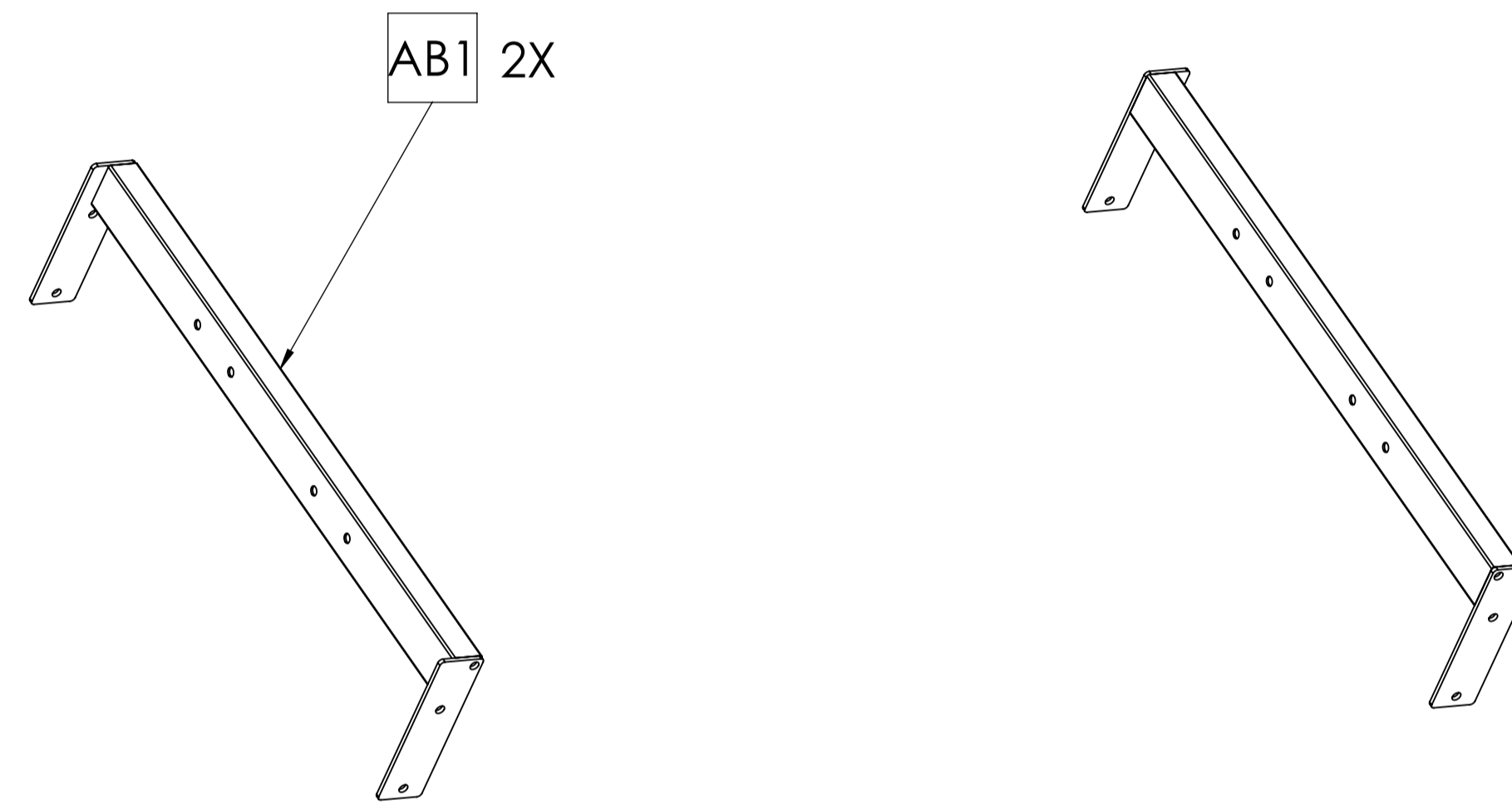
XR03-02
XULT 9' UPRIGHT W/MTG HW

MATRIX

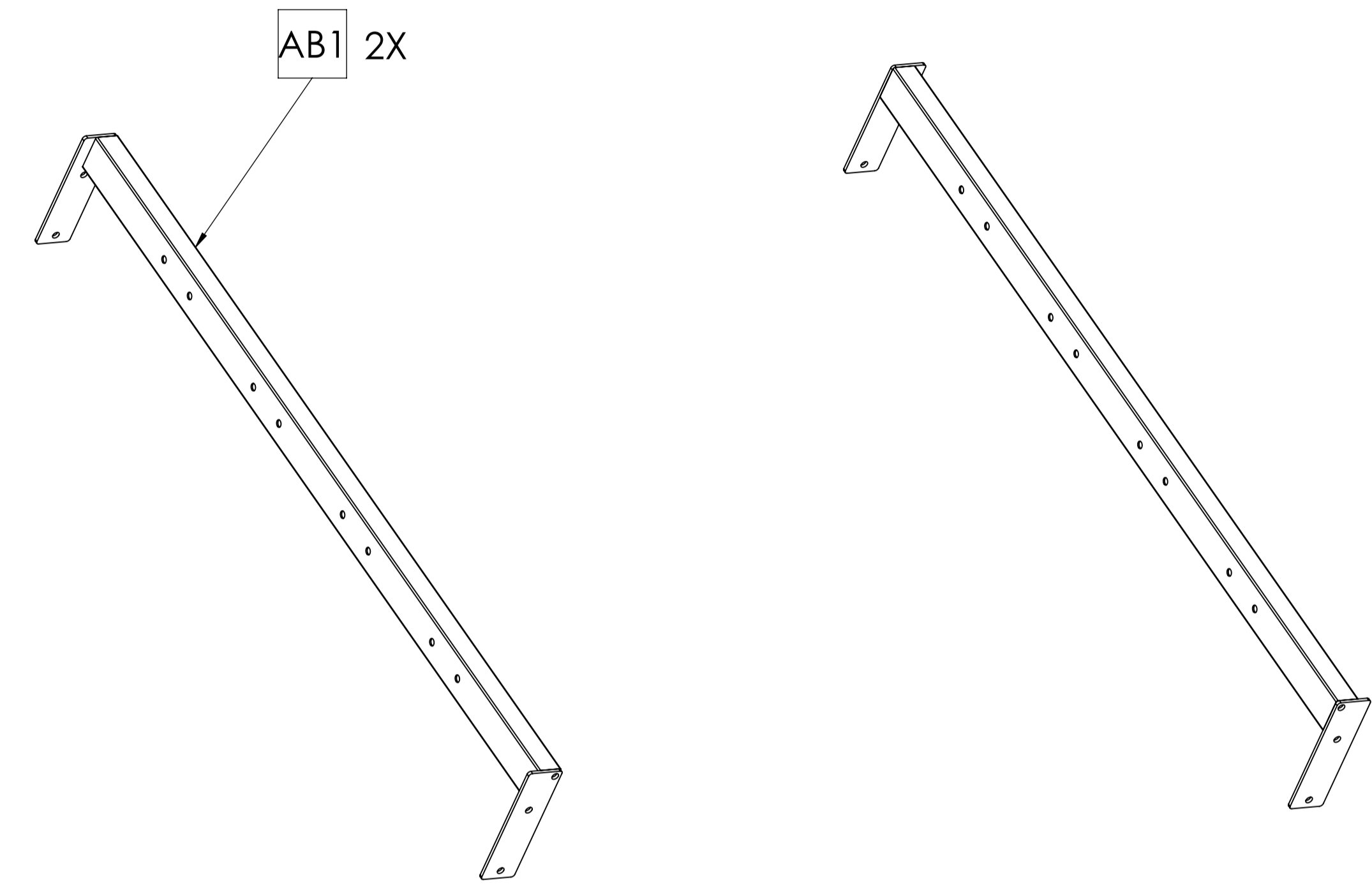
DWG NO.		XR03-02 SERIES SERVICE	
DESCRIPTION:		RIG;9' UPRIGHT SERIES	
		XULT	
DRAWN BY:	LMB	DATE:	2017.NOV.03
UPDATED BY:		DATE:	



XR04-02 SUPPORT 2' (PAIR)



XR05-02 SUPPORT 4' (PAIR)



XR06-02 SUPPORT 6' (PAIR)

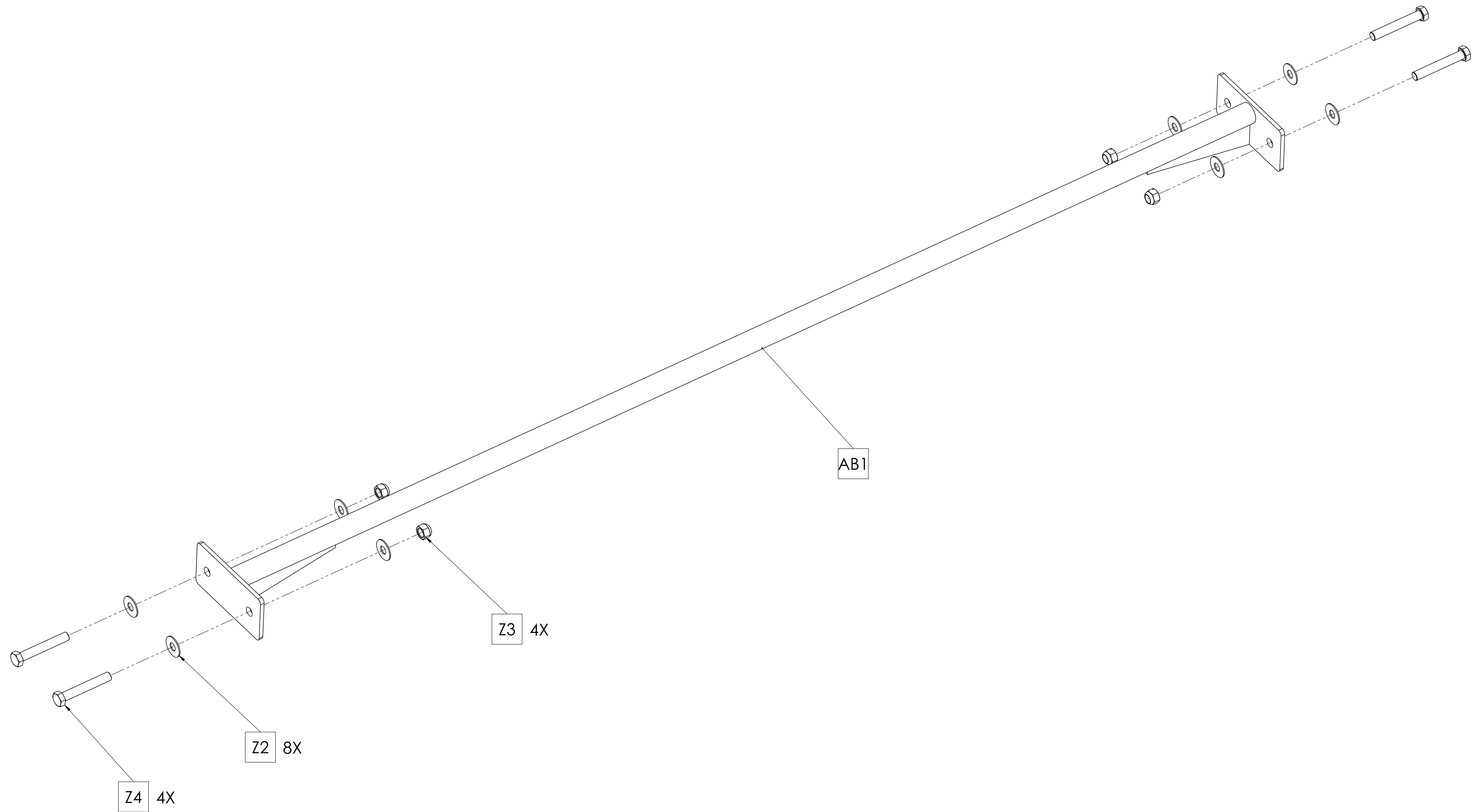
MATRIX

DWG NO. XR04-02, XR05-02 & XR06-02 SERVICE

DESCRIPTION: RIG; SUPPORT PAIR
XULT

DRAWN BY: LMB DATE: 2017.NOV.03

UPDATED BY: DATE:



MATRIX

DWG NO.		XR07-02 SERVICE	
DESCRIPTION:		RIG CHIN(MONKEY) BAR XULT	
DRAWN BY:	LMB	DATE:	2017.NOV.03
UPDATED BY:		DATE:	