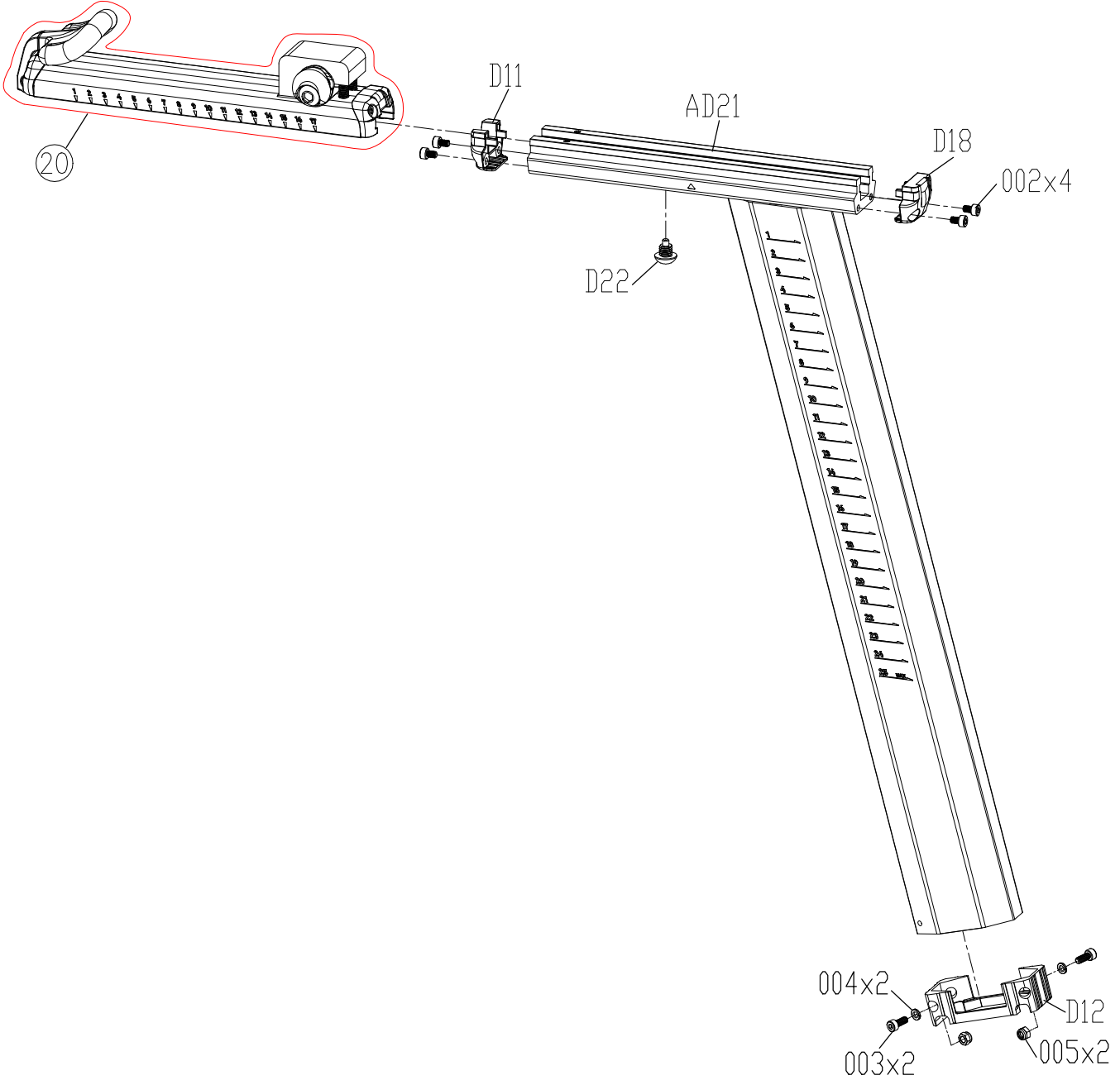
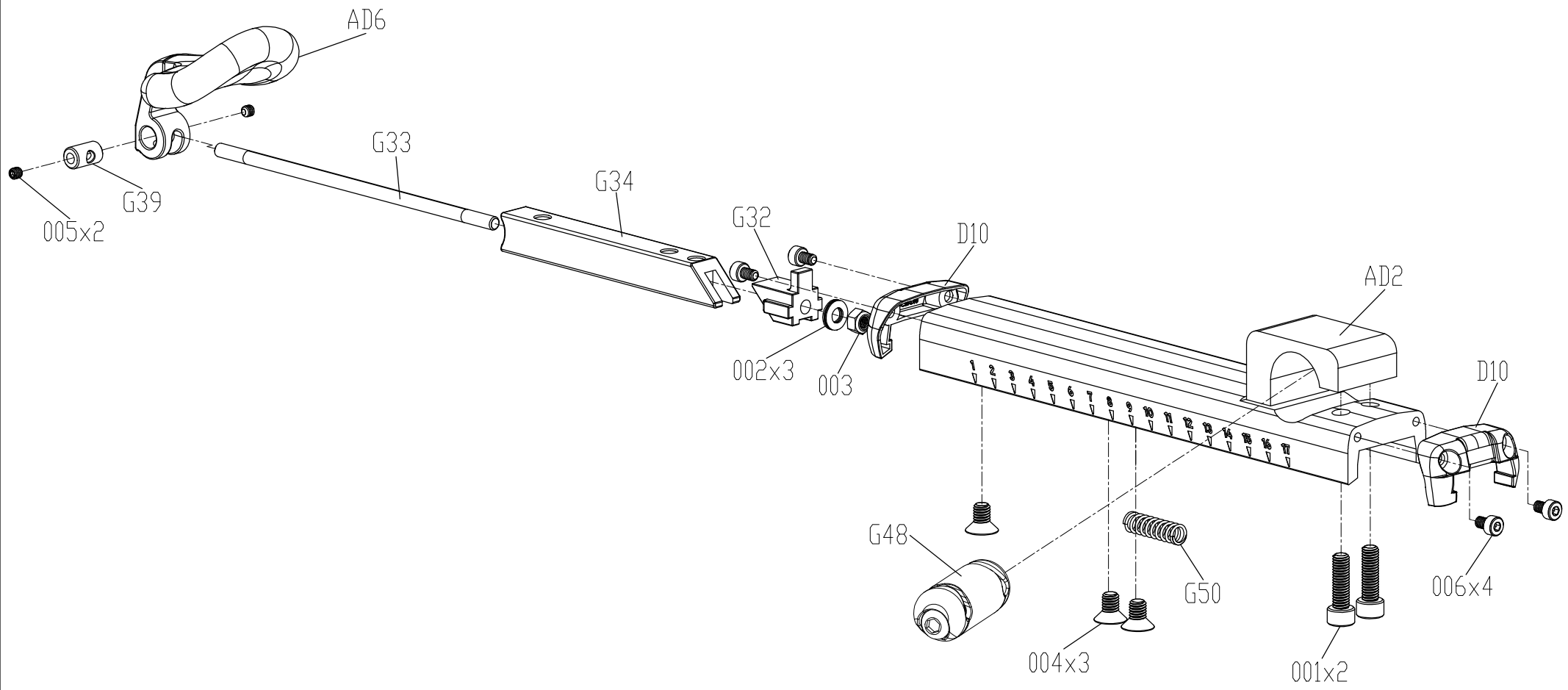


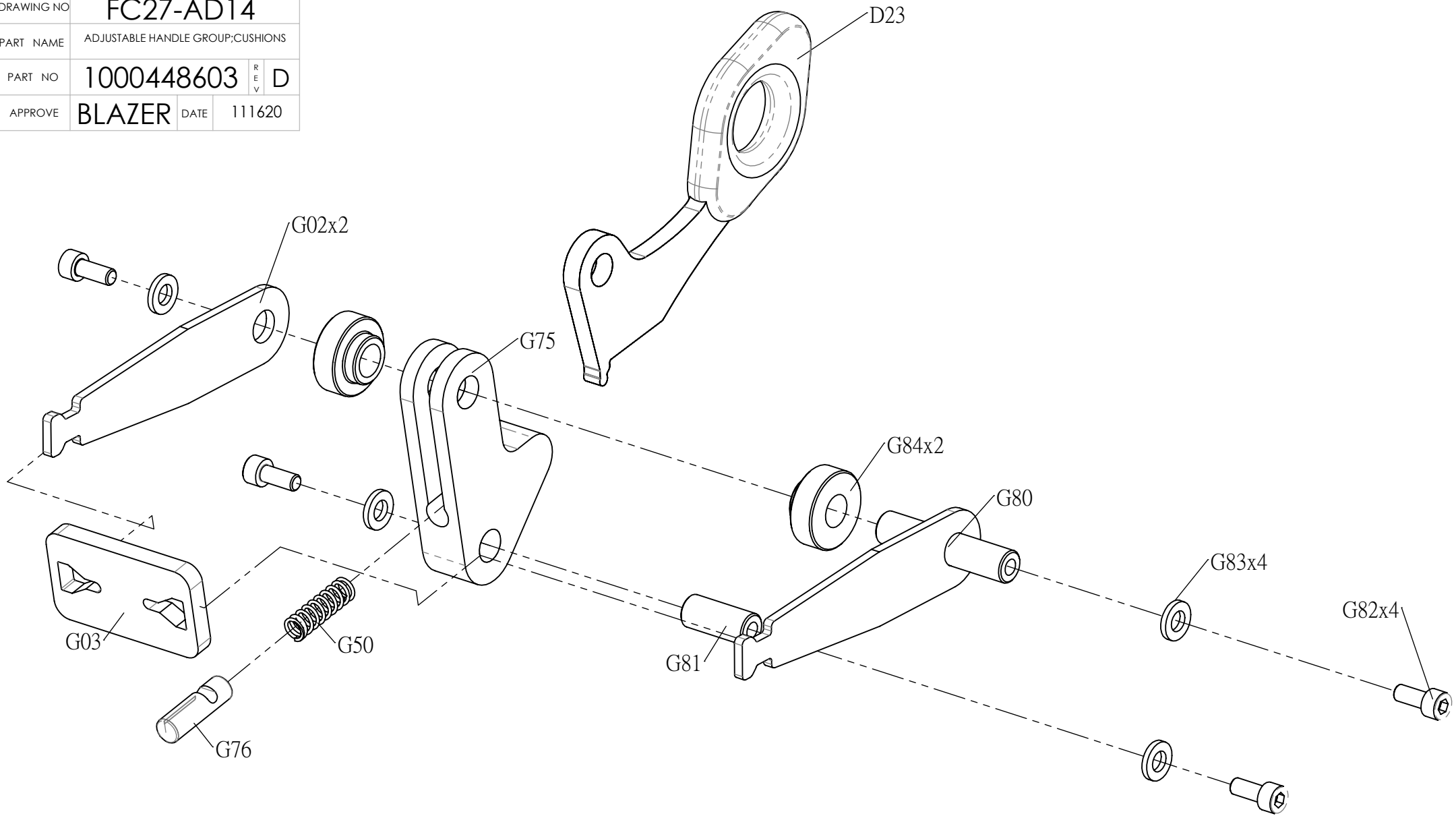
DRAWING NO	FC20-AD11		
PART NAME	Seat Post Set		
PART NO	1000404510 <small>REV D</small>		
APPROVE	S.T.C	DATE	20201109



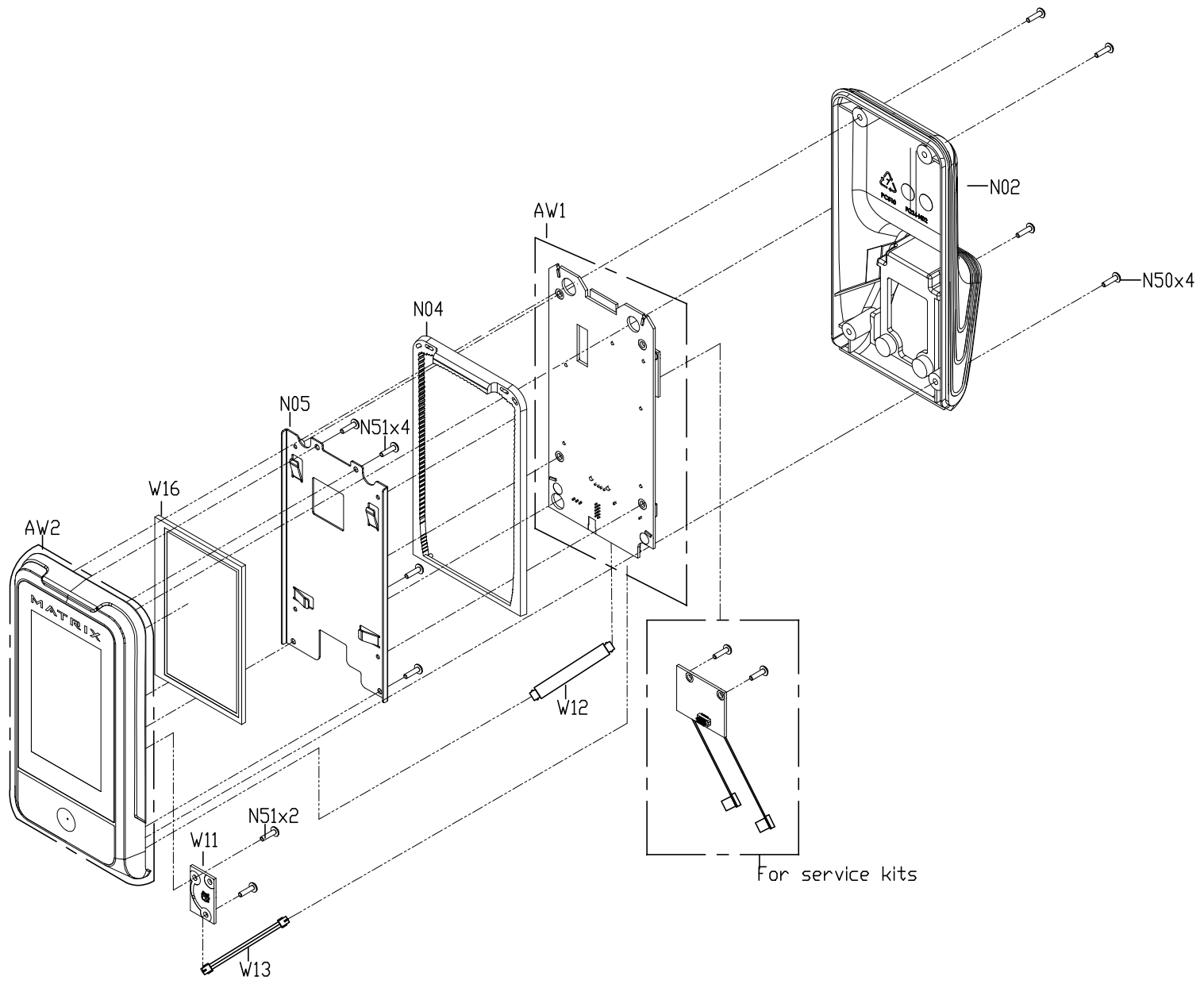
DRAWING NO	FC20-AD12		
PART NAME	Seat Pad Adjustable Set		
PART NO	1000404511 <small>REV D</small>		
APPROVE	S.T.C	DATE	20201109



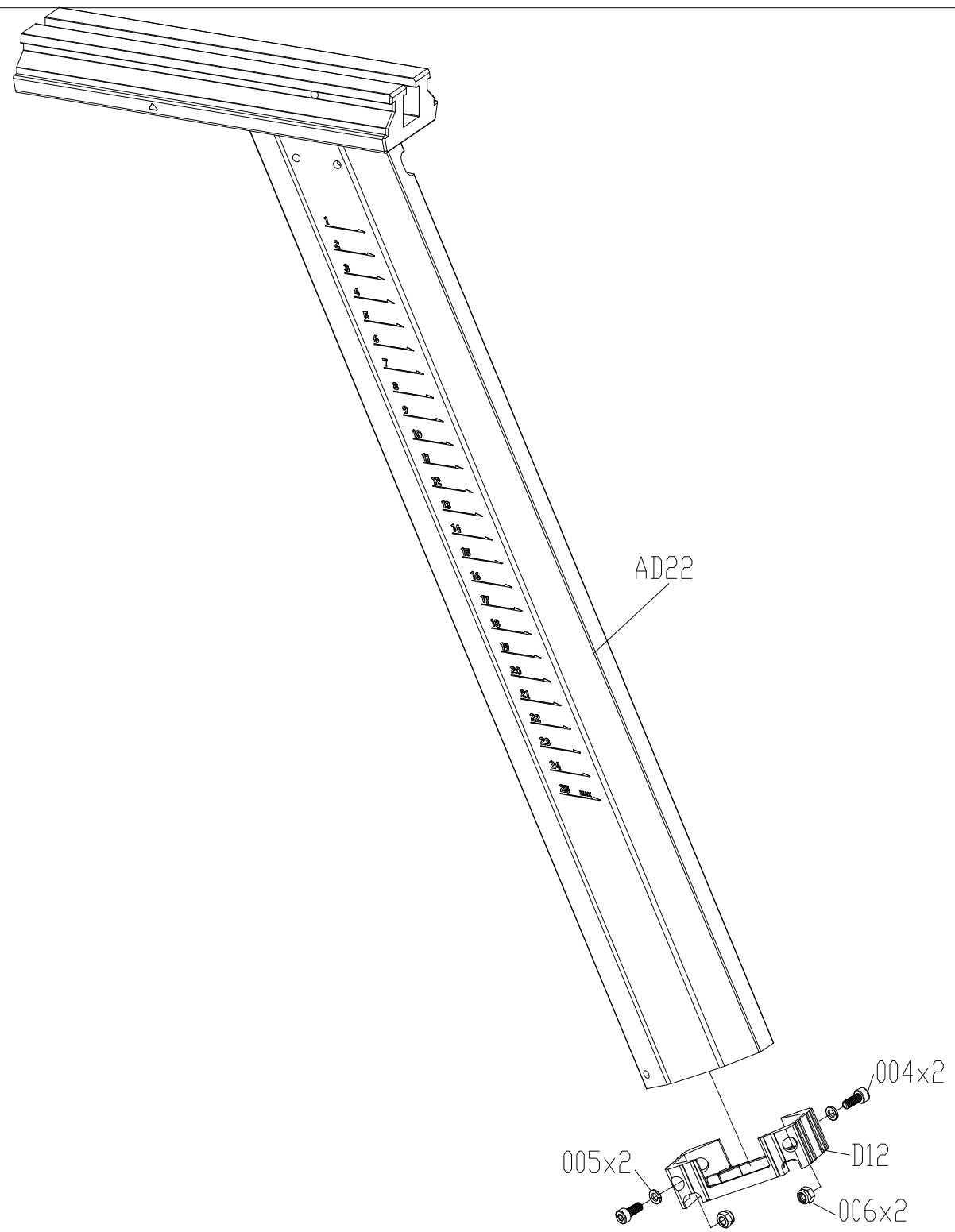
DRAWING NO	FC27-AD14		
PART NAME	ADJUSTABLE HANDLE GROUP;CUSHIONS		
PART NO	1000448603	REV	D
APPROVE	BLAZER	DATE	111620



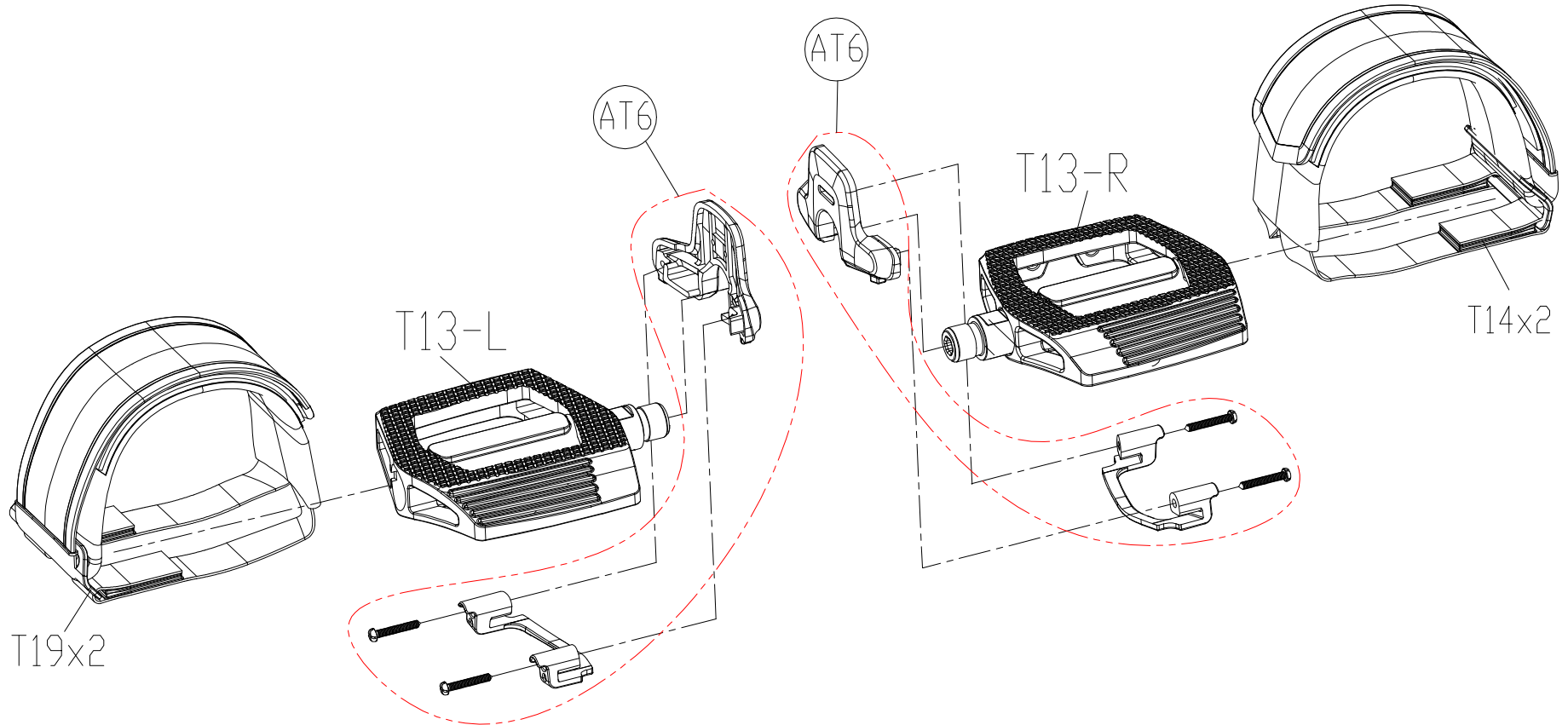
DRAWING NO	FC26-AN1		
PART NAME	Console set;Semi-Assy		
PART NO	1000407073 G		
APPROVE	S.T.C	DATE	20200327



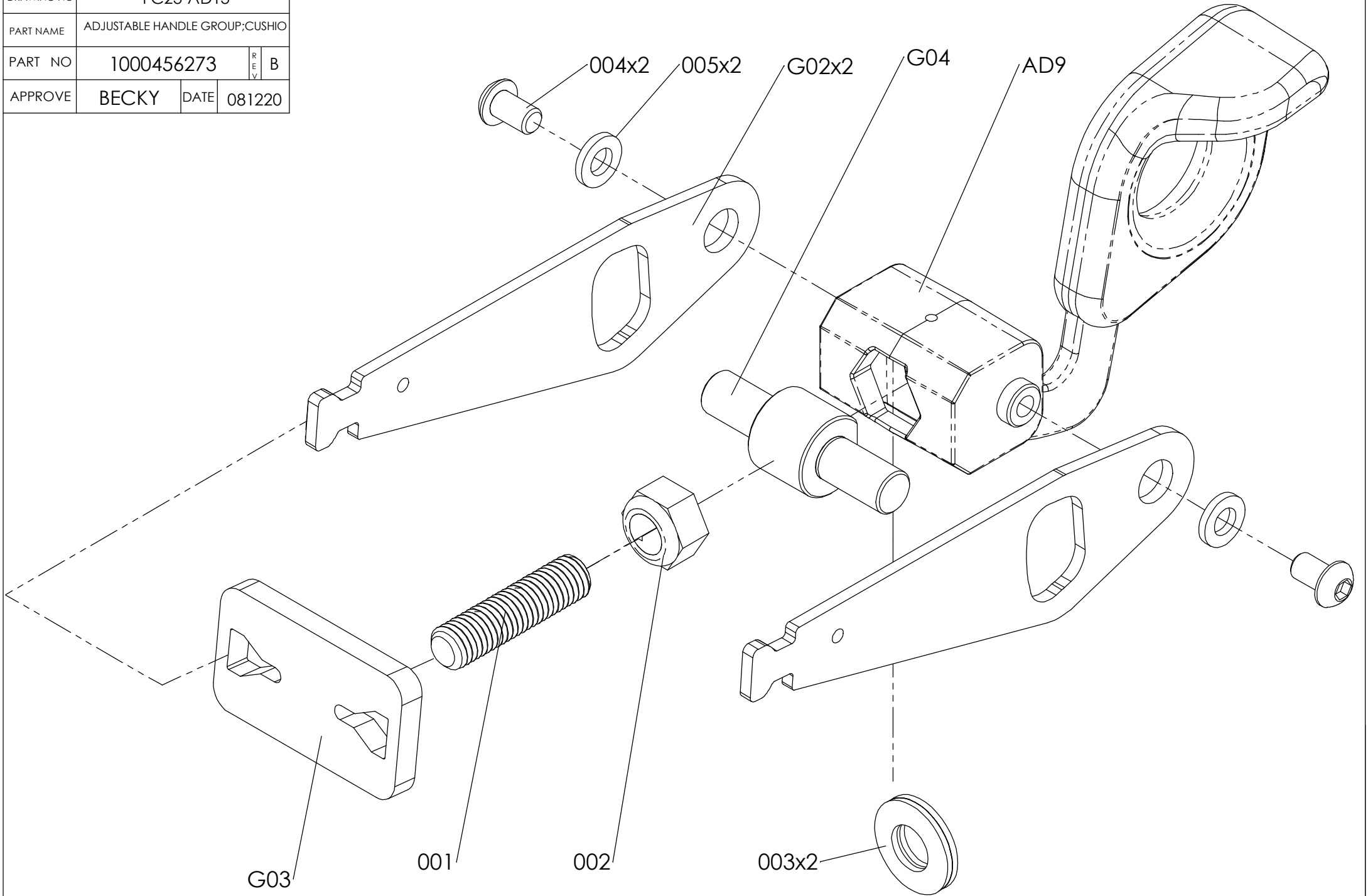
DRAWING NO	FC24-AD25		
PART NAME	Handlebar Set; Fixing		
PART NO	1000448479	REV	B
APPROVE	Benson	DATE	20191219



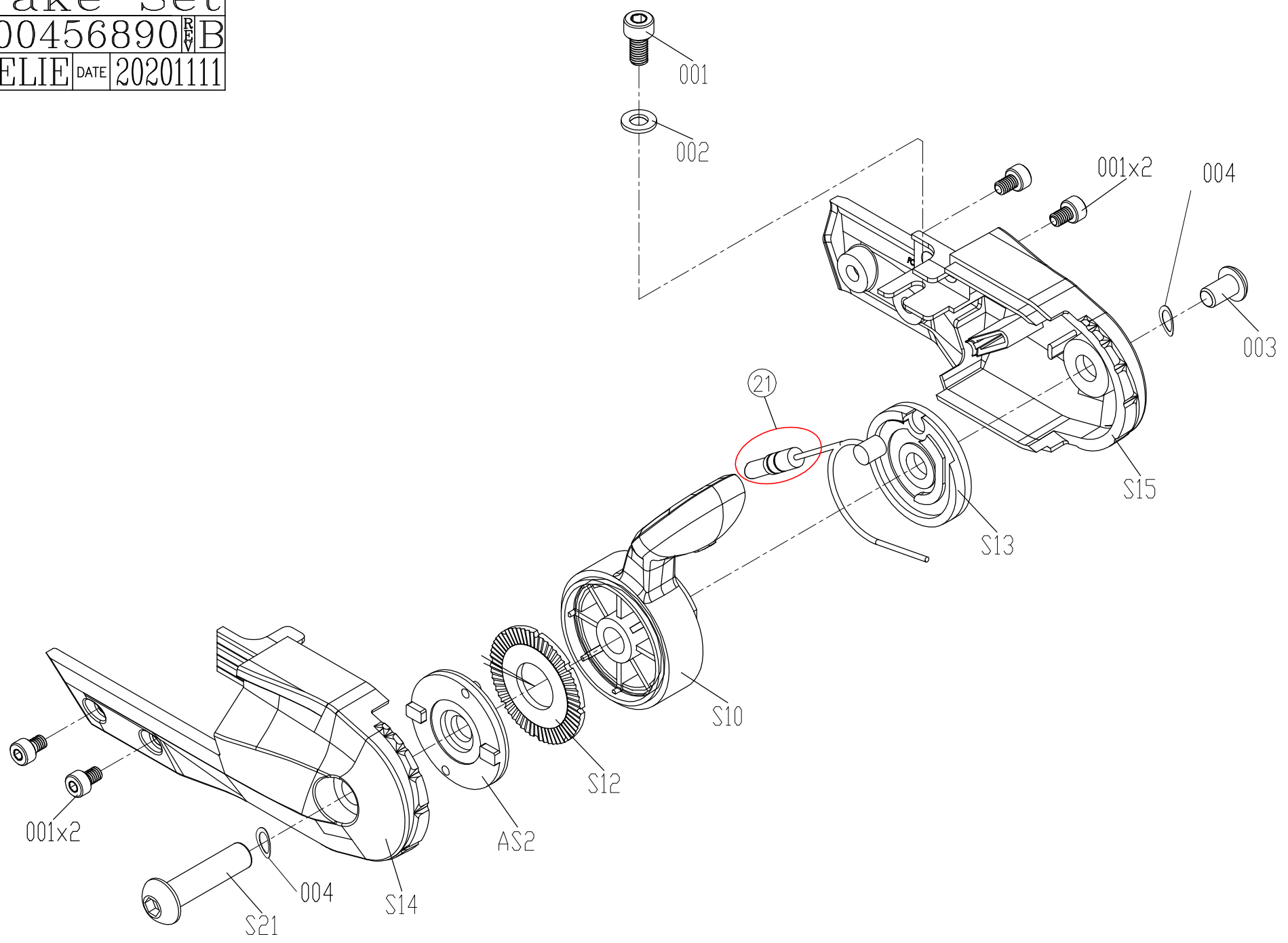
DRAWING NO	FC24C-AT3		
PART NAME	Pedal set;VP-S5		
PART NO	1000441923	REV	B
APPROVE	Benson	DATE	20190613



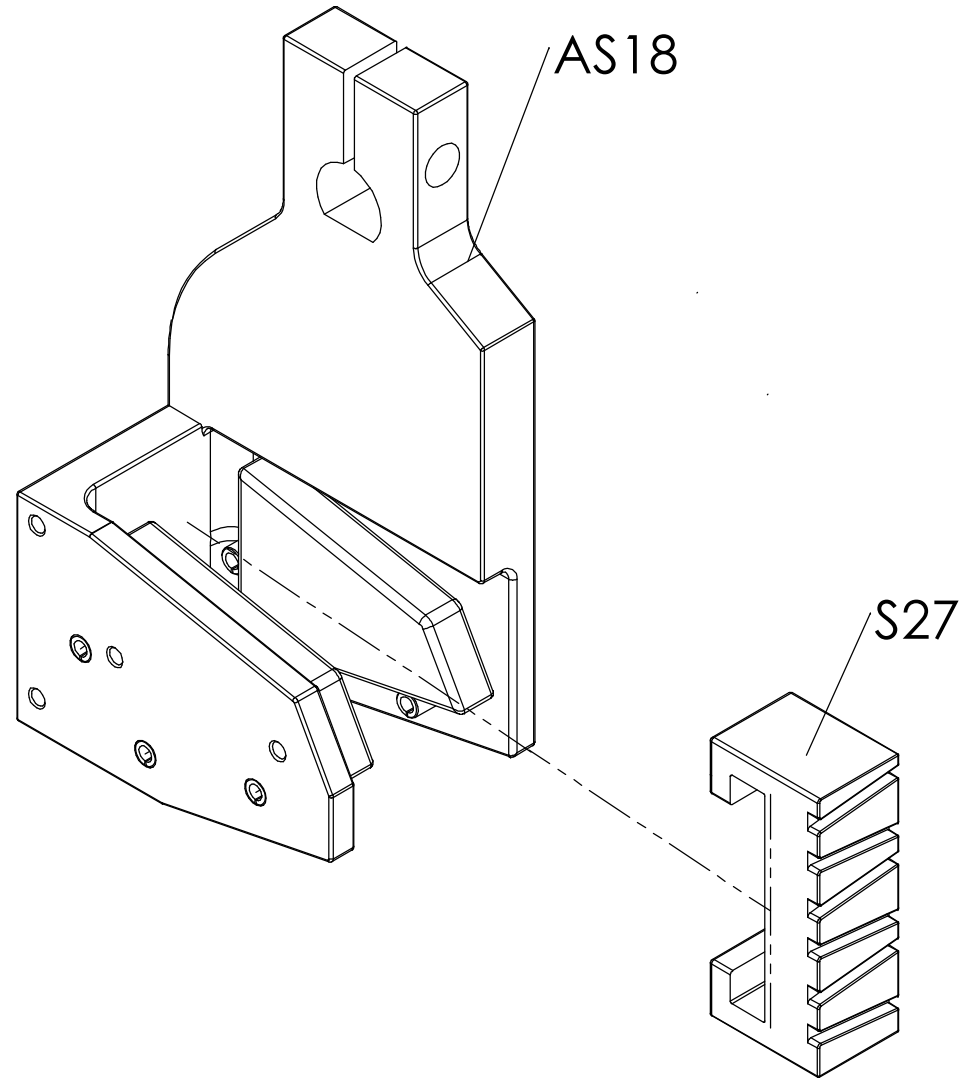
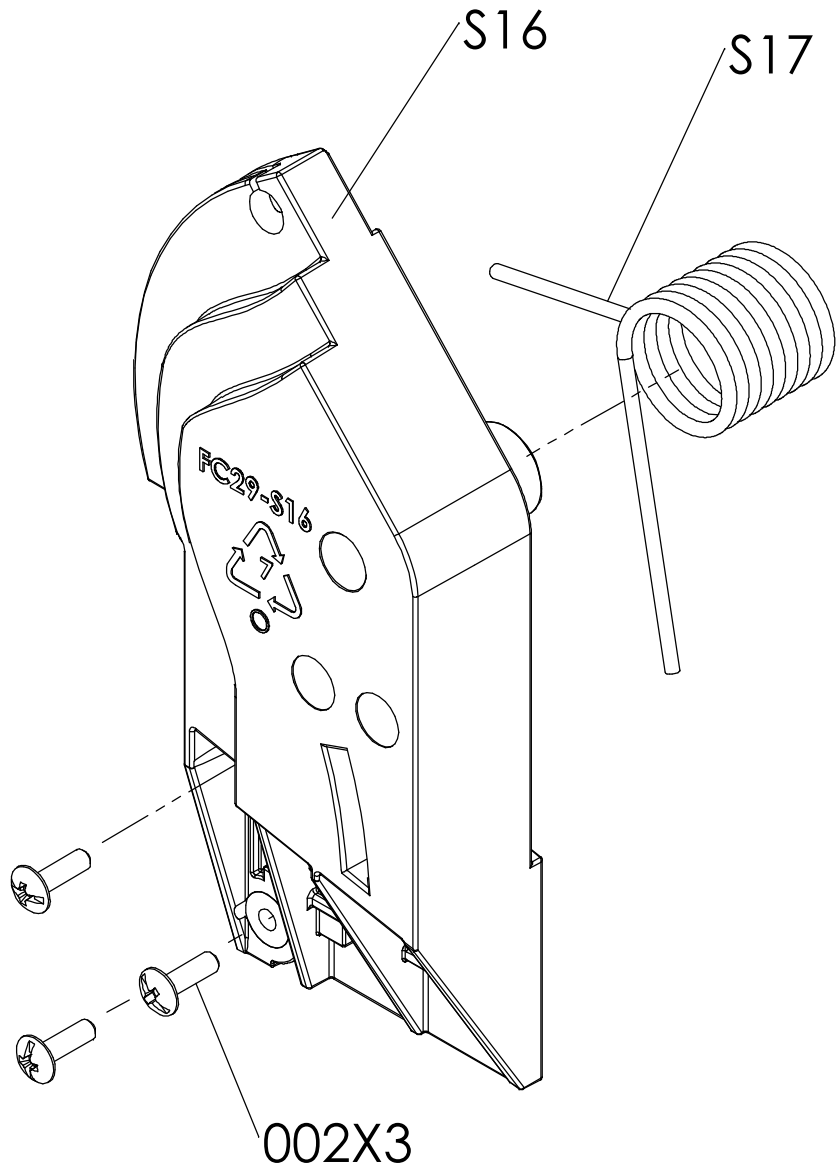
DRAWING NO	FC23-AD13		
PART NAME	ADJUSTABLE HANDLE GROUP;CUSHIO		
PART NO	1000456273	REV	B
APPROVE	BECKY	DATE	081220



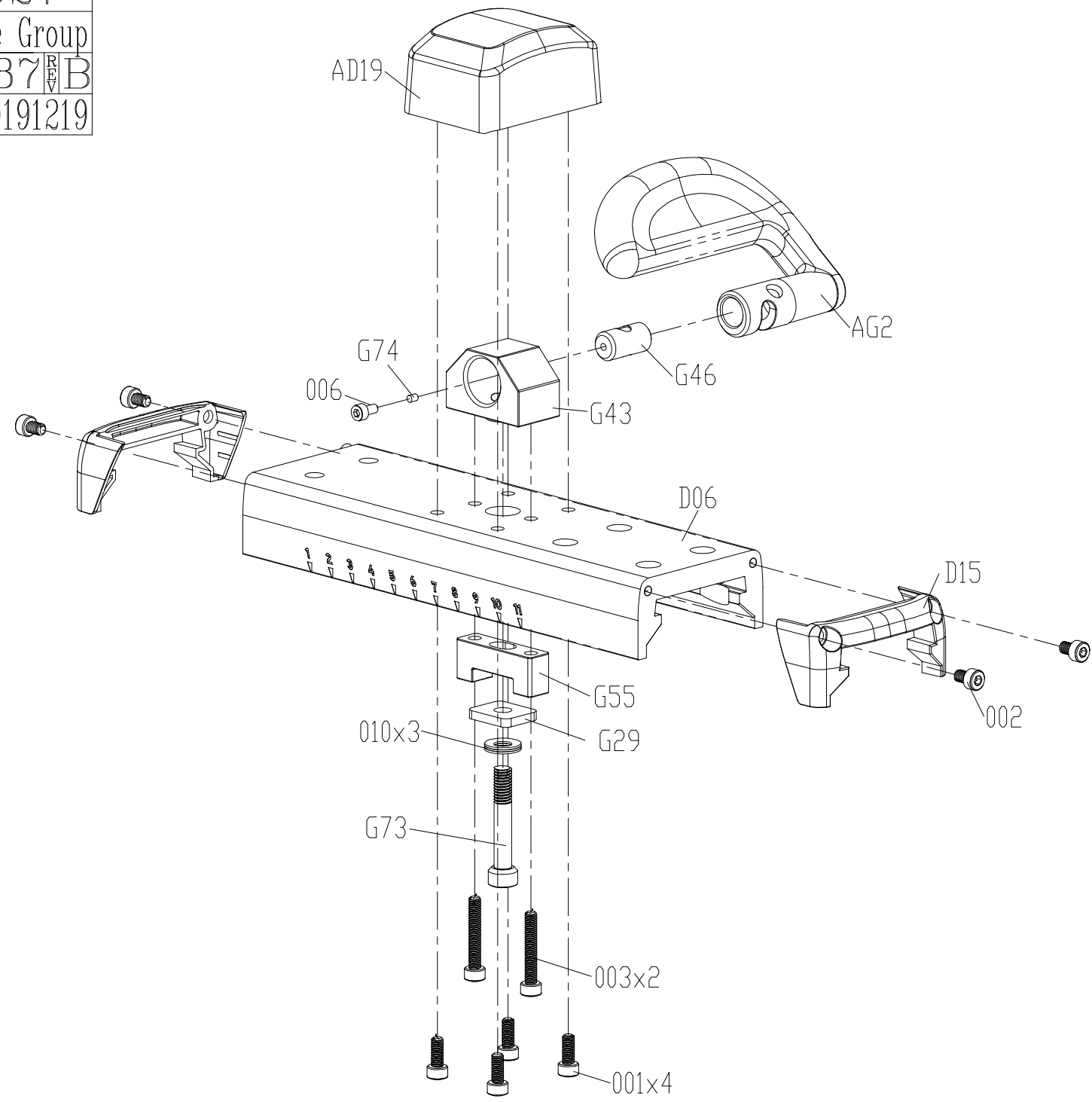
DRAWING NO	FC29-AS1		
PART NAME	Brake Set		
PART NO	1000456890 B		
APPROVE	AMELIE	DATE	20201111



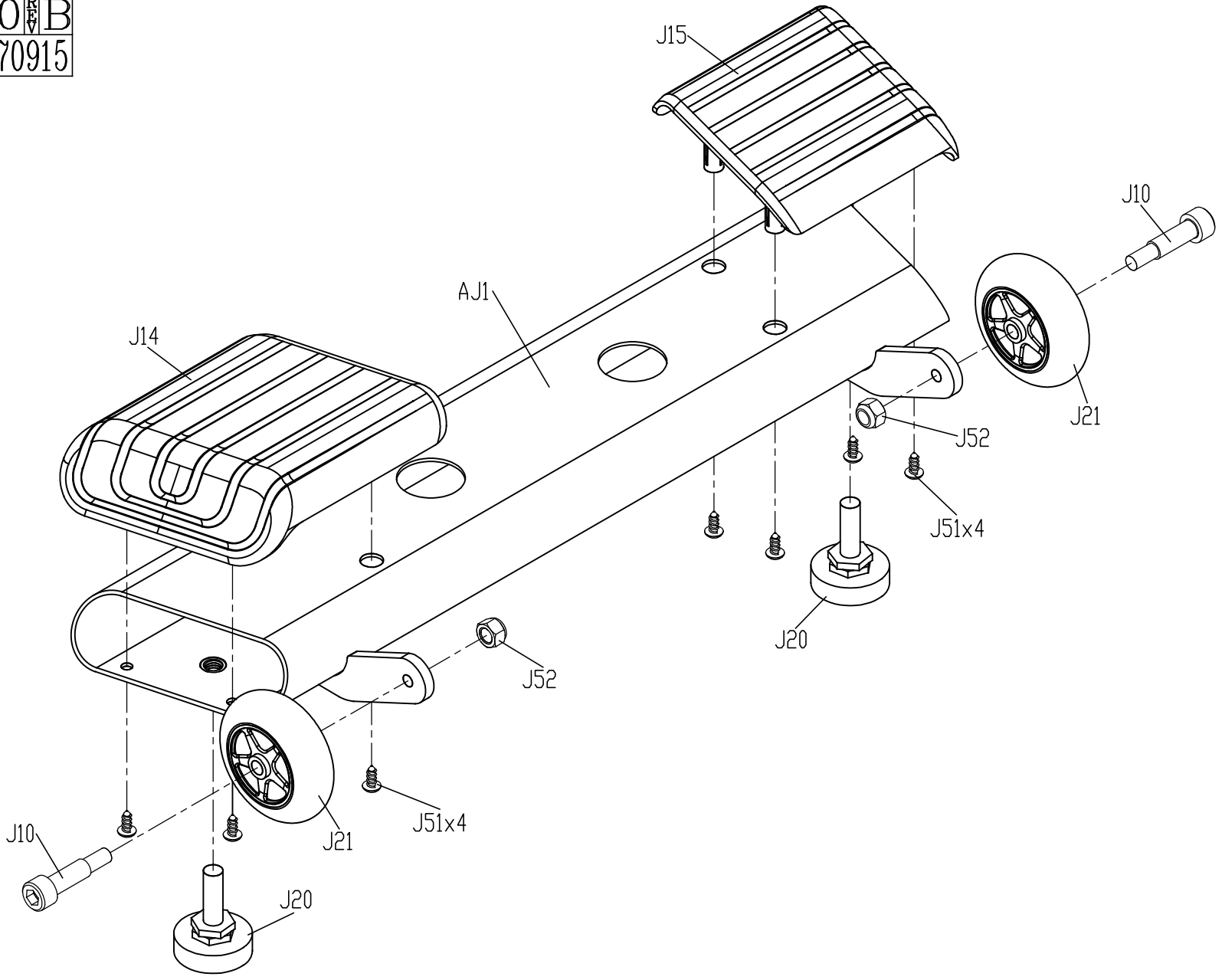
DRAWING NO	FC29-AS16		
PART NAME	ECB GENERATOR SET		
PART NO	1000456891	REV	D
APPROVE	AMELIE	DATE	050521



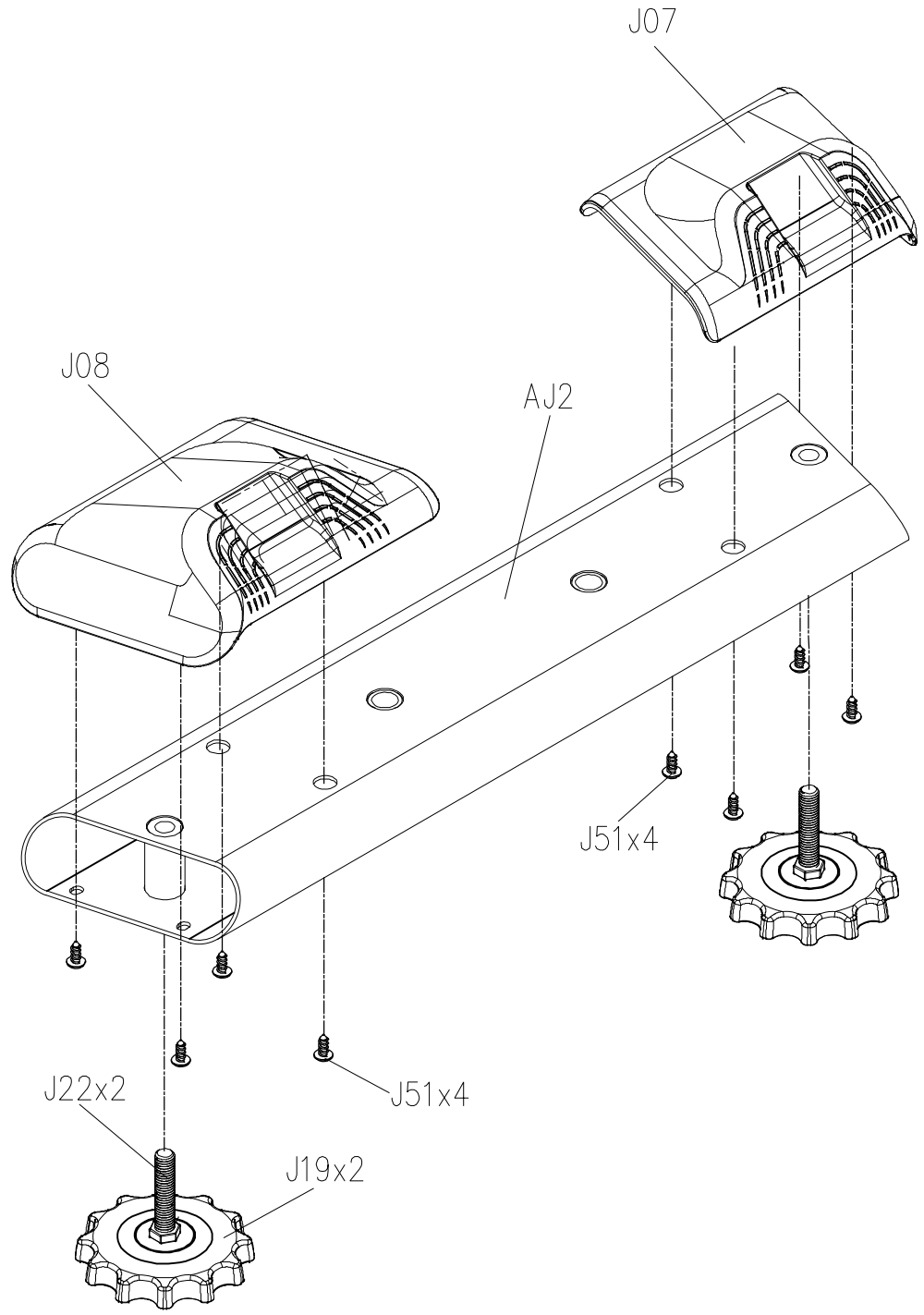
DRAWING NO	FC24-AD27		
PART NAME	Adjustable Handle Group		
PART NO	1000448487	REV	B
APPROVE	Benson	DATE	20191219



DRAWING NO	FC20-AJ11		
PART NAME	Stabilizer Tube Set;front		
PART NO	1000411450 B		
APPROVE	Benson	DATE	20170915



DRAWING NO	FC24-AJ12		
PART NAME	Stabilizer Tube Set:back		
PART NO	1000411484REV A		
APPROVE	Benson	DATE	20180202



DRAWING NO	FC29-AR11		
PART NAME	TRANSMISSION SET		
PART NO	1000456874	REV	A
APPROVE	AMELIE	DATE	100820

