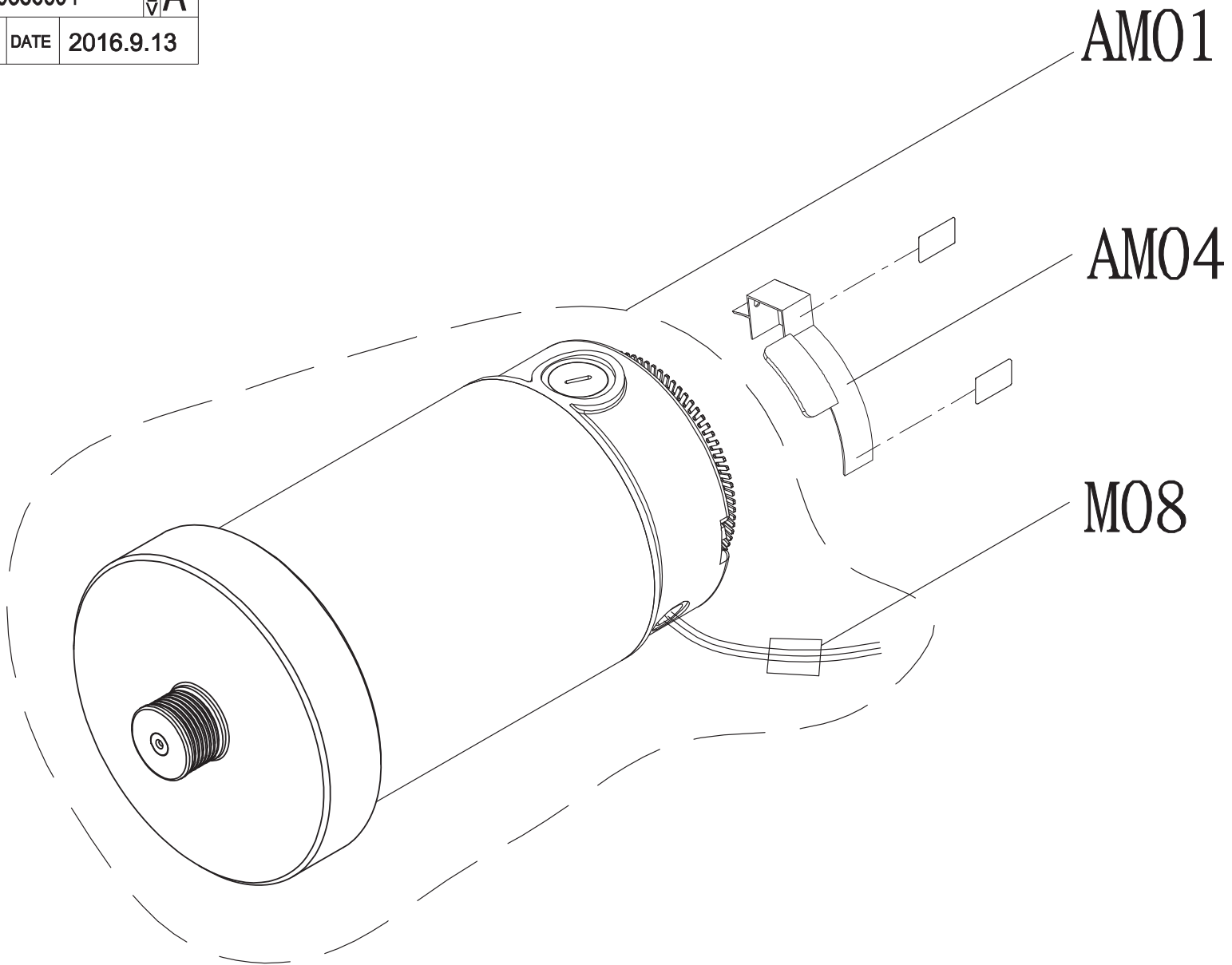
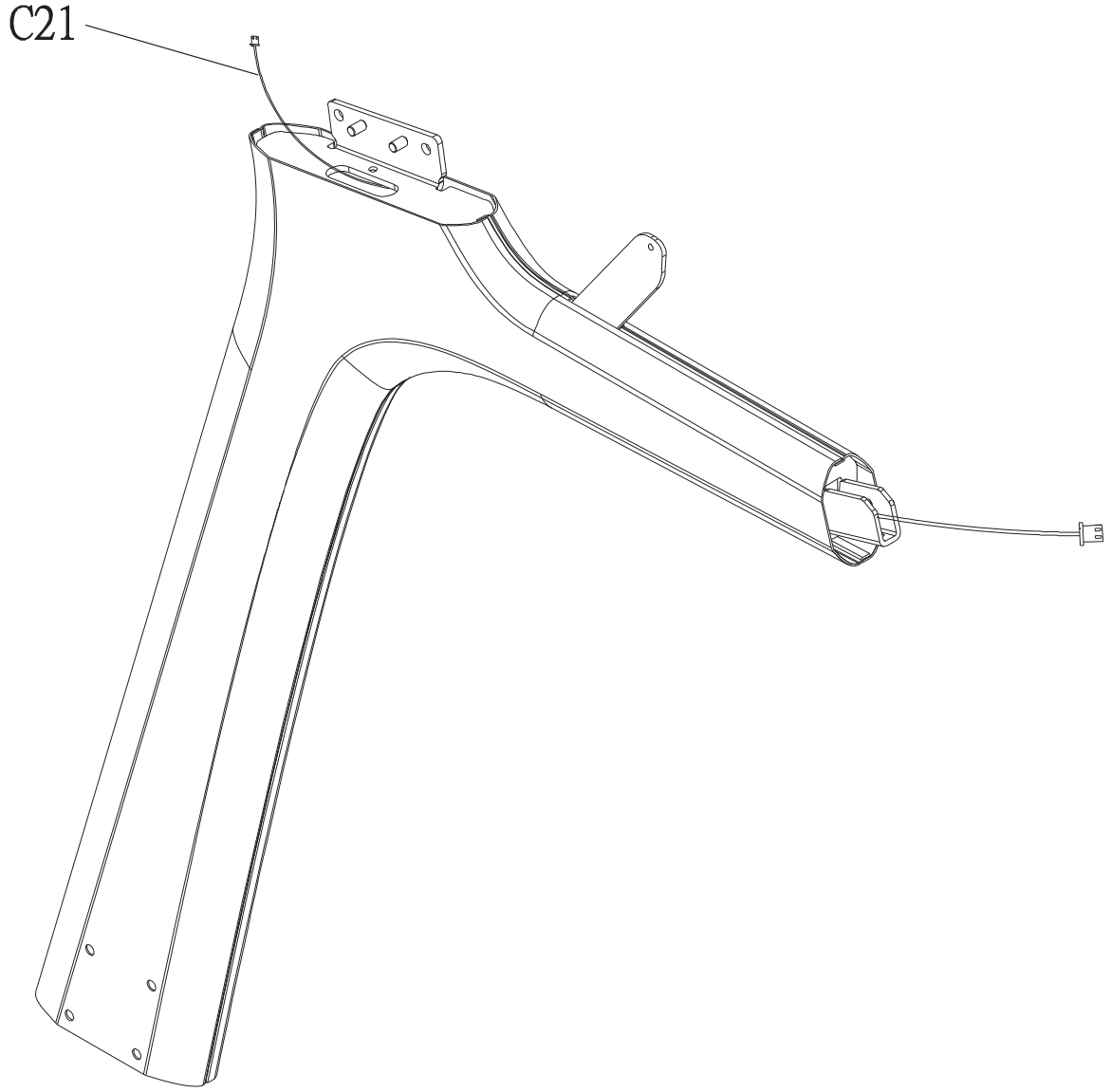


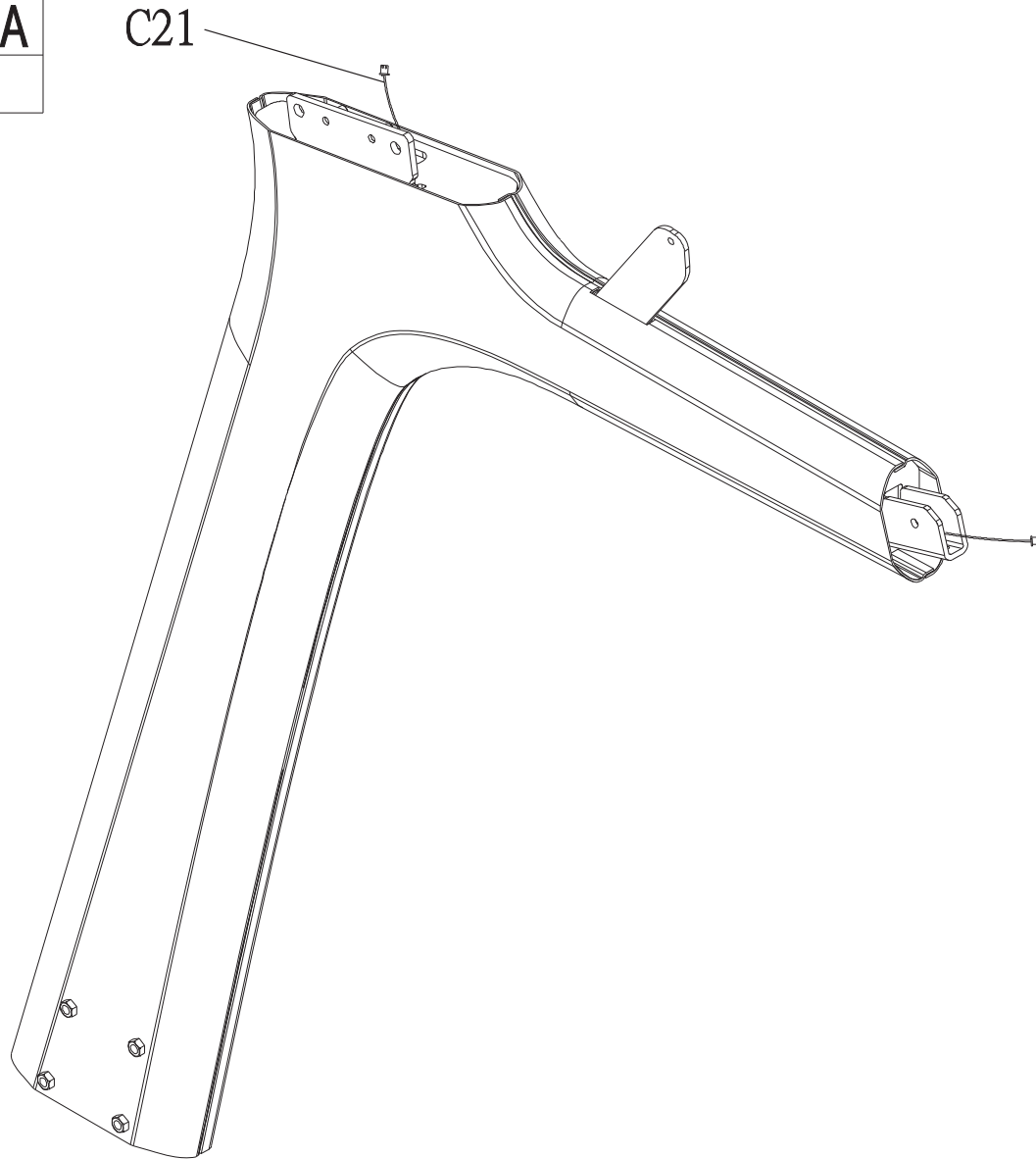
DRAWING NO	TM694-A11		
PART NAME	Motor set		
PART NO	1000386694	REV	A
APPROVE	Xiongjiawei	DATE	2016.9.13



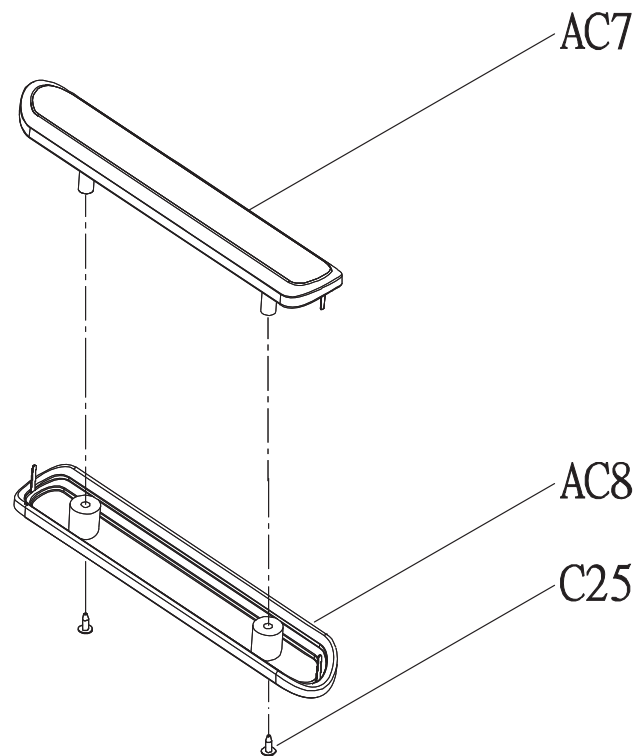
DRAWING NO	TM694-A19		
PART NAME	Console mast set		
PART NO	1000389370	REV	A
APPROVE	Xiongjiawei	DATE	2016.9.2



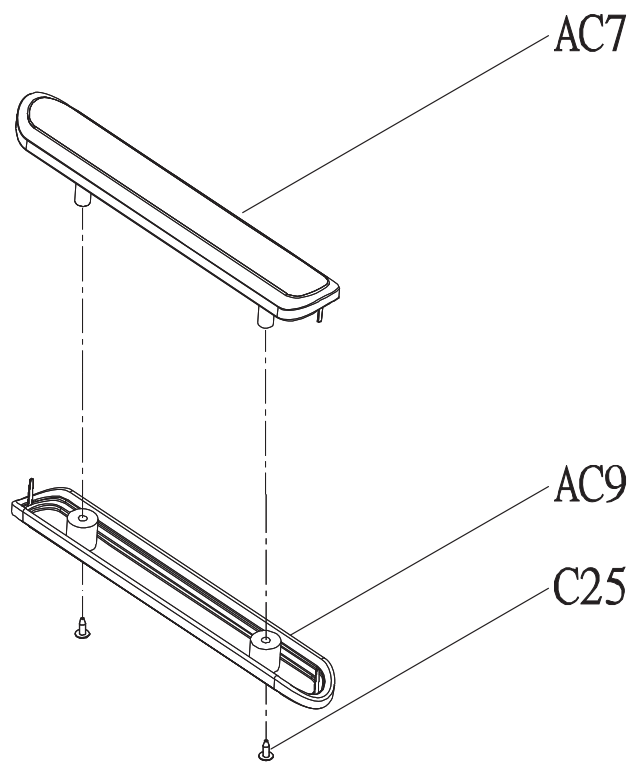
DRAWING NO	TM694-A20		
PART NAME	Console mast set		
PART NO	1000389371	REV	A
APPROVE	Xiongjiawei	DATE	2016.9.2



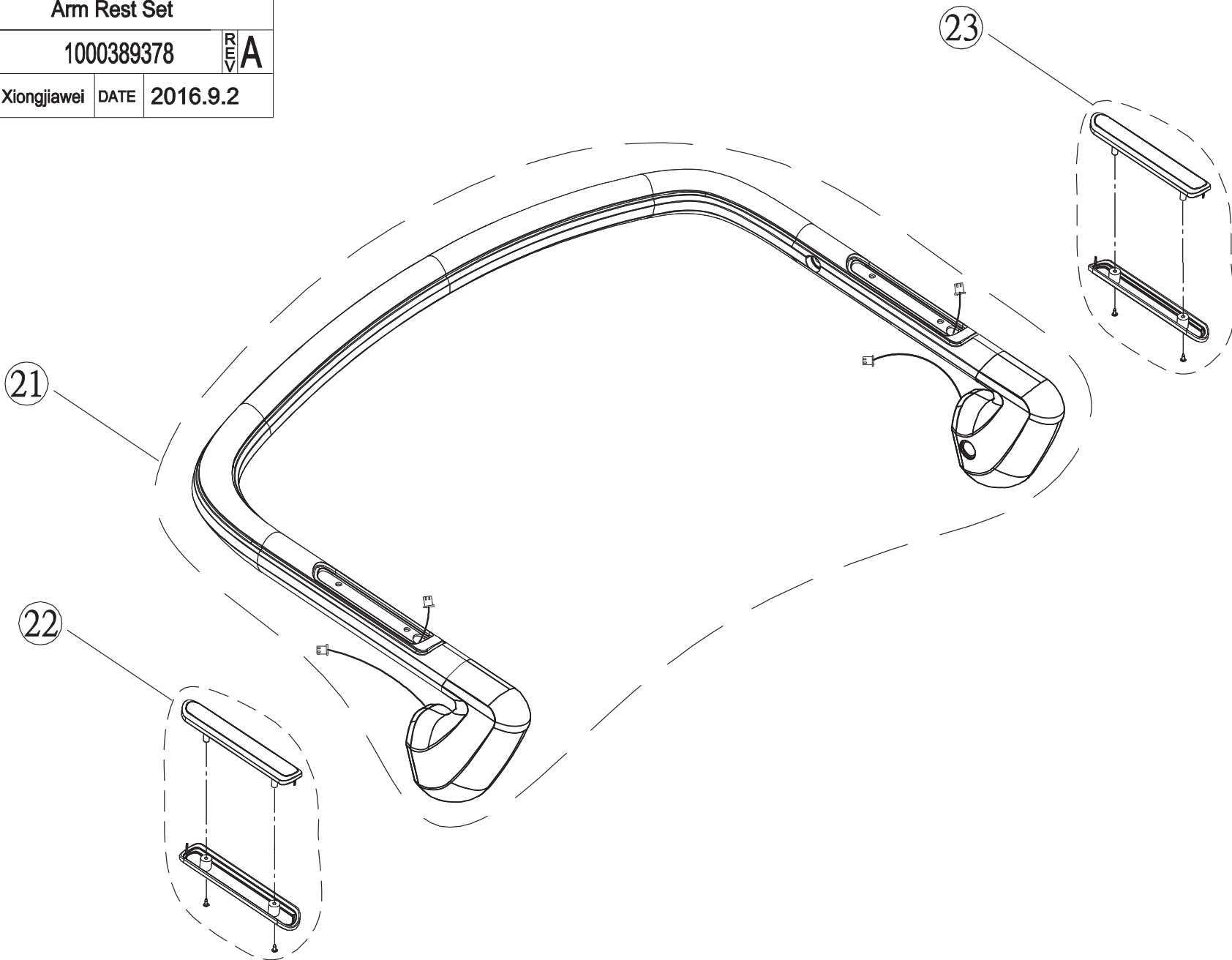
DRAWING NO	TM694-A21		
PART NAME	Pulse sensor set		
PART NO	1000389376	REV A	
APPROVE	Xiongjiawei		DATE



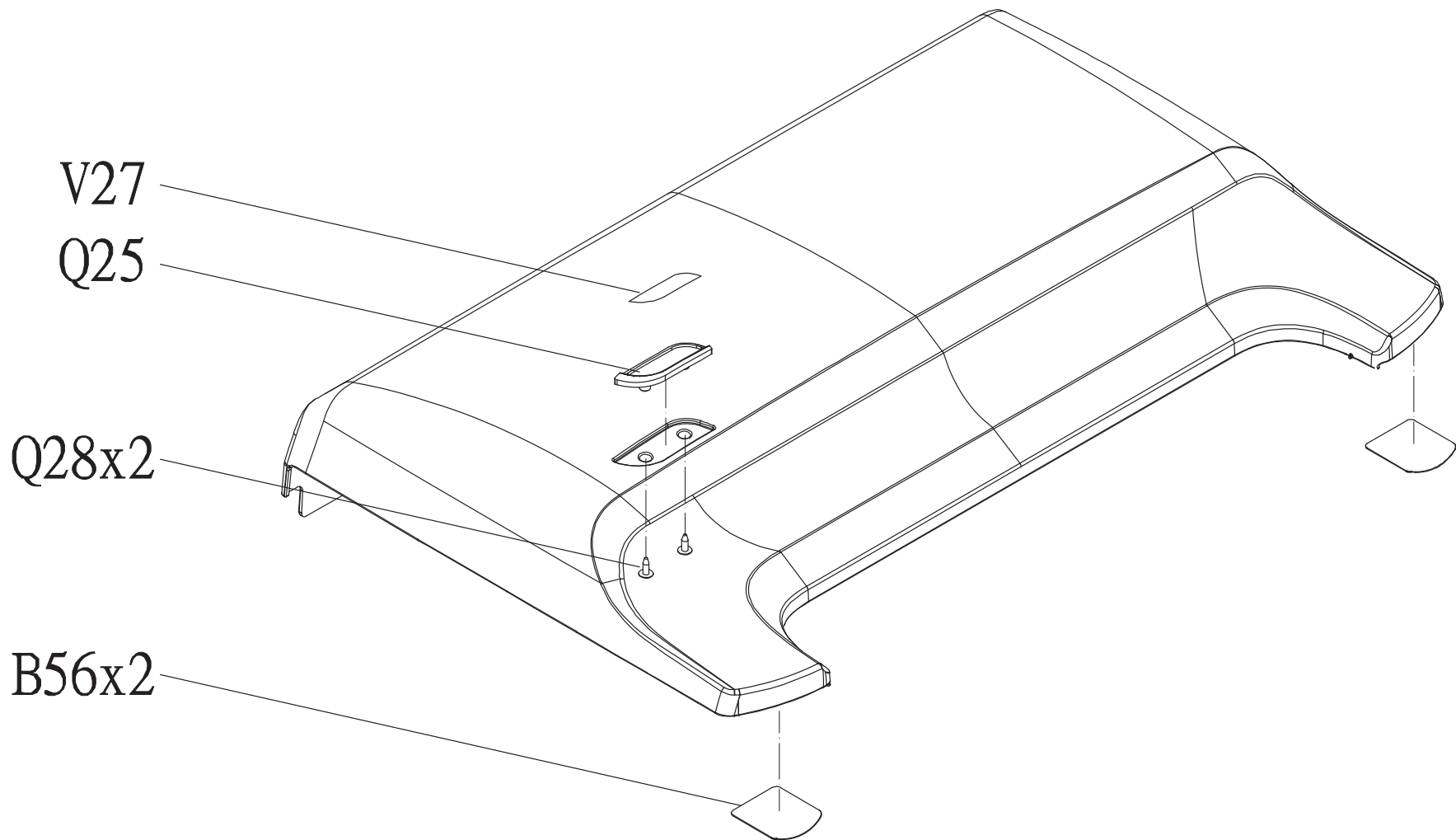
DRAWING NO	TM694-A22		
PART NAME	Pulse sensor set		
PART NO	1000389377	REV	A
APPROVE	Xiongjiawei	DATE	2016.9.2



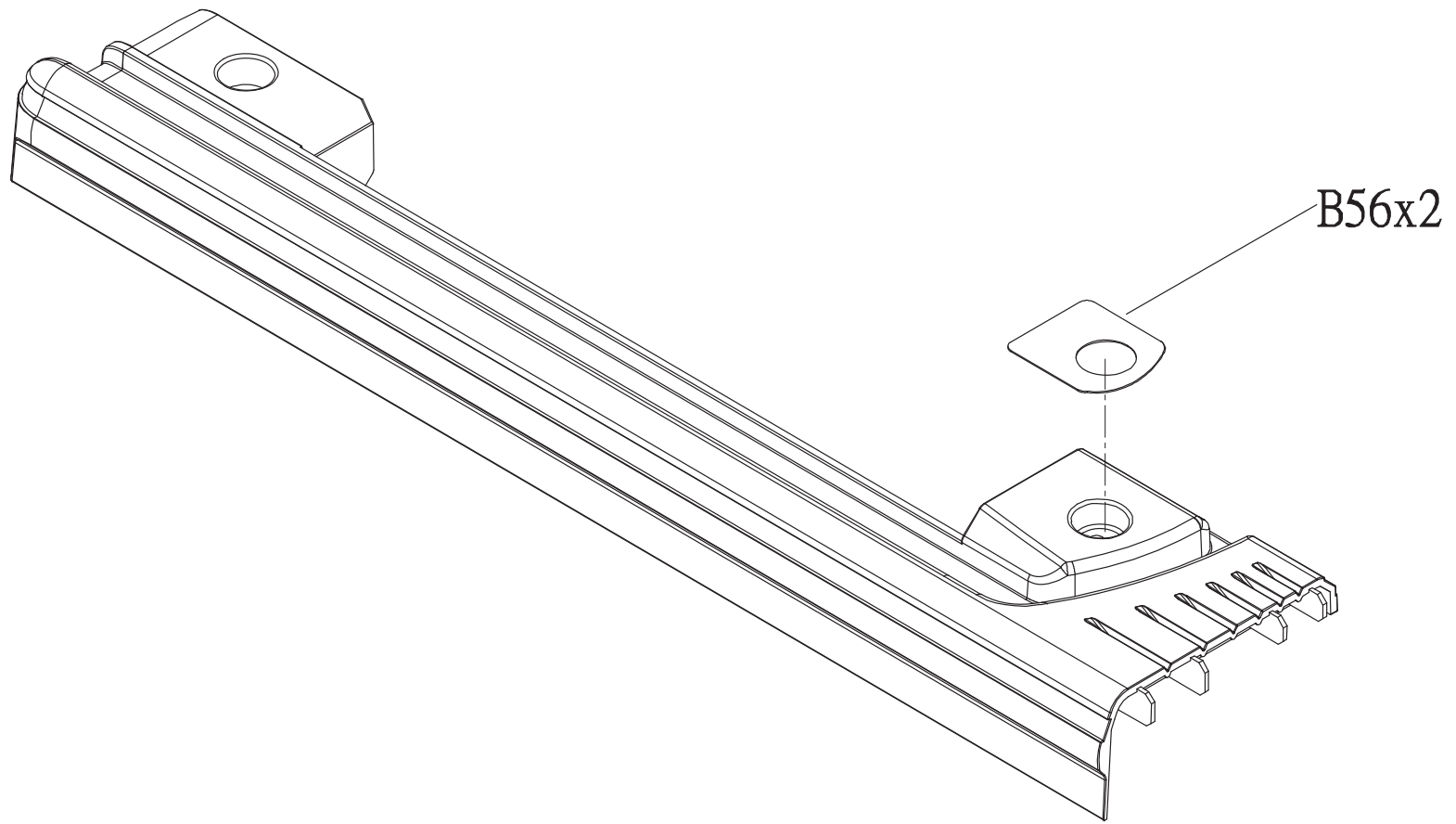
DRAWING NO	TM694-A23		
PART NAME	Arm Rest Set		
PART NO	1000389378	REV	A
APPROVE	Xiongjiawei	DATE	2016.9.2



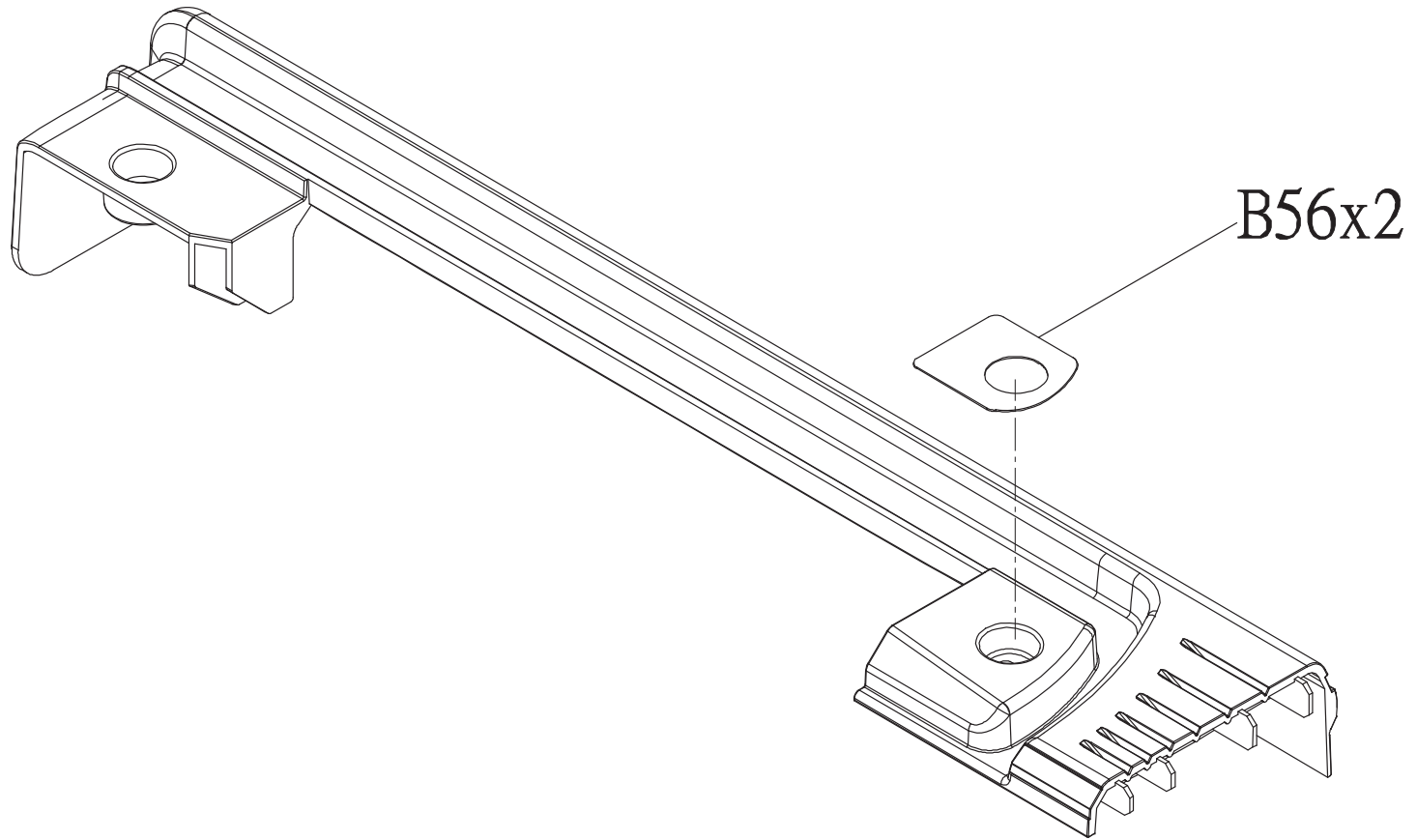
DRAWING NO	TM694-A26		
PART NAME	Motor cover set		
PART NO	1000393903	REV	A
APPROVE	Xiongjiawei	DATE	2016.9.2



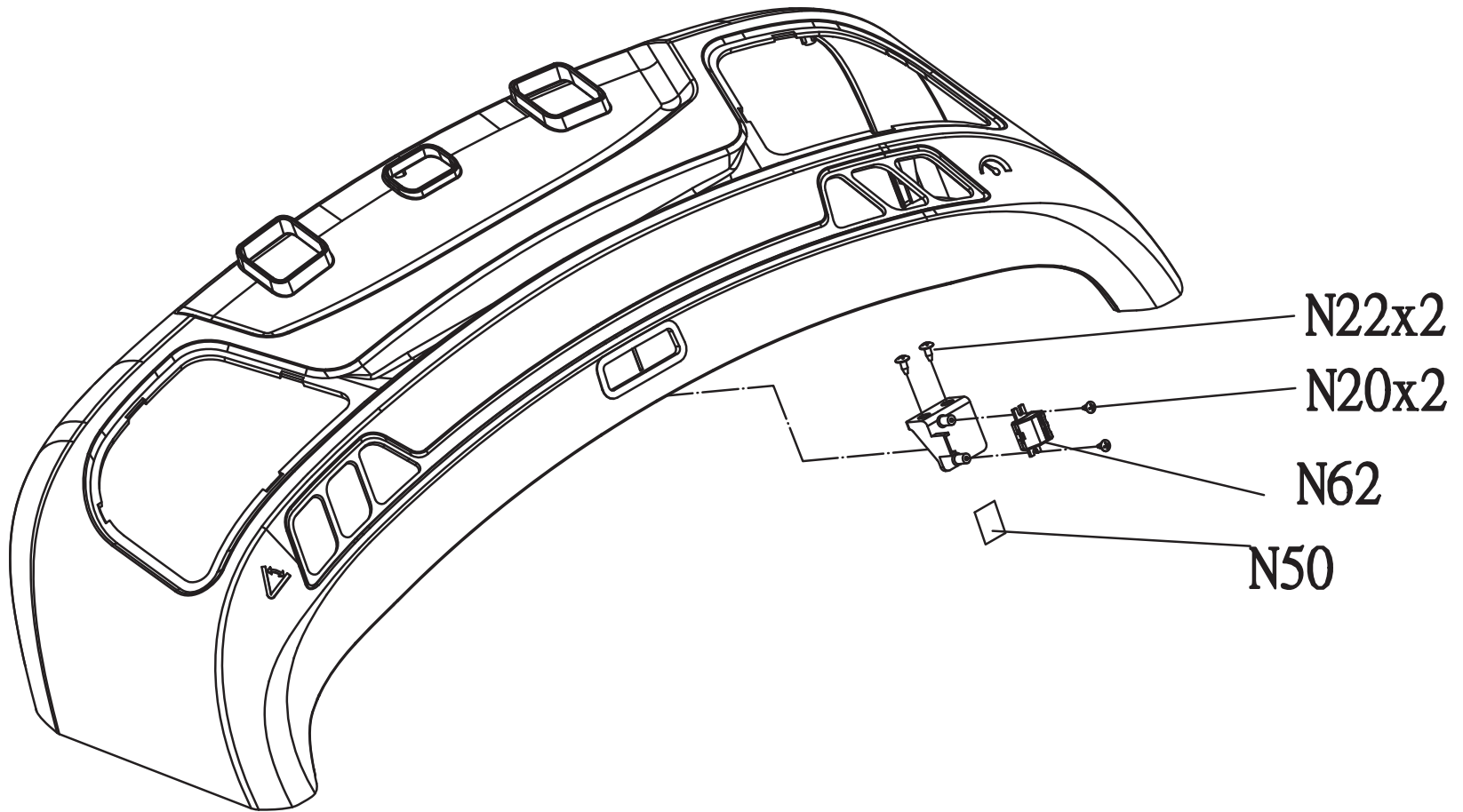
DRAWING NO	TM694-A28		
PART NAME	Front cover;L		
PART NO	1000393904	REV	A
APPROVE	Xiongjiawei	DATE	2016.9.2



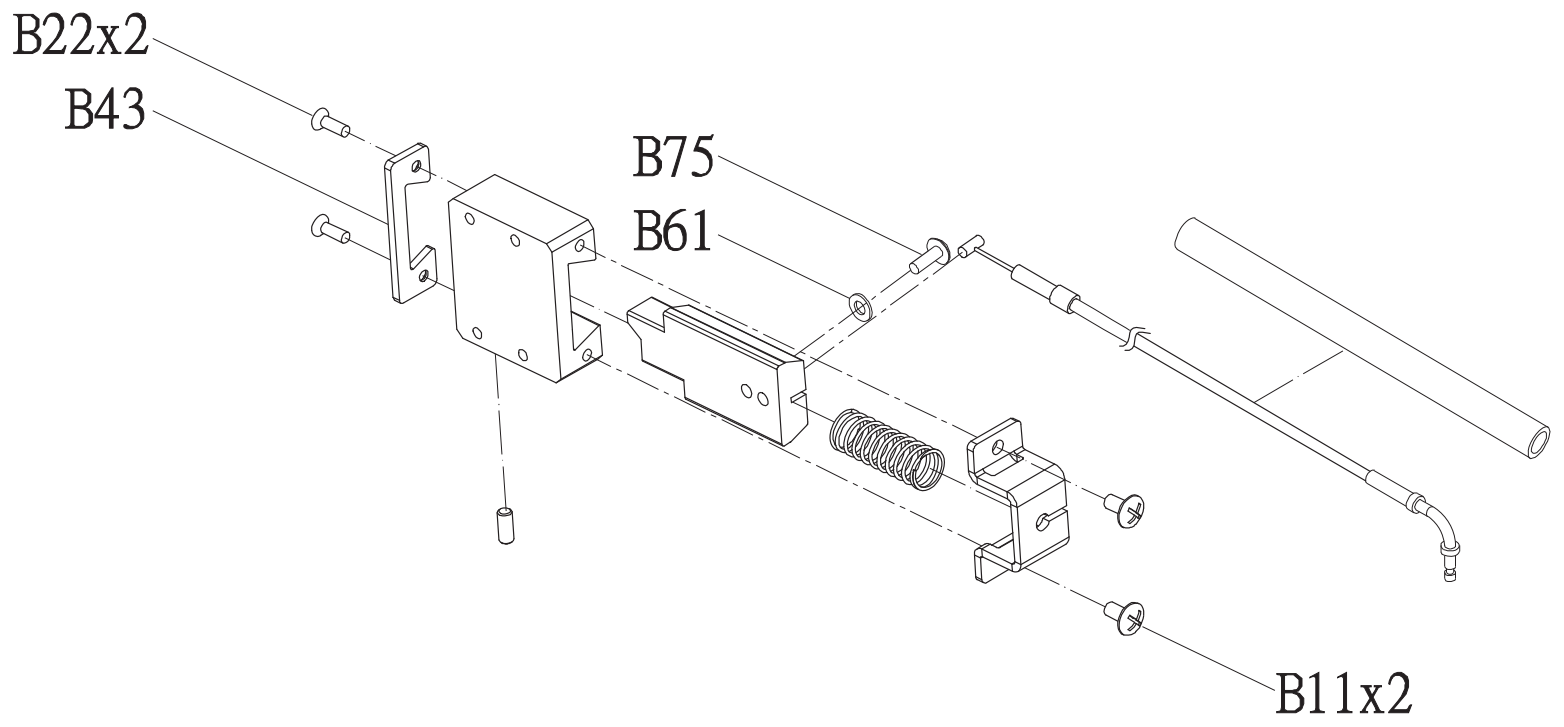
DRAWING NO	TM694-A29		
PART NAME	Front cover;R		
PART NO	1000393905	REV	A
APPROVE	Xiongjiawei	DATE	2016.9.2



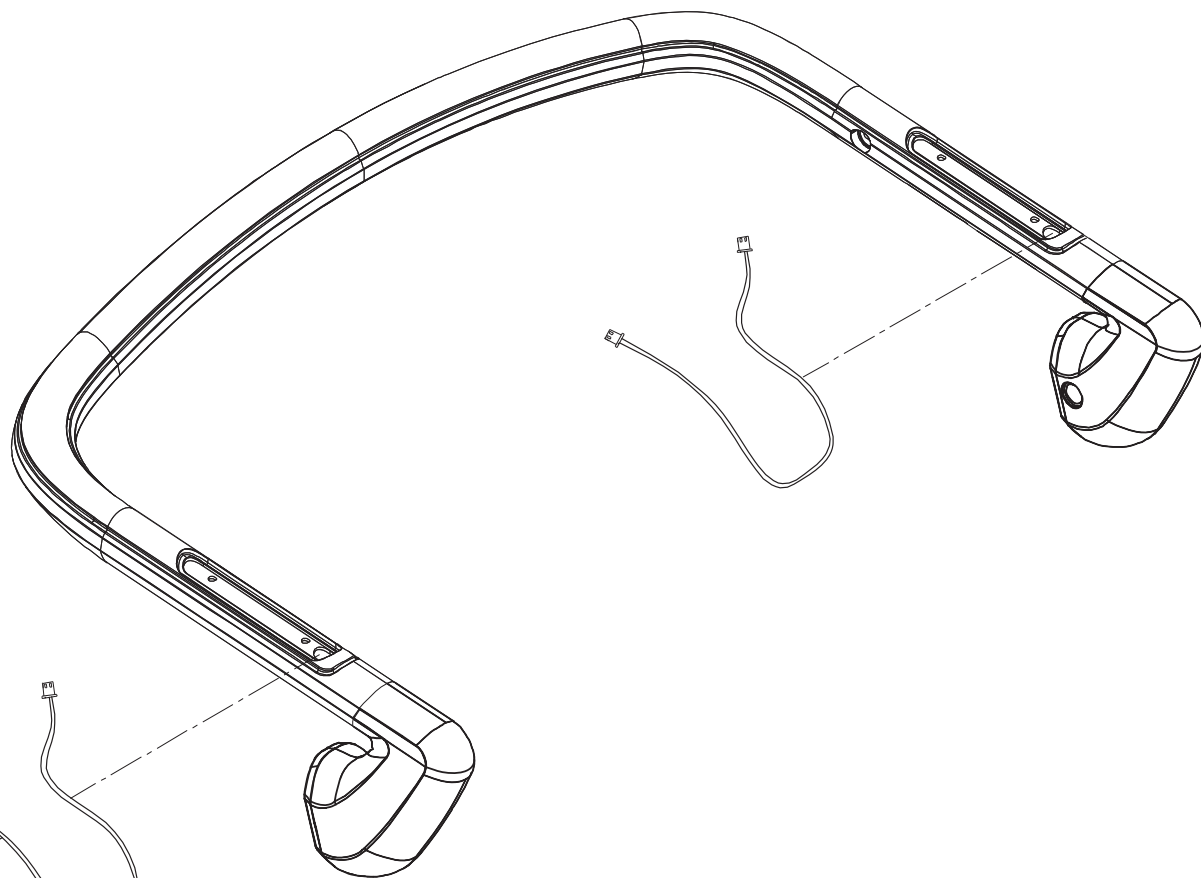
DRAWING NO	TM694-A32		
PART NAME	Console bridge plastic set		
PART NO	1000393906	REV	A
APPROVE	Xionglawei	DATE	2016.9.2



DRAWING NO	TM694-A27		
PART NAME	Slide Frame Set		
PART NO	1000393920	REV	A
APPROVE	Xiongjlawei	DATE	2016.9.2

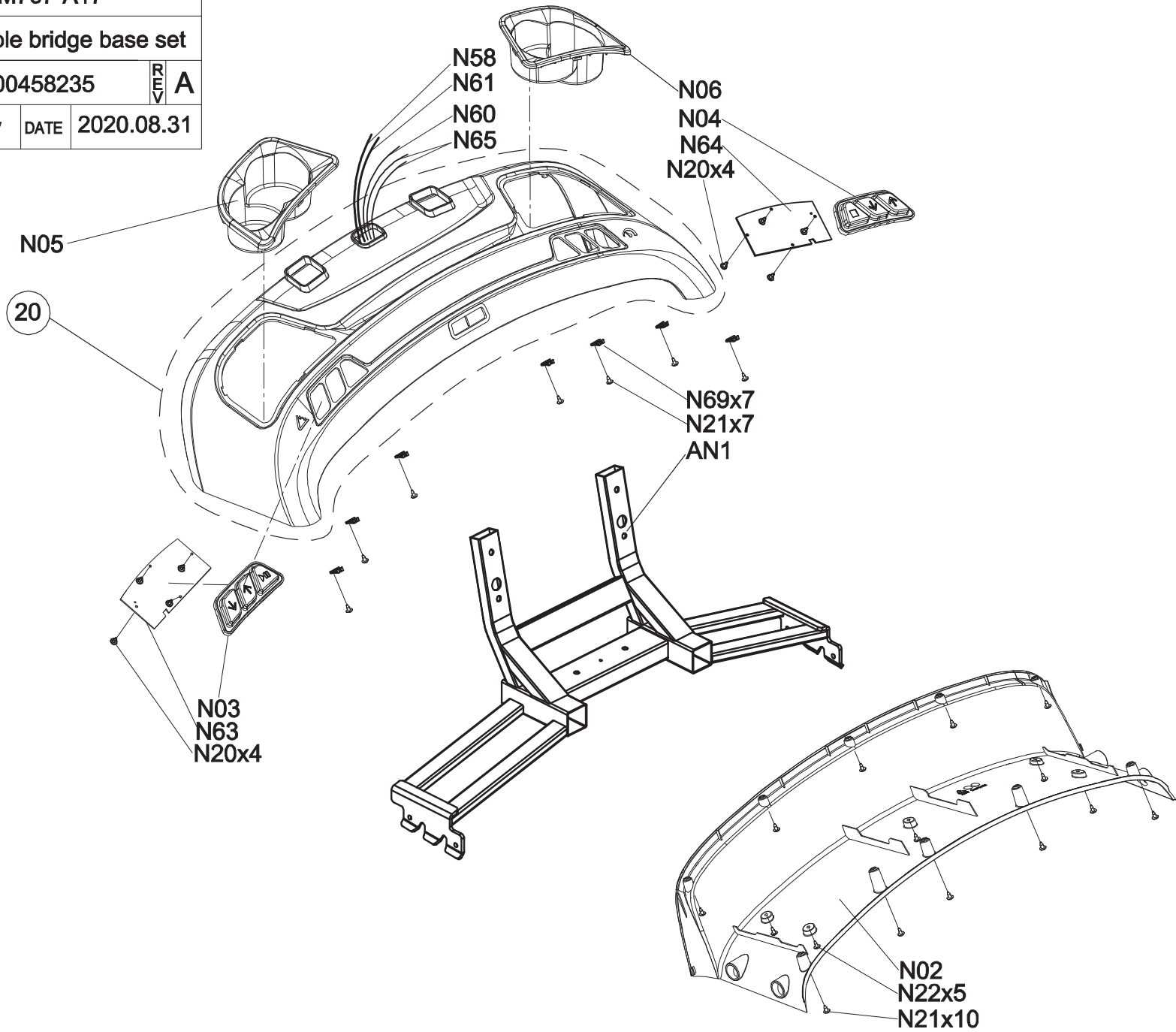


DRAWING NO	TM694-A25		
PART NAME	Arm Rest set		
PART NO	1000394170	REV	A
APPROVE	Xiongjiawei	DATE	2016.9.2



C22x2

DRAWING NO	TM767-A17		
PART NAME	Console bridge base set		
PART NO	1000458235	REV	A
APPROVE	Harvey	DATE	2020.08.31



DRAWING NO	TM768-A18		
PART NAME	Base frame set		
PART NO	1000458333	REV	A
APPROVE	Harvey	DATE	2020.09.02

