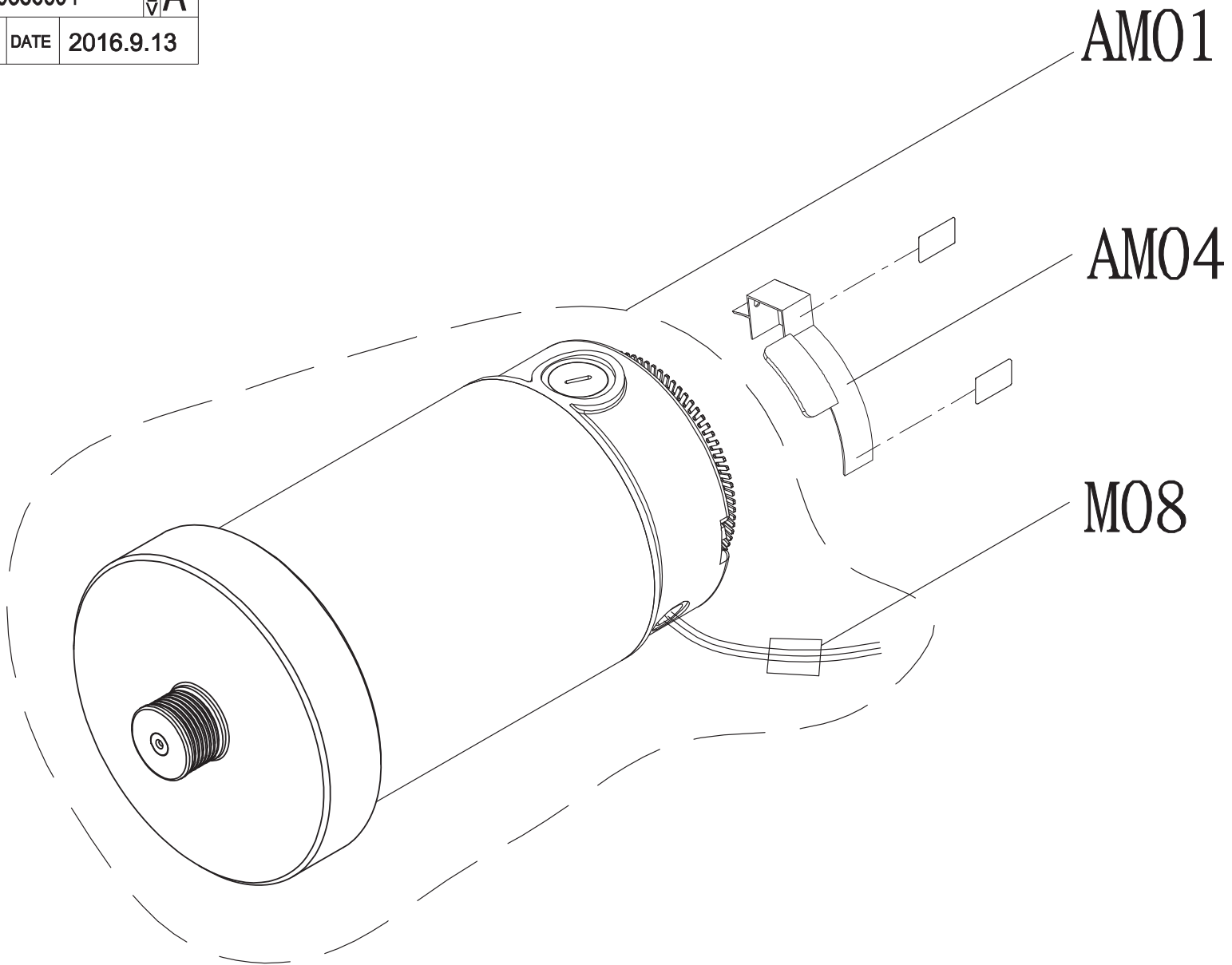
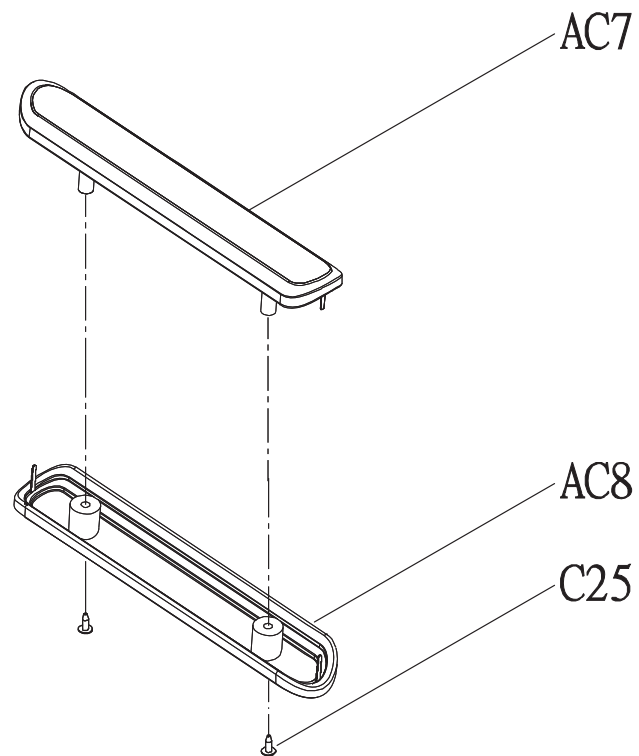


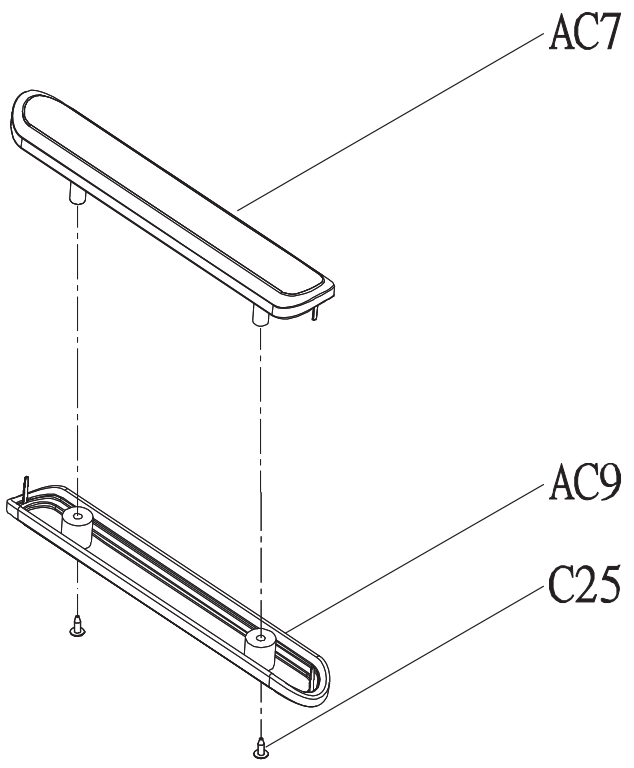
DRAWING NO	TM694-A11		
PART NAME	Motor set		
PART NO	1000386694	REV	A
APPROVE	Xiongjiawei	DATE	2016.9.13



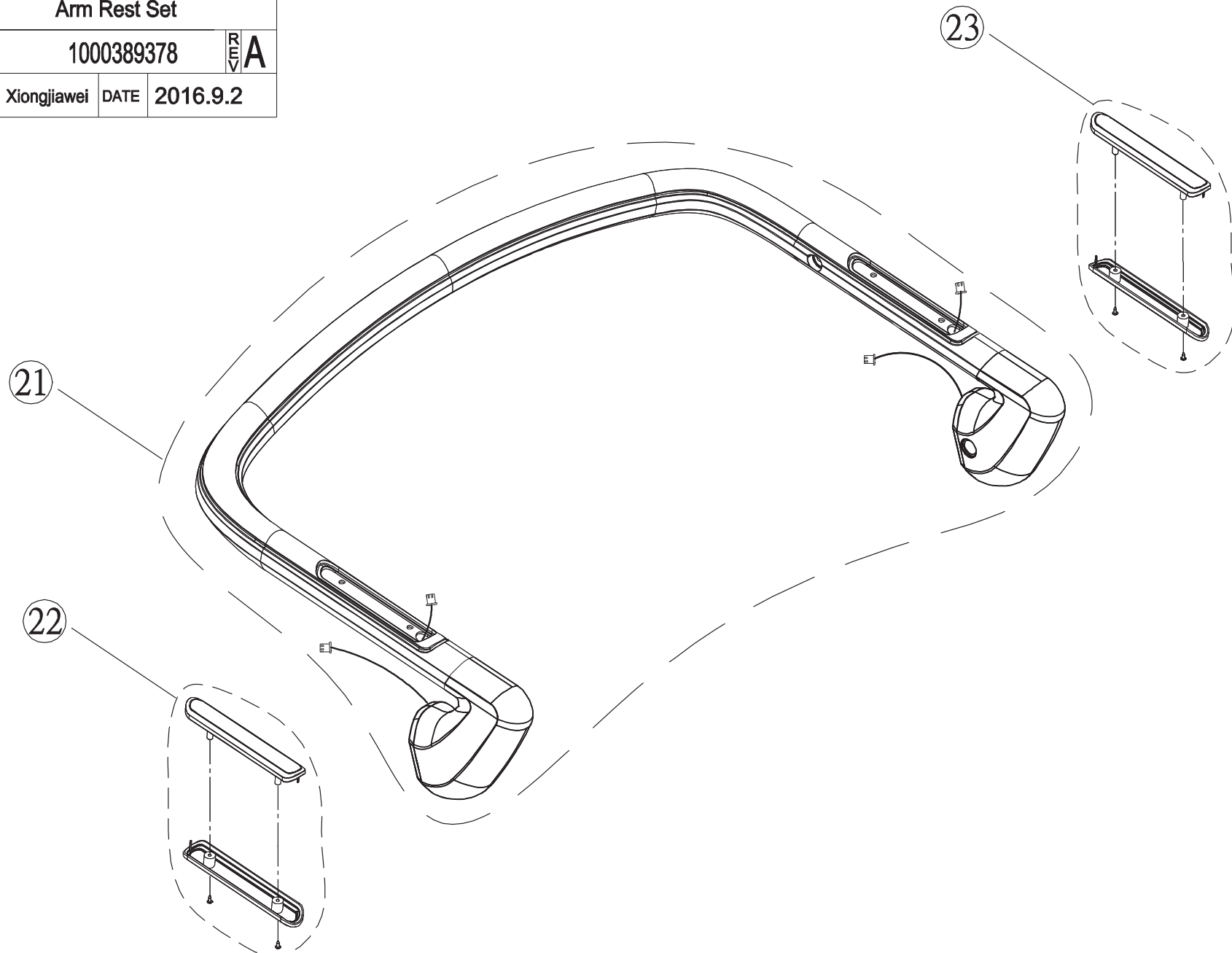
DRAWING NO	TM694-A21		
PART NAME	Pulse sensor set		
PART NO	1000389376	REV A	
APPROVE	Xiongjiawei		DATE



DRAWING NO	TM694-A22		
PART NAME	Pulse sensor set		
PART NO	1000389377	REV	A
APPROVE	Xiongjiawei	DATE	2016.9.2



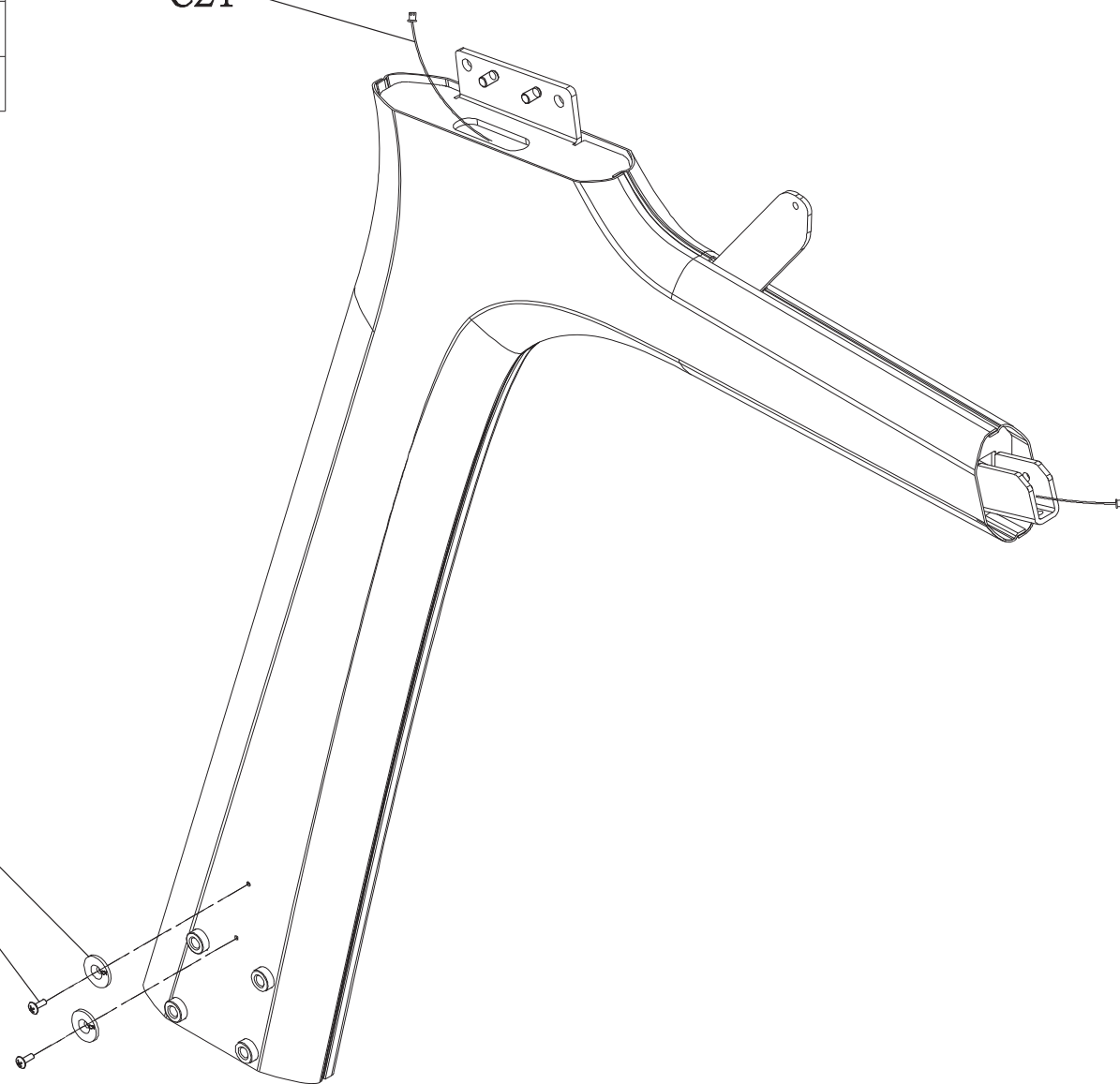
DRAWING NO	TM694-A23		
PART NAME	Arm Rest Set		
PART NO	1000389378	REV	A
APPROVE	Xiongjiawei	DATE	2016.9.2



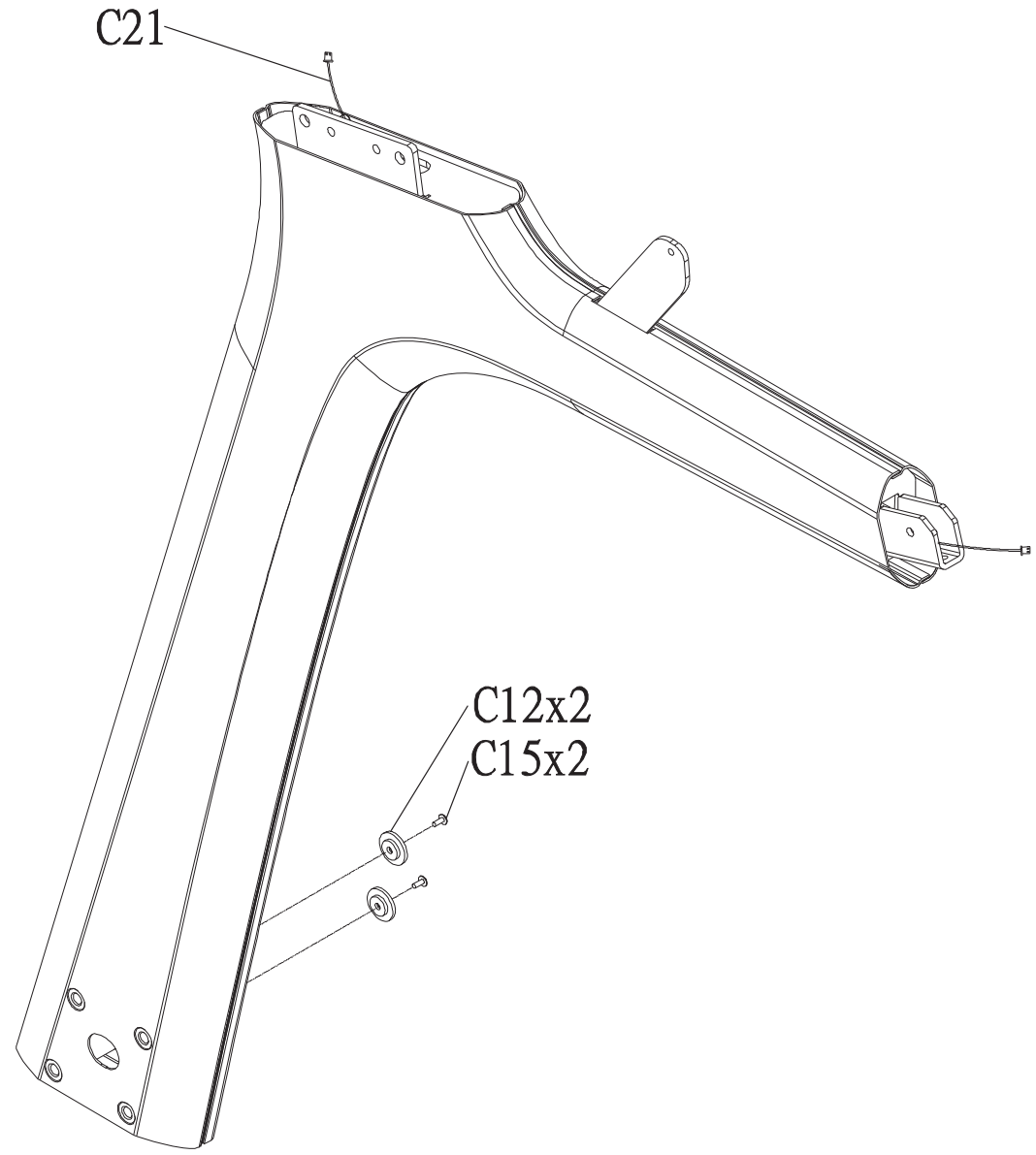
DRAWING NO	TM695-A19		
PART NAME	Console mast set		
PART NO	1000389671	REV	A
APPROVE	Xiongjiawei	DATE	2016.9.13

C12x2
C15x2

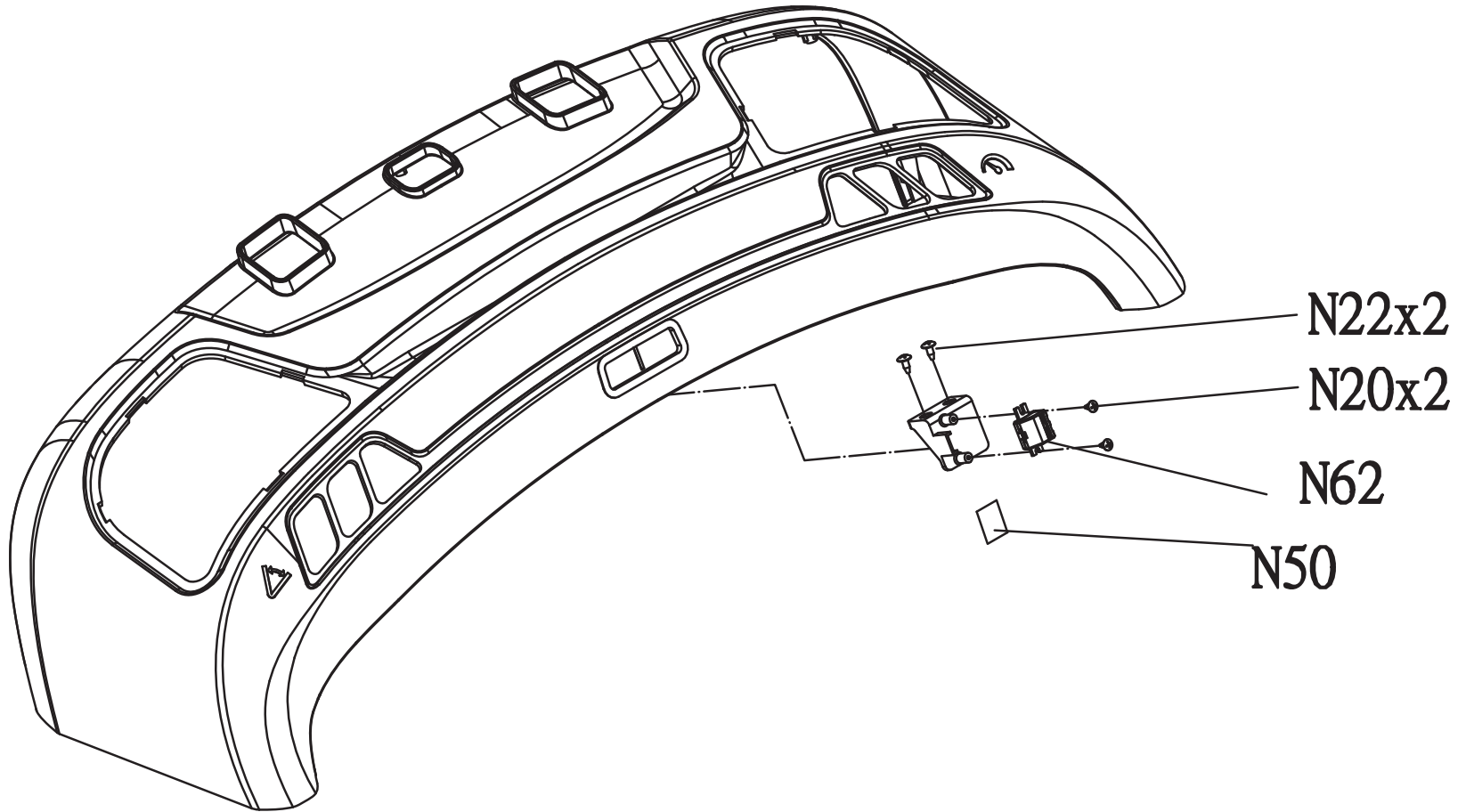
C21



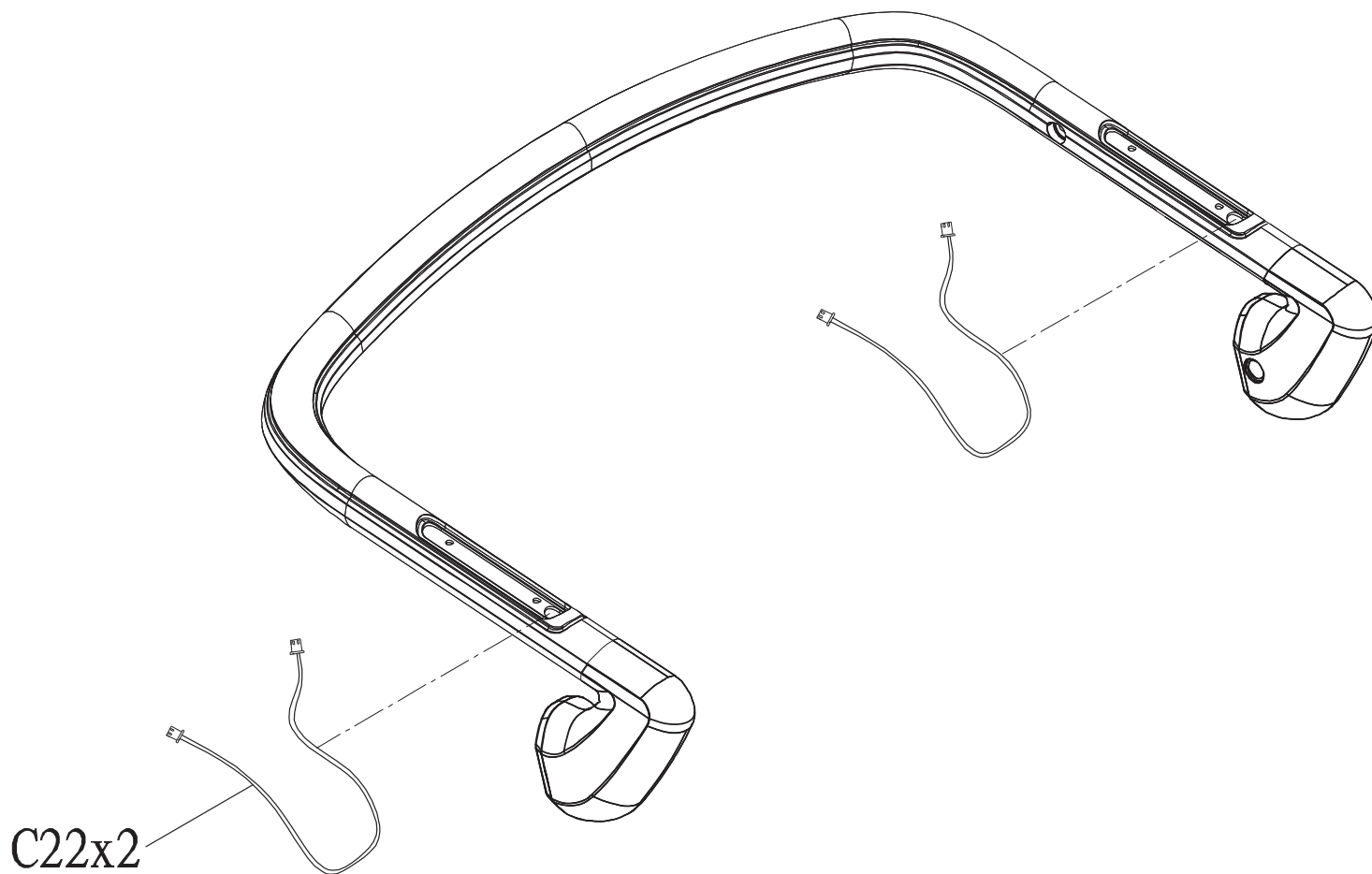
DRAWING NO	TM695-A20		
PART NAME	Console mast set		
PART NO	1000389672	REV	A
APPROVE	Xiongjiawei	DATE	2016.9.13



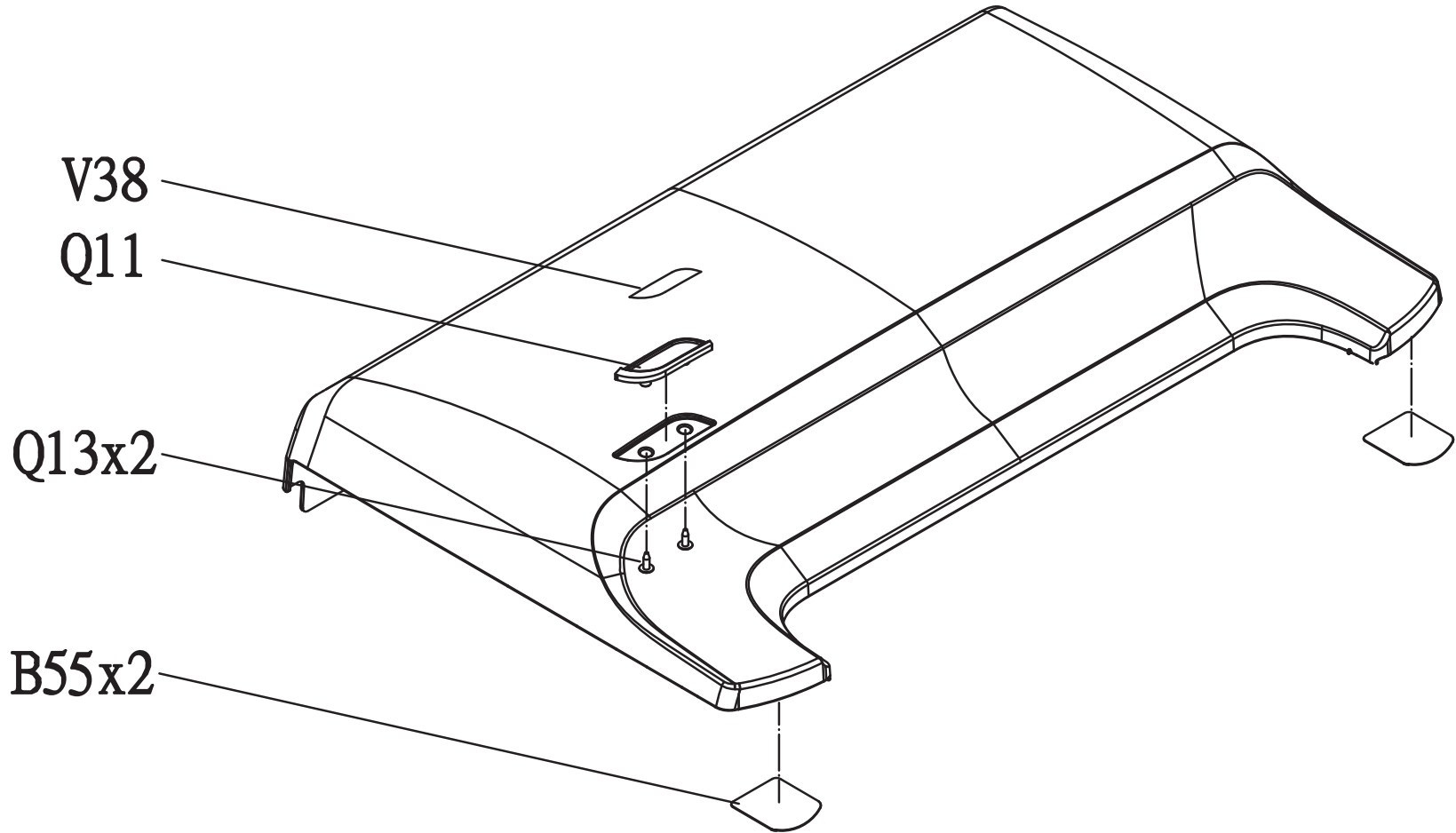
DRAWING NO	TM694-A32		
PART NAME	Console bridge plastic set		
PART NO	1000393906	REV	A
APPROVE	Xionglawei	DATE	2016.9.2



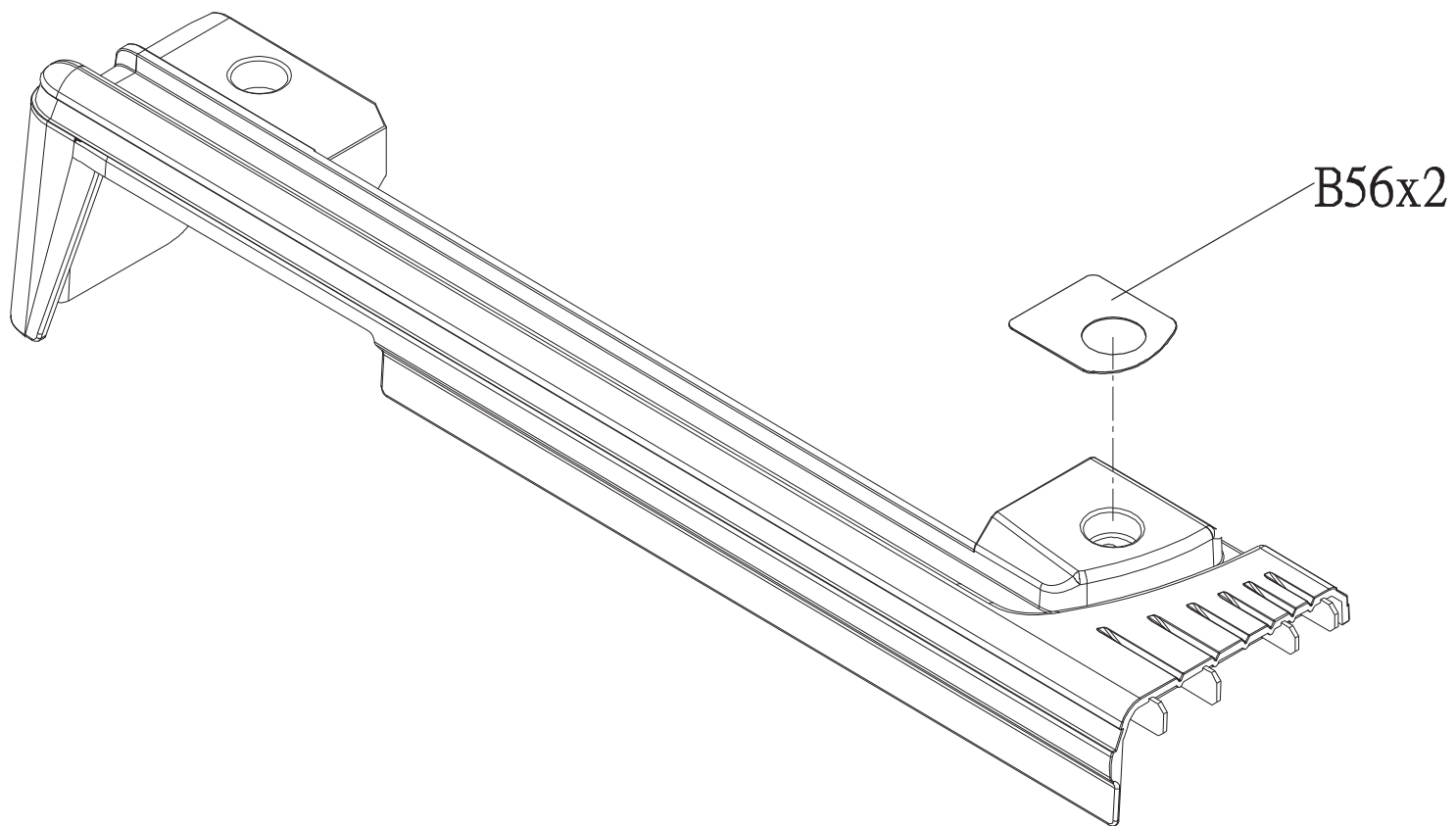
DRAWING NO	TM694-A25		
PART NAME	Arm Rest set		
PART NO	1000394170	REV	A
APPROVE	Xiongjiawei	DATE	2016.9.2



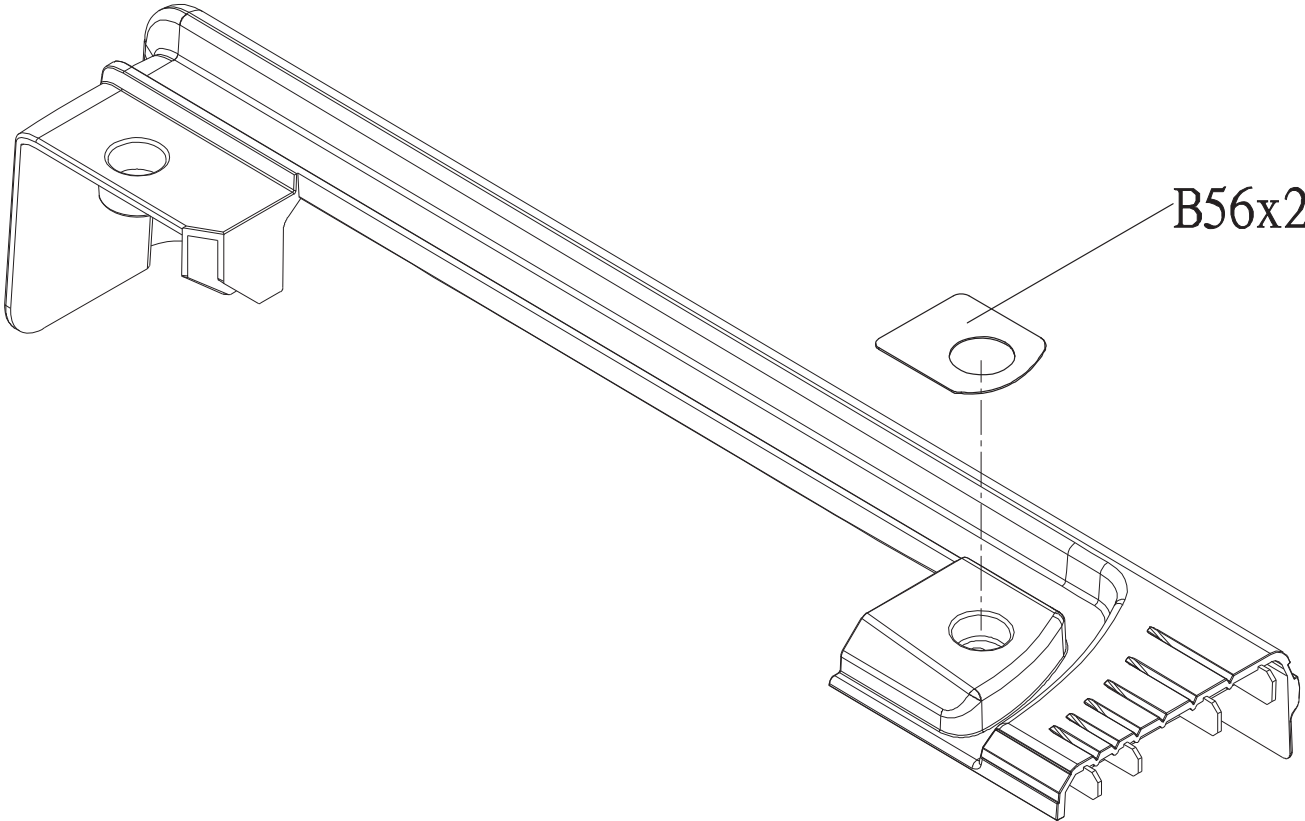
DRAWING NO	TM695-A26		
PART NAME	Motor cover set		
PART NO	1000394188	REV	A
APPROVE	Harvey	DATE	2020.9.16



DRAWING NO	TM695-A28		
PART NAME	Front cover;L		
PART NO	1000394193	REV	A
APPROVE	Xiongjiawei	DATE	2016.9.13



DRAWING NO	TM694-A29		
PART NAME	Front cover;R		
PART NO	1000394194	REV	A
APPROVE	Xiongjiawei	DATE	2016.9.13



DRAWING NO	TM767-A17		
PART NAME	Console bridge base set		
PART NO	1000458235	REV	A
APPROVE	Harvey	DATE	2020.08.31

