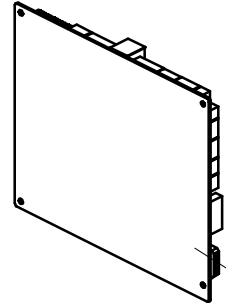
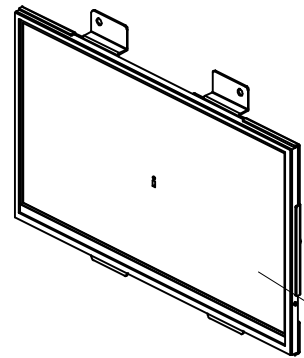
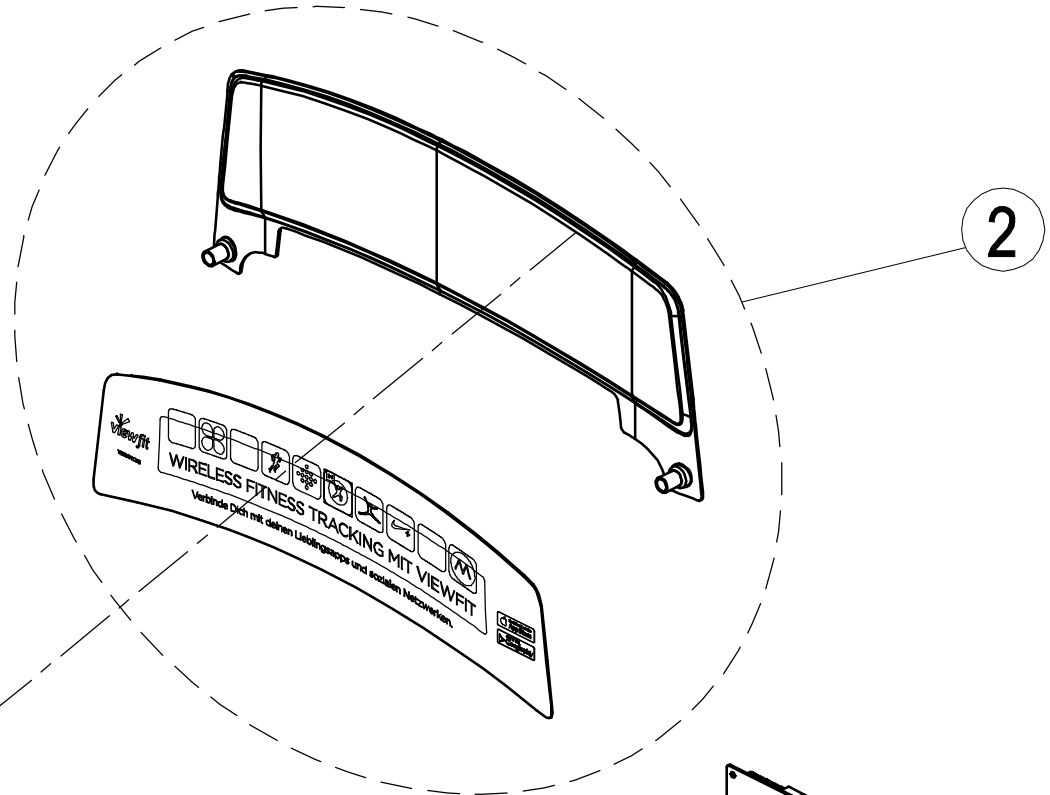
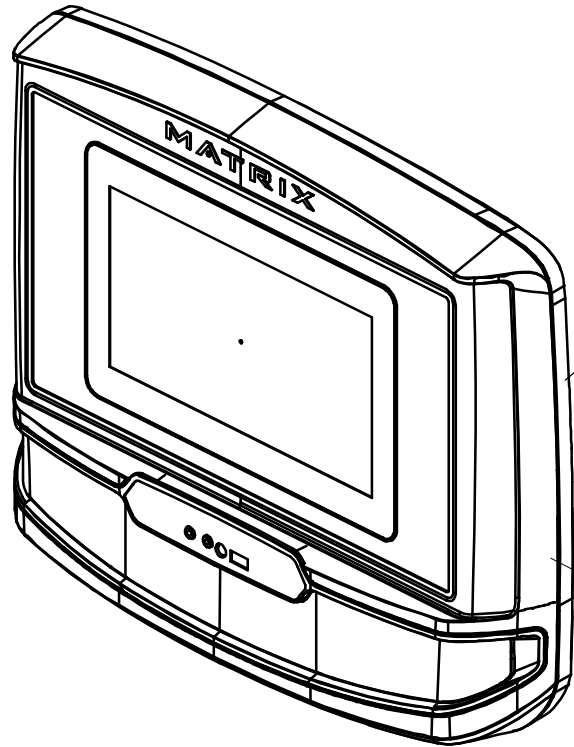


DRAWING NO	PTM751-US/KM-C		
PART NAME	Explosive Rendering		
PART NO	MTM1165-00	REV	A
APPROVE	Harvey	DATE	2021.04.29



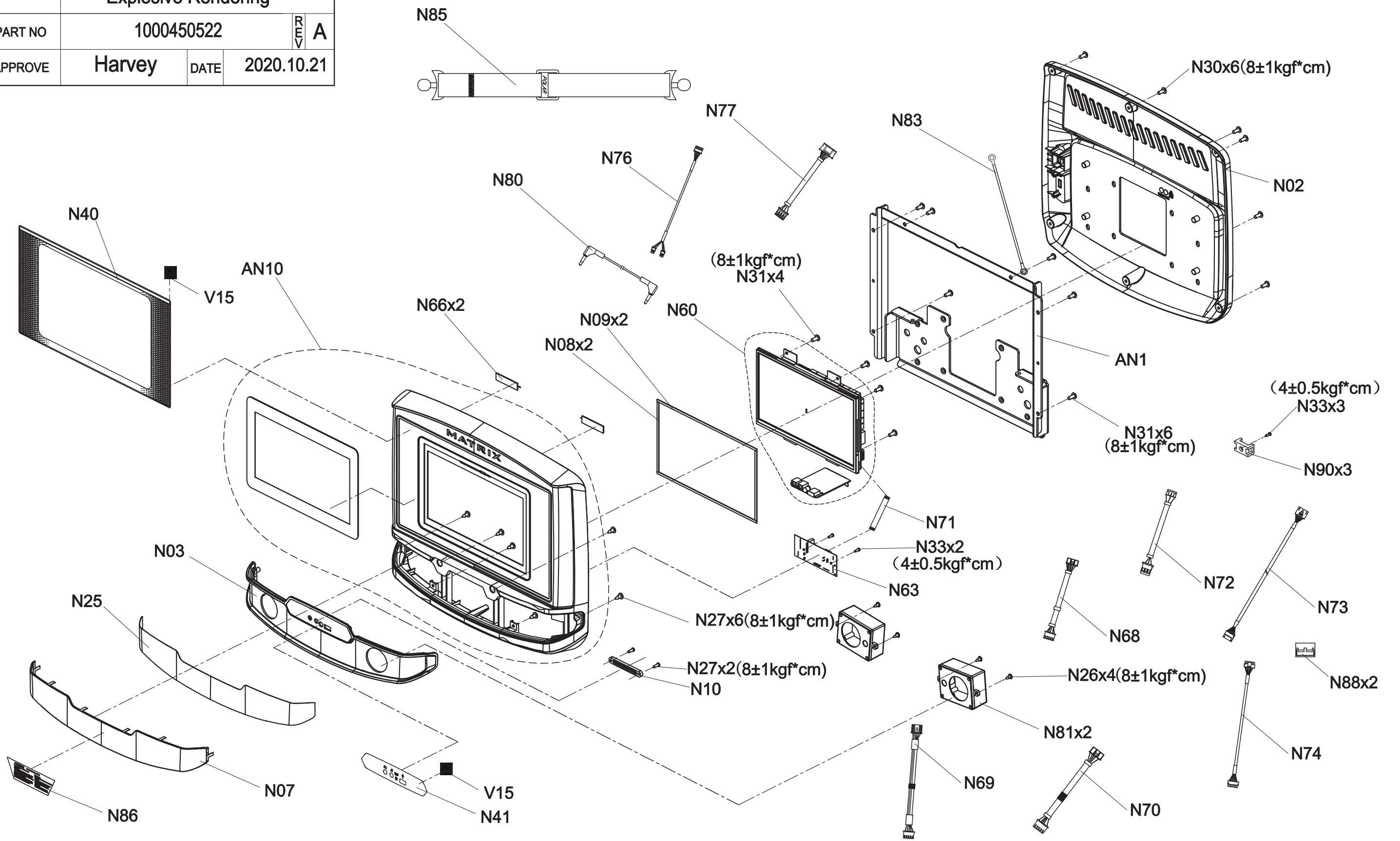
N100

N101

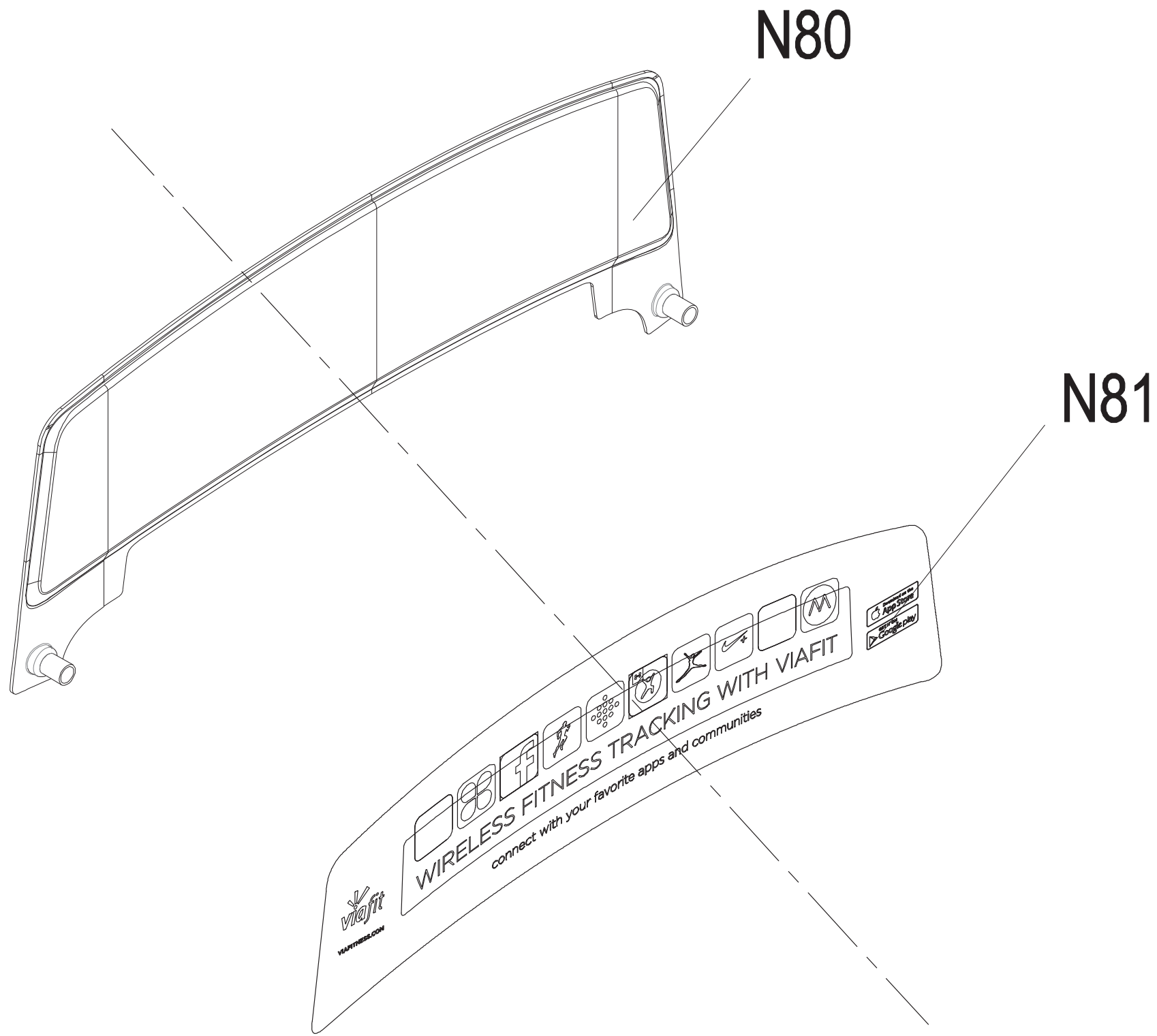
1

2

DRAWING NO	TM751-A12		
PART NAME	Explosive Rendering		
PART NO	1000450522	REV	A
APPROVE	Harvey	DATE	2020.10.21



DRAWING NO	TM698-AN3		
PART NAME	Label set;;;POP;English		
PART NO	1000390276	REV	A
APPROVE	Harvey	DATE	2016.05.30



DRAWING NO	TM751-N60		
PART NAME	TFT Module;10.1		
PART NO	1000450014	REV	A
APPROVE	Harvey	DATE	2020.10.21

