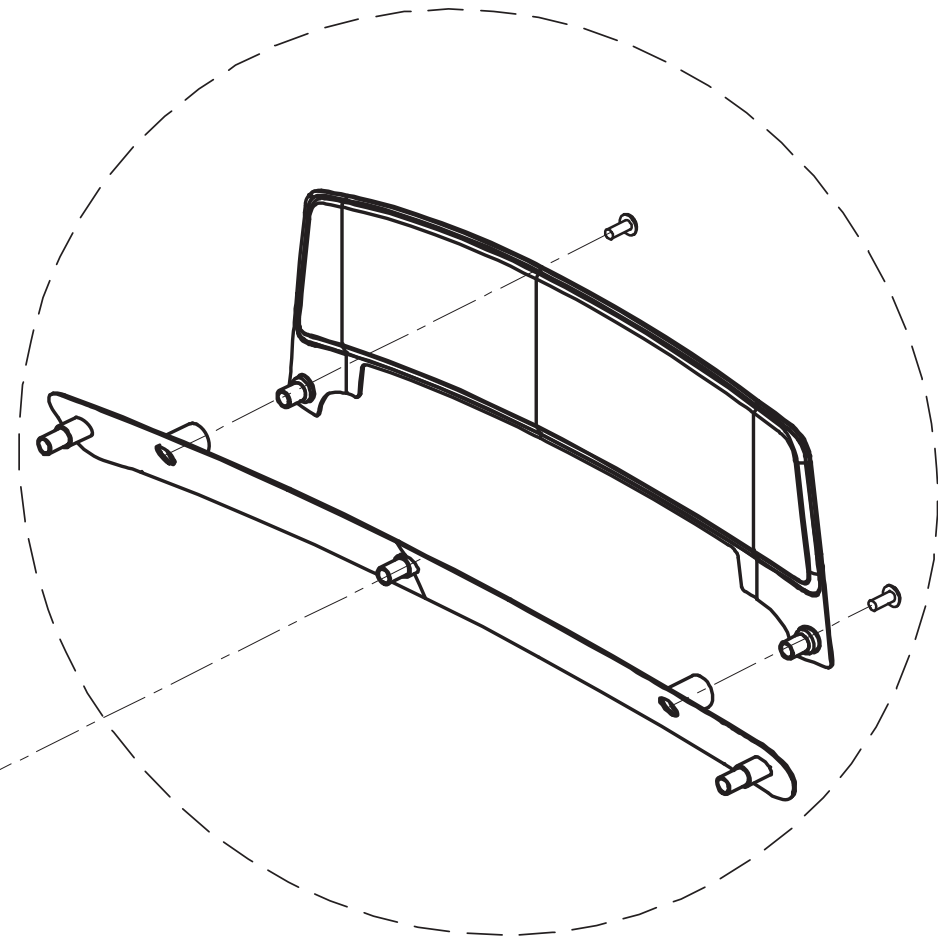
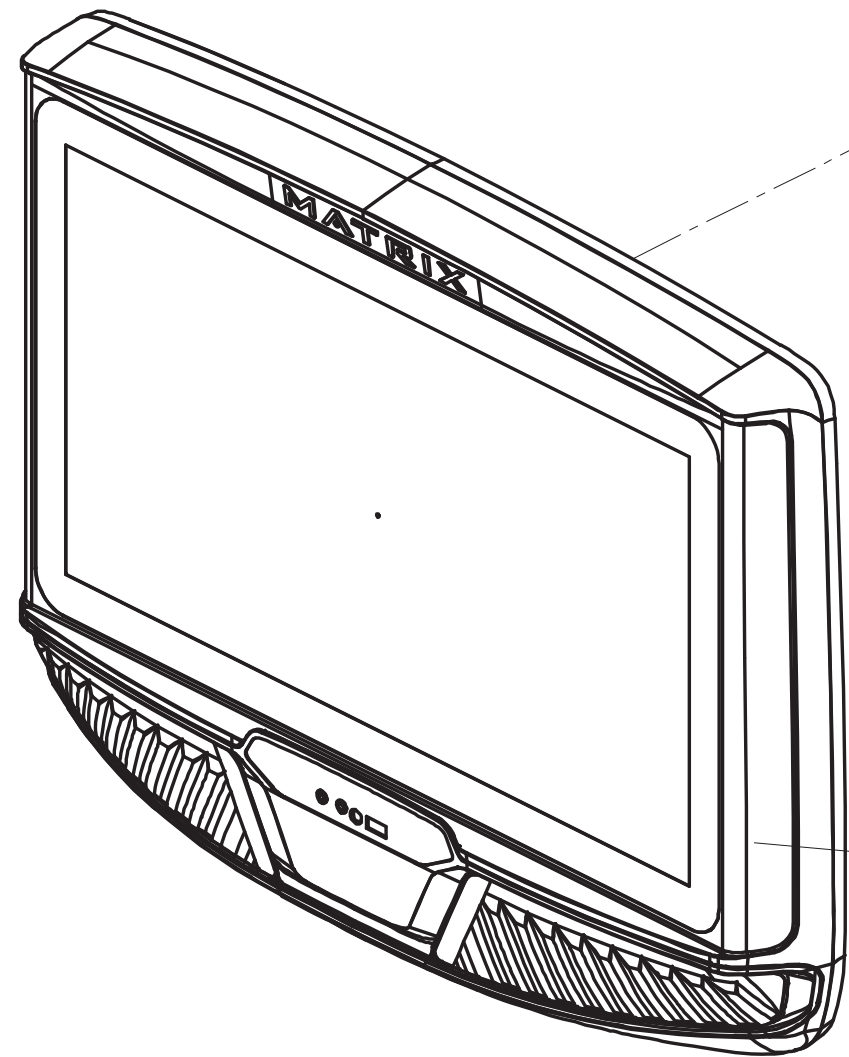
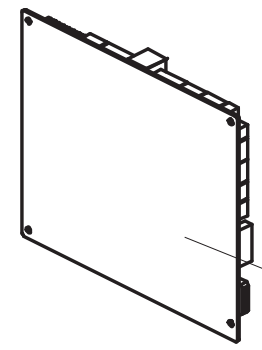


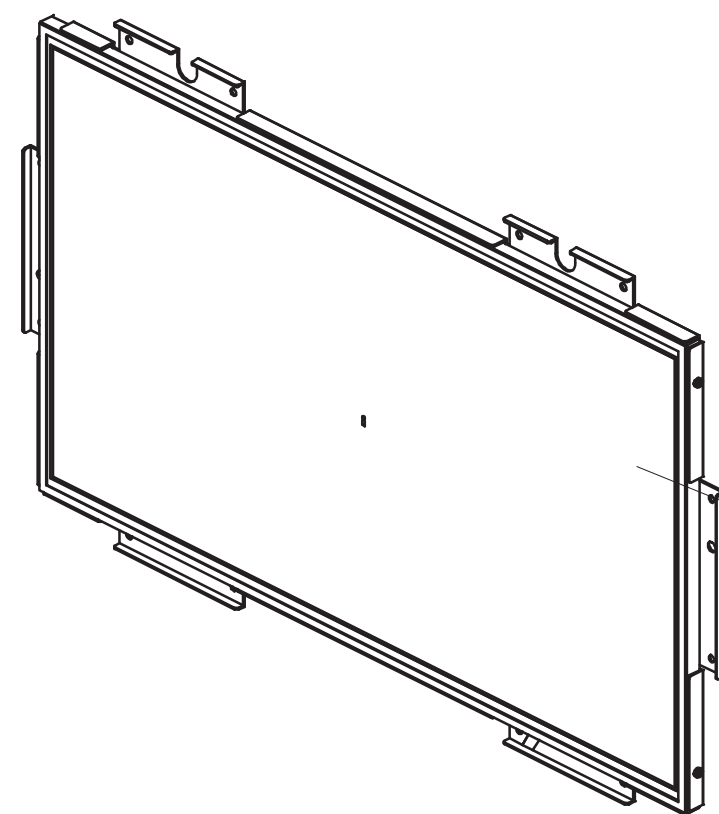
DRAWING NO	PTM753-US/KM-C		
PART NAME	Explosive Rendering		
PART NO	MTM1167-00	REV	A
APPROVE	Harvey	DATE	2021.04.29



2



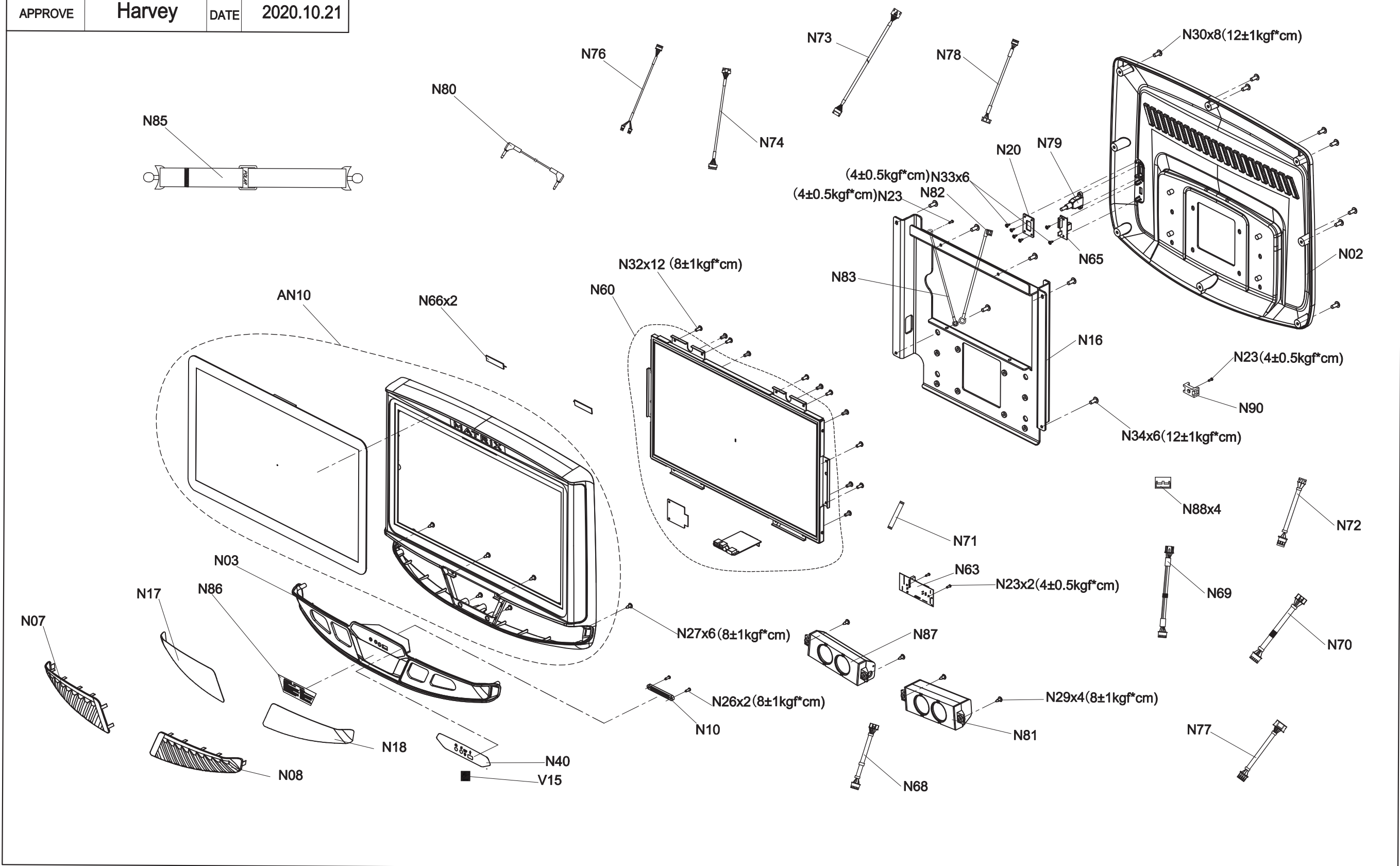
N100



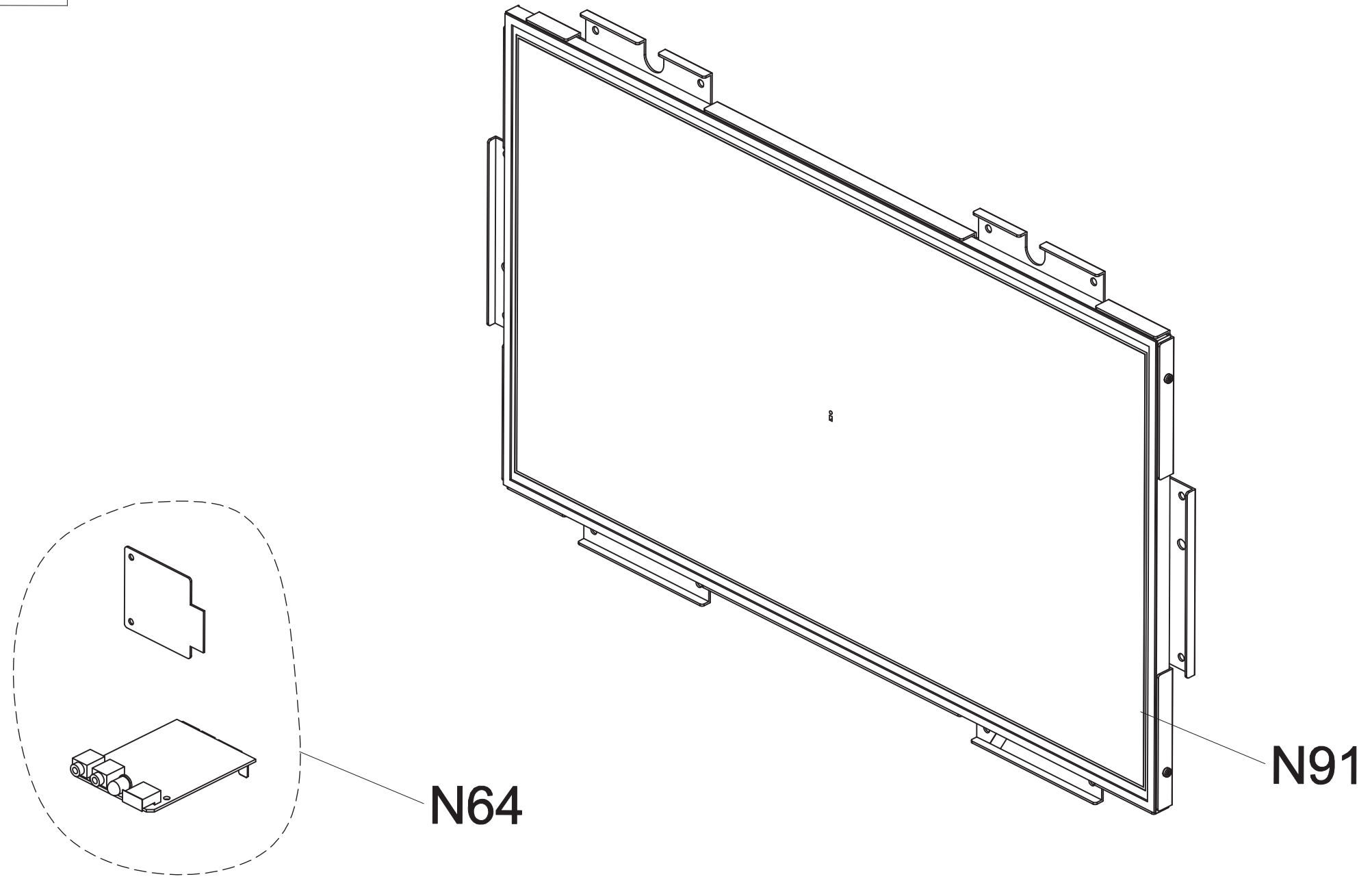
N101

1

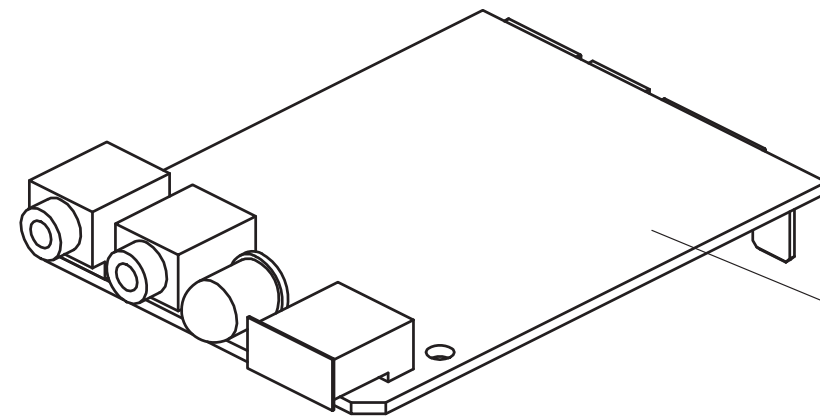
DRAWING NO	TM753-A12		
PART NAME	Explosive Rendering		
PART NO	1000450568	REV	A
APPROVE	Harvey	DATE	2020.10.21



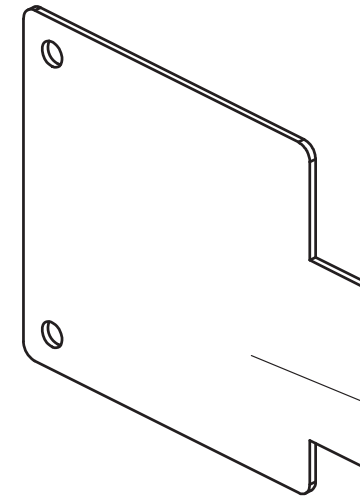
DRAWING NO	TM753-N60		
PART NAME	TFT Module;21.5		
PART NO	1000450010	REV	A
APPROVE	Harvey	DATE	2020.10.21



DRAWING NO	TM752-N64		
PART NAME	HDMI & USB board set		
PART NO	1000457597	REV	A
APPROVE	Harvey	DATE	2020.10.21



N62



N92

DRAWING NO	TM753-AN3		
PART NAME	Fixing set ; POP label		
PART NO	1000459364	REV	A
APPROVE	Harvey	DATE	2020.10.21

