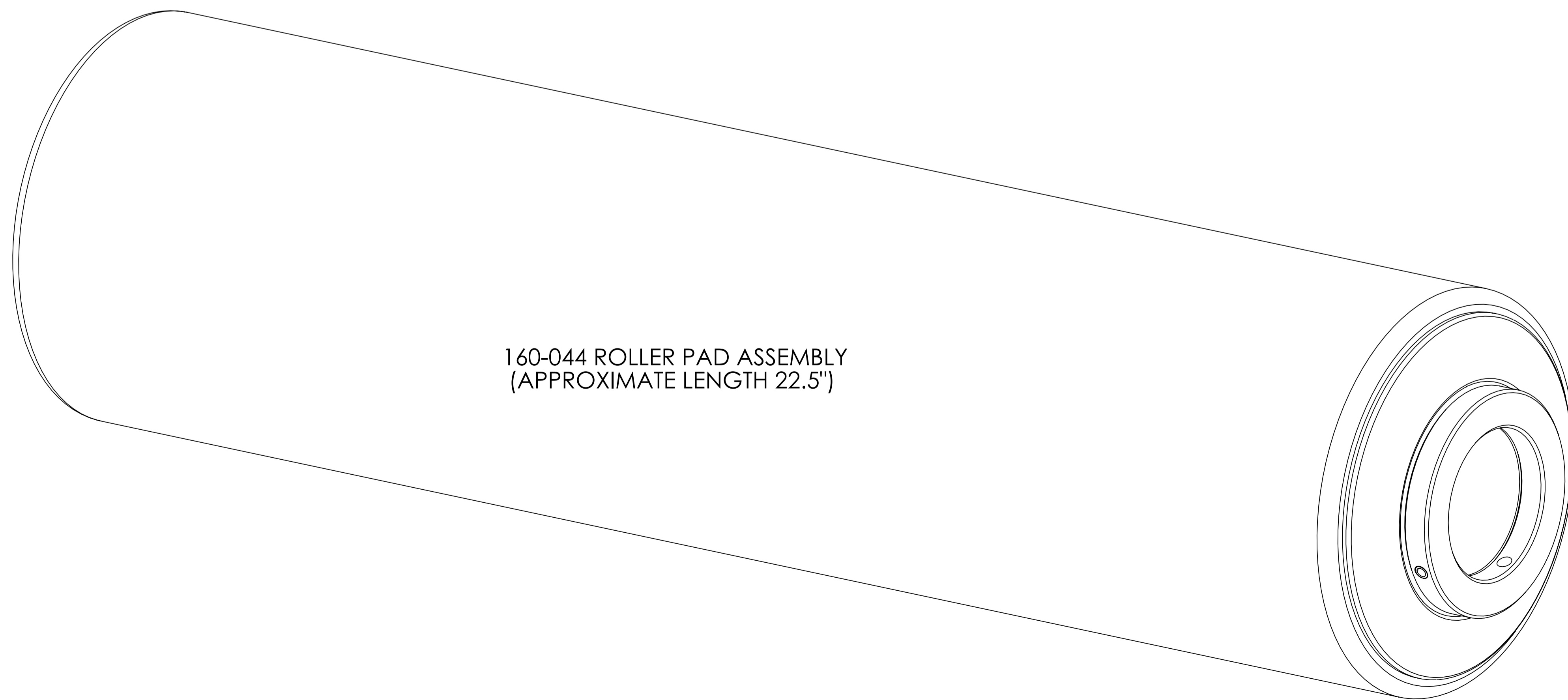
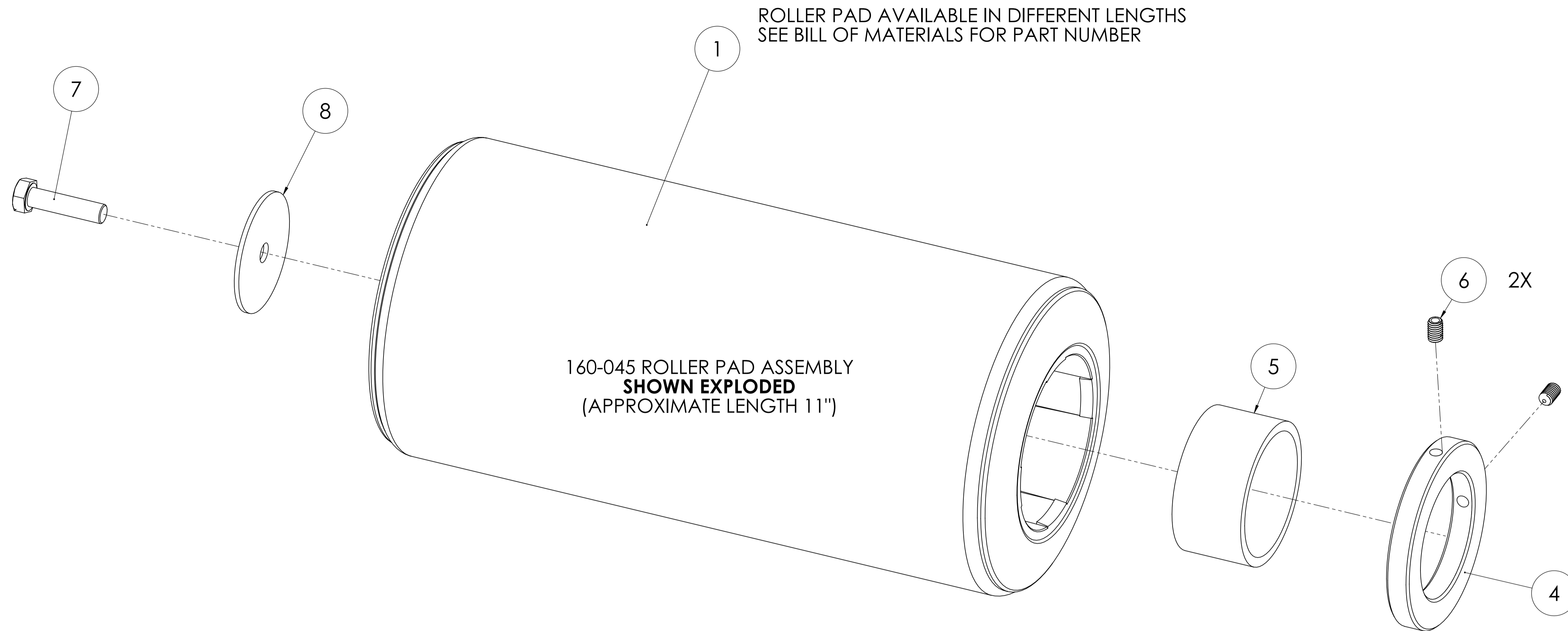


**MATRIX**

DWG NO.	XR15-02 SERVICE		
DESCRIPTION:	XULT LEG ROLLER (Rack / Rig Options)		
DRAWN BY:	LG	DATE:	2020.JUL.27
UPDATED BY:		DATE:	



**MATRIX**

DWG NO.		
160-044 & 160-045 SERVICE		
DESCRIPTION:		
ROLLER PAD ASSY (Matrix Fitness)		
DRAWN BY:	LMB	DATE: 2013.MAY.06
UPDATED BY:	L.M.B.	DATE: 2015.FEB.11