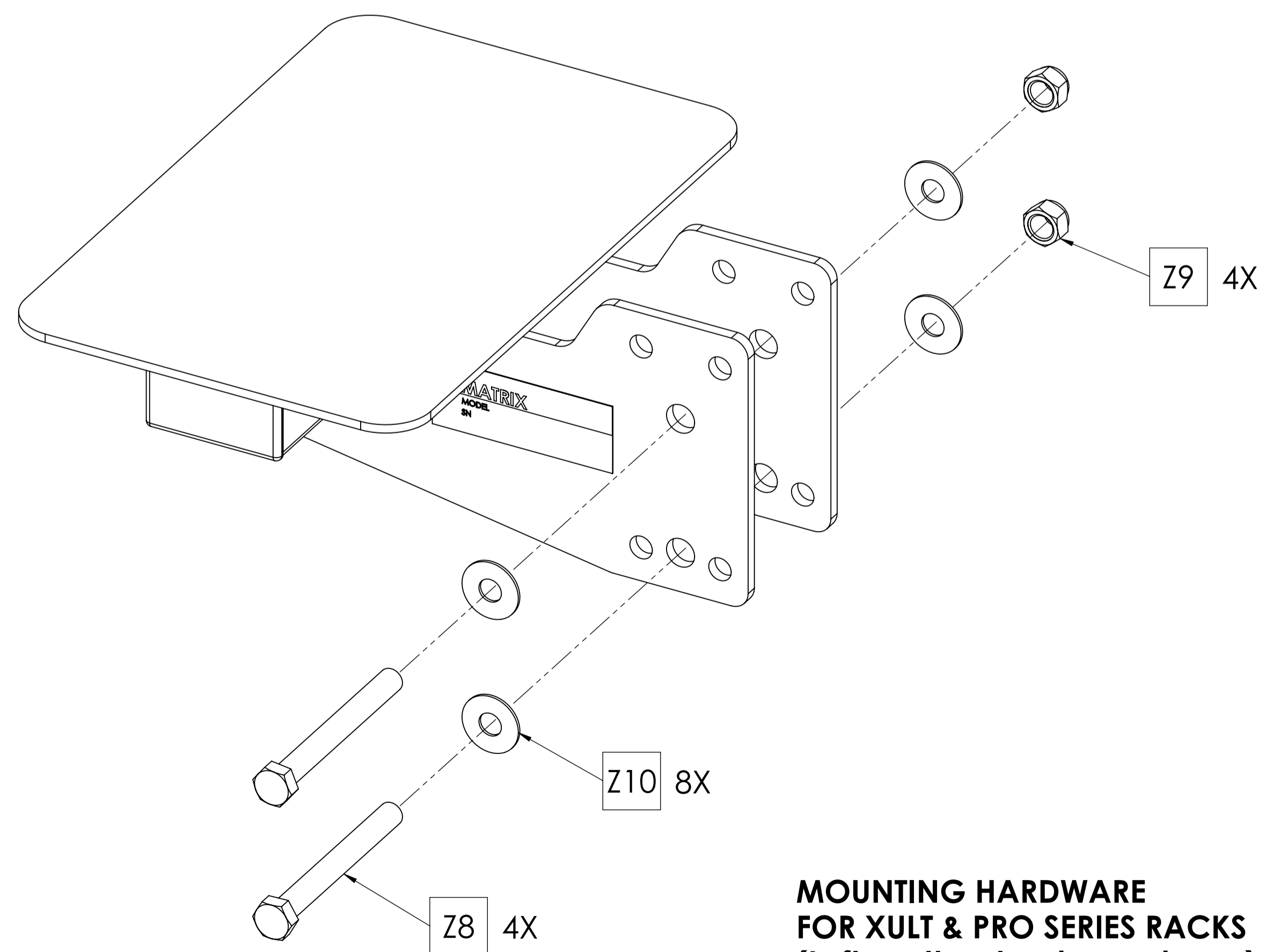


AB2

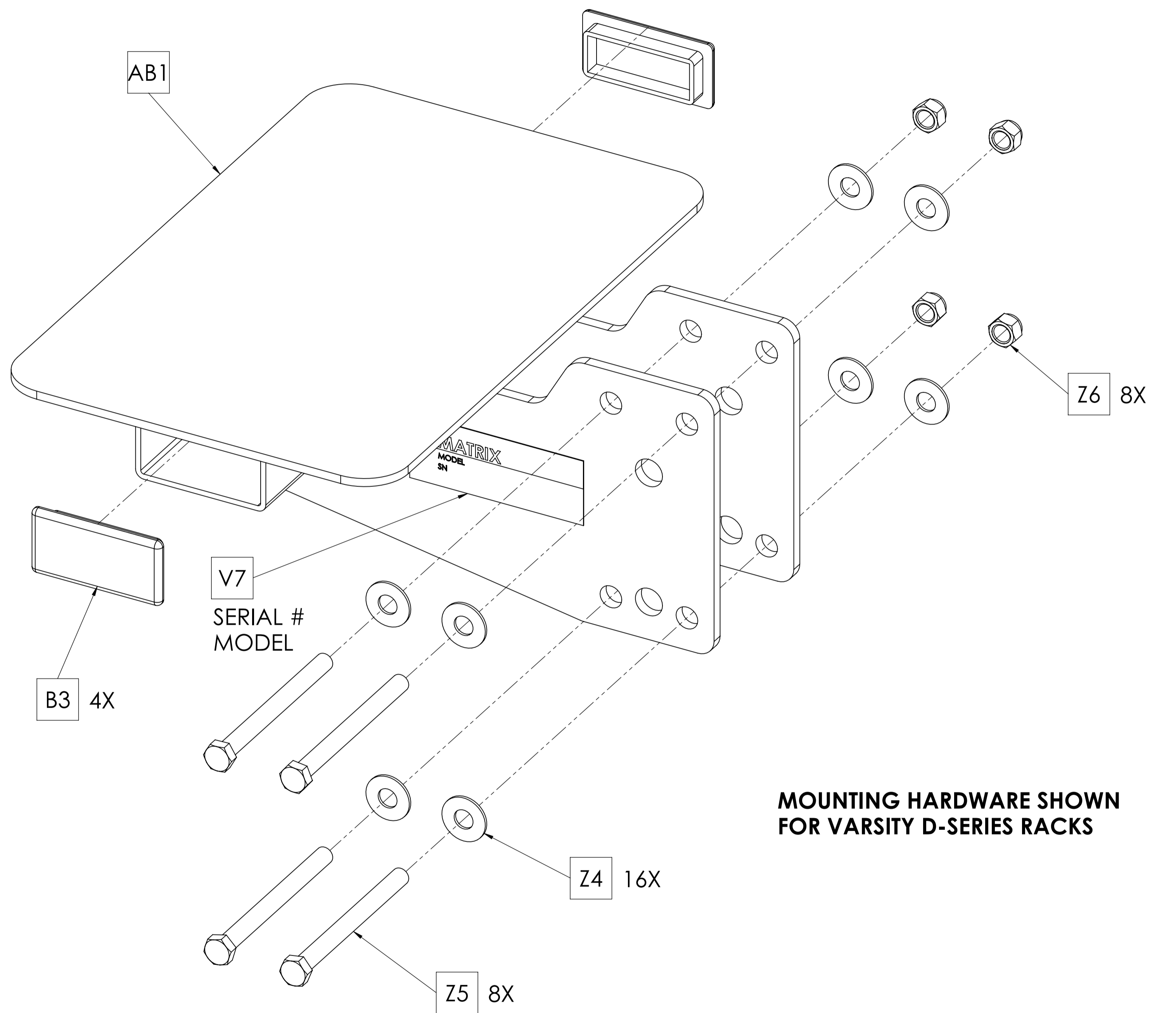


Z9 4X

Z10 8X

Z8 4X

**MOUNTING HARDWARE
FOR XULT & PRO SERIES RACKS
(Left spotter stand now shown)**



AB1

B3 4X

V7
SERIAL #
MODEL

Z4 16X

Z5 8X

Z6 8X

**MOUNTING HARDWARE SHOWN
FOR VARSITY D-SERIES RACKS**

MATRIX

DWG NO. VY-DOPT45S-02 SERVICE

DESCRIPTION: BOLT-ON SPOTTER STANDS
(Rack Options & Components)

DRAWN BY: LG DATE: 2020.AUG.28

UPDATED BY: DATE: