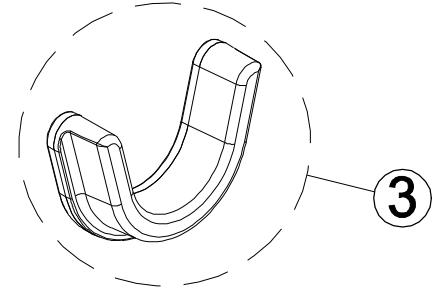
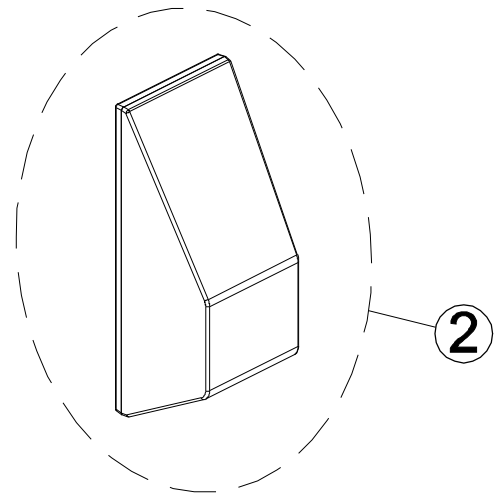
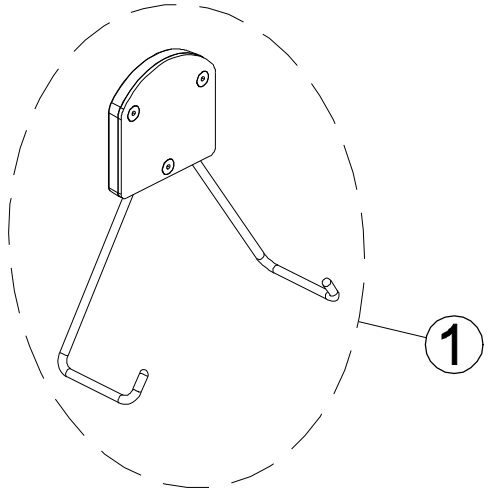
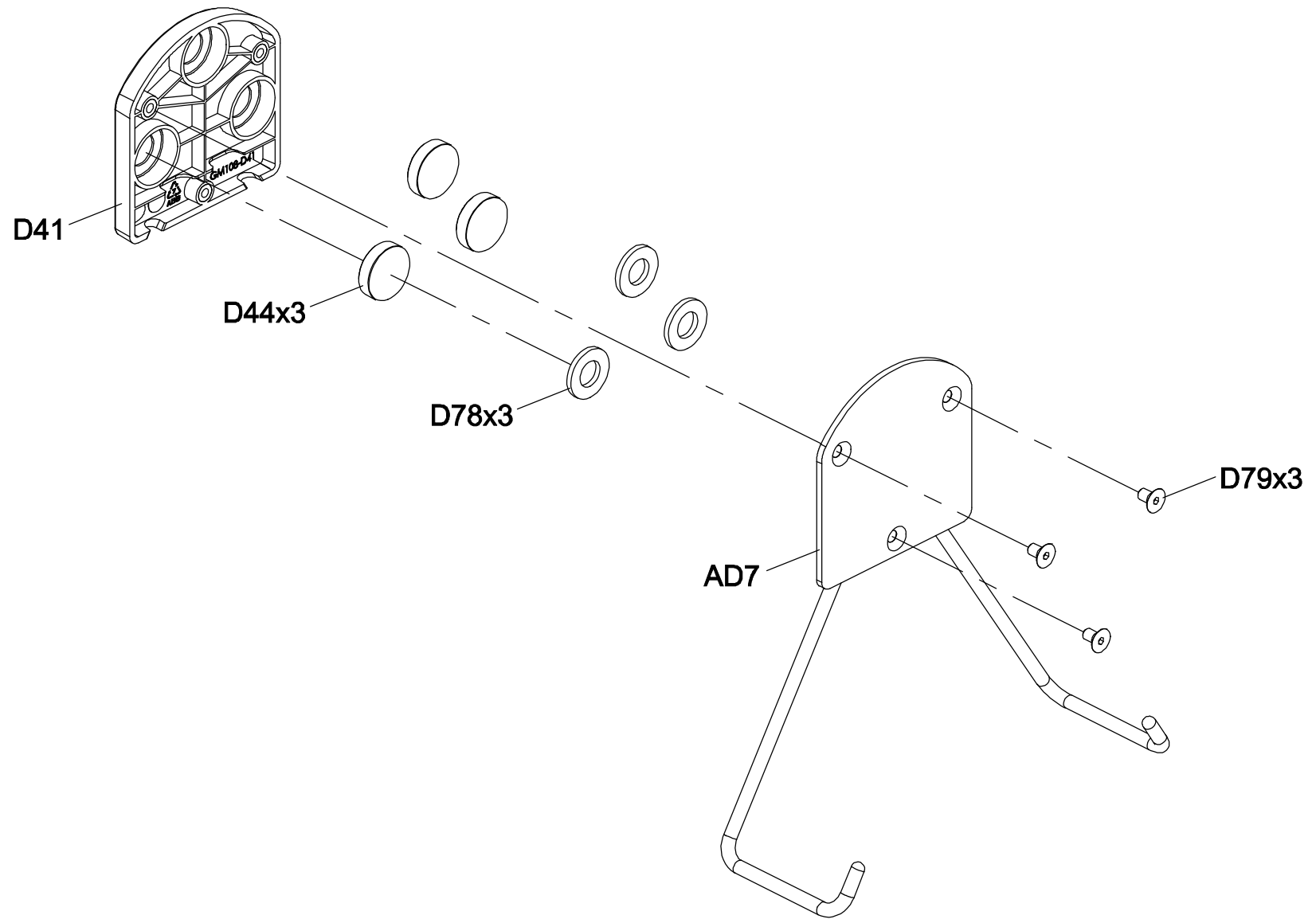


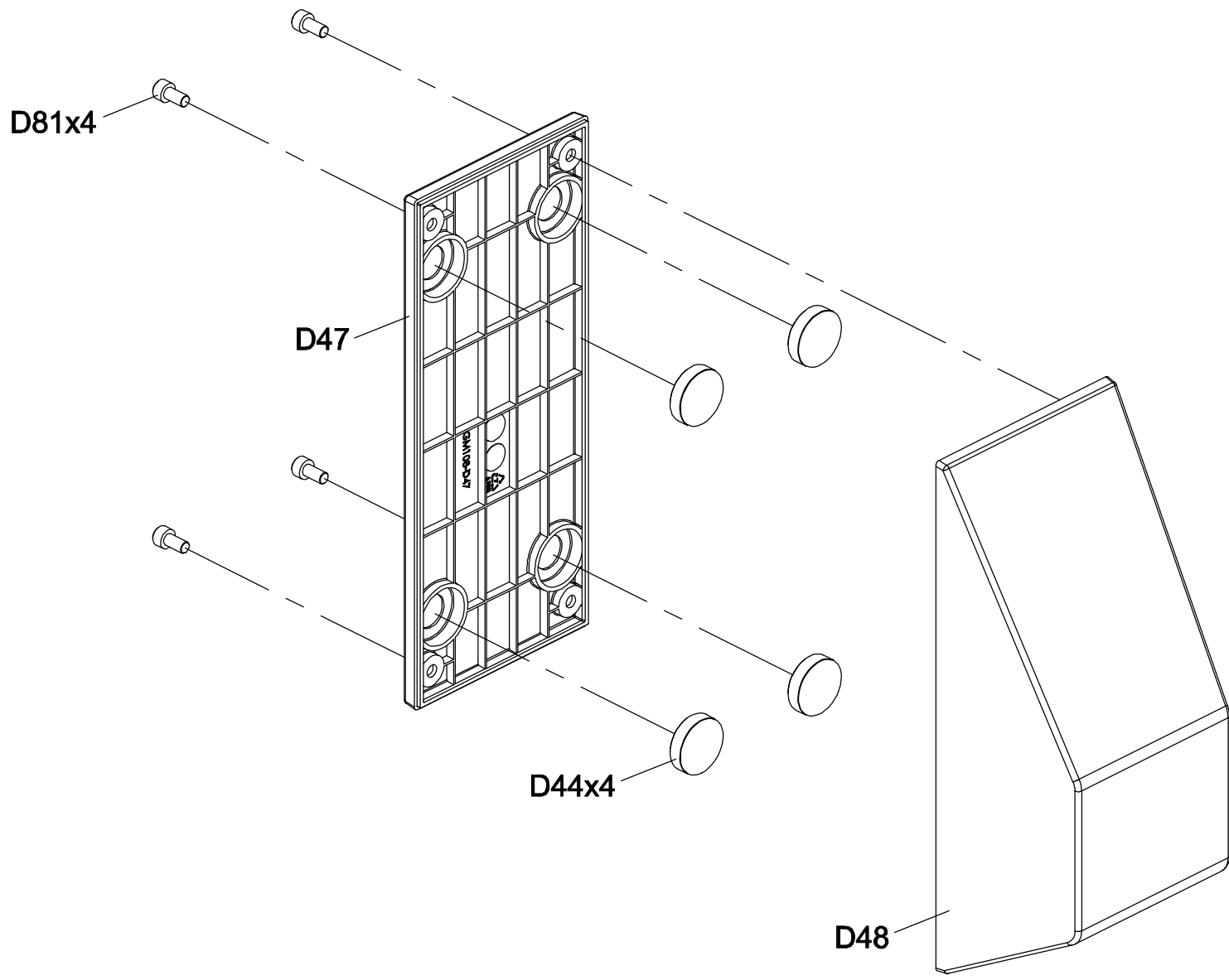
DRAWING NO	PAS1850-KM		
PART NAME	Accessory Explosive Diagram		
PART NO	MAS0946-00	REV	A
APPROVE	Zero	DATE	01.12.2018



DRAWING NO	GM108-SF06		
PART NAME	Support Shelf Set 1		
PART NO	1000420683	REV	A
APPROVE	Zero	DATE	01.12.2018



DRAWING NO	GM108-SF07		
PART NAME	Support Shelf Set 2		
PART NO	1000420684	REV	A
APPROVE	Zero	DATE	01.12.2018



DRAWING NO	GM108-SF08		
PART NAME	Support Shelf Set 3		
PART NO	1000420685	REV	A
APPROVE	Zero	DATE	01.12.2018

