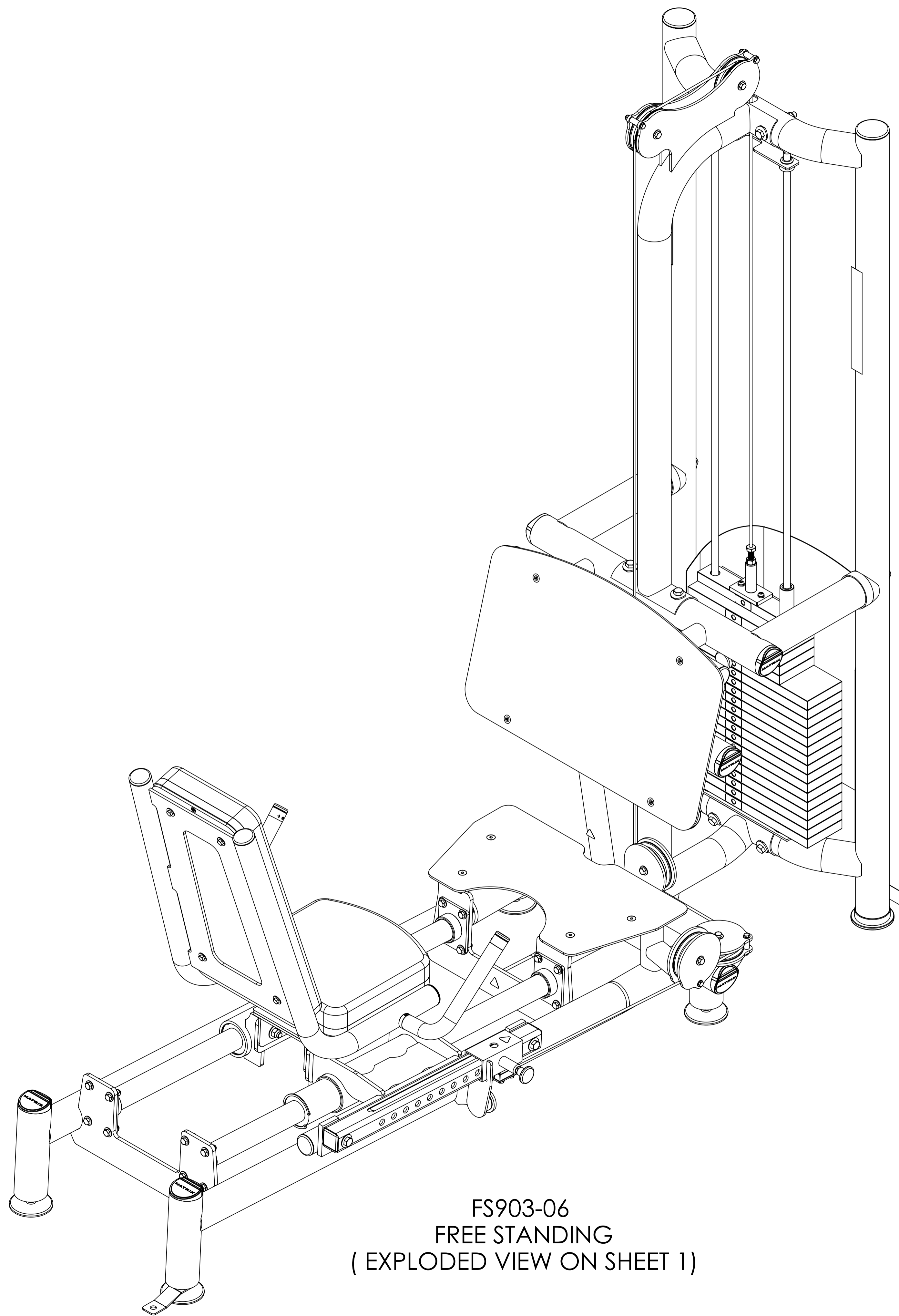


SERIAL #
MODEL #

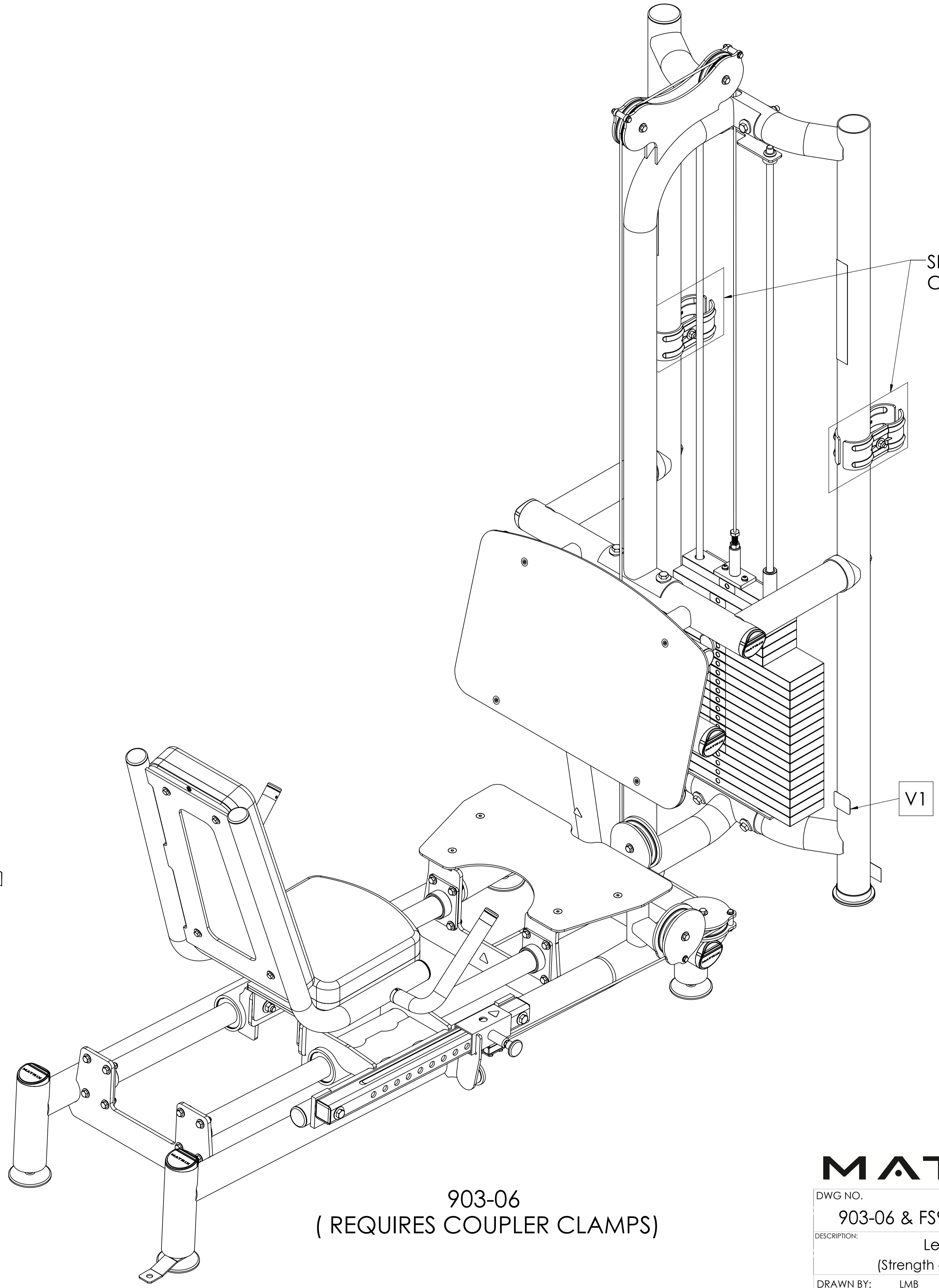
SEE WEIGHT
STACK
SHEET

MATRIX

DWG NO.		903-06 & FS903-06 SERVICE	
DESCRIPTION:		Leg Press (Strength - Single Station)	
DRAWN BY:	LMB	DATE:	2018.JAN.04
UPDATED BY:	LG	DATE:	2019.SEP.04



FS903-06
FREE STANDING
(EXPLODED VIEW ON SHEET 1)



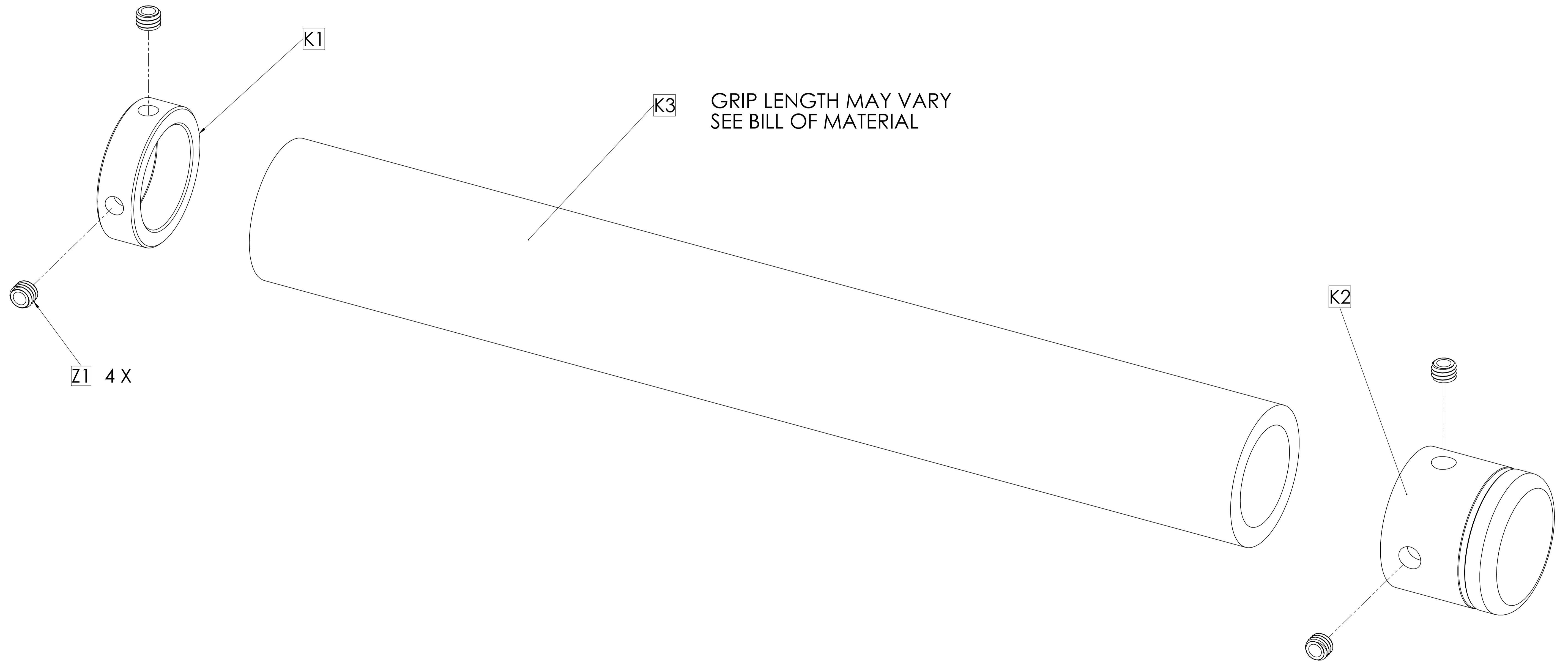
SEE COUPLER
CLAMP SHEET

V1

903-06
(REQUIRES COUPLER CLAMPS)

MATRIX

DWG NO.		903-06 & FS903-06 SERVICE	
DESCRIPTION:		Leg Press (Strength - Single Station)	
DRAWN BY:	LMB	DATE:	2018.JAN.04
UPDATED BY:	LG	DATE:	2019.SEP.04



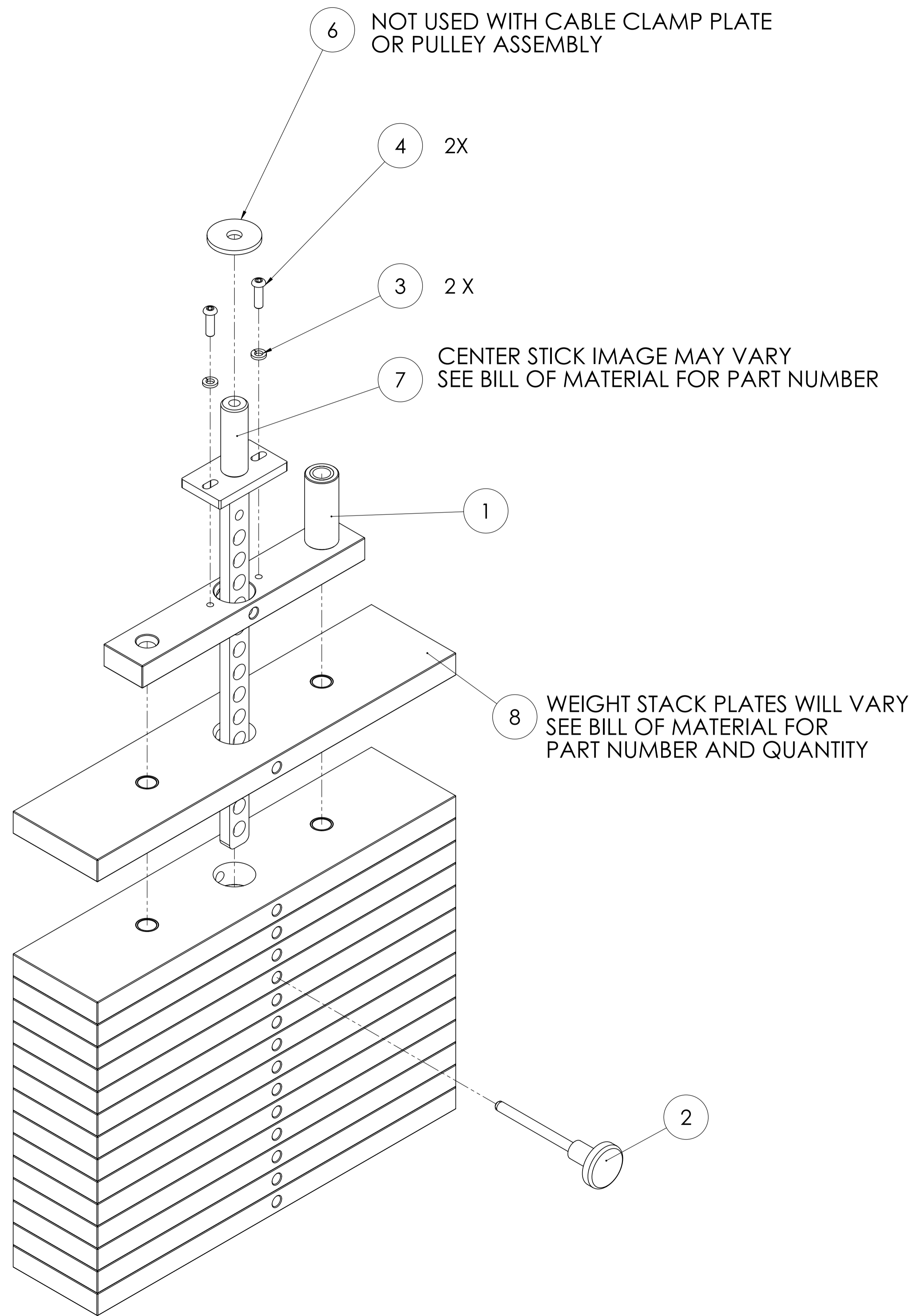
MATRIX

DWG NO:
160-056,160-057,160-058,160-059

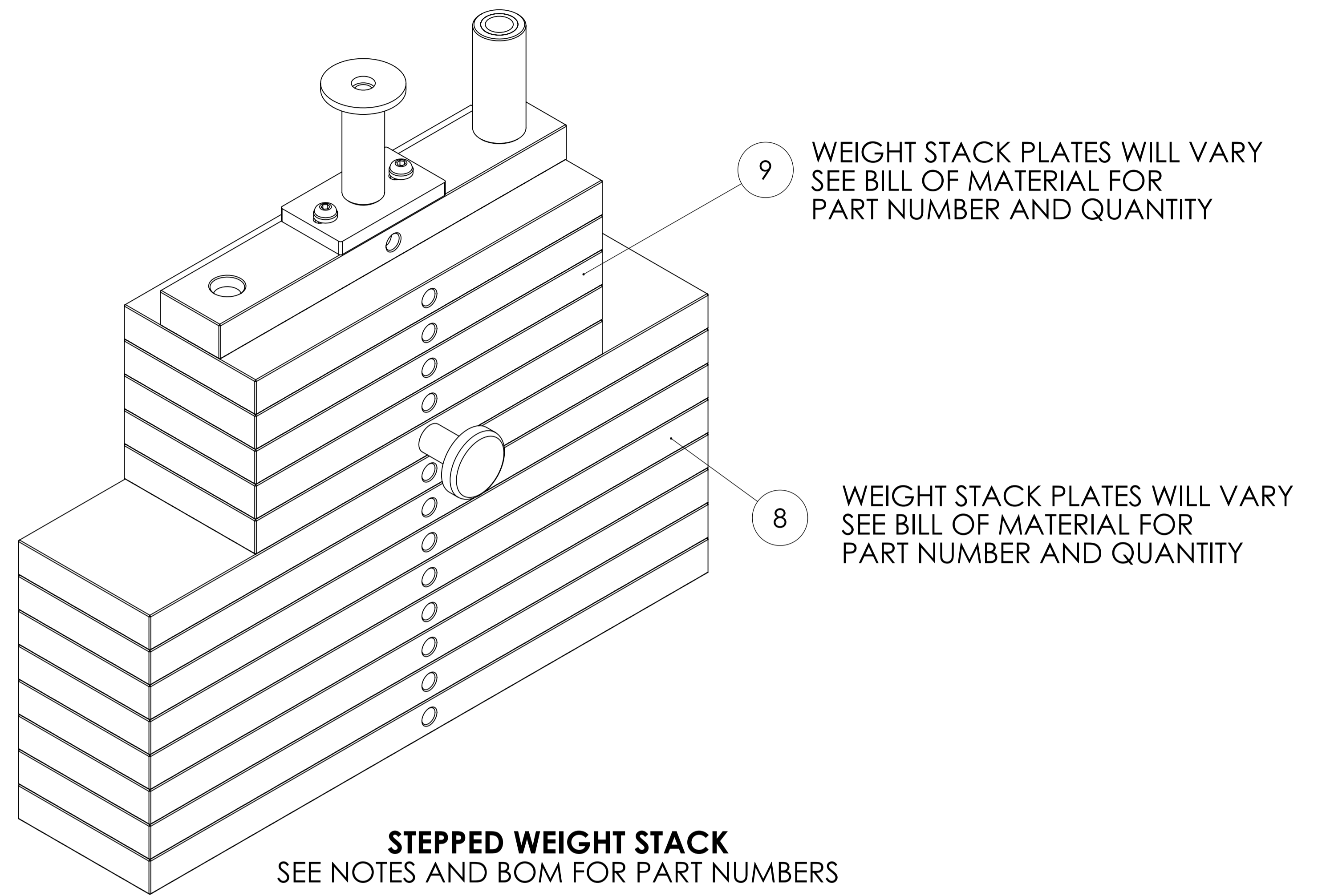
DESCRIPTION:
SERVICE
HAND GRIP
(RUBBER GRIP TUBE)

DRAWN BY: LMB DATE: 2013.OCT.07

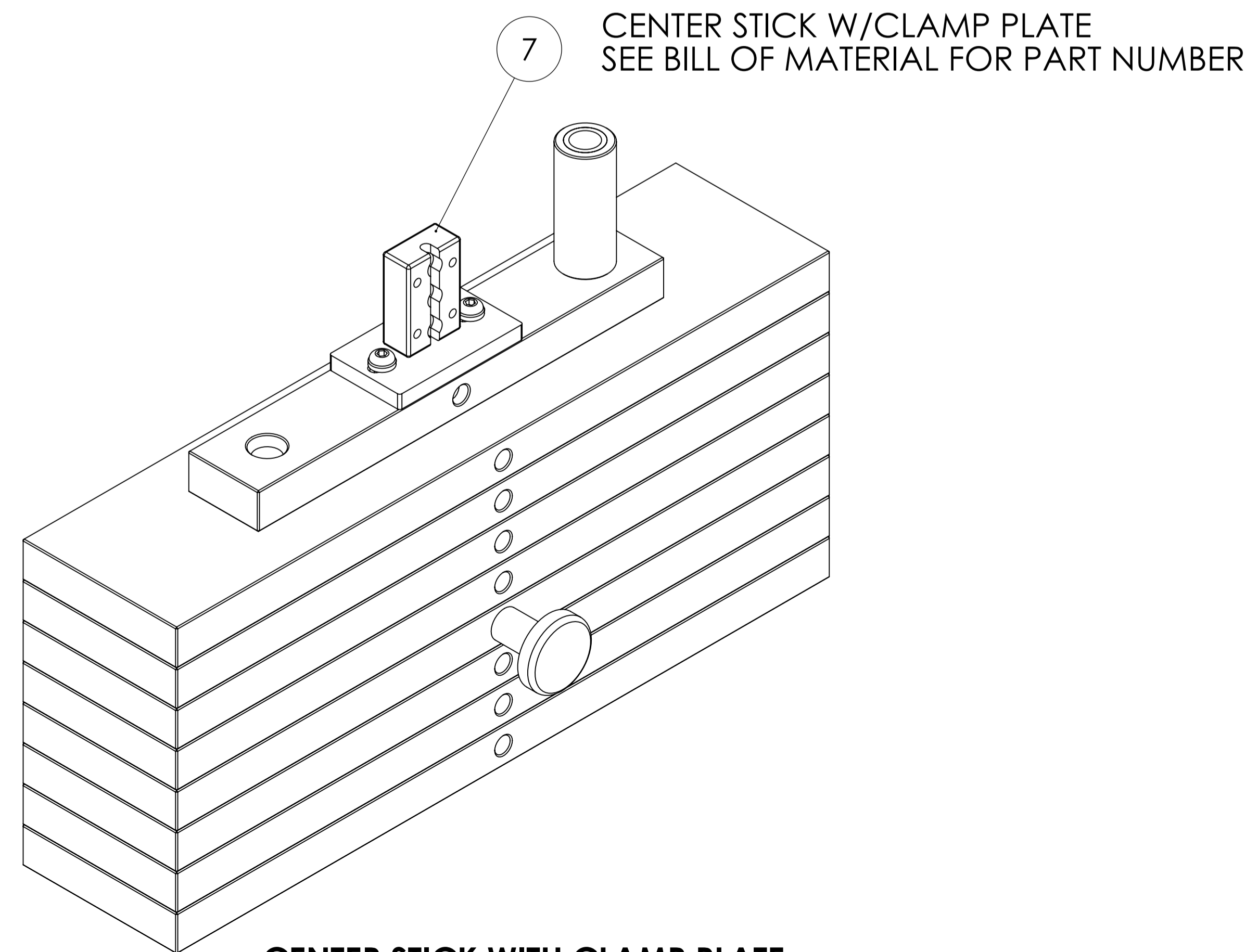
UPDATED BY: LMB DATE: 2015.JUN.05



**CENTER STICK WITH MOUNTING POST
CABLE MOUNTED WITH TAKE UP BOLT OR PULLEY
(SHOWN EXPLODED)
SEE NOTES AND BOM FOR PART NUMBERS**



**STEPPED WEIGHT STACK
SEE NOTES AND BOM FOR PART NUMBERS**



**CENTER STICK WITH CLAMP PLATE
SEE NOTES AND BOM FOR PART NUMBERS**

MATRIX

DWG NO. _WEIGHT STACK SERVICE		
DESCRIPTION: WEIGHT STACK/CENTERSTICK ASSY (Take Up Bolt, Pulley & Clamp Style)		
DRAWN BY: LMB	DATE: 2013.OCT.10	
UPDATED BY: LMB	DATE: 2017.DEC.29	