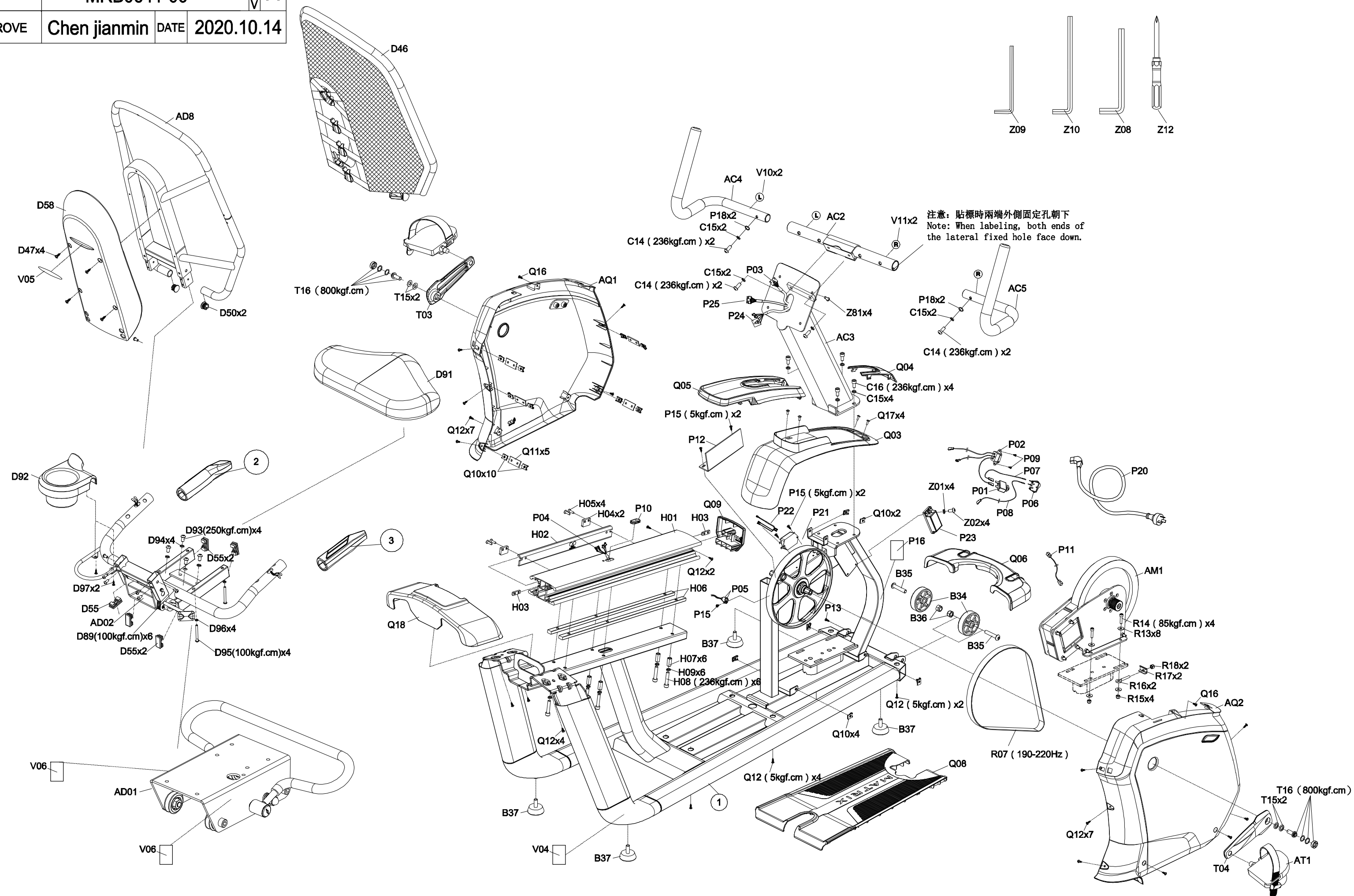
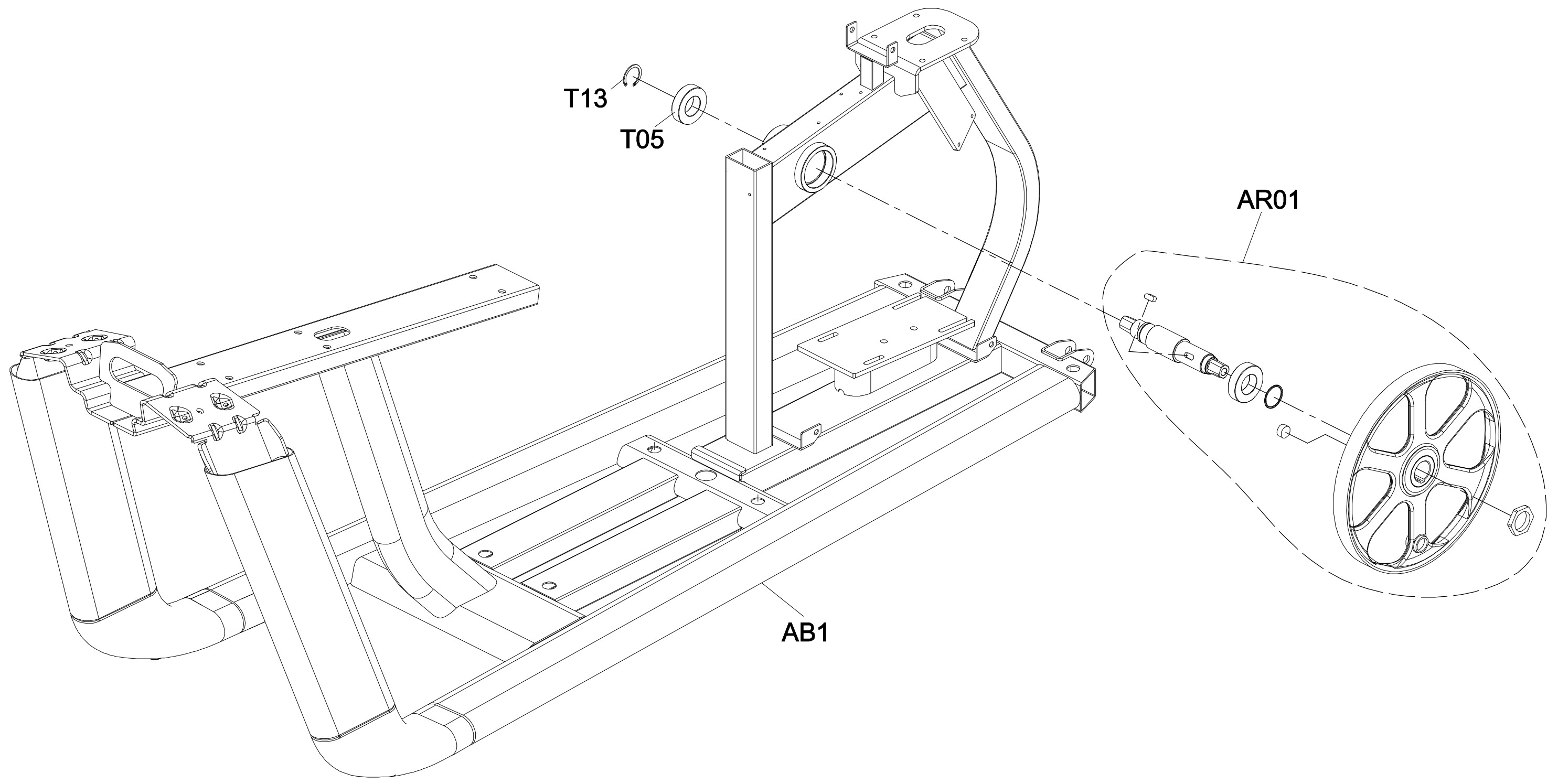


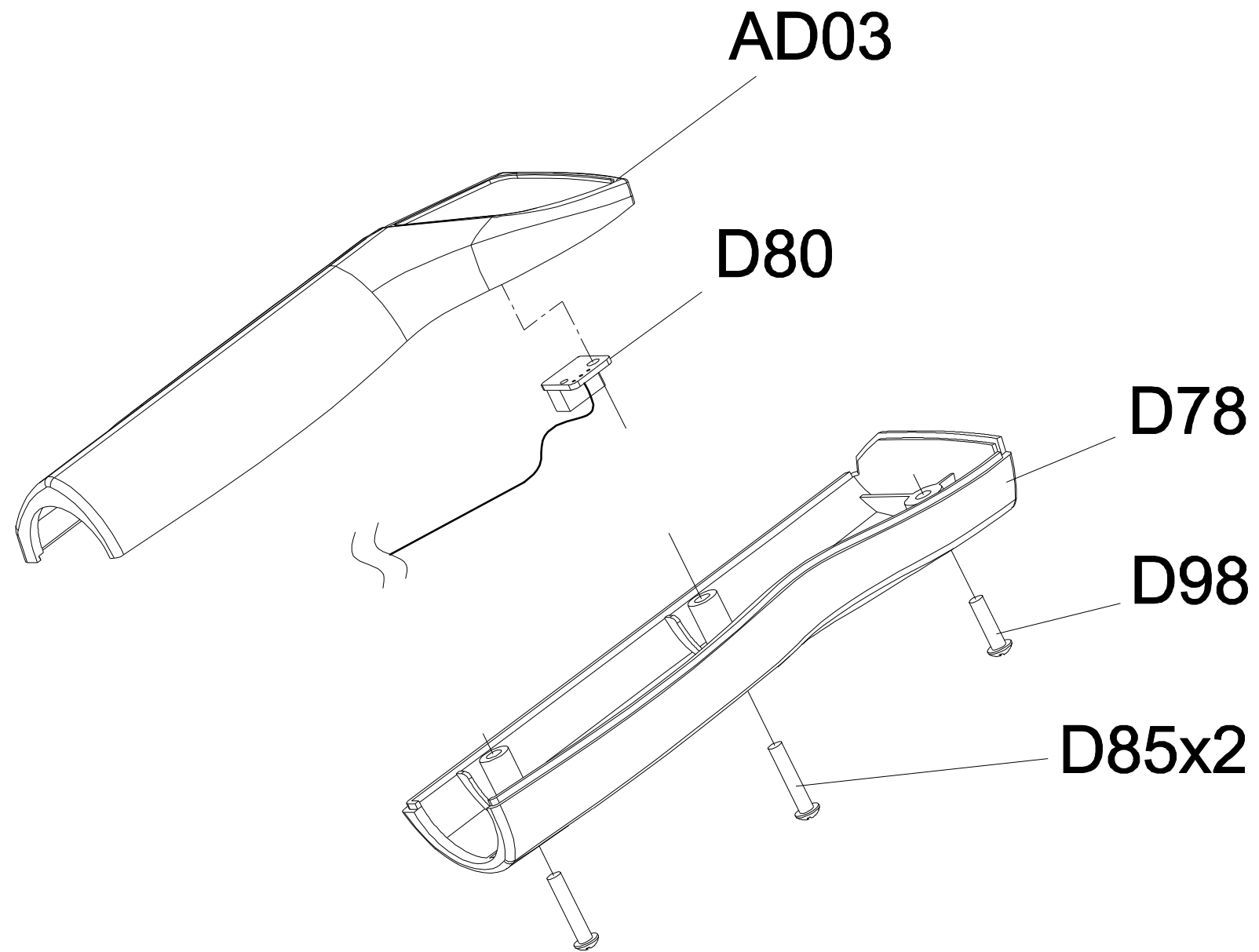
DRAWING NO	PRB212-US/KM-F		
PART NAME	Explosive Drawing		
PART NO	MRB0641-00	REV	A
APPROVE	Chen jianmin	DATE	2020.10.14



DRAWING NO	RB212-AR10		
PART NAME	Frame set		
PART NO	1000458959	REV	A
APPROVE	Chen jianmin	DATE	2020.10.07



DRAWING NO	RB212-AD07		
PART NAME	Handgrip Set;;left		
PART NO	1000458999	REV	A
APPROVE	Chen jianmin	DATE	2020.10.14



DRAWING NO	RB212-AD08		
PART NAME	Handgrip Set;;right		
PART NO	1000459002	REV	A
APPROVE	Chen jianmin	DATE	2020.10.14

