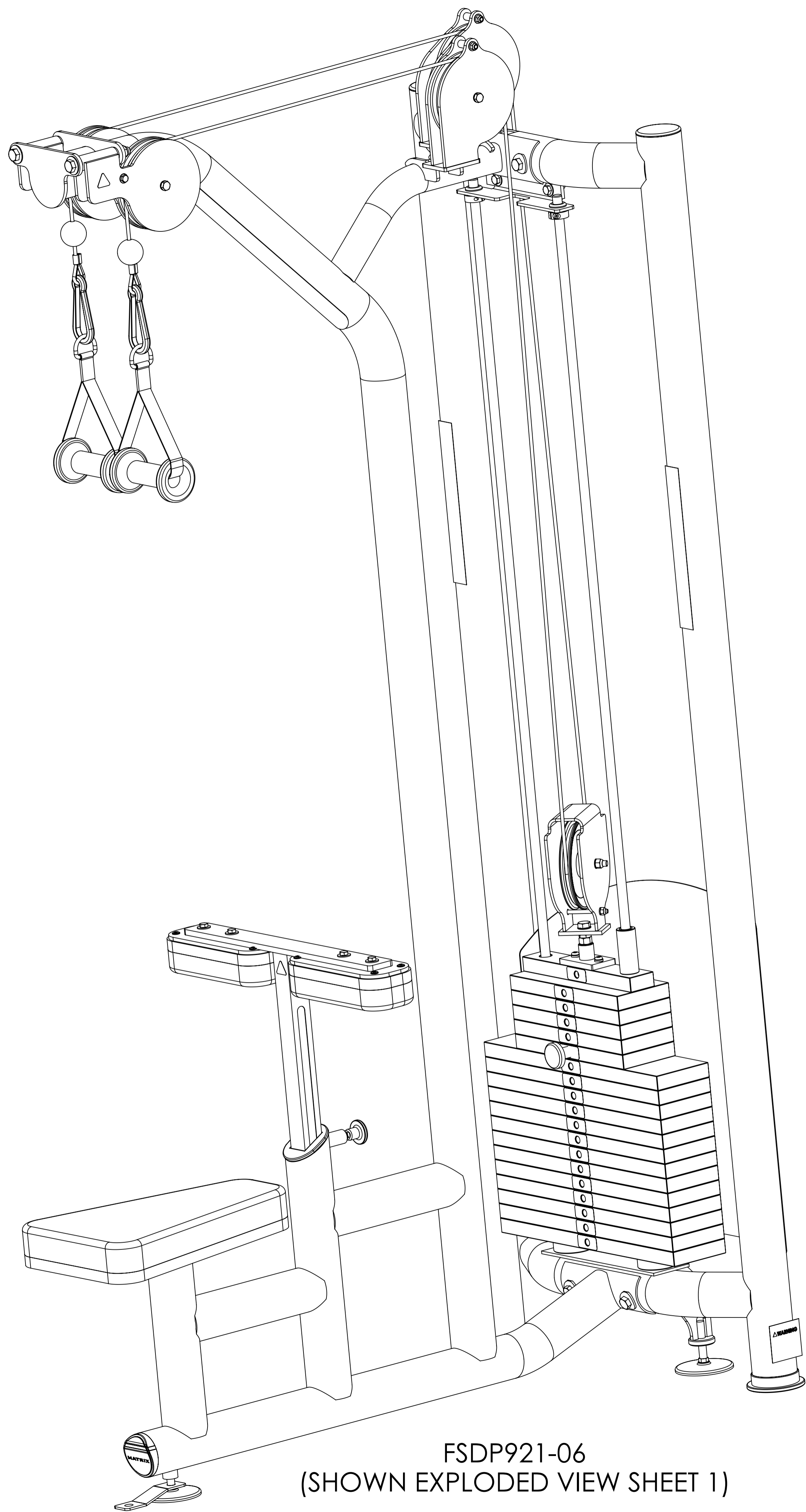
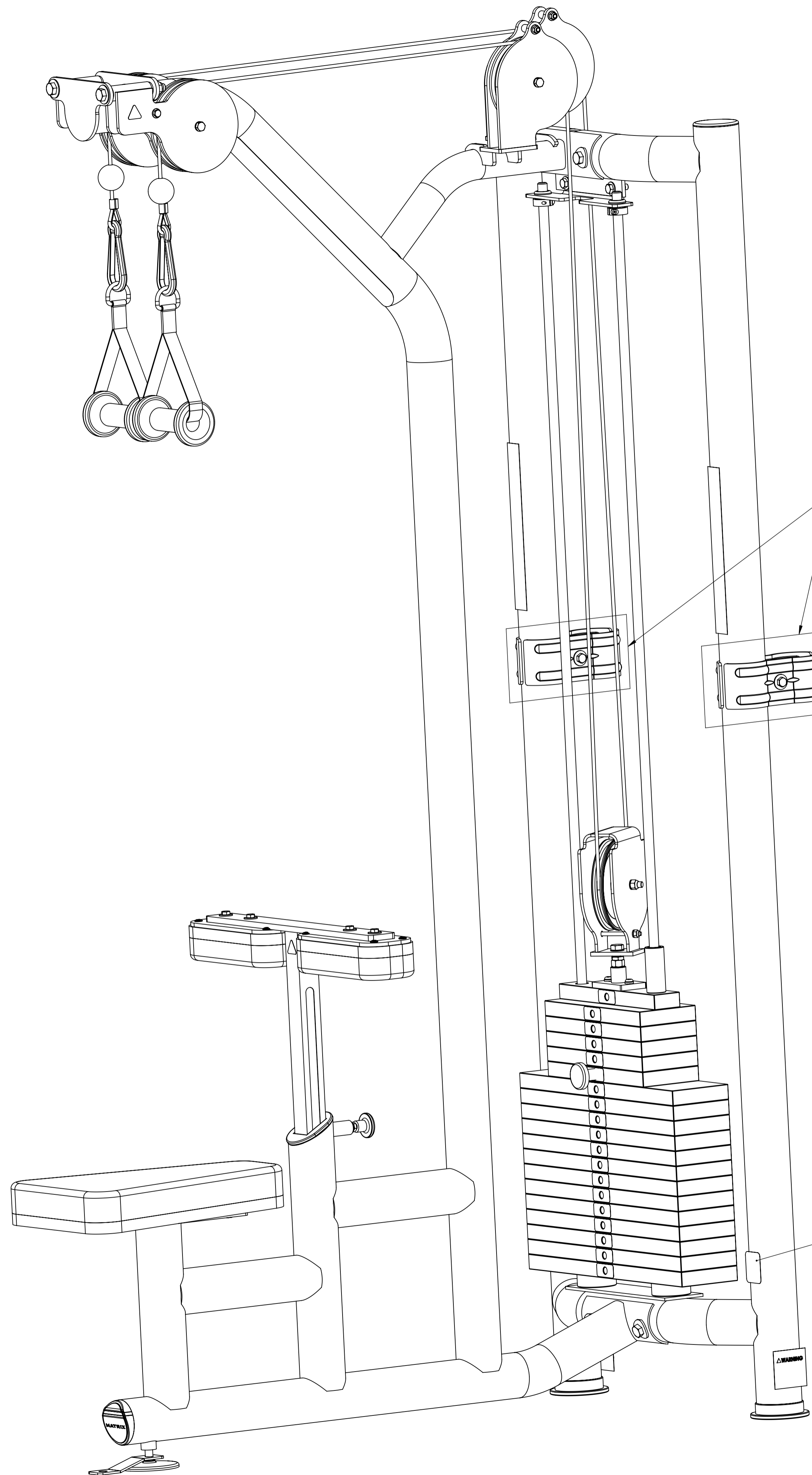


MATRIX

DWG NO. DP921-06 & FSDP921-06 SERVICE			
DESCRIPTION: Dual-pulley Lat Pulldown (Strength-Multi Station)			
DRAWN BY:	LMB	DATE:	2018.JAN.25
UPDATED BY:	LG	DATE:	2019.SEP.04



FSDP921-06
(SHOWN EXPLODED VIEW SHEET 1)



DP921-06
(REQUIRES COUPLER CLAMPS)

SEE COUPLER
CLAMP SHEET

V1

MATRIX

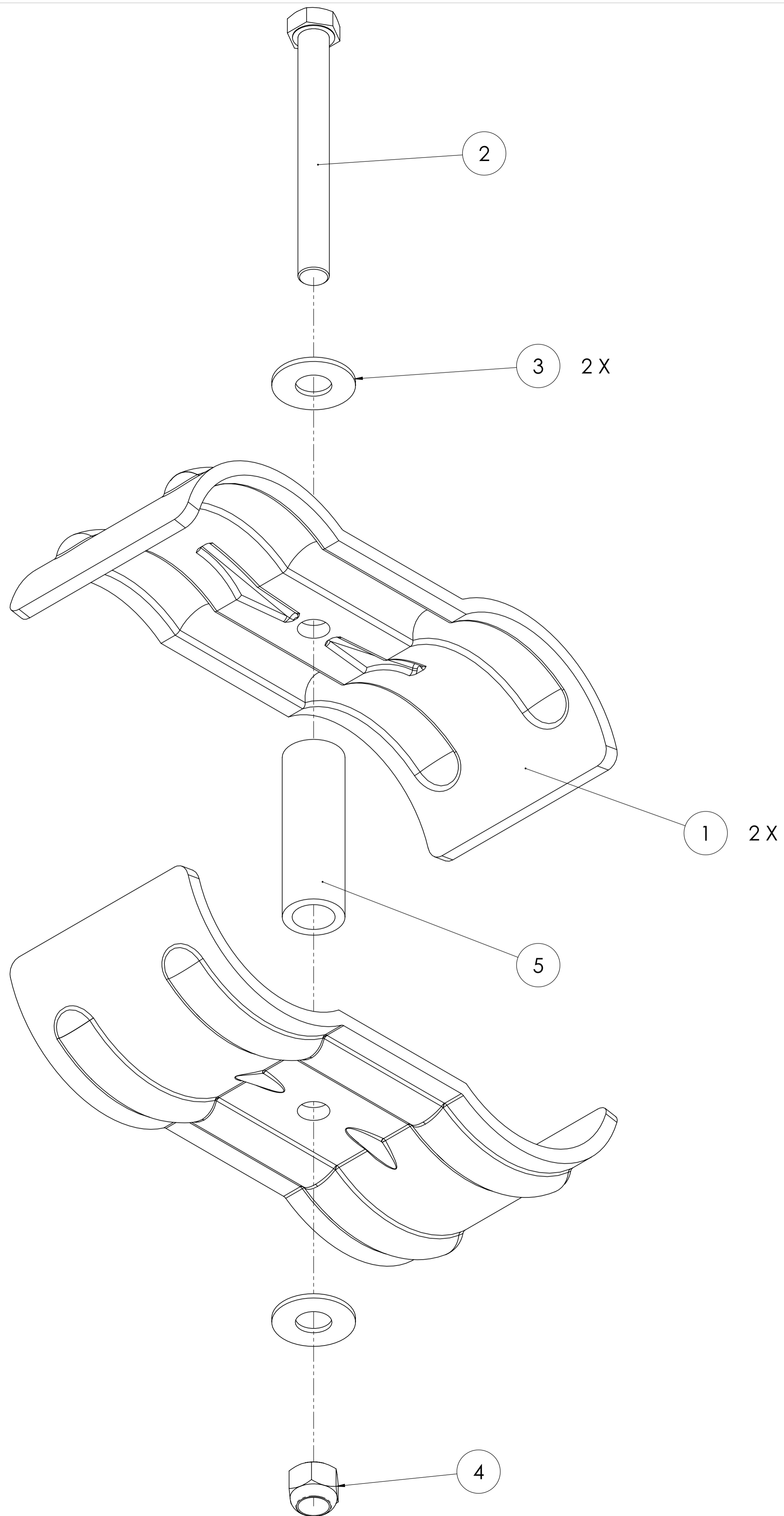
DWG NO.

DP921-06 & FSDP921-06 SERVICE

DESCRIPTION:
Dual-pulley Lat Pulldown
(Strength-Multi Station)

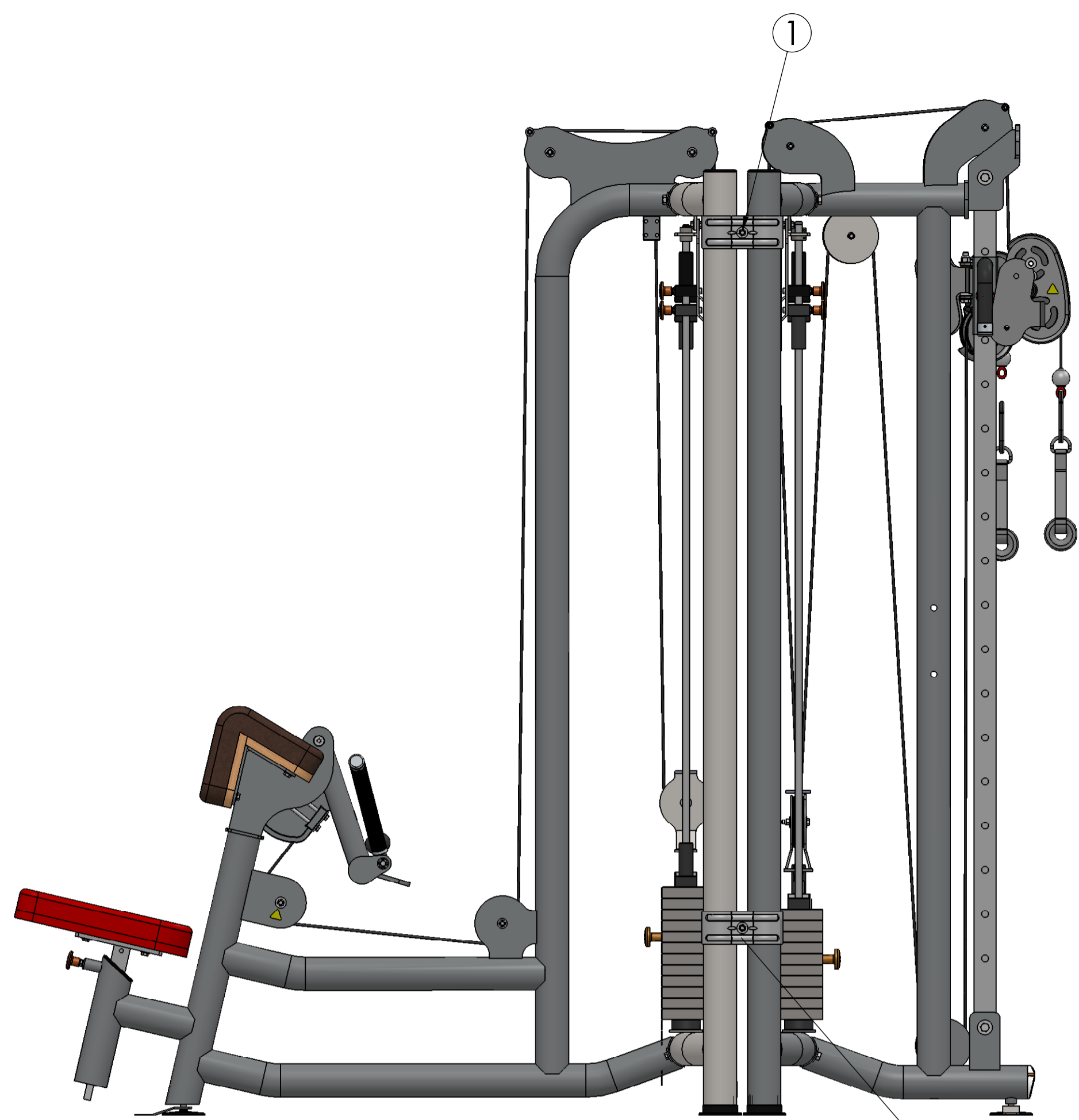
DRAWN BY: LMB DATE: 2018.JAN.25

UPDATED BY: LG DATE: 2019.SEP.04



MATRIX

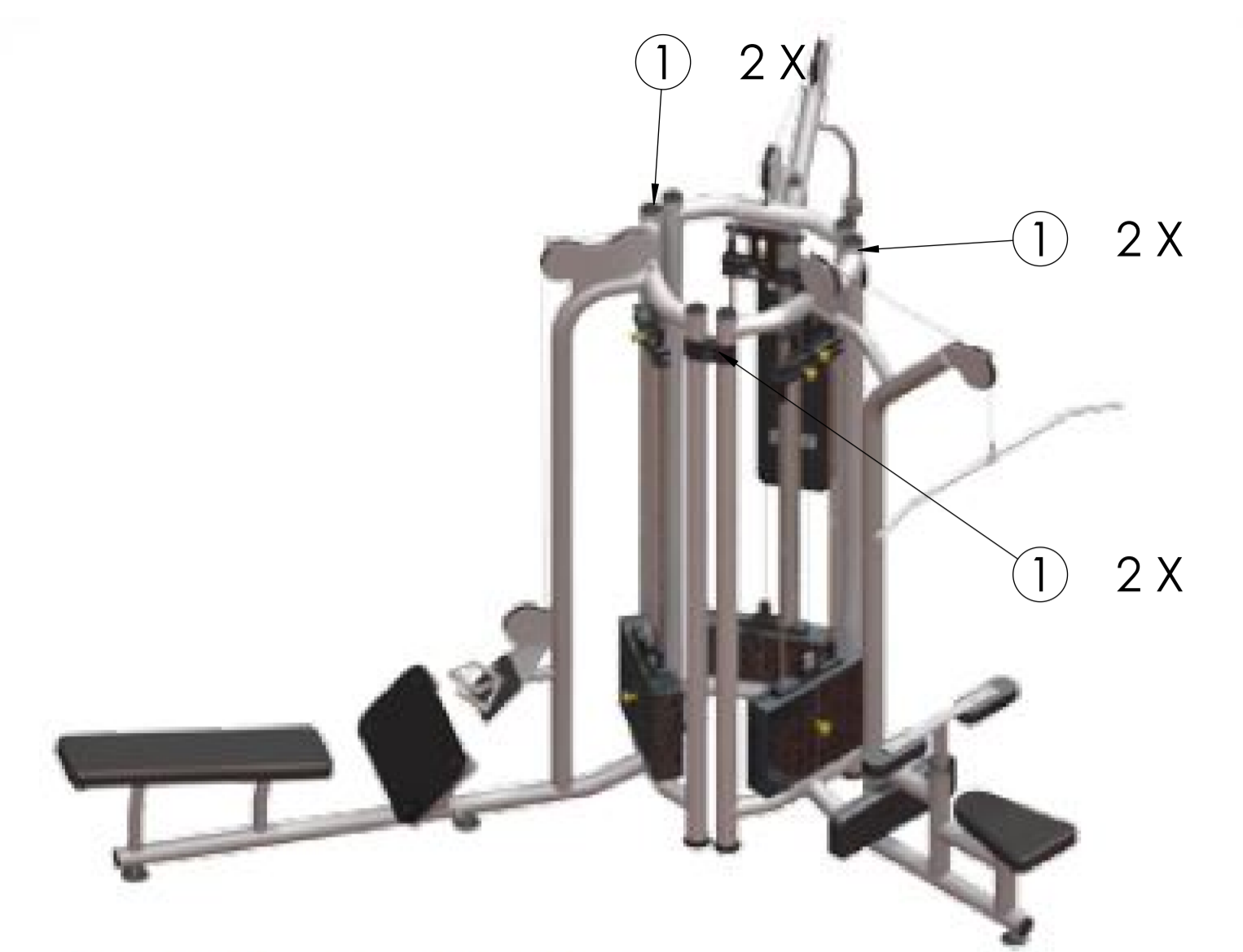
DWG NO.	160-257 SERVICE	
DESCRIPTION:	900 SERIES TOWER CLAMP (SINGLE) (Strength - Multi Station)	
DRAWN BY:	LMB	DATE: 2016.JAN.14
UPDATED BY:		DATE:



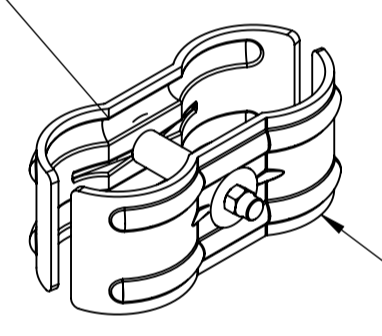
TWO STACK



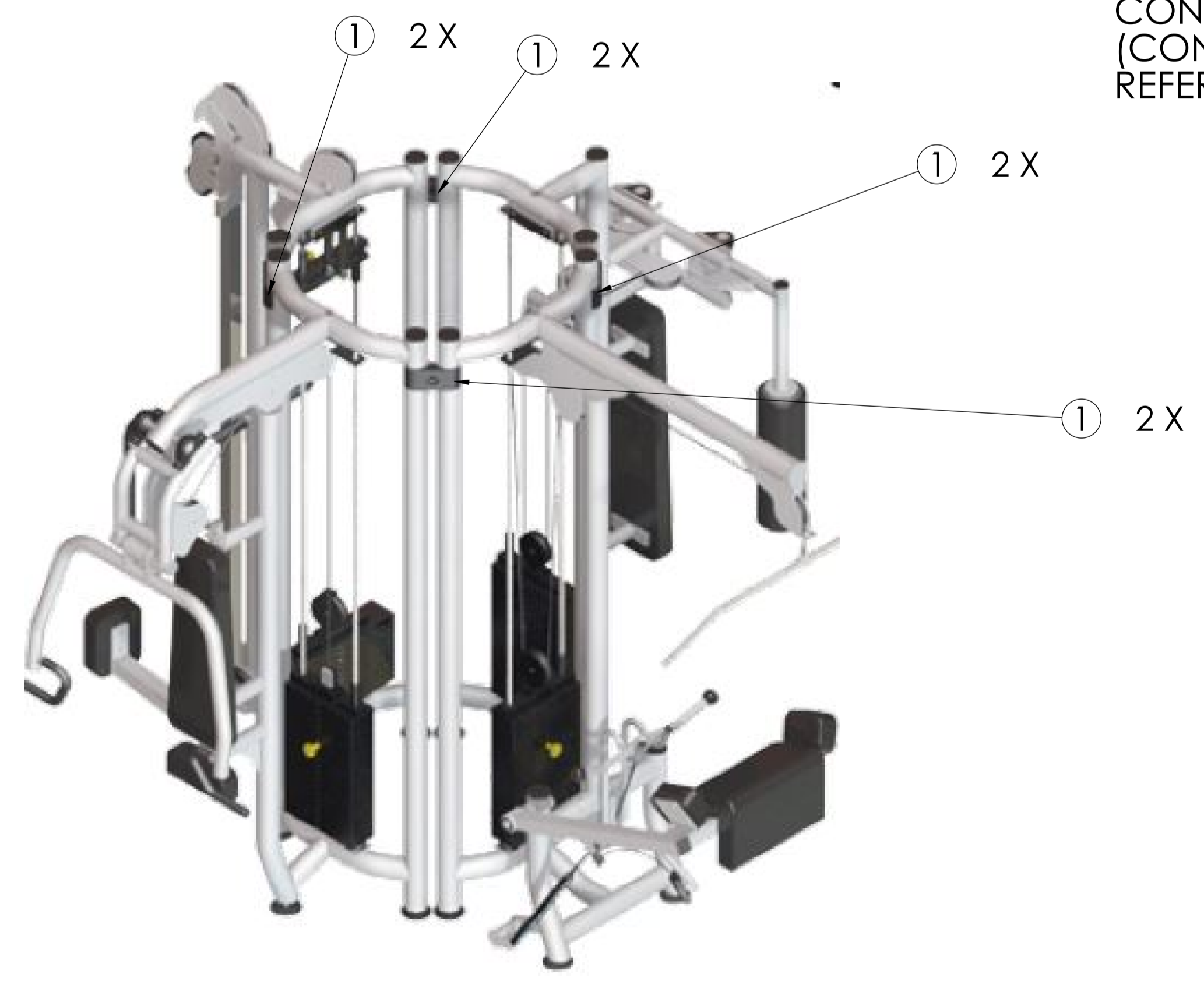
TWO STACK



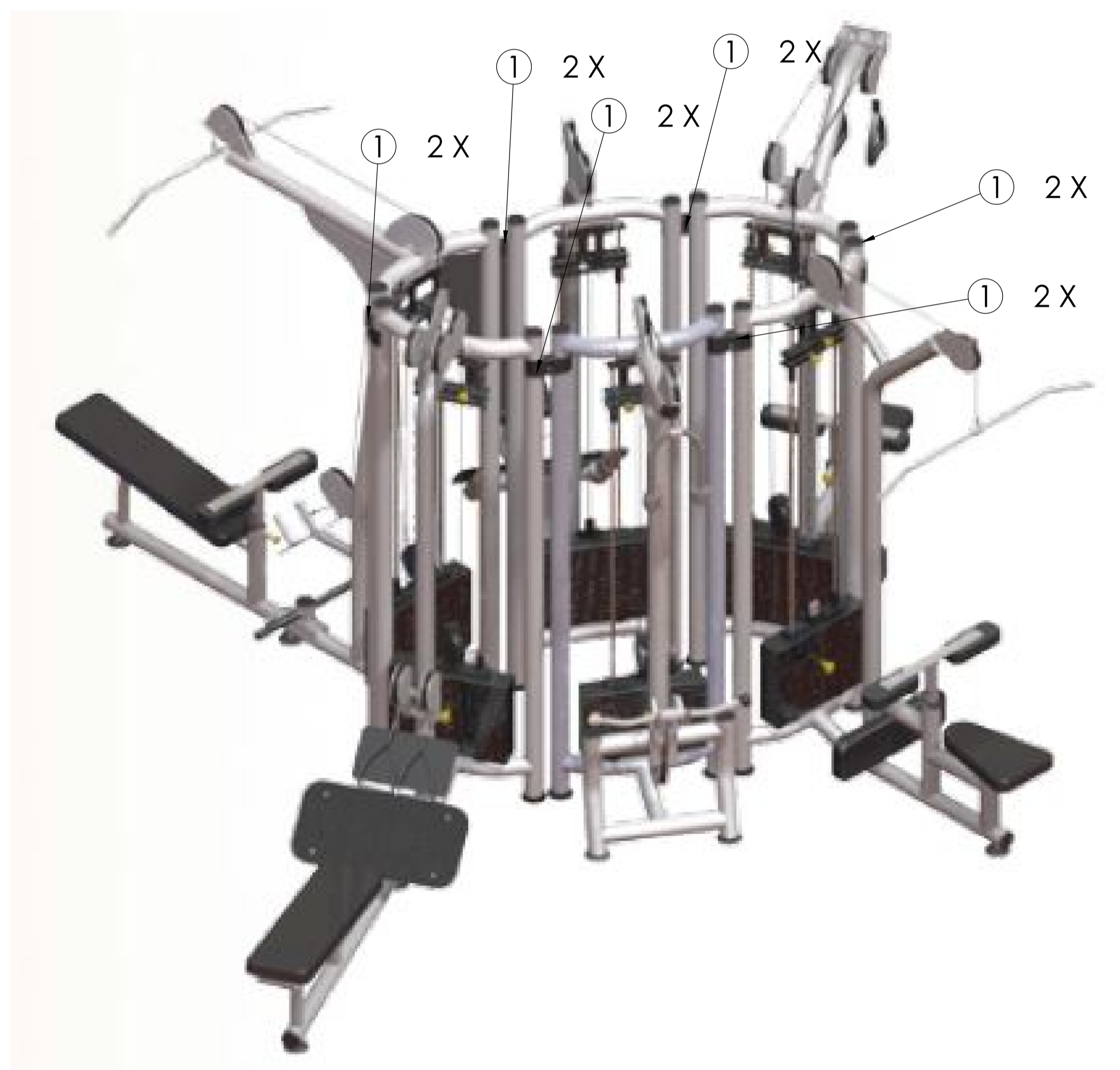
THREE STACK



EXPLODED VIEW SHOWN ON SHEET 1
 NOTE: QUANTITY REQUIRED FOR EACH CONFIGURATION WILL VARY
 (CONFIGURATIONS SHOWN ARE FOR REFERENCE ONLY)



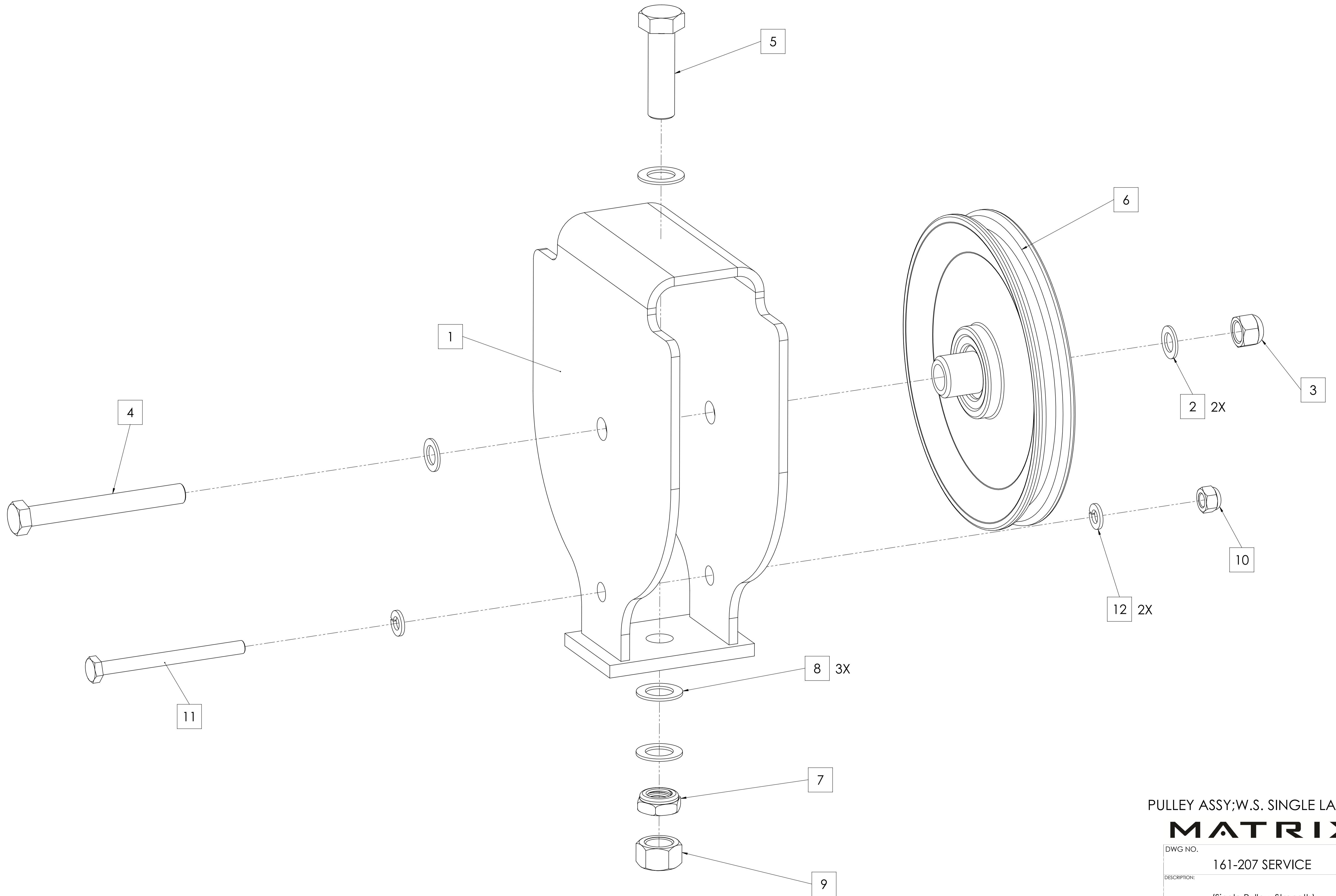
FOUR STACK



SIX STACK

MATRIX

DWG NO.	160-257 SERVICE	
DESCRIPTION:	COUPLER(CONFIGURATIONS) (Strength - Multi Station)	
DRAWN BY:	LMB	DATE: 2016.JAN.14
UPDATED BY:		DATE:



PULLEY ASSY;W.S. SINGLE LARGE

MATRIX

DWG NO.

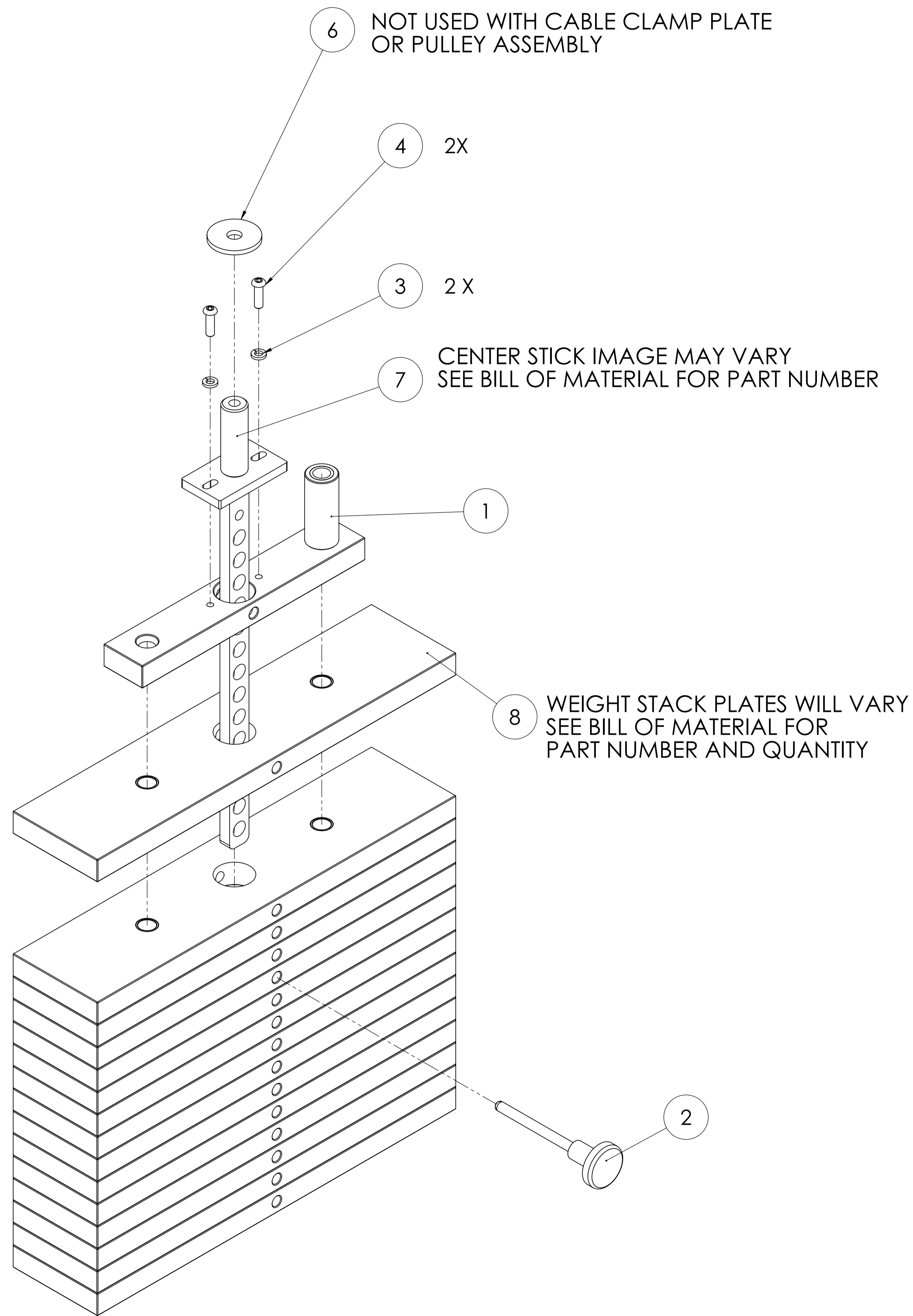
161-207 SERVICE

DESCRIPTION:

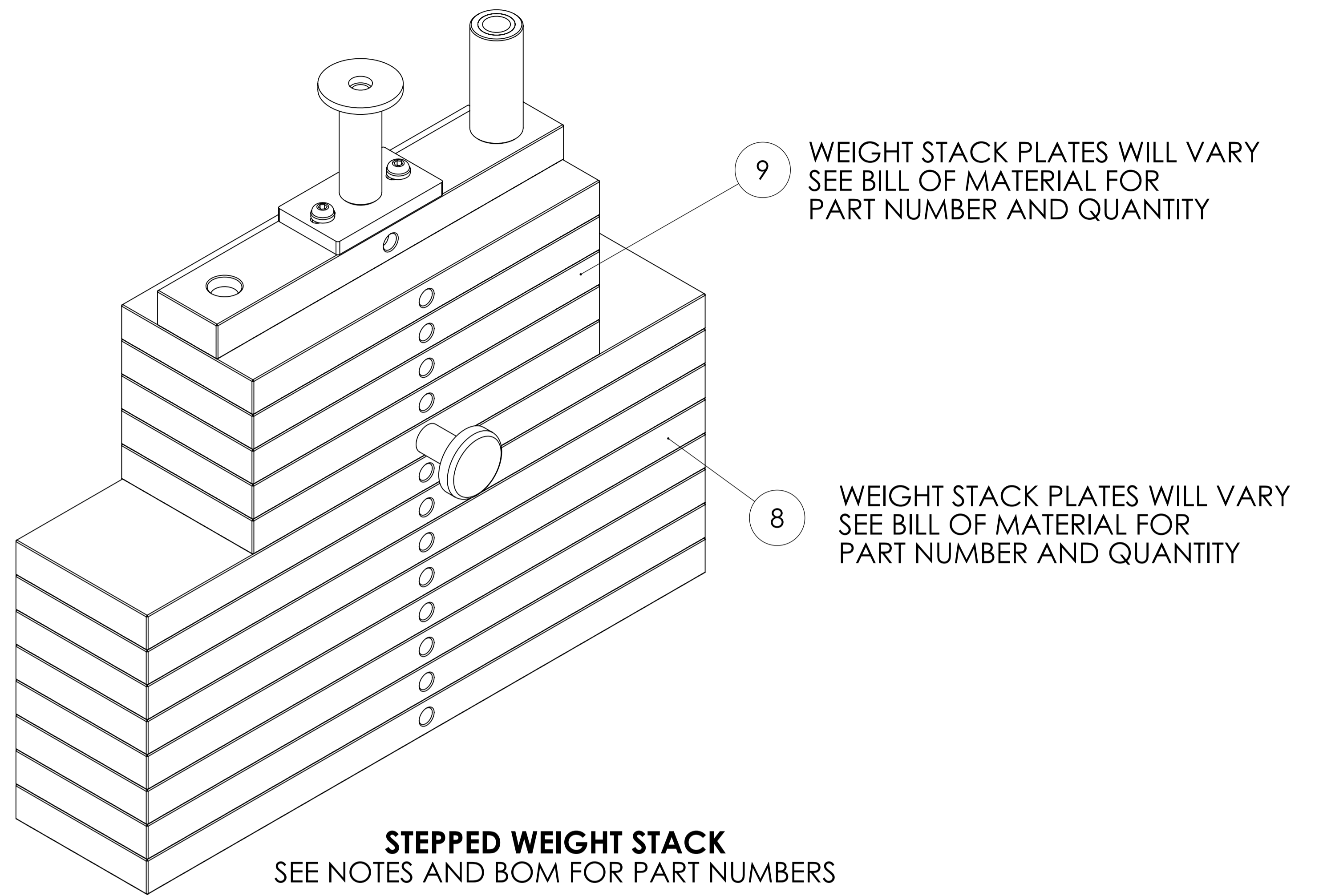
(Single Pulley- Strength)

DRAWN BY: LMB DATE: 2017.JAN.17

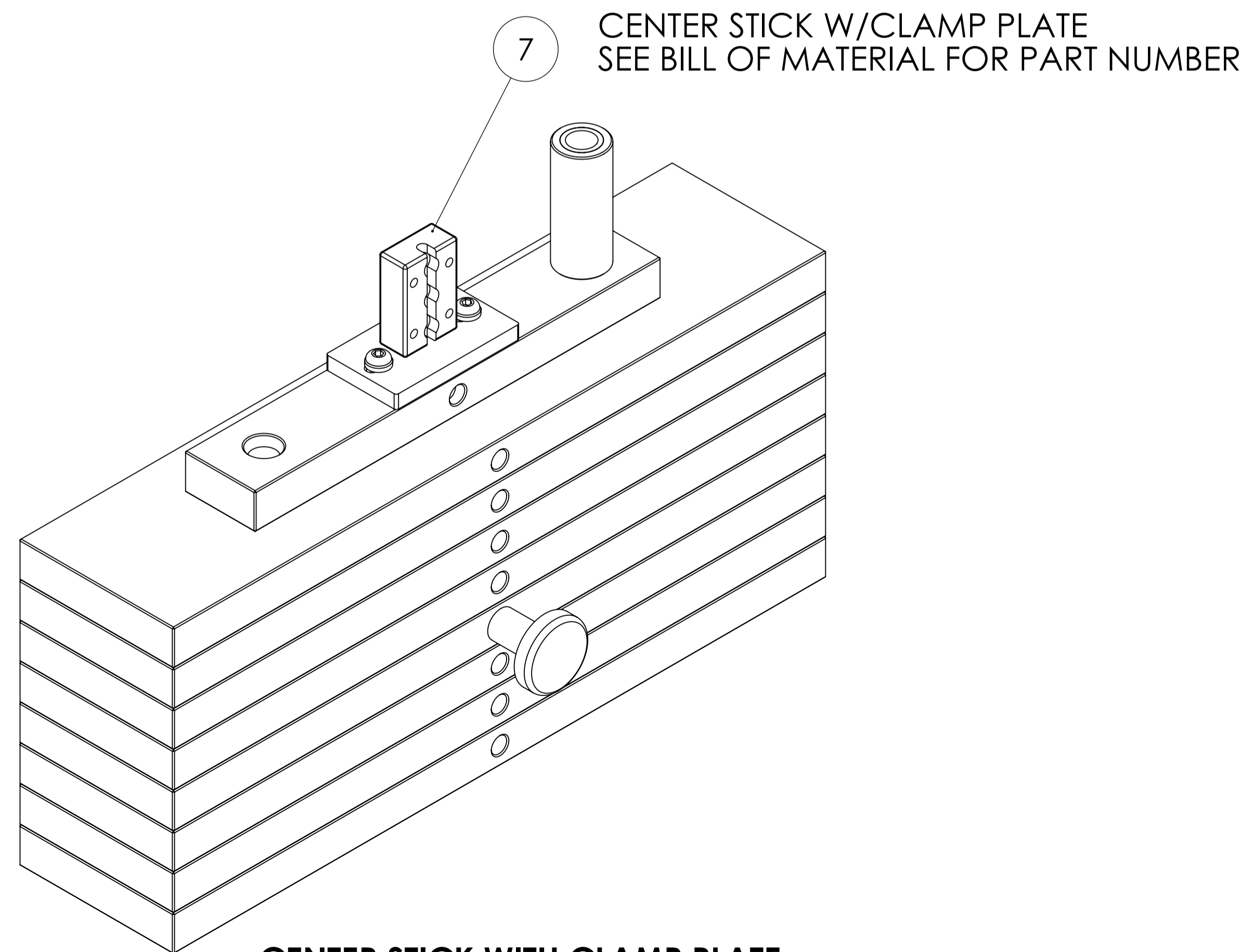
UPDATED BY: -- DATE: --



**CENTER STICK WITH MOUNTING POST
CABLE MOUNTED WITH TAKE UP BOLT OR PULLEY
(SHOWN EXPLODED)
SEE NOTES AND BOM FOR PART NUMBERS**



**STEPPED WEIGHT STACK
SEE NOTES AND BOM FOR PART NUMBERS**



**CENTER STICK WITH CLAMP PLATE
SEE NOTES AND BOM FOR PART NUMBERS**

MATRIX

DWG NO.		
_WEIGHT STACK SERVICE		
DESCRIPTION: WEIGHT STACK/CENTERSTICK ASSY (Take Up Bolt, Pulley & Clamp Style)		
DRAWN BY:	LMB	DATE: 2013.OCT.10
UPDATED BY:	LMB	DATE: 2017.DEC.29