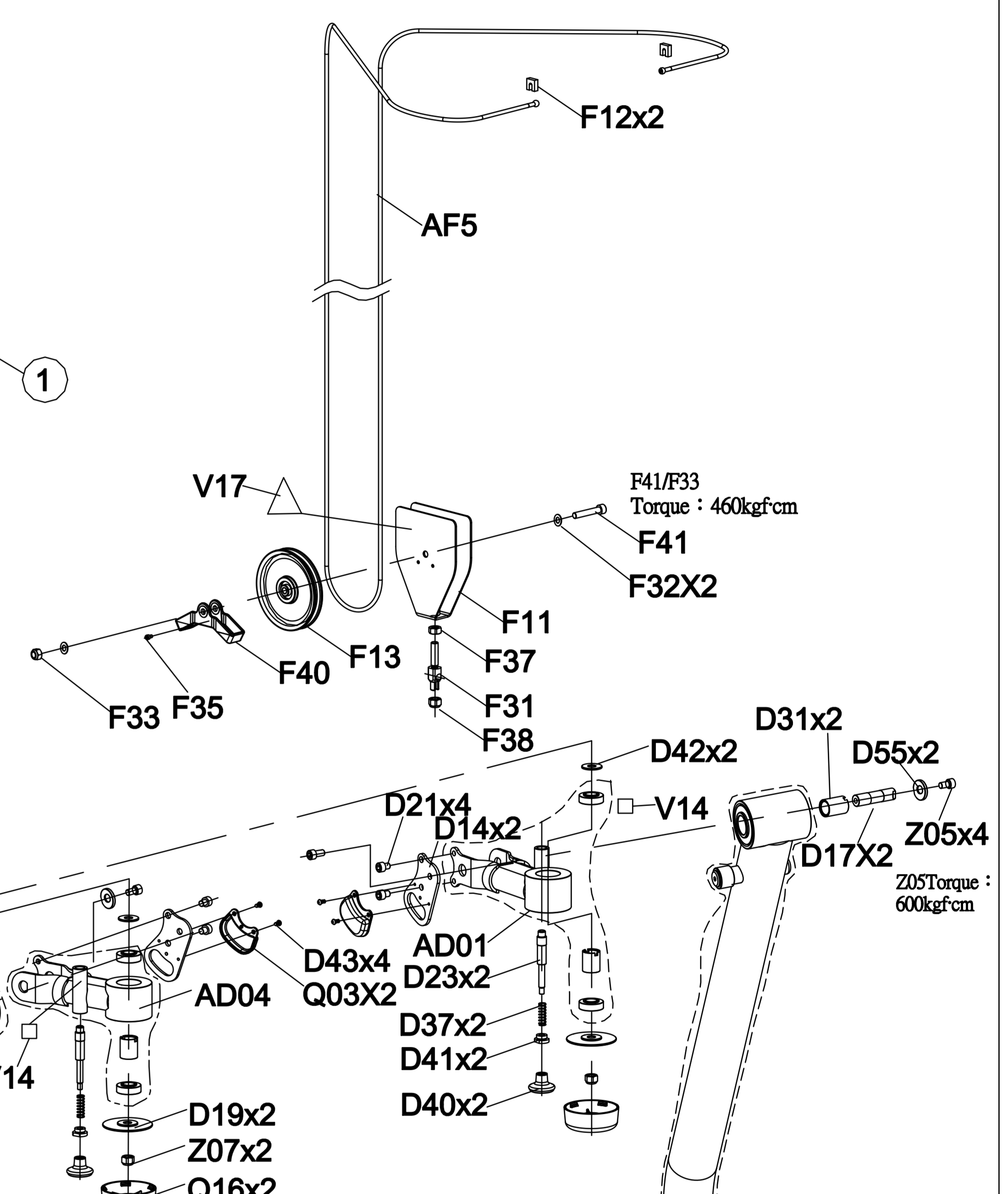
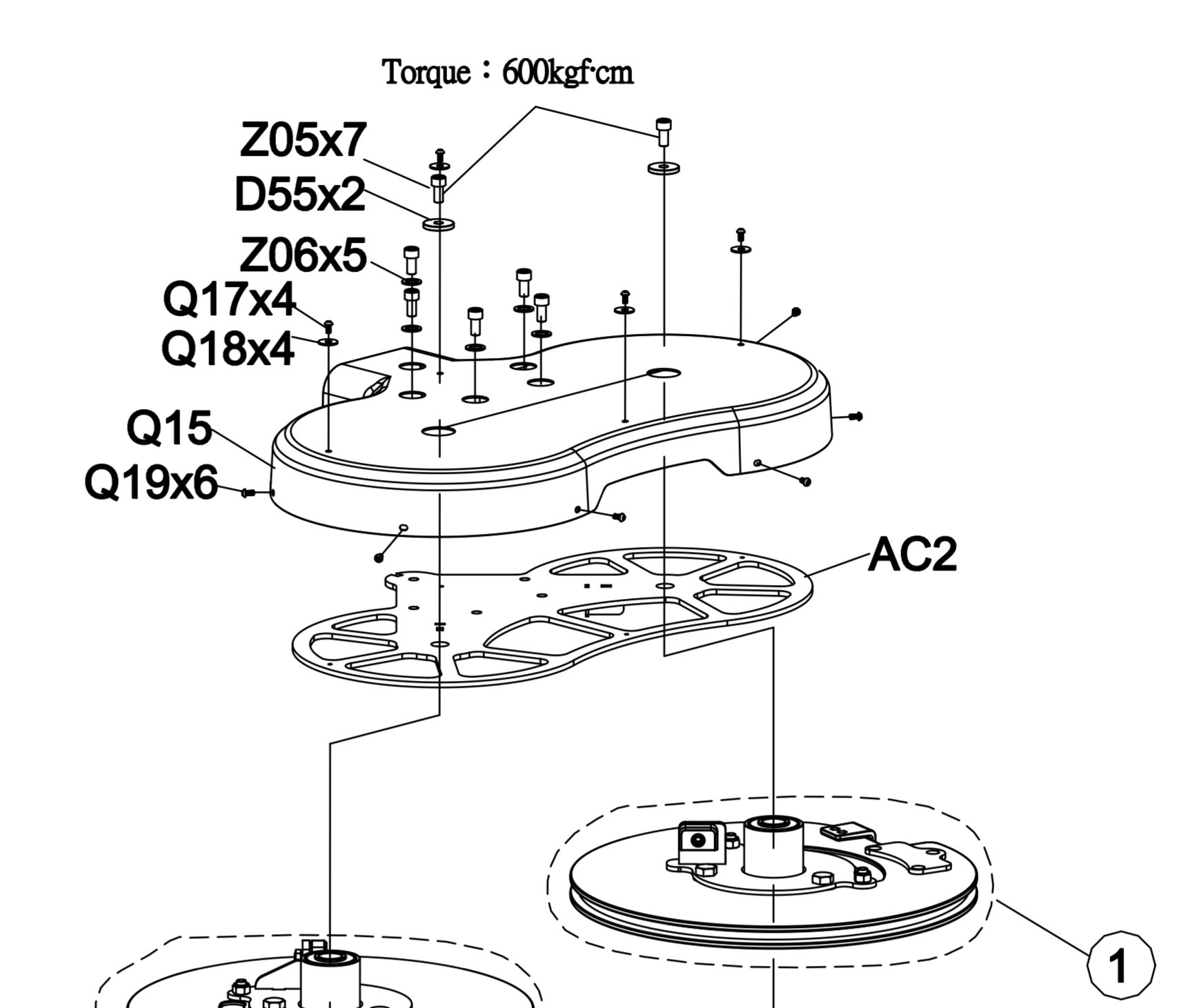
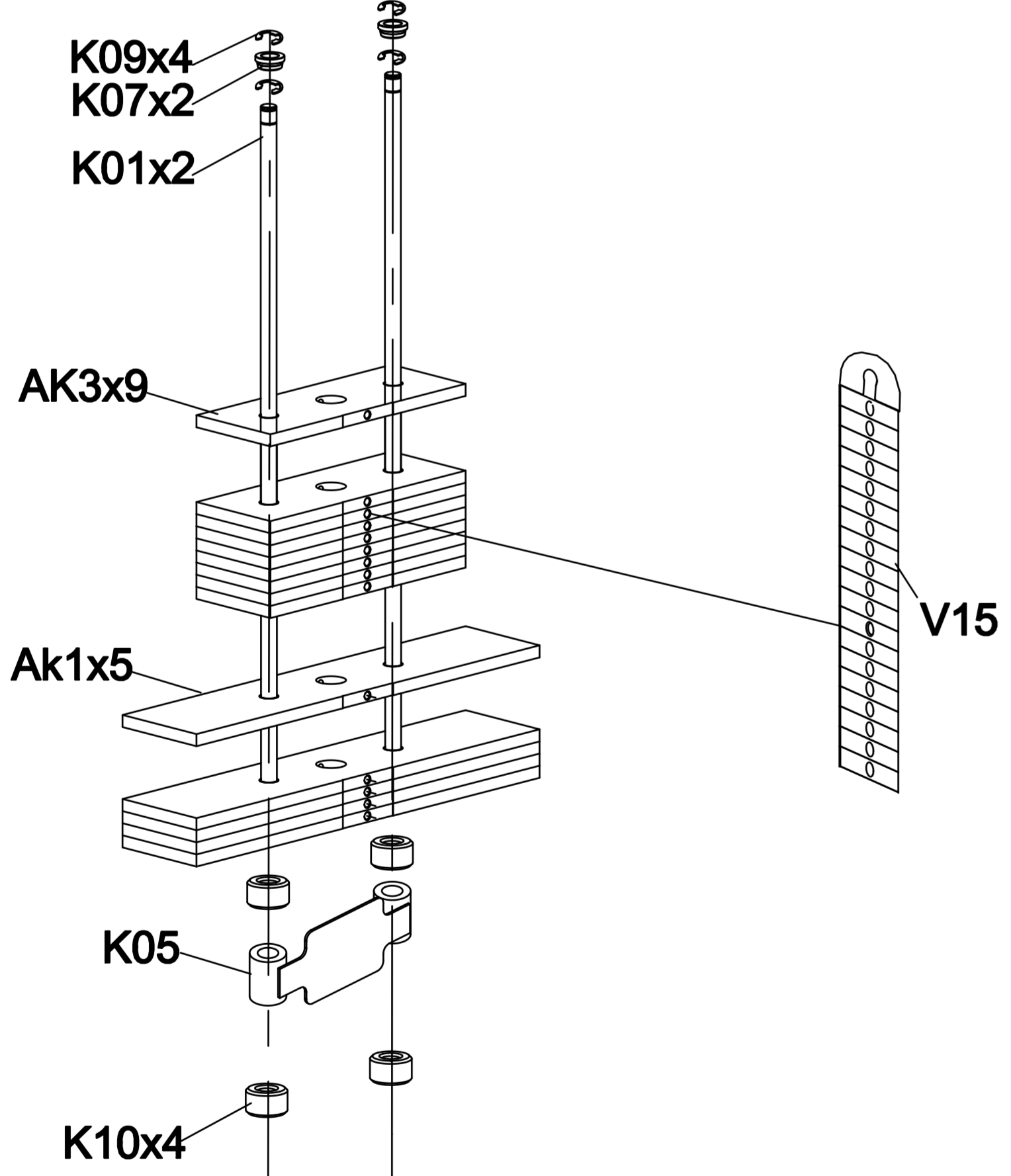
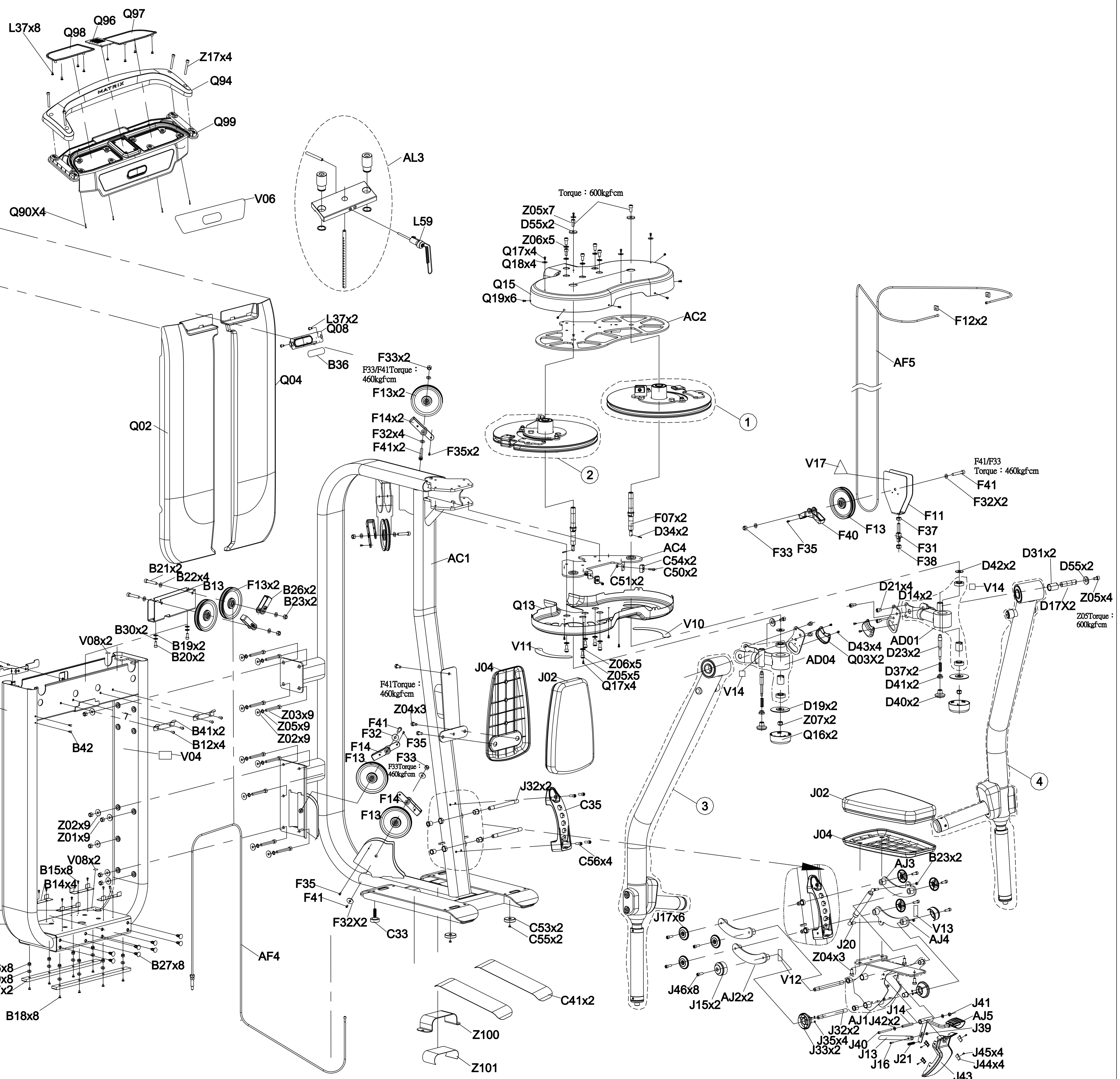
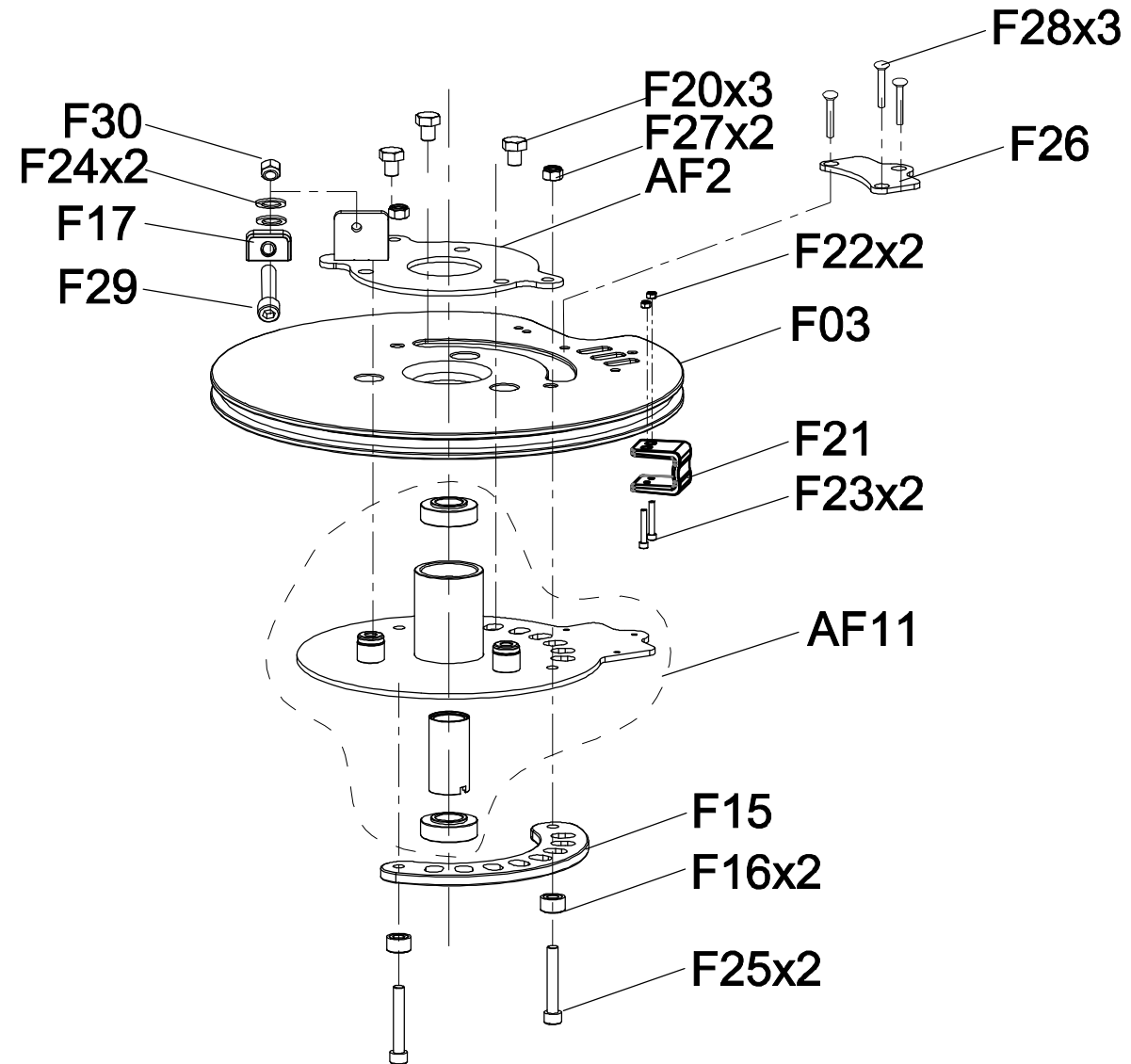


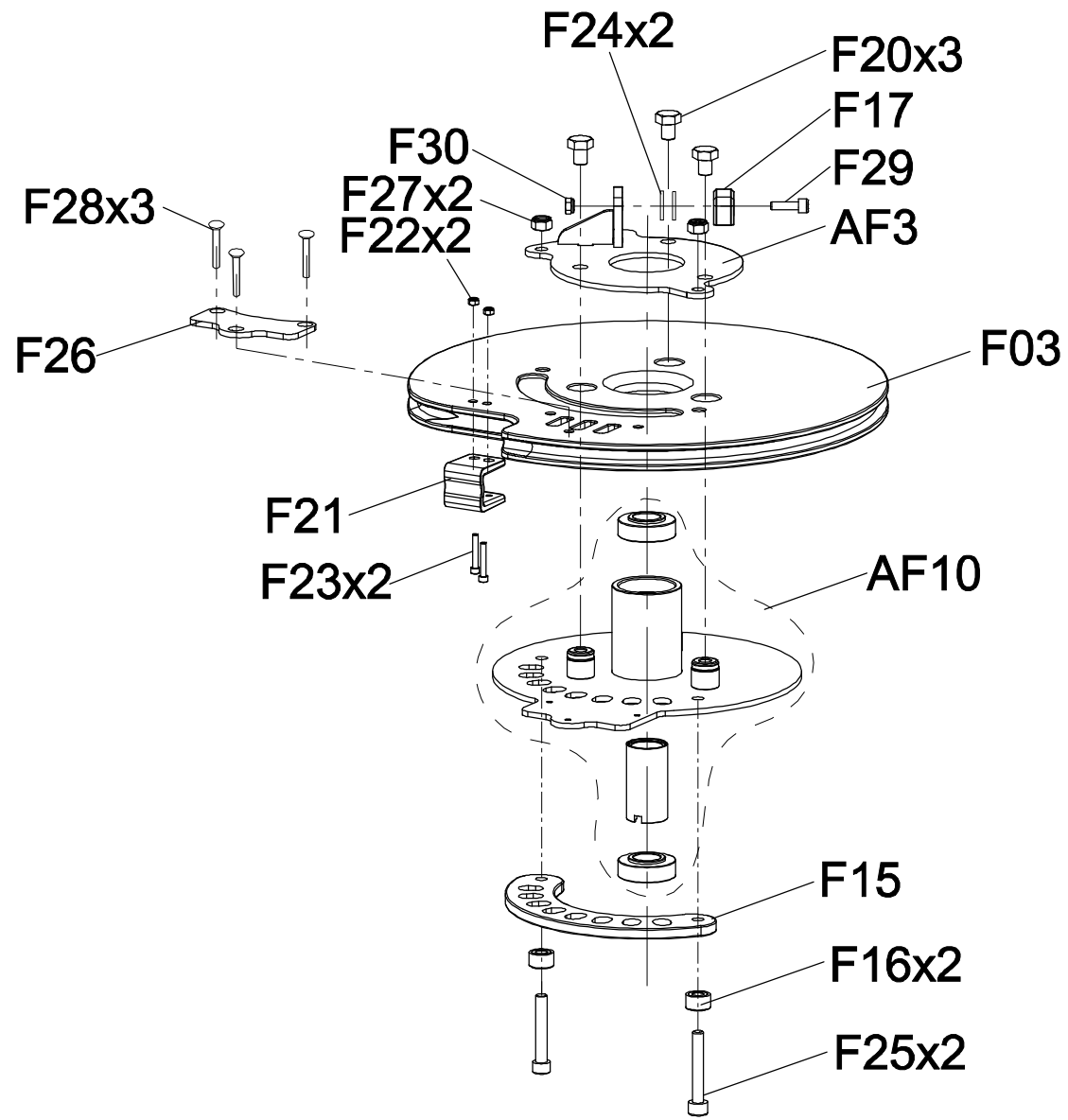
DRAWING NO	PG7GM225-KM		
PART NAME	Explosive Diagram		
PART NO	MGM0797-00	REV	A
APPROVE	Ouyanggang	DATE	11.13.2020



DRAWING NO	GM125-AF01		
PART NAME	Cam set;Semi-Assy;L		
PART NO	1000399641		B
APPROVE	JETTA	DATE	11.15.2019

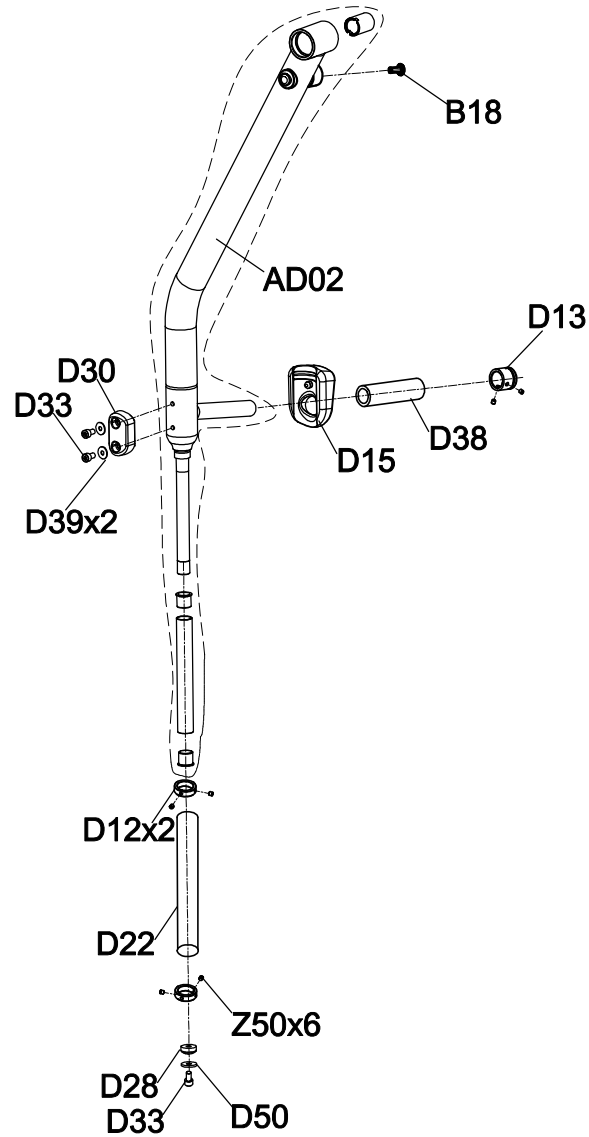


DRAWING NO	GM125-AF06		
PART NAME	Cam set;Semi-Assy;R		
PART NO	1000399642		C
APPROVE	JETTA	DATE	11.12.2019



DRAWING NO	GM225-SF01					
PART NAME	Grip group;L					
PART NO	See Chart	<table border="1" style="display: inline-table; vertical-align: middle;"><tr><td>R</td></tr><tr><td>E</td></tr><tr><td>V</td></tr></table>	R	E	V	A
R						
E						
V						
APPROVE	Ouyanggang	DATE	11.24.2020			

Part NO.	Color
1000457207	Iced Sliver
1000457209	Platinum
1000457210	Polarized Titanium
1000457211	Lace White
1000457212	Pearl White
1000457213	Mat Black
1000457214	Black Glossy
1000457215	Graphite Grey



DRAWING NO	GM225-SF02		
PART NAME	Grip group;R		
PART NO	See Chart	REV	A
APPROVE	Ouyanggang	DATE	11.25.2020

Part NO.	Color
1000457218	Iced Sliver
1000457219	Platinum
1000457220	Polarized Titanium
1000457221	Lace White
1000457222	Pearl White
1000457223	Mat Black
1000457224	Black Glossy
1000457225	Graphite Grey

