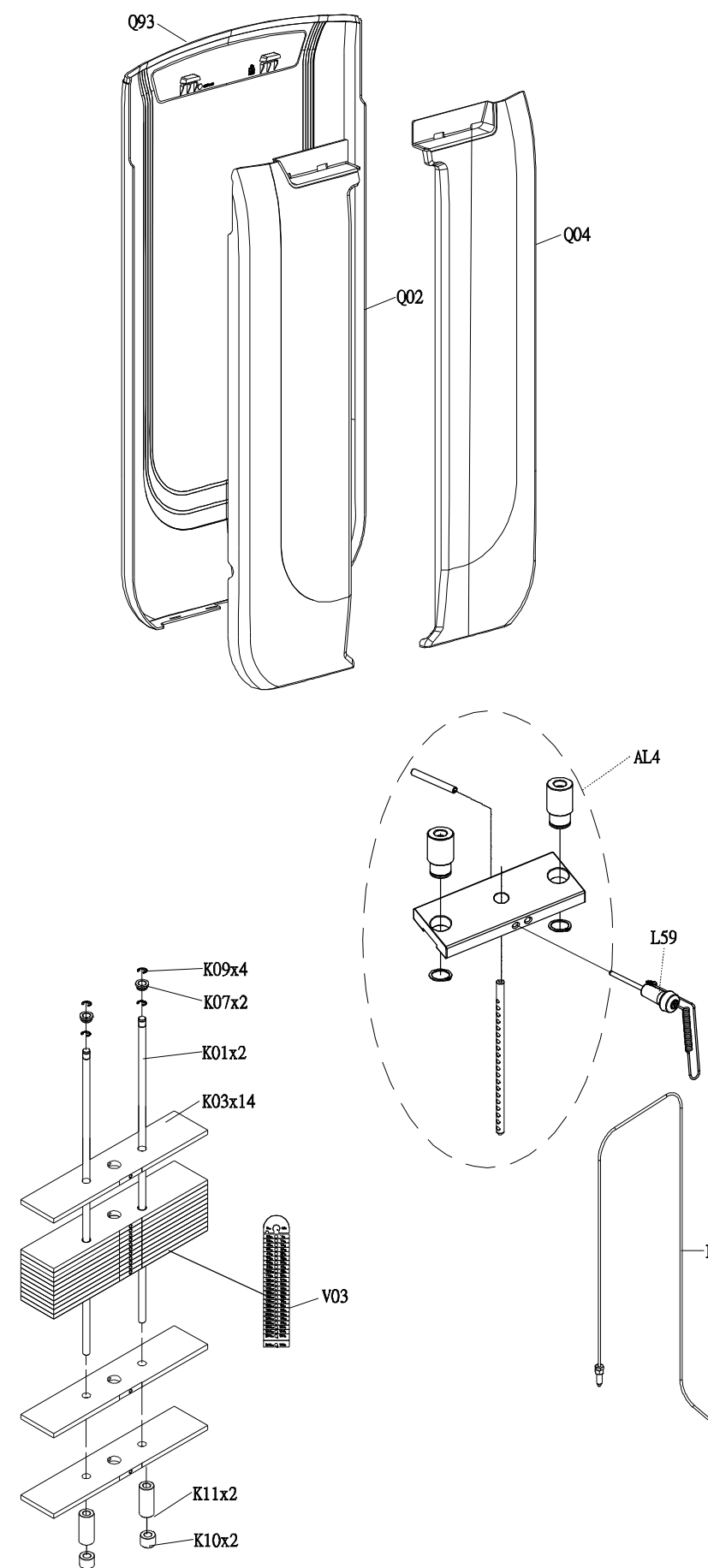
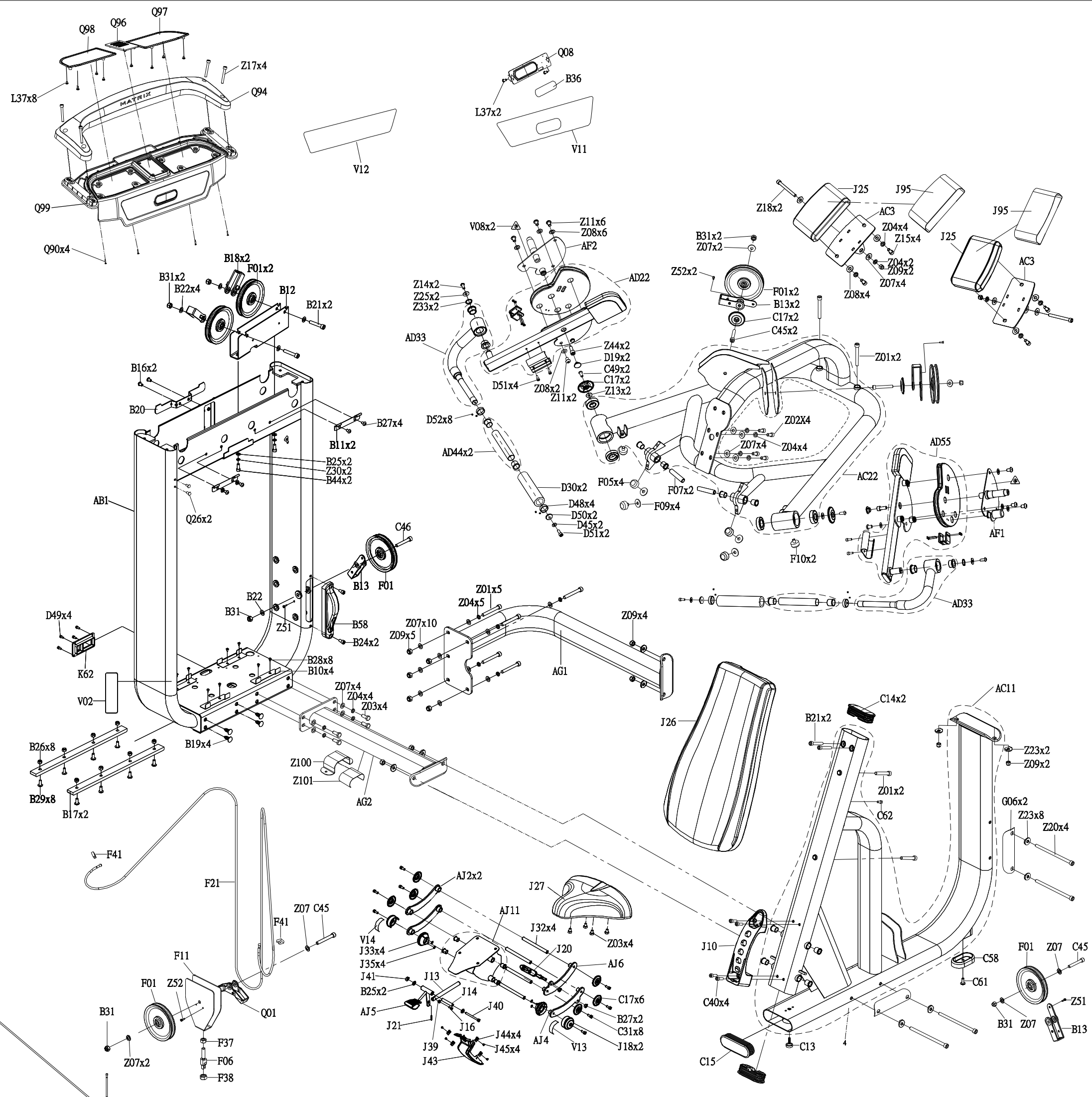


DRAWING NO	PG7GM222-KM		
PART NAME	Explosive Drawing		
PART NO	MGM0806-00	REV	A
APPROVE	Louis	DATE	11.10.2020



DRAWING NO	GM122-A11		
PART NAME	Pedal Arm set;Semi-Assy;left		
PART NO	See Chart	REV A	
APPROVE	ABBY	DATE	08.31.2018

Part NO.	Color
1000420180	Iced Sliver
1000420181	Platinum
1000420182	Polarized Titanium
1000420183	Lace White
1000420184	Pearl White
1000420185	Mat Black
1000420186	Black Glossy
1000430436	Clear Coat

