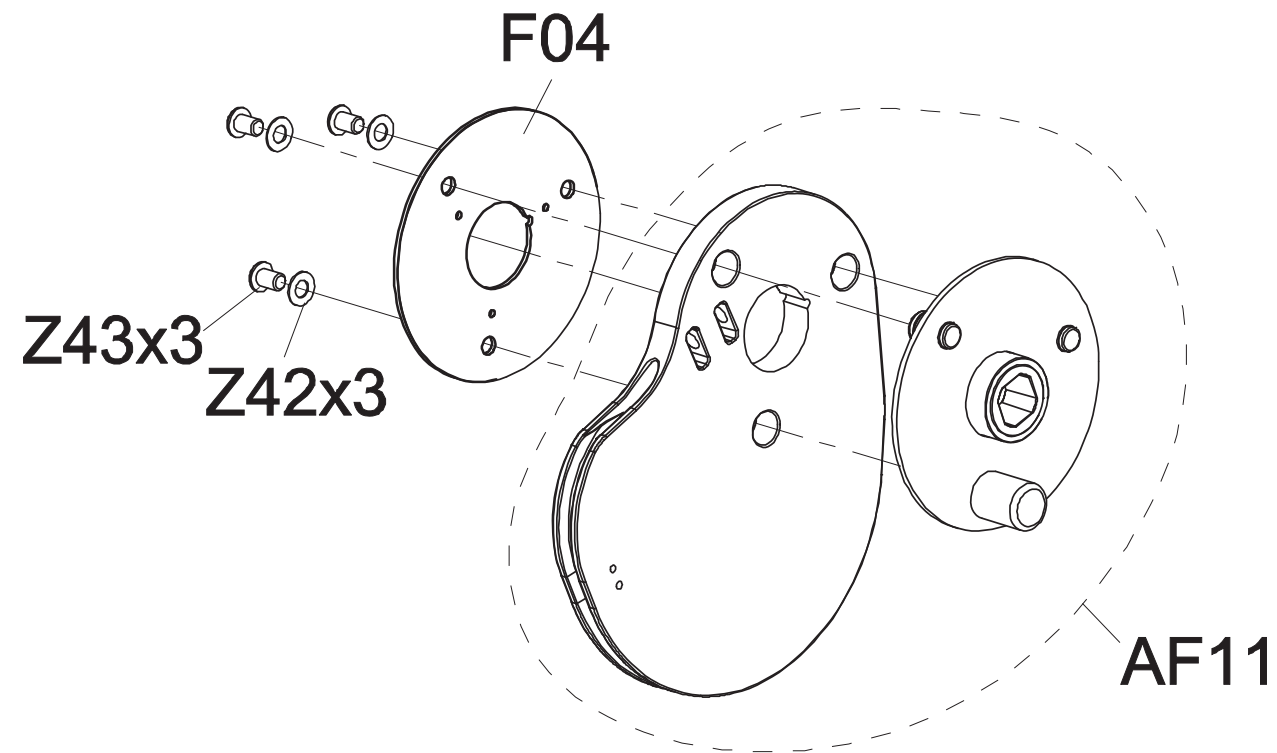

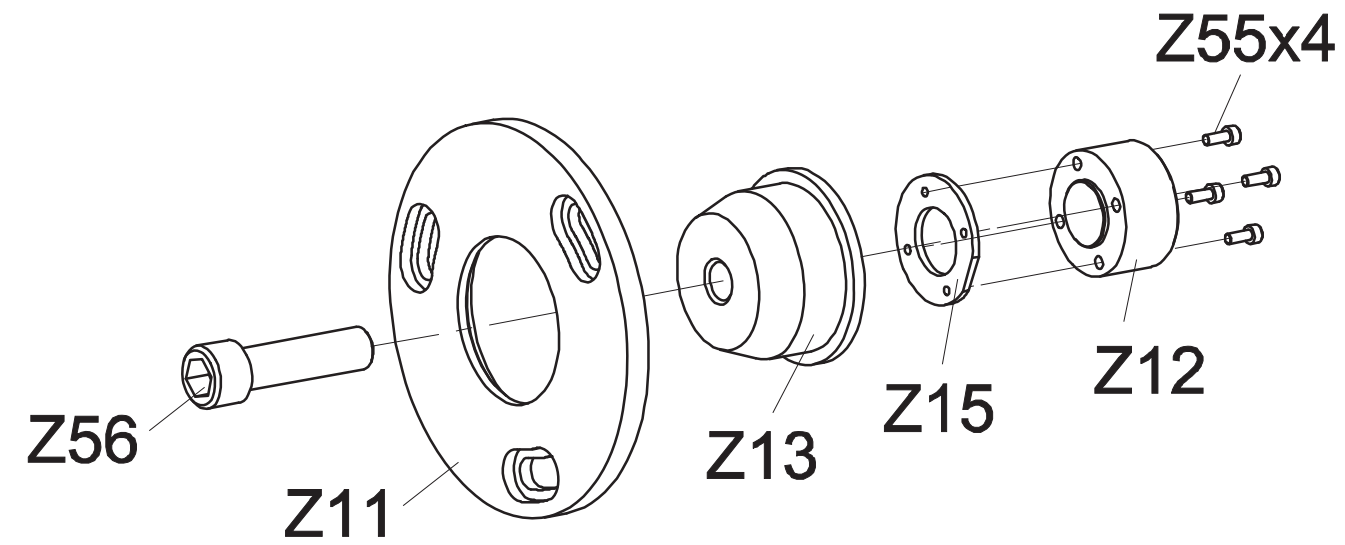


DRAWING NO	GM113-SF03		
PART NAME	Cam Fixing Set : Assembling		
PART NO	See Chart	REV	A
APPROVE	ZERO	DATE	04.22.2019

Part NO.	Color
1000413479	Iced Sliver
1000413498	Platinum
1000413500	Polarized Titanium
1000413502	Lace White
1000413524	Pearl White
1000413531	Mat Black
1000413559	Black Glossy
1000427297	PF Purple;RAL4008
1000440495	PF YELLOW RAL1023



DRAWING NO	GM113-SF04		
PART NAME	Disassembly connect set;CAM ;Assembling		
PART NO	1000420787		A
APPROVE	ALEX	DATE	06.25.2018



Notes:

Z11 and Z13, tight fit, must be equipped with hydraulic press.