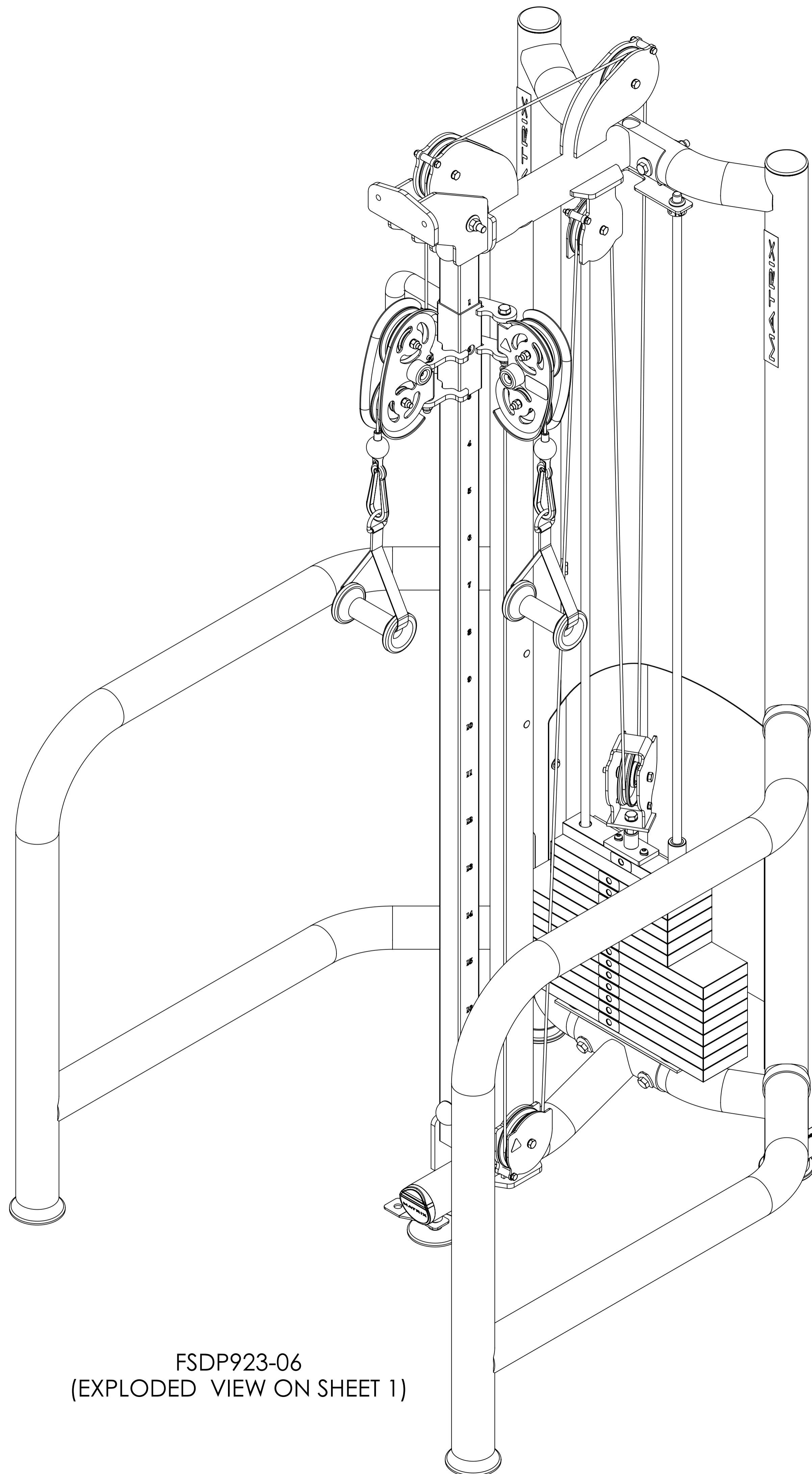
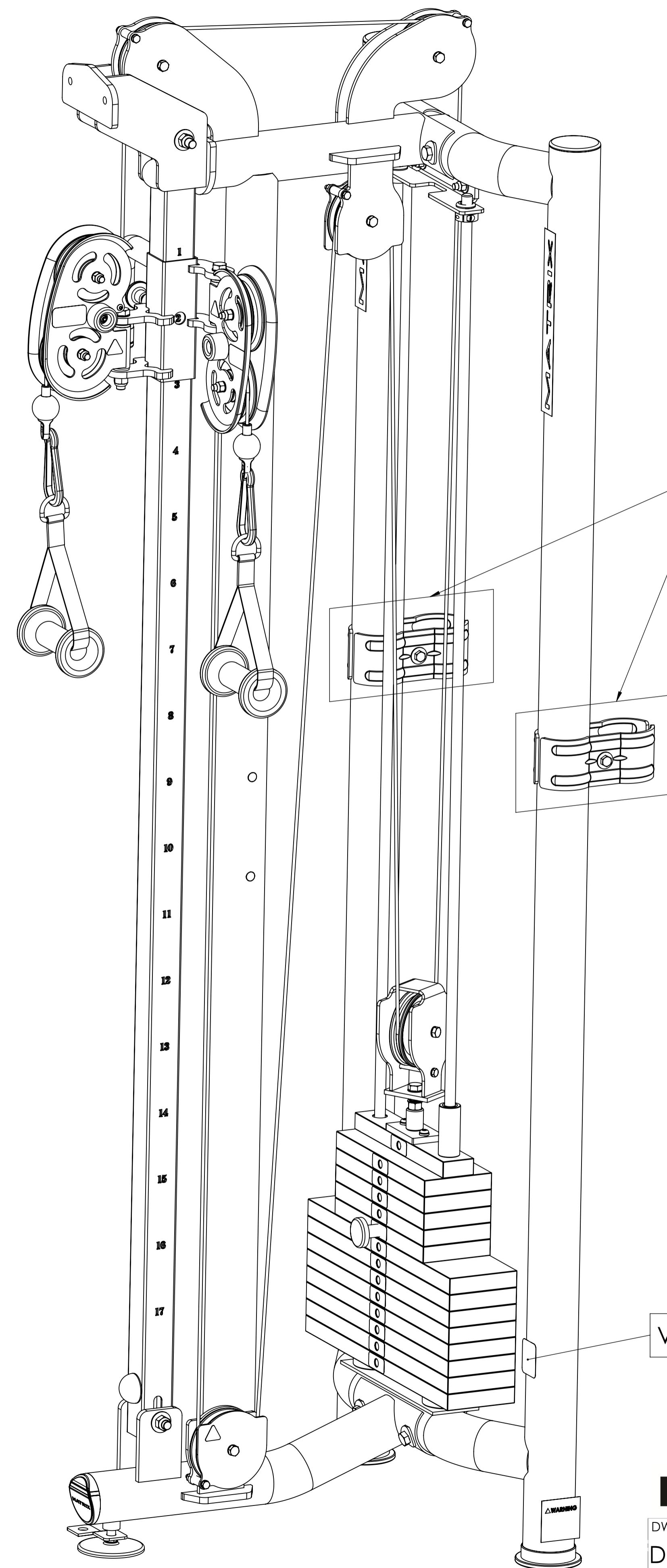


# MATRIX

DWG NO.		DP923-06 & FSDP923-06 SERVICE	
DESCRIPTION:		Dual Adjustable Pulley (Strength- Multi Station)	
DRAWN BY:	LMB	DATE:	2018.JAN.26
UPDATED BY:	LG	DATE:	2019.NOV.13



FSDP923-06  
(EXPLODED VIEW ON SHEET 1)



DP923-06  
(REQUIRES COUPLER CLAMPS)

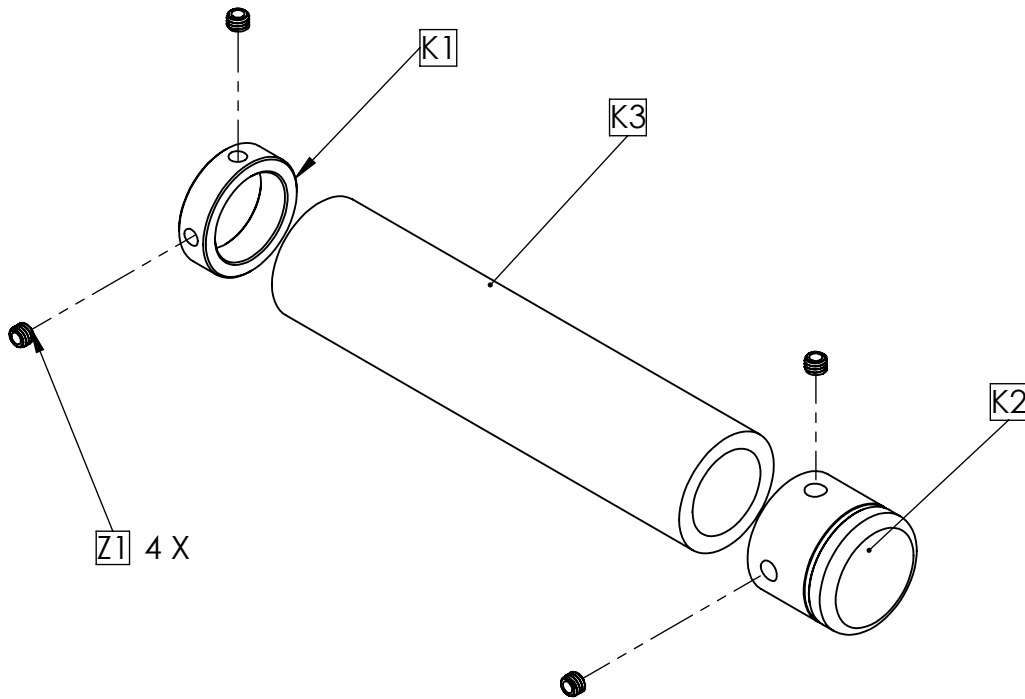
**MATRIX**

DWG NO.  
DP923-06 & FSDP923-06 SERVICE

DESCRIPTION:  
Dual Adjustable Pulley  
(Strength- Multi Station)

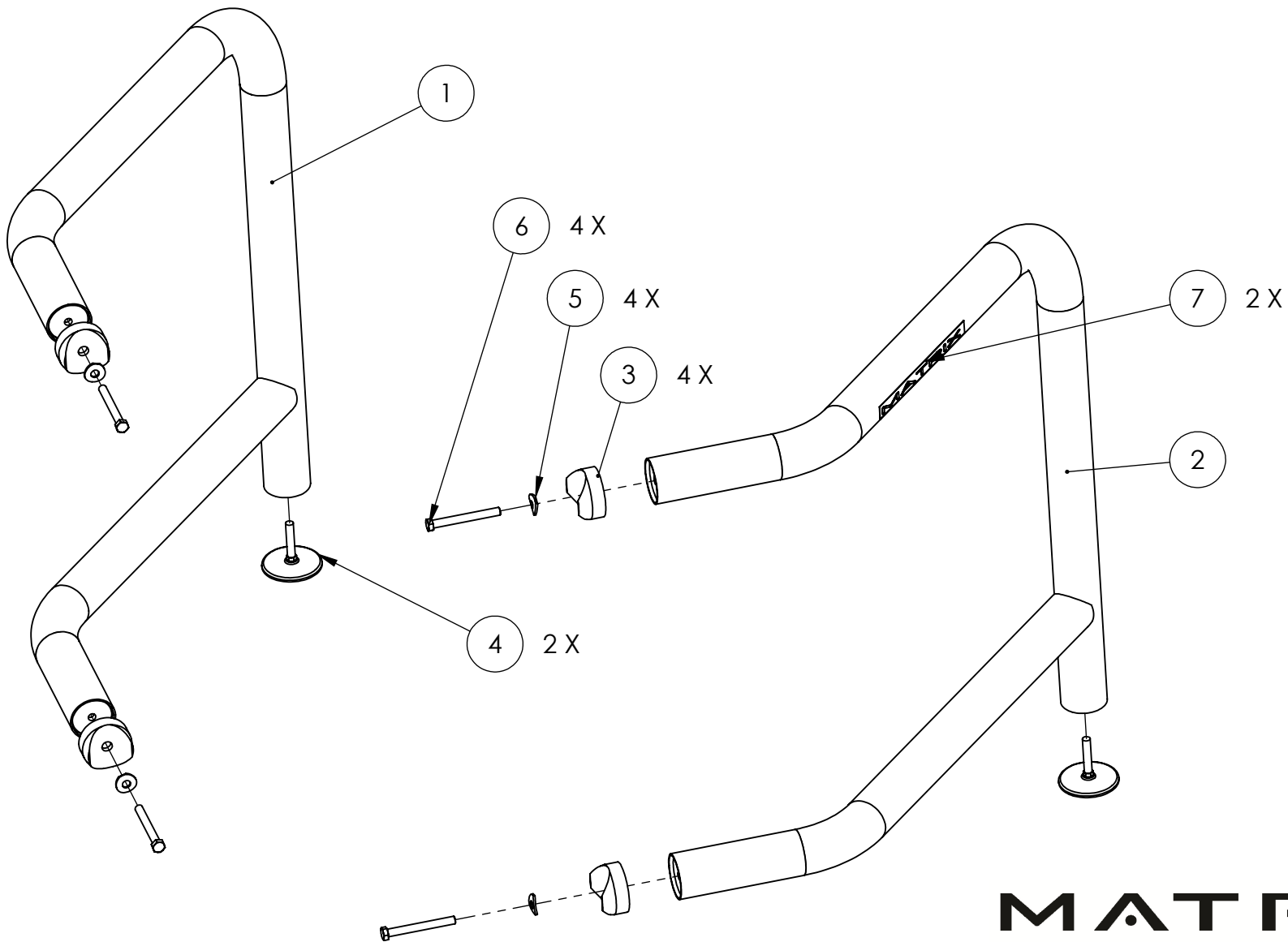
DRAWN BY: LMB DATE: 2018.JAN.26

UPDATED BY: LG DATE: 2019.NOV.13



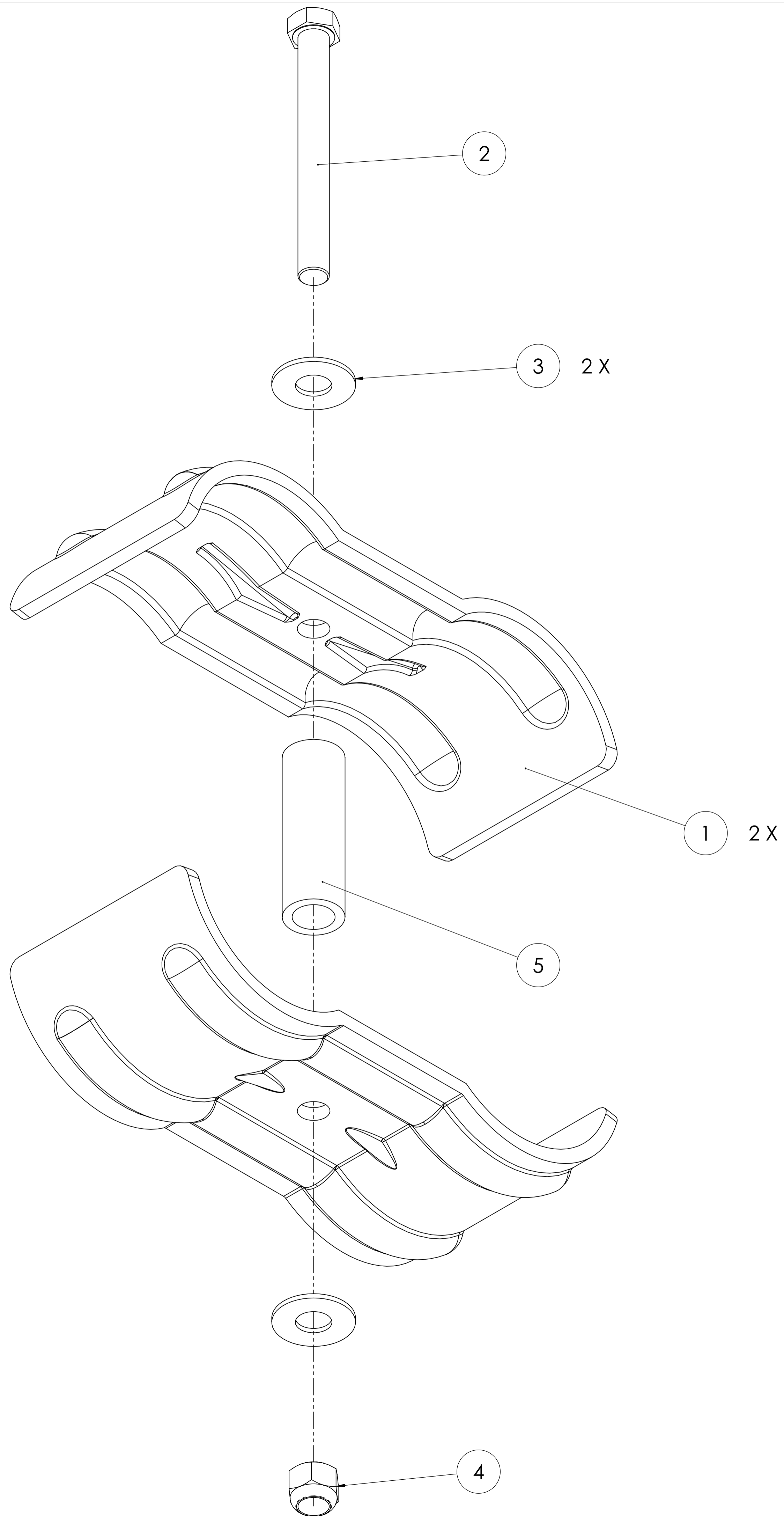
# MATRIX

DWG. NO.	KIT1 HAND GRIP	
DESCRIPTION:	HAND GRIP	
DRAWN:	LMB	DATE 13.03.26
UPDATED:	--	DATE --



# MATRIX

DWG. NO.	160-122 SERVICE	
DESCRIPTION:	900 TOWER SERIES FREE STANDING (SIDES)	
DRAWN:	LMB	DATE 13.08.06
UPDATED:	--	DATE --



**MATRIX**

DWG NO.

160-257 SERVICE

DESCRIPTION:

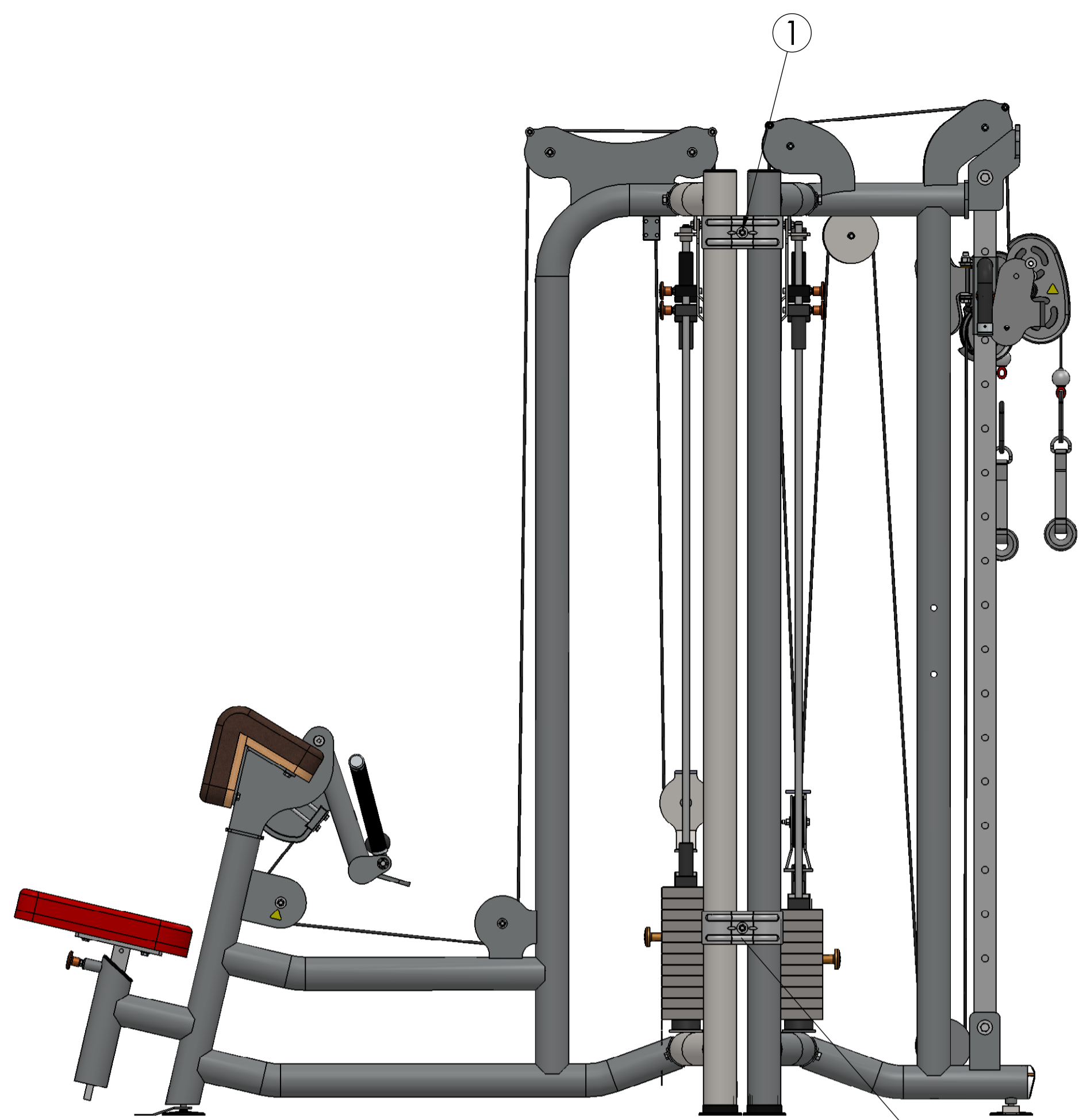
900 SERIES TOWER CLAMP (SINGLE)  
(Strength - Multi Station)

DRAWN BY: LMB

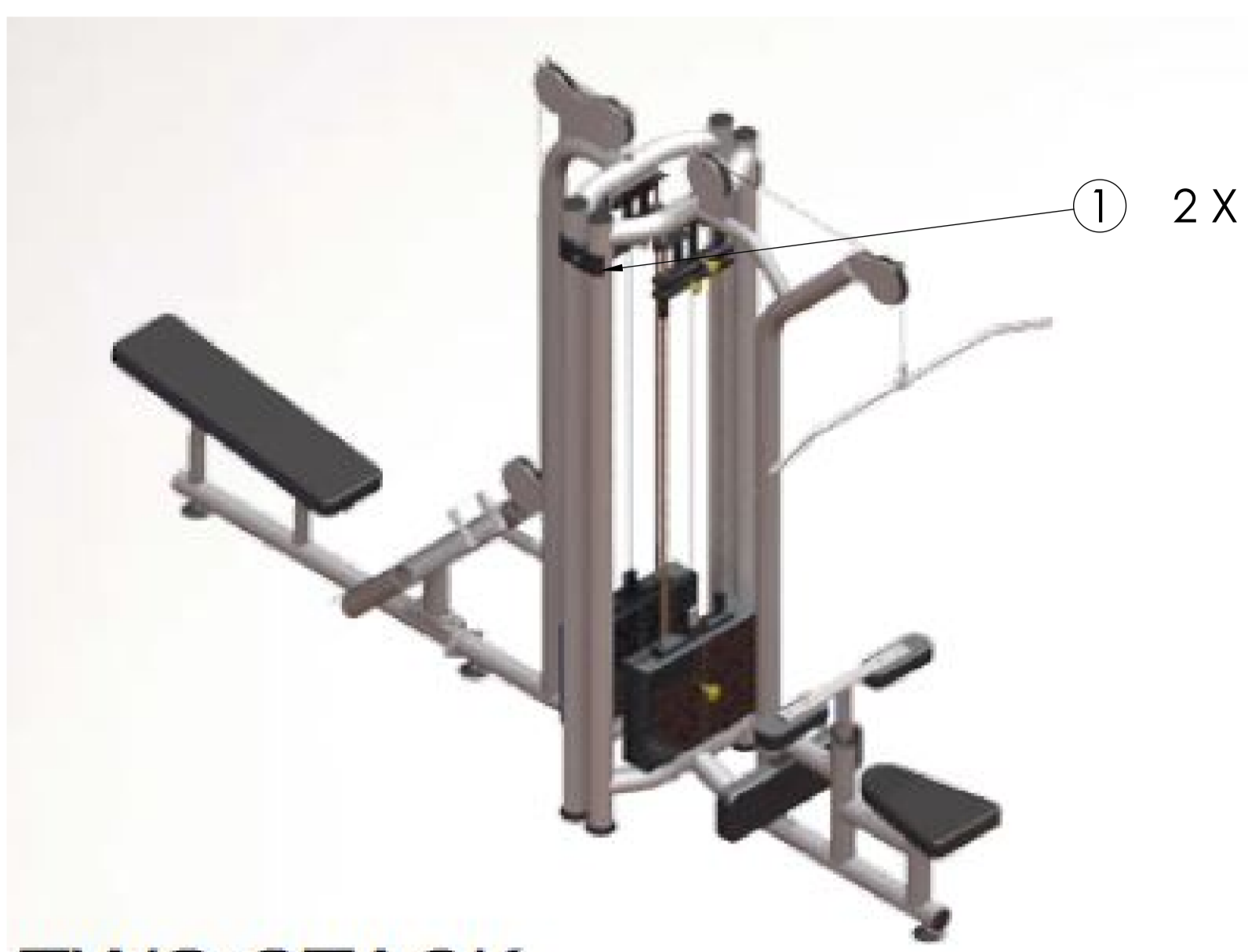
DATE: 2016.JAN.14

UPDATED BY:

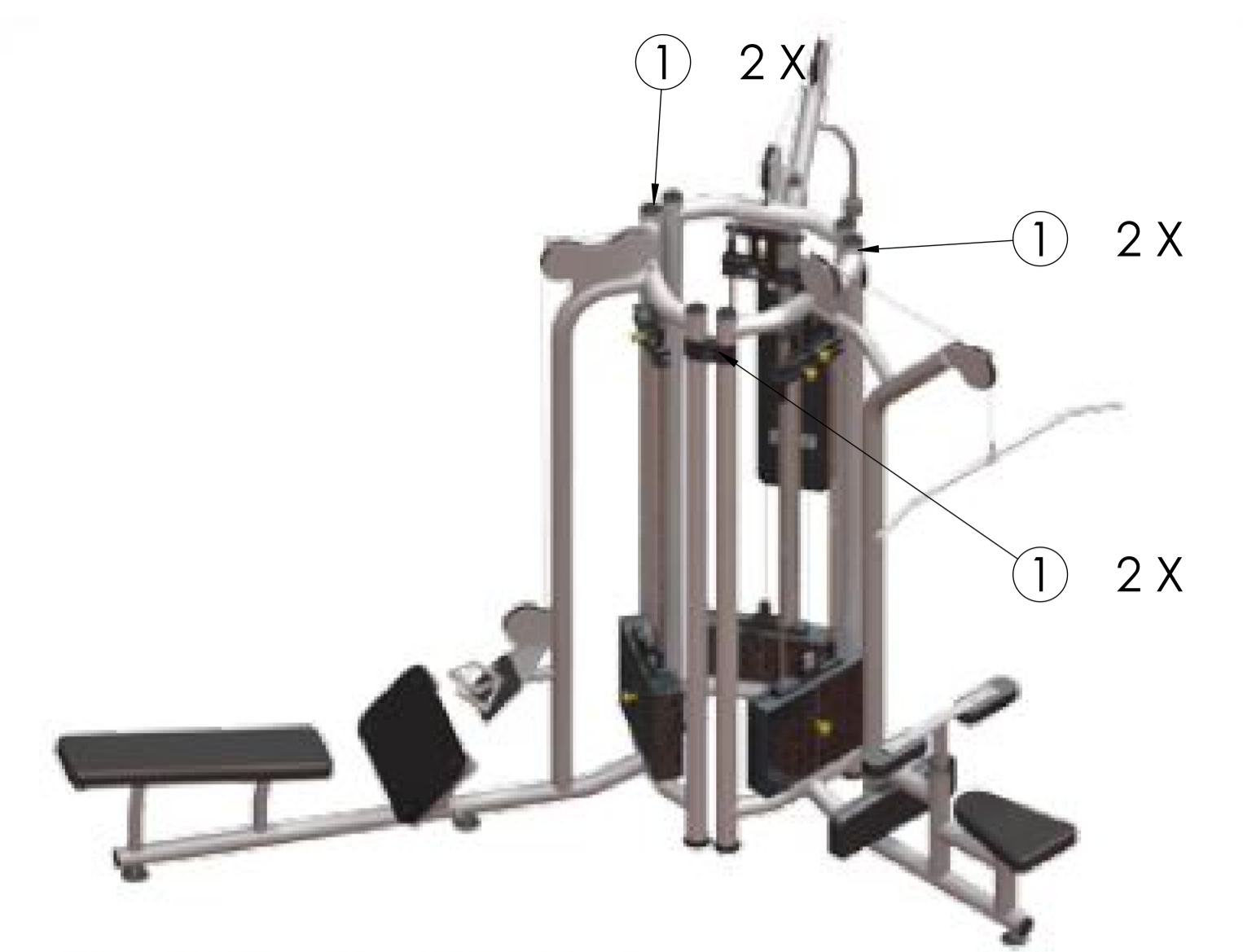
DATE:



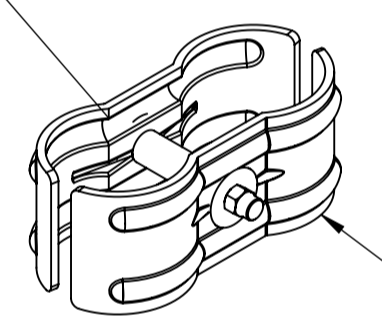
TWO STACK



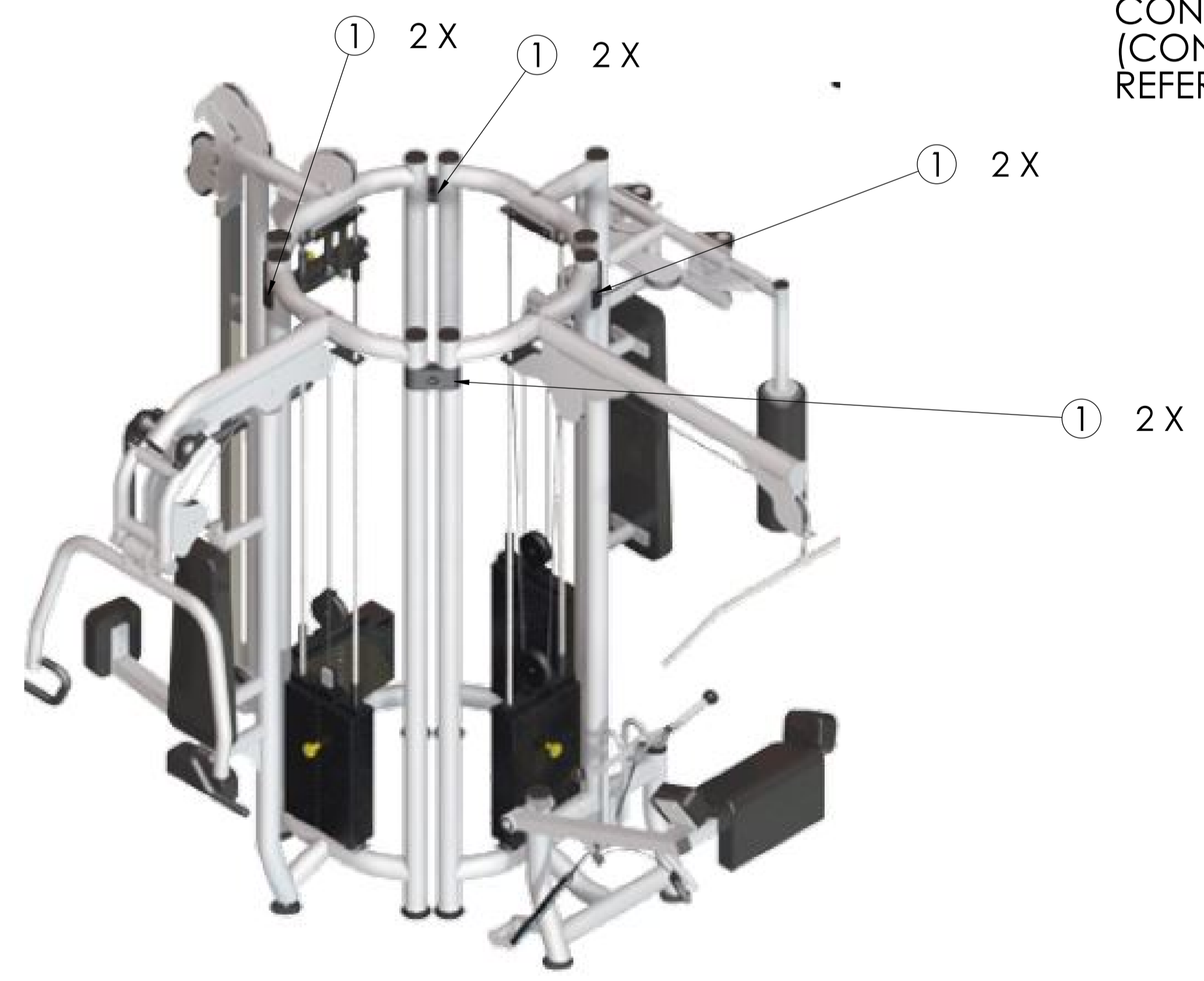
TWO STACK



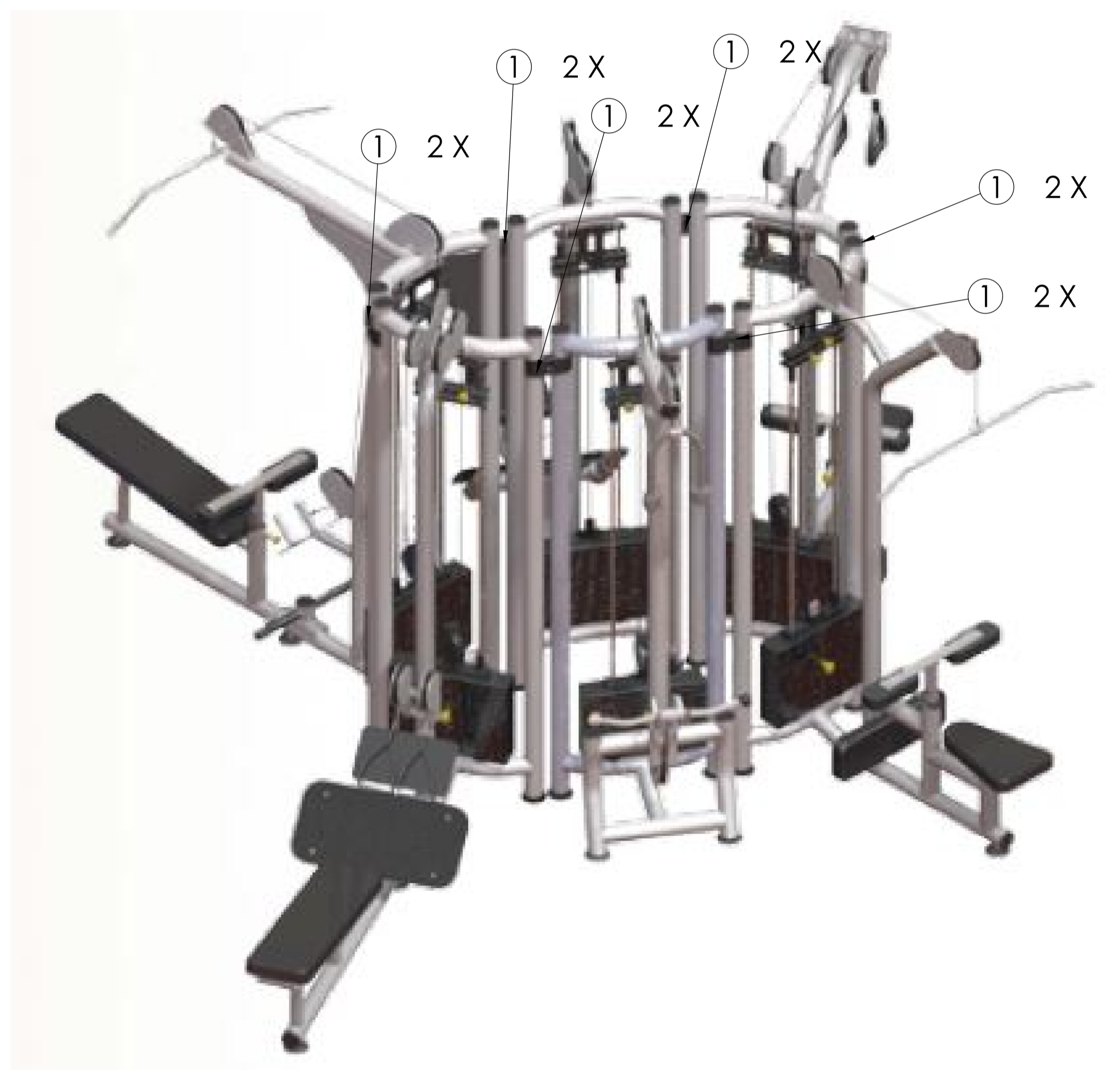
THREE STACK



EXPLODED VIEW SHOWN ON SHEET 1  
 NOTE: QUANTITY REQUIRED FOR EACH CONFIGURATION WILL VARY  
 (CONFIGURATIONS SHOWN ARE FOR REFERENCE ONLY)



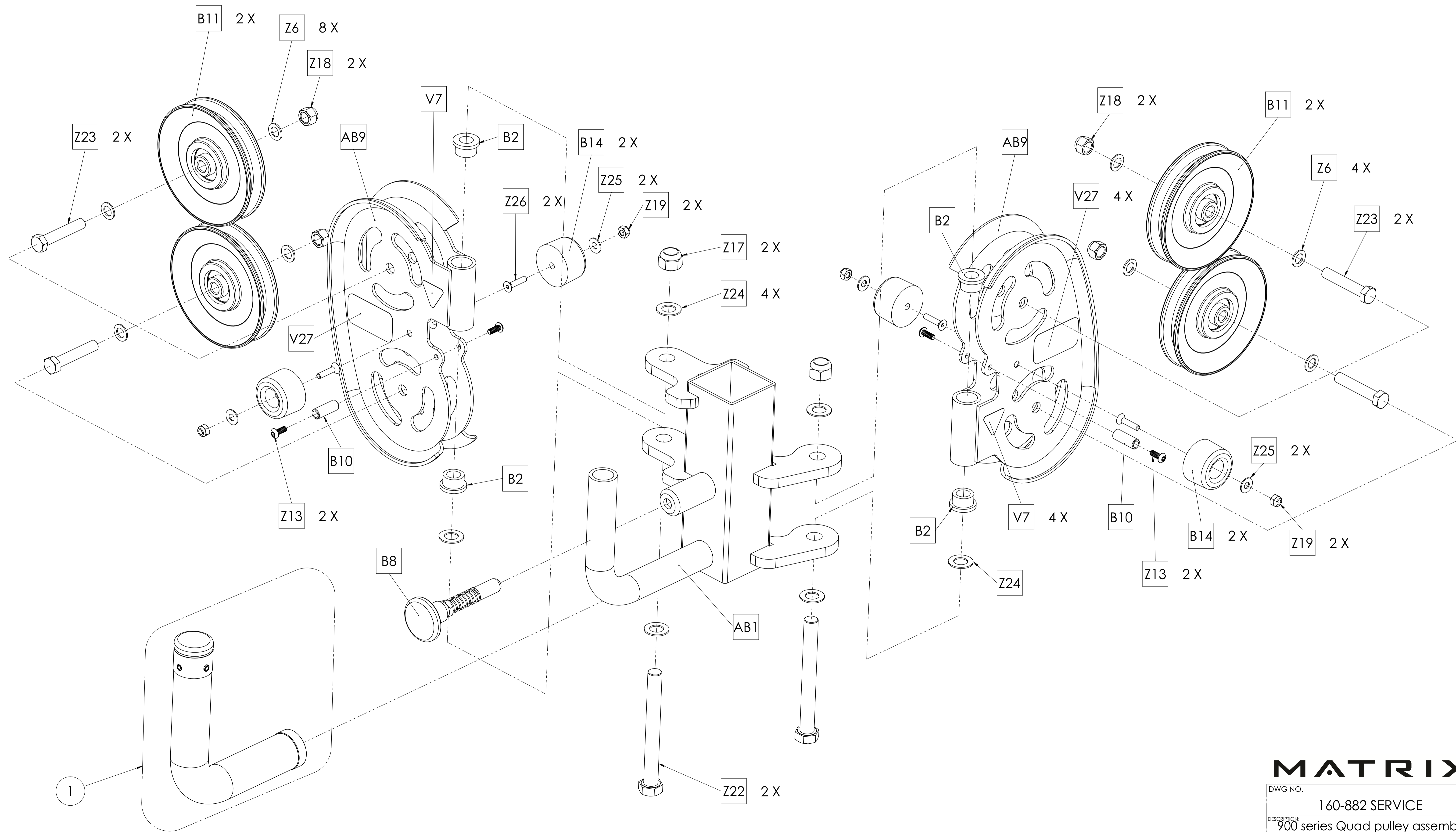
FOUR STACK



SIX STACK

**MATRIX**

DWG NO.	160-257 SERVICE	
DESCRIPTION:	COUPLER(CONFIGURATIONS) (Strength - Multi Station)	
DRAWN BY:	LMB	DATE: 2016.JAN.14
UPDATED BY:		DATE:



**MATRIX**

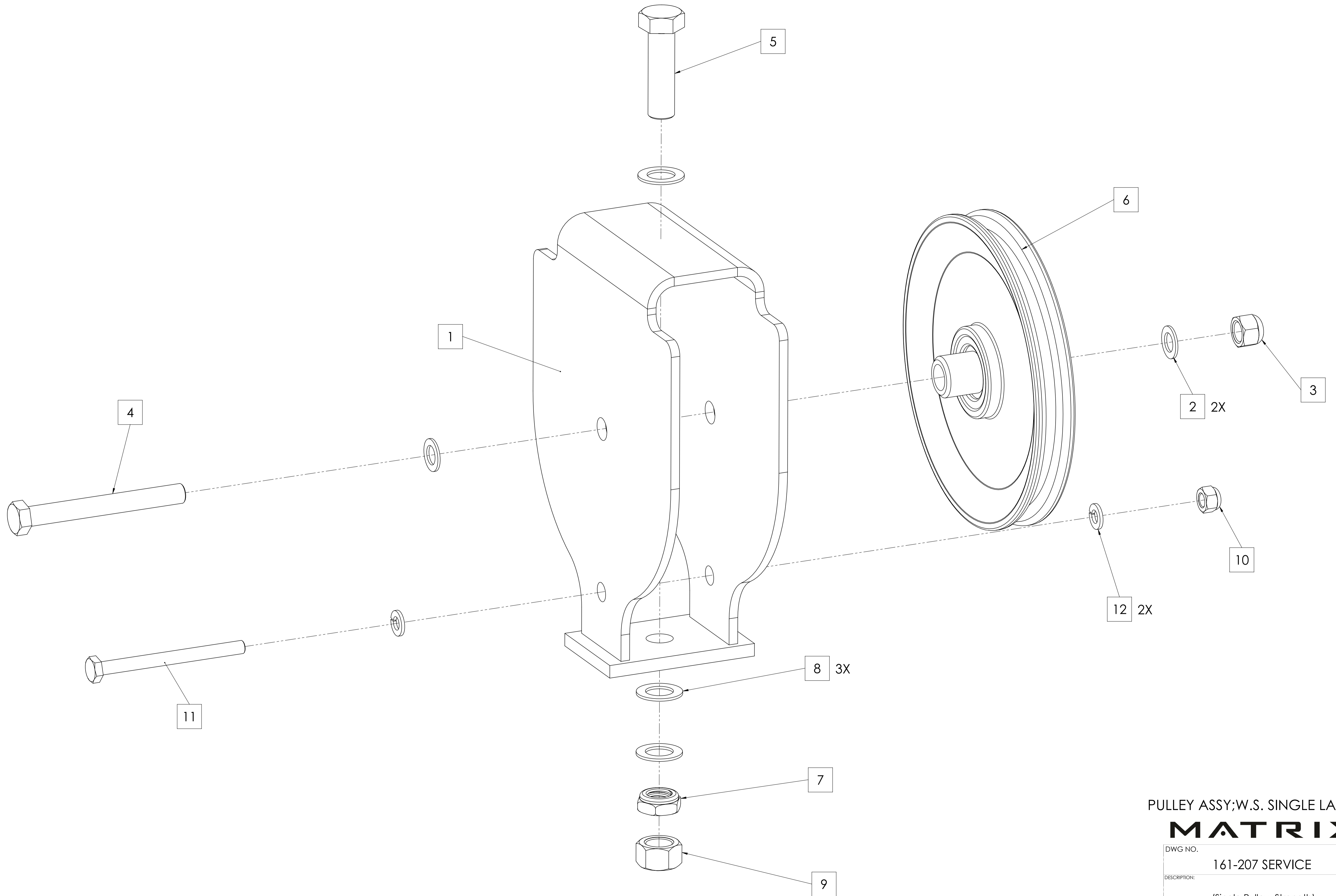
DWG NO.

160-882 SERVICE

DESCRIPTION:  
900 series Quad pulley assembly  
(Strength)

DRAWN BY: LMB DATE: 2016.MAR.28

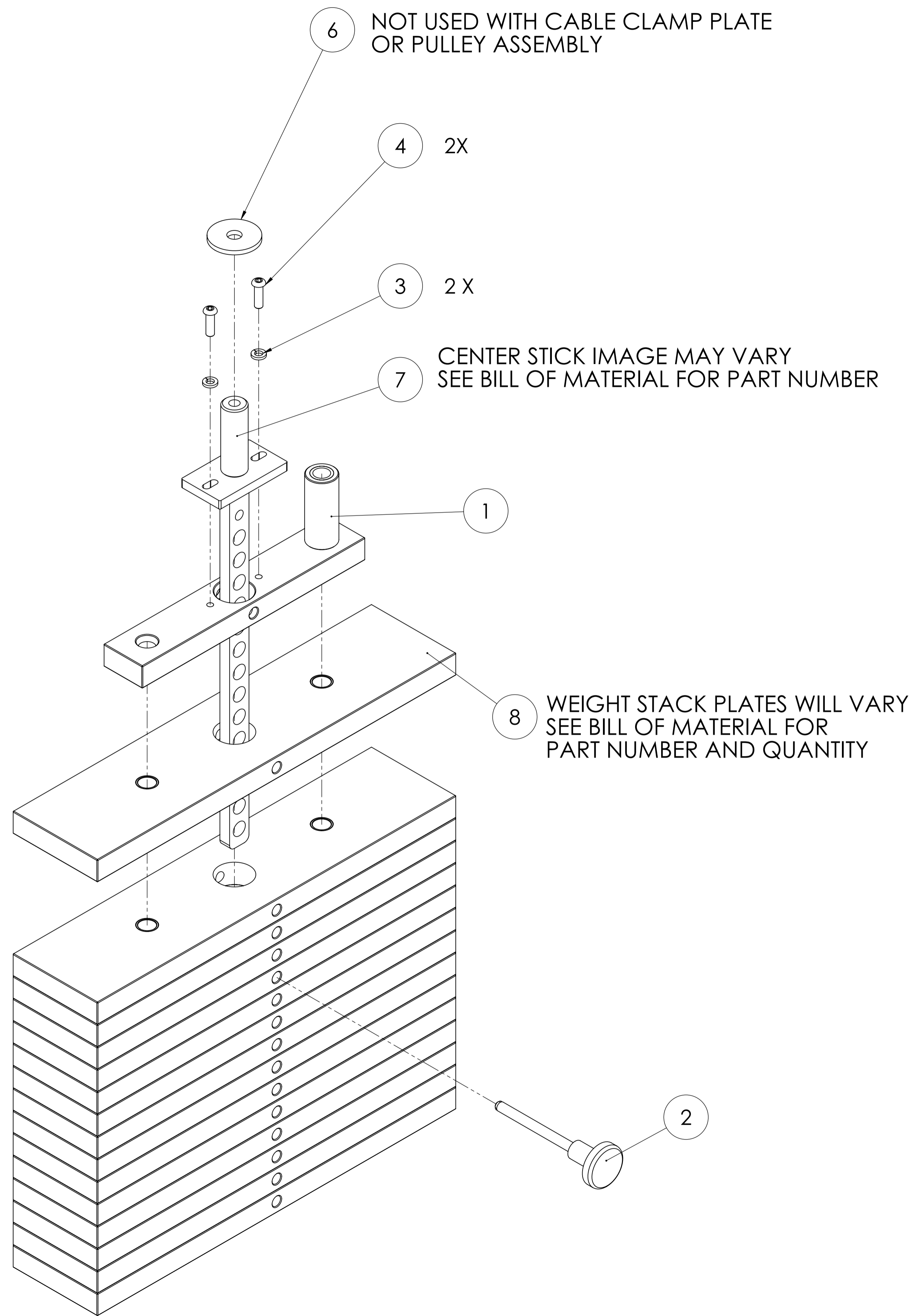
UPDATED BY: -- DATE: --



PULLEY ASSY;W.S. SINGLE LARGE

**MATRIX**

DWG NO.		161-207 SERVICE	
DESCRIPTION:			
(Single Pulley- Strength)			
DRAWN BY:	LMB	DATE:	2017.JAN.17
UPDATED BY:	--	DATE:	--



**CENTER STICK WITH MOUNTING POST  
CABLE MOUNTED WITH TAKE UP BOLT OR PULLEY  
(SHOWN EXPLODED)  
SEE NOTES AND BOM FOR PART NUMBERS**

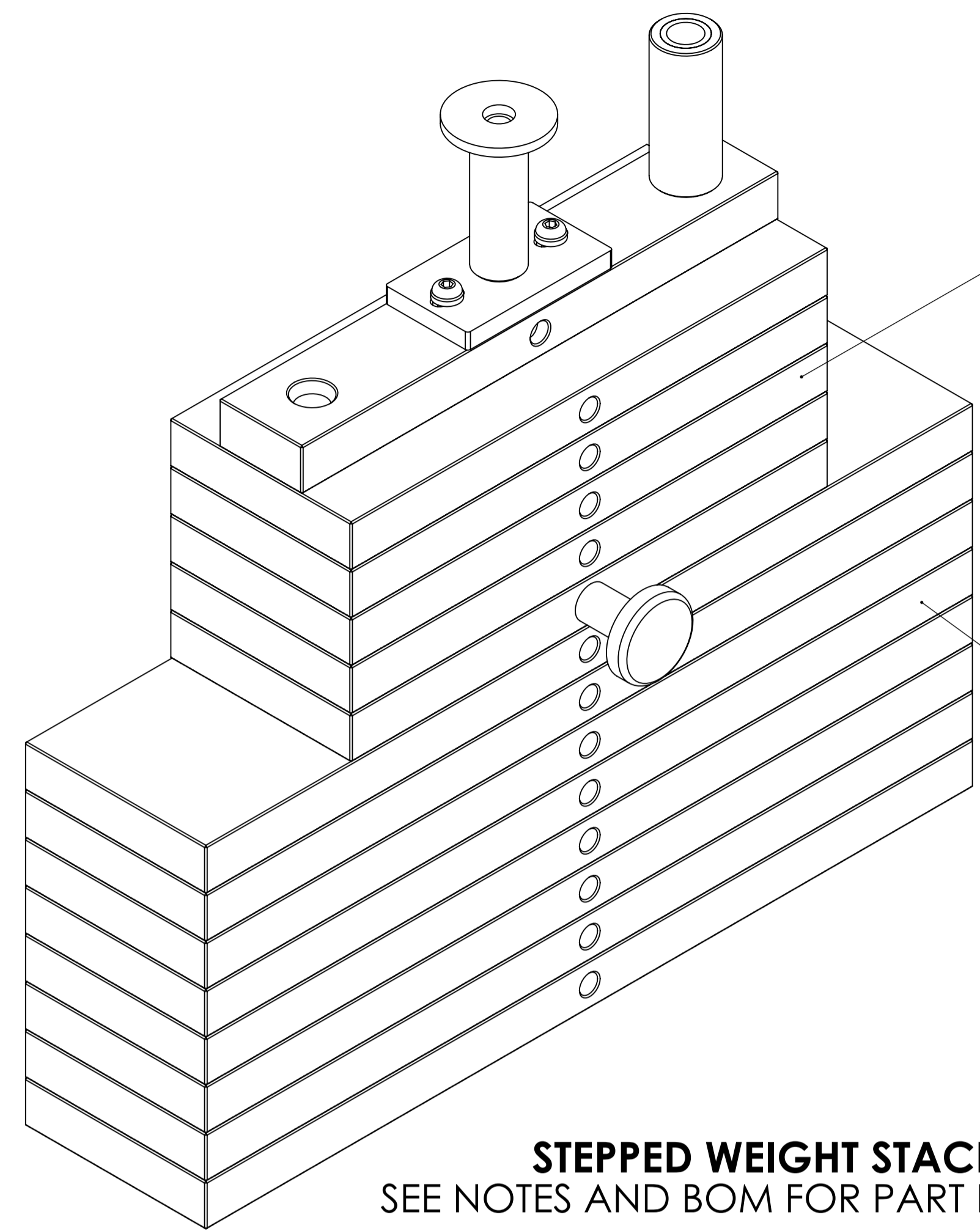
6 NOT USED WITH CABLE CLAMP PLATE OR PULLEY ASSEMBLY

4 2X

3 2X

7 CENTER STICK IMAGE MAY VARY SEE BILL OF MATERIAL FOR PART NUMBER

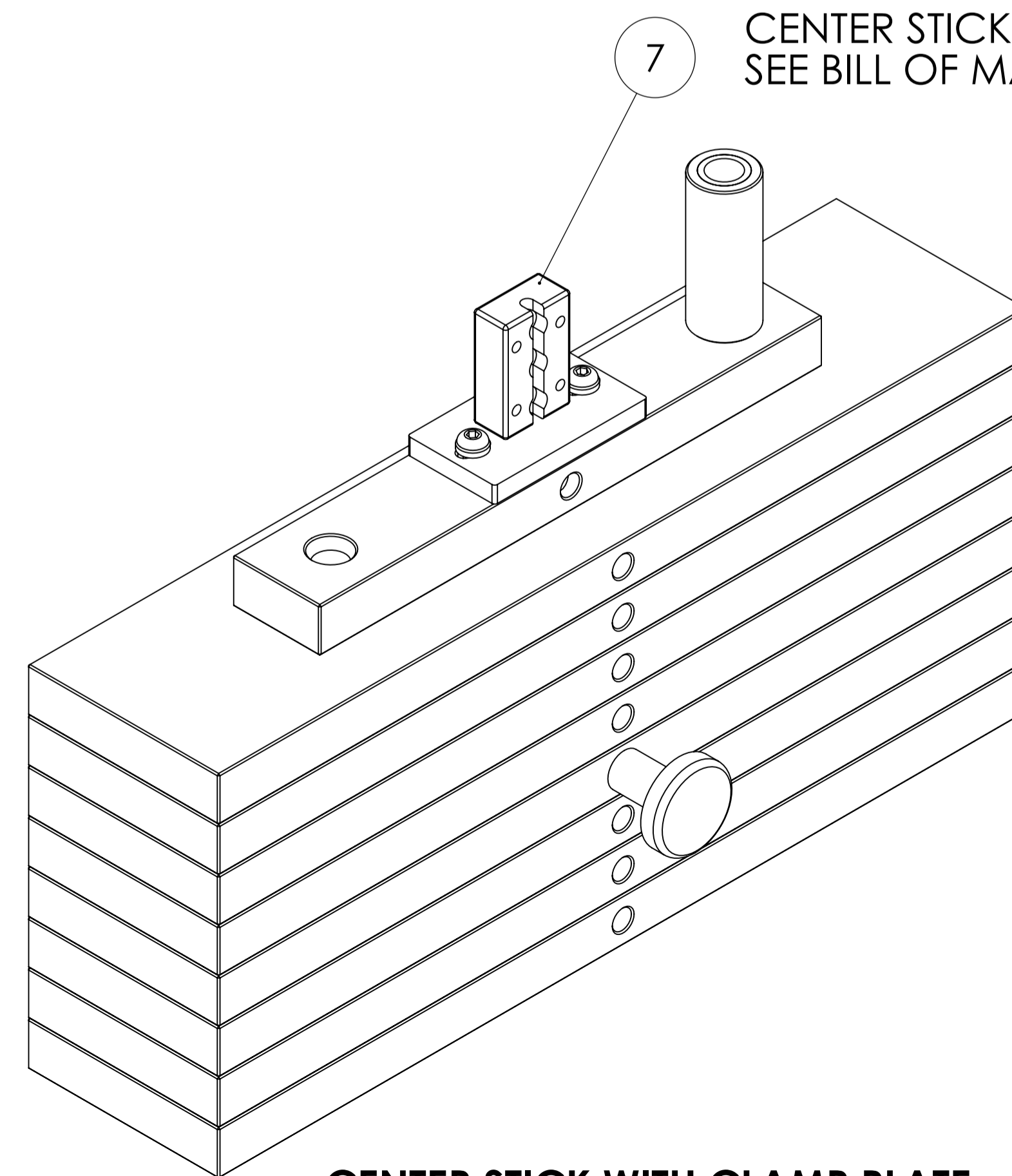
8 WEIGHT STACK PLATES WILL VARY SEE BILL OF MATERIAL FOR PART NUMBER AND QUANTITY



**STEPPED WEIGHT STACK  
SEE NOTES AND BOM FOR PART NUMBERS**

9 WEIGHT STACK PLATES WILL VARY SEE BILL OF MATERIAL FOR PART NUMBER AND QUANTITY

8 WEIGHT STACK PLATES WILL VARY SEE BILL OF MATERIAL FOR PART NUMBER AND QUANTITY



**CENTER STICK WITH CLAMP PLATE  
SEE NOTES AND BOM FOR PART NUMBERS**

7 CENTER STICK W/CLAMP PLATE SEE BILL OF MATERIAL FOR PART NUMBER

**MATRIX**

DWG NO. <b>_WEIGHT STACK SERVICE</b>		
DESCRIPTION: <b>WEIGHT STACK/CENTERSTICK ASSY (Take Up Bolt, Pulley &amp; Clamp Style)</b>		
DRAWN BY: LMB	DATE: 2013.OCT.10	
UPDATED BY: LMB	DATE: 2017.DEC.29	