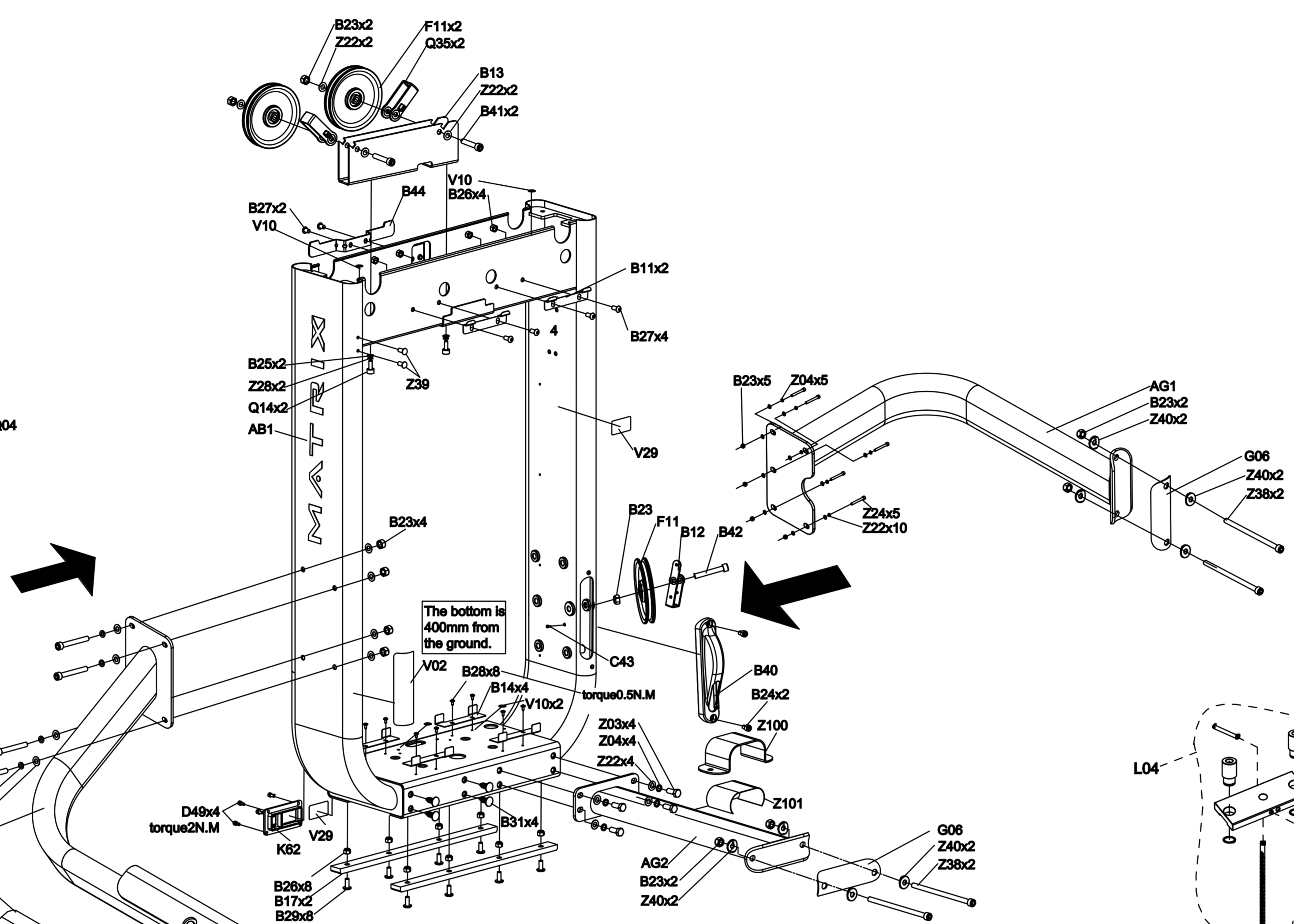
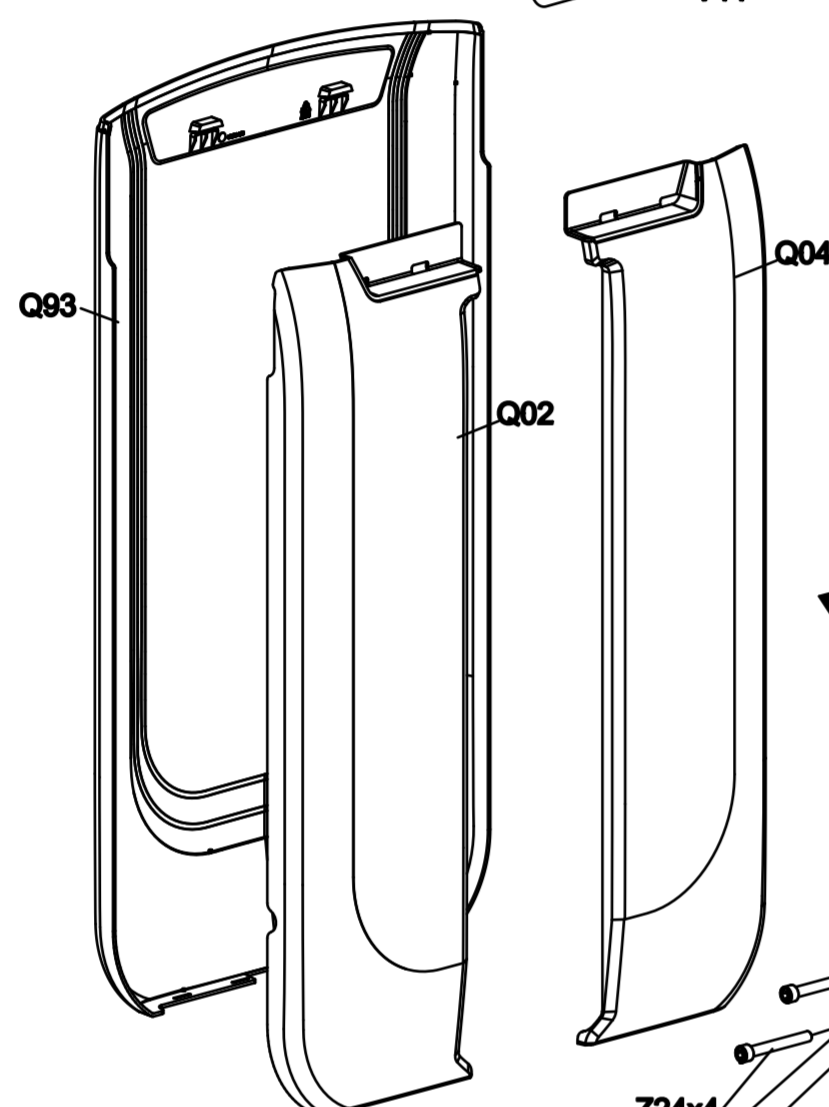
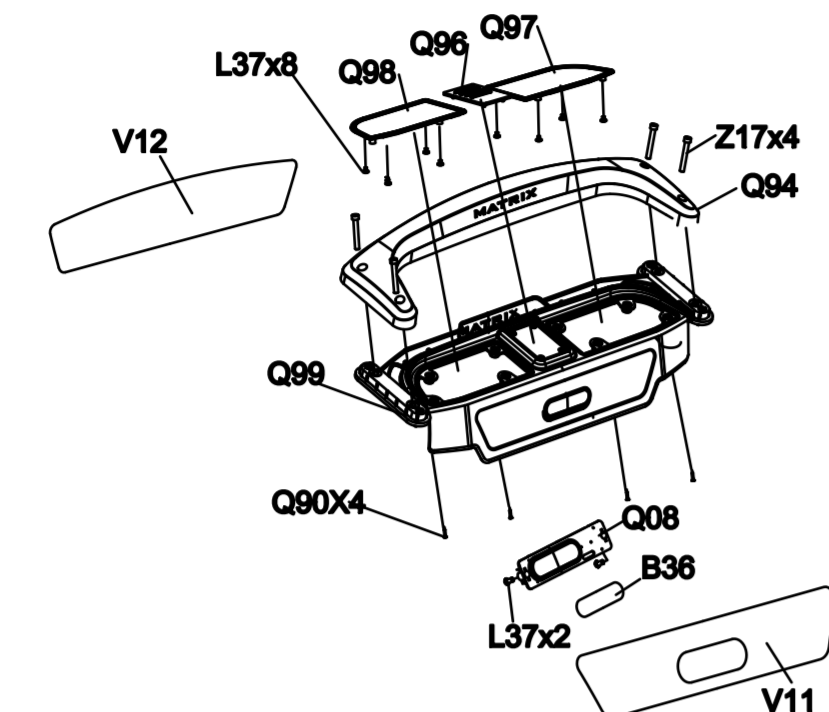


DRAWING NO	PG7GM216H-KM		
PART NAME	Calf Extension		
PART NO	MGM0830-00	REV	C
APPROVE	Forrest	DATE	11.24.2020



The bottom is 400mm from the ground.

torque 0.5N.M

torque 2N.M

torque 80N.M