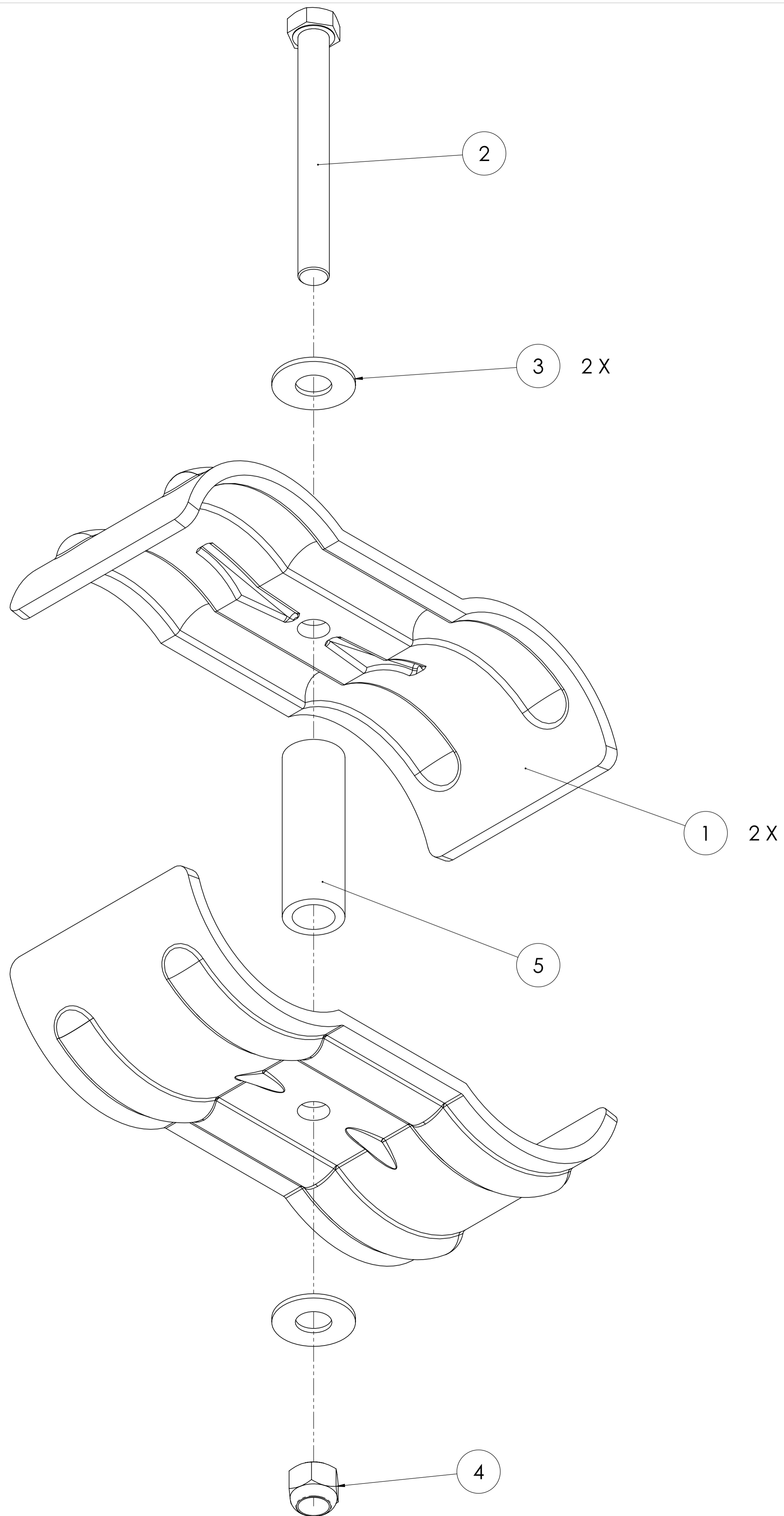


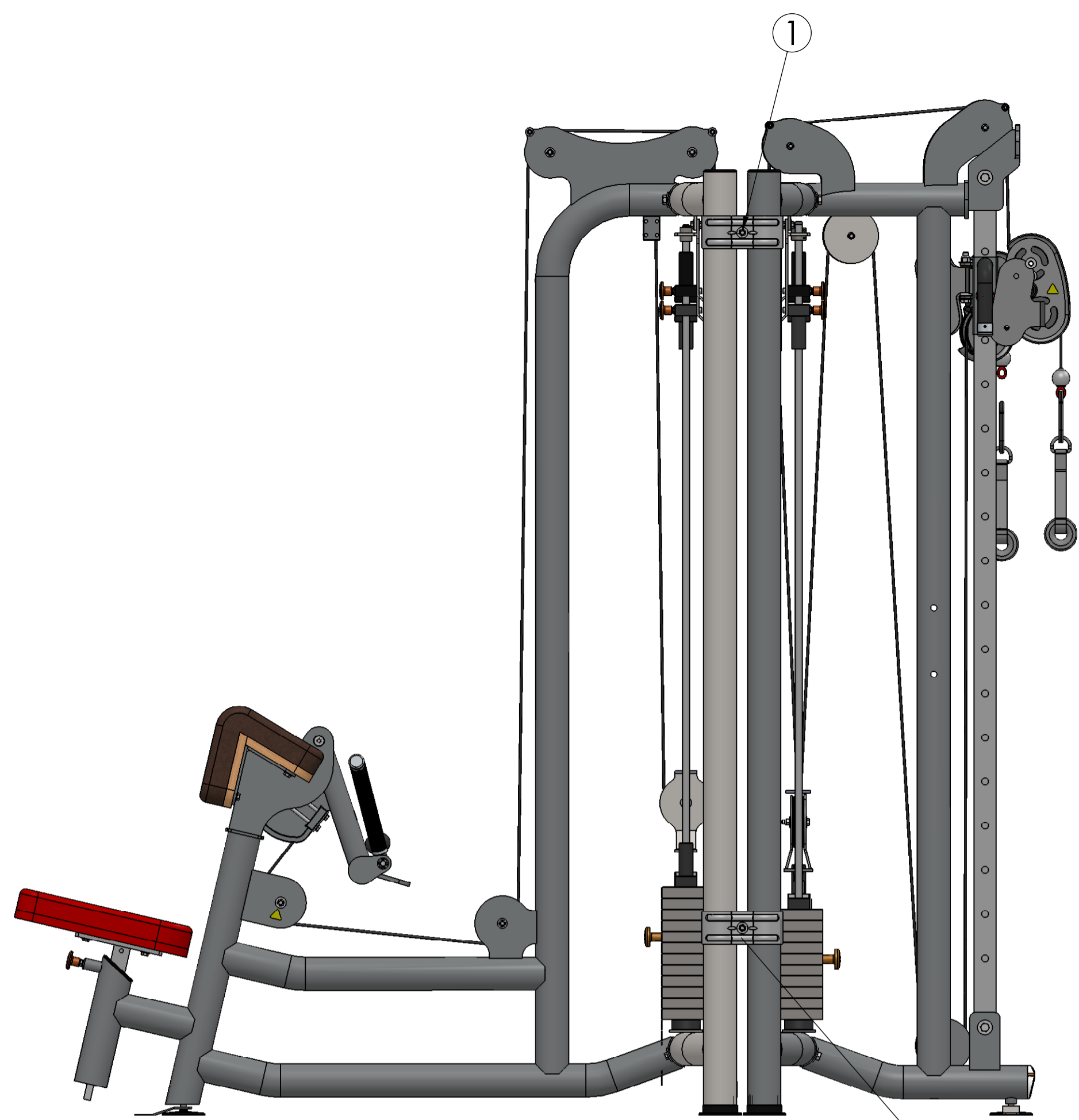
MATRIX

DWG. NO.	KIT1 HAND GRIP	
DESCRIPTION:	HAND GRIP	
DRAWN:	LMB	DATE 13.03.26
UPDATED:	--	DATE --



MATRIX

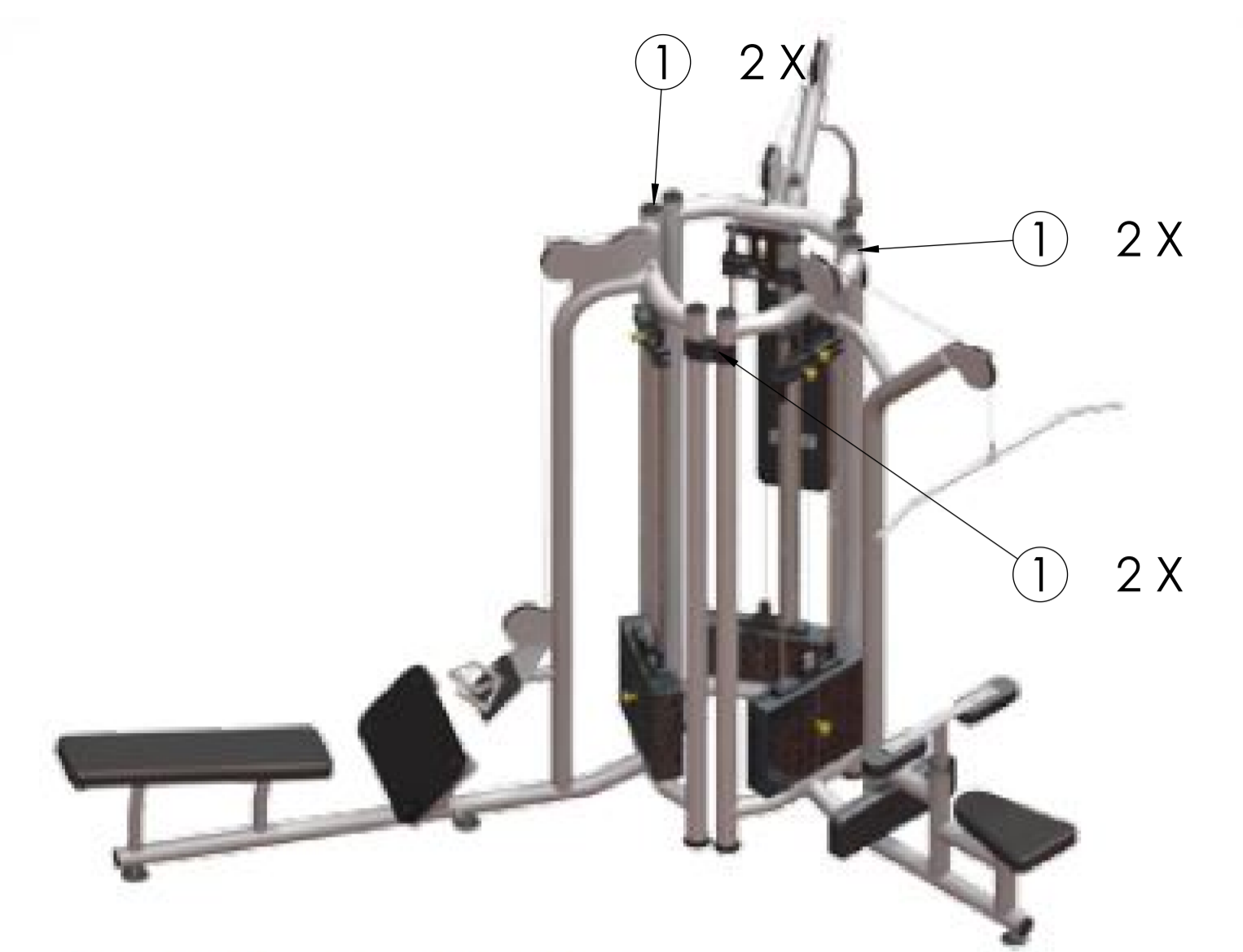
DWG NO.	160-257 SERVICE	
DESCRIPTION:	900 SERIES TOWER CLAMP (SINGLE) (Strength - Multi Station)	
DRAWN BY:	LMB	DATE: 2016.JAN.14
UPDATED BY:		DATE:



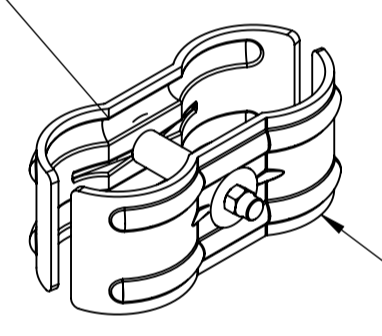
TWO STACK



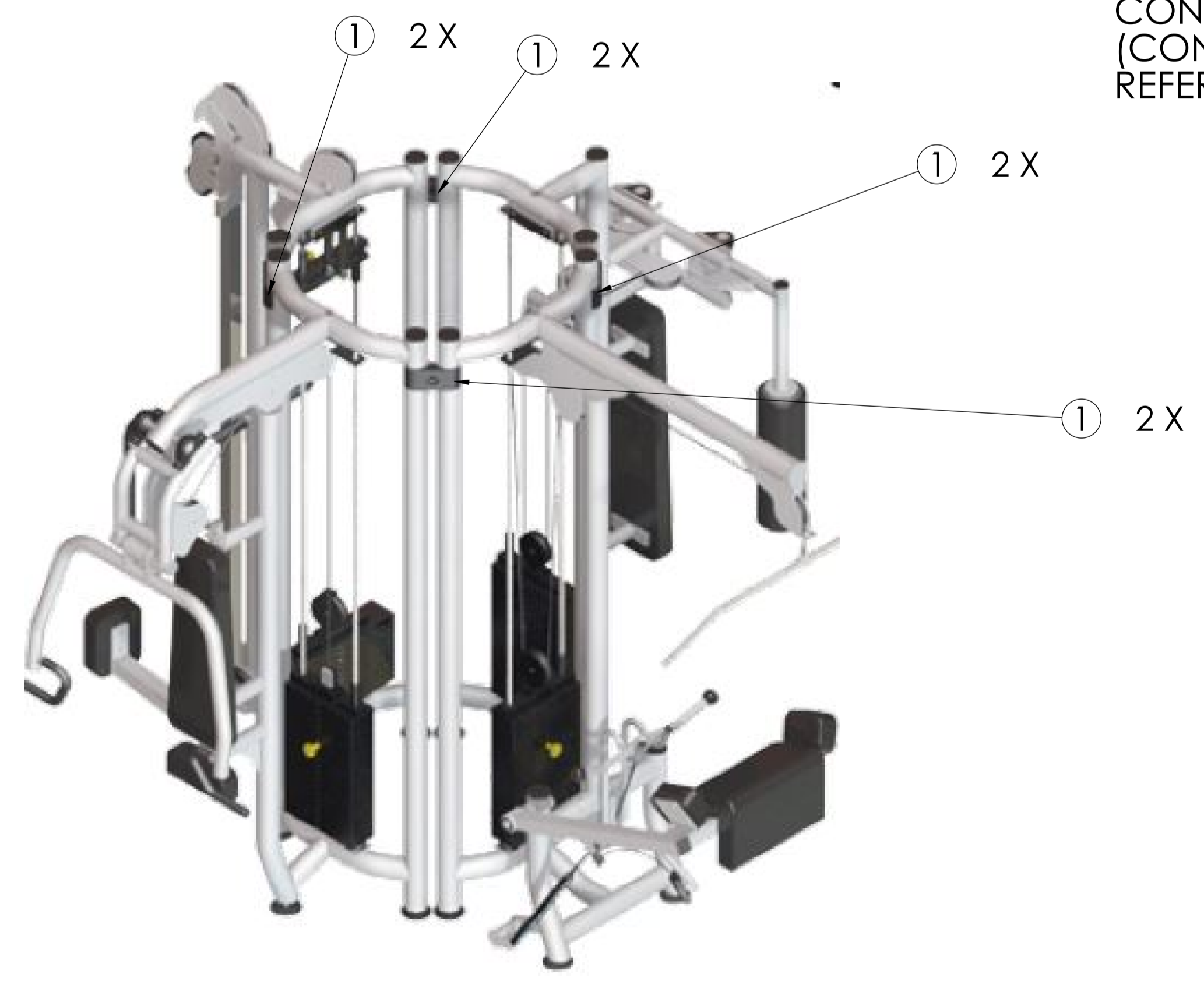
TWO STACK



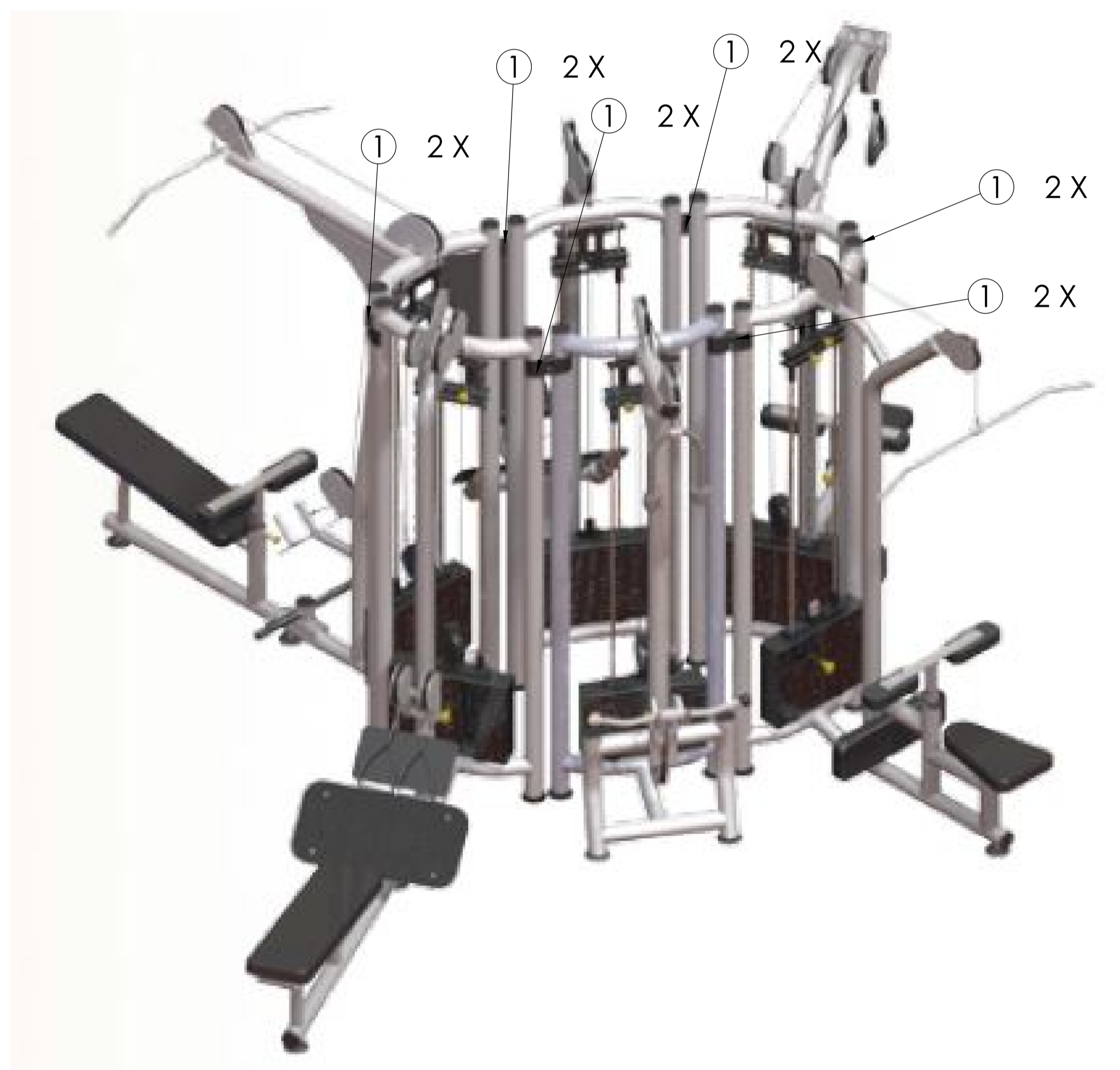
THREE STACK



EXPLODED VIEW SHOWN ON SHEET 1
 NOTE: QUANTITY REQUIRED FOR EACH CONFIGURATION WILL VARY
 (CONFIGURATIONS SHOWN ARE FOR REFERENCE ONLY)



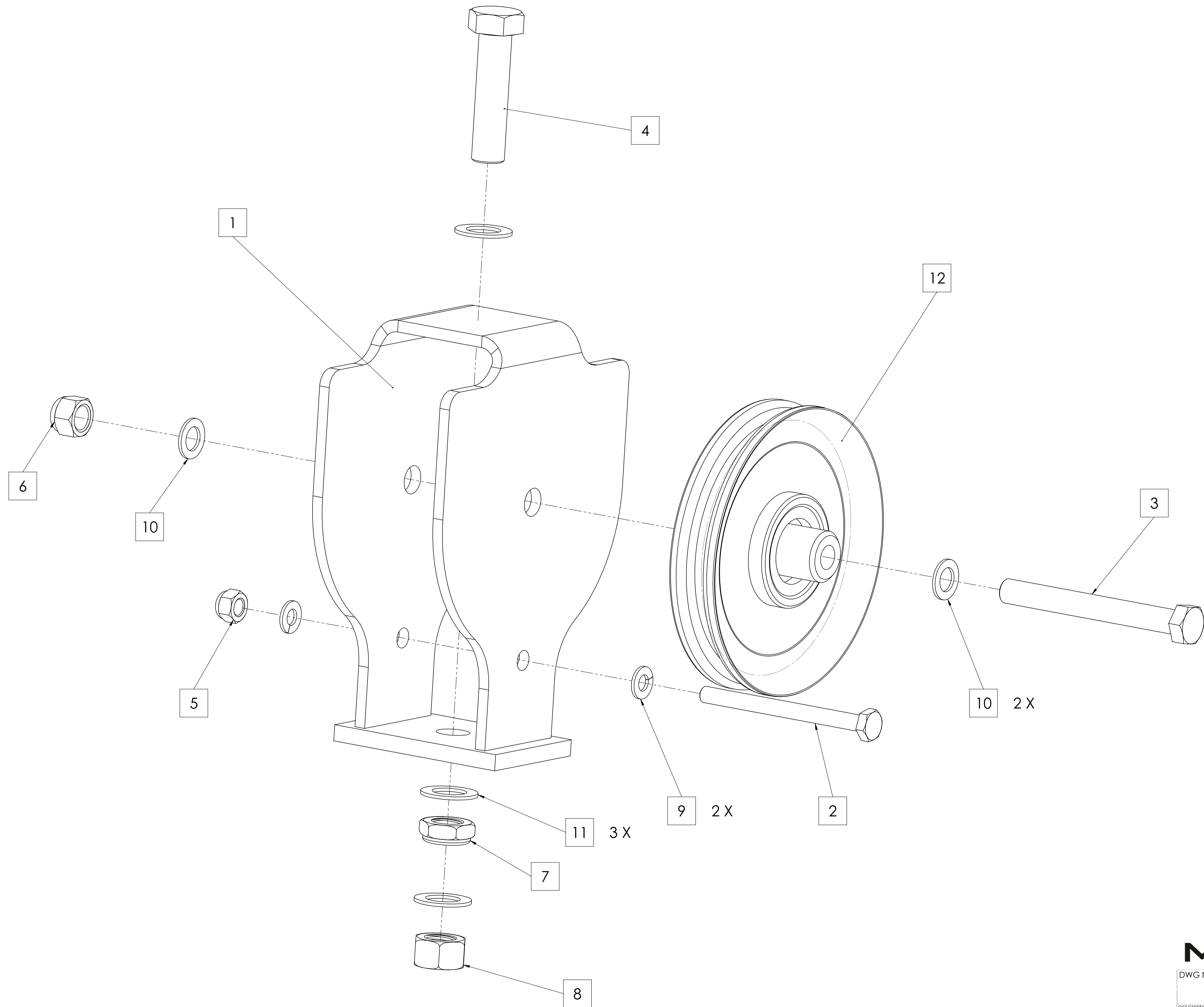
FOUR STACK



SIX STACK

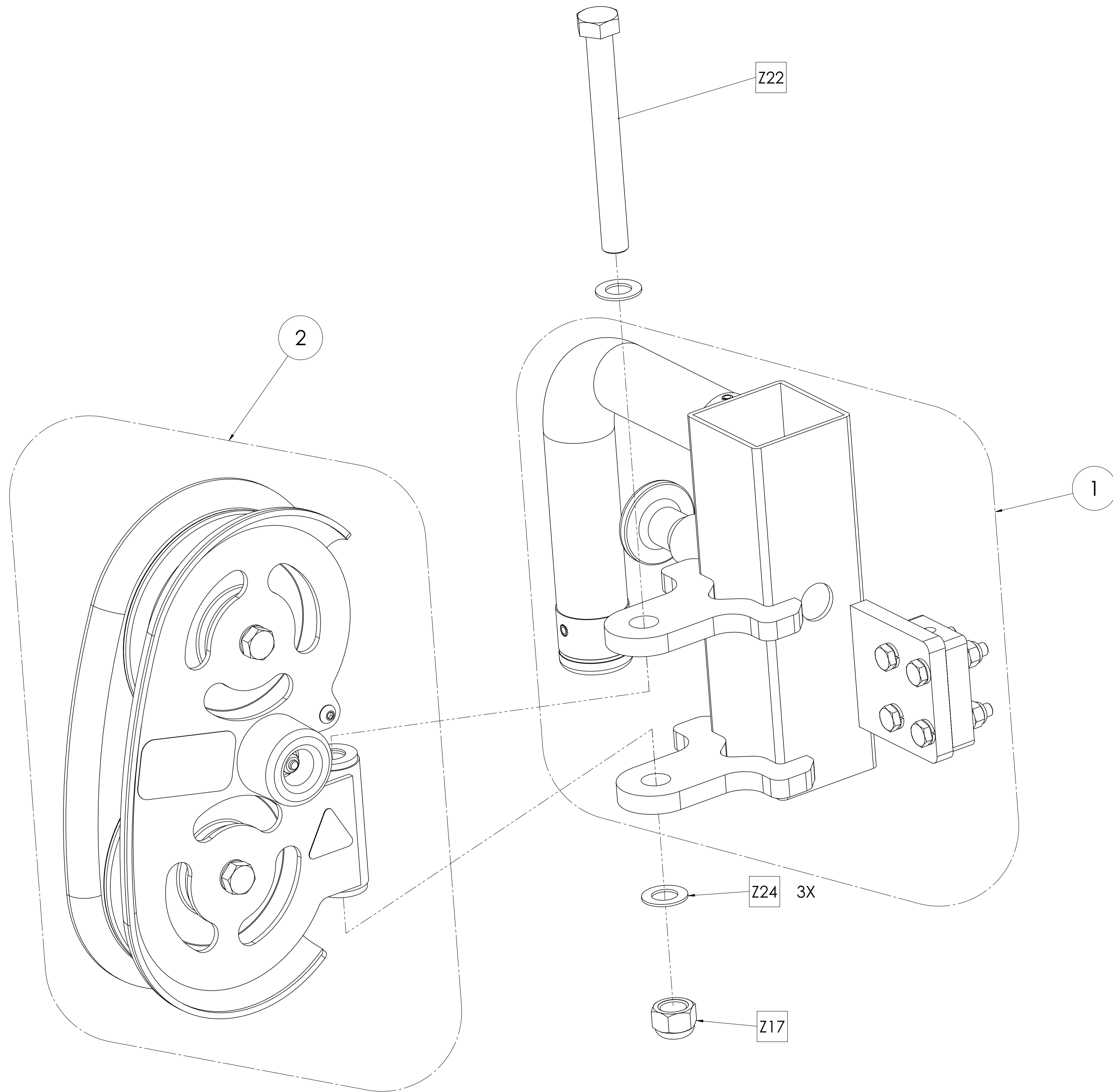
MATRIX

DWG NO.		160-257 SERVICE	
DESCRIPTION:		COUPLER(CONFIGURATIONS) (Strength - Multi Station)	
DRAWN BY:	LMB	DATE:	2016.JAN.14
UPDATED BY:		DATE:	



MATRIX

DWG NO.		160-865 SERVICE	
DESCRIPTION:		PULLEY;WEIGHT STACK ASSY (Strength)	
DRAWN BY:	LMB	DATE:	2016.MAR.25
UPDATED BY:	--	DATE:	--



MATRIX

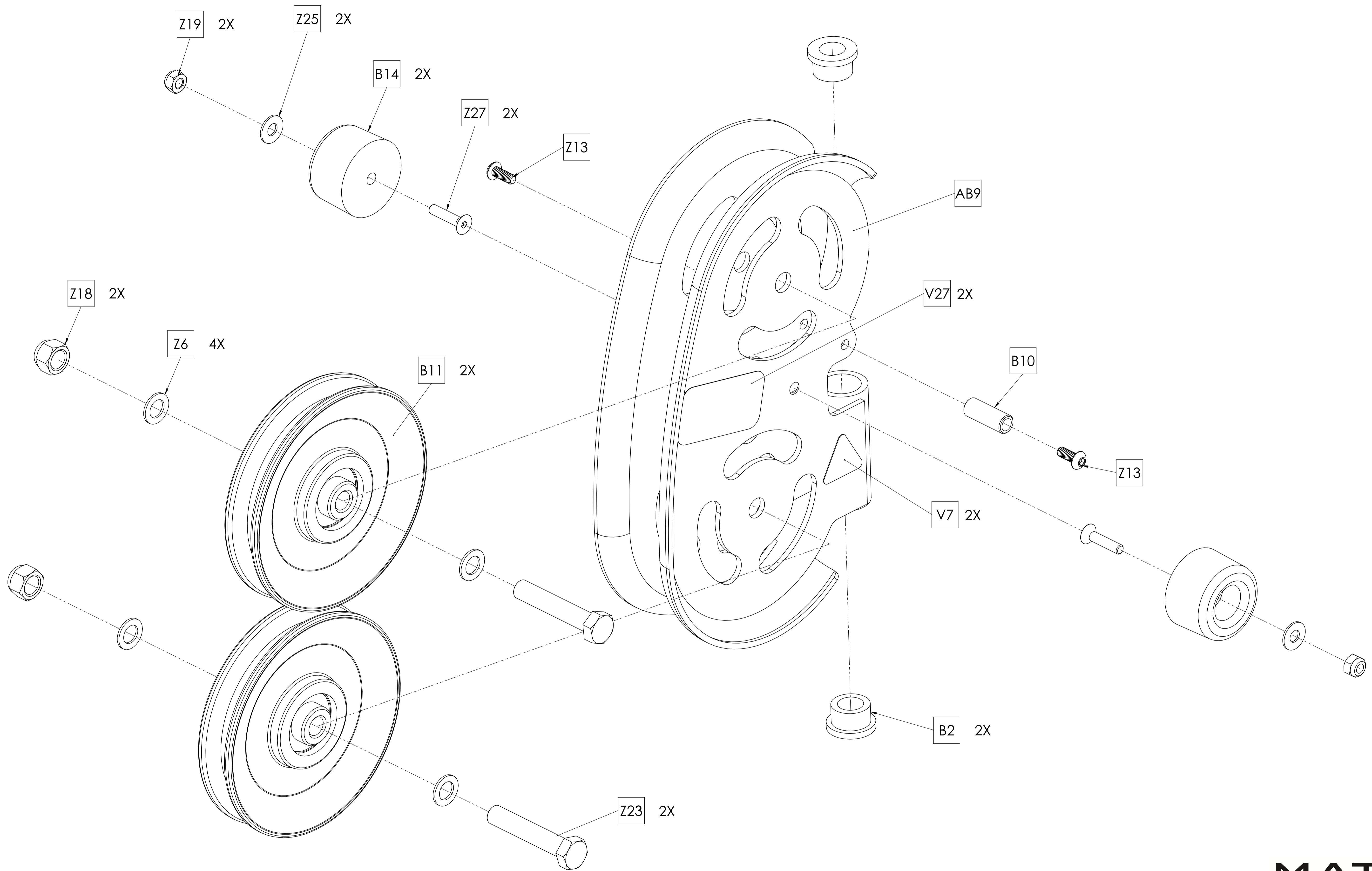
DWG NO.

160-881 SERVICE

DESCRIPTION:
DOUBLE PULLEY;BOOK;FORMED
(Strength)

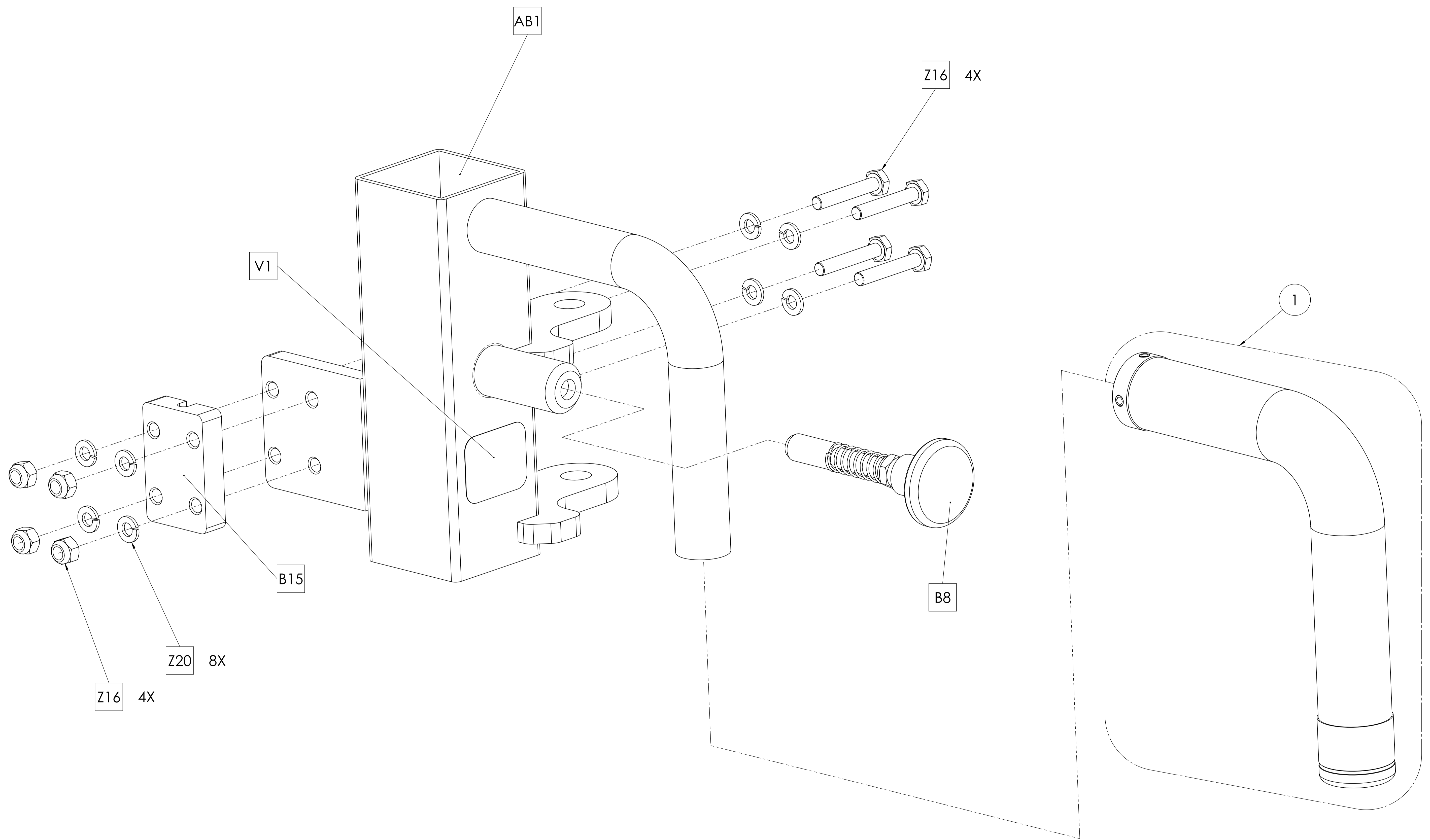
DRAWN BY: LMB DATE: 2016.MAR.25

UPDATED BY: -- DATE: --



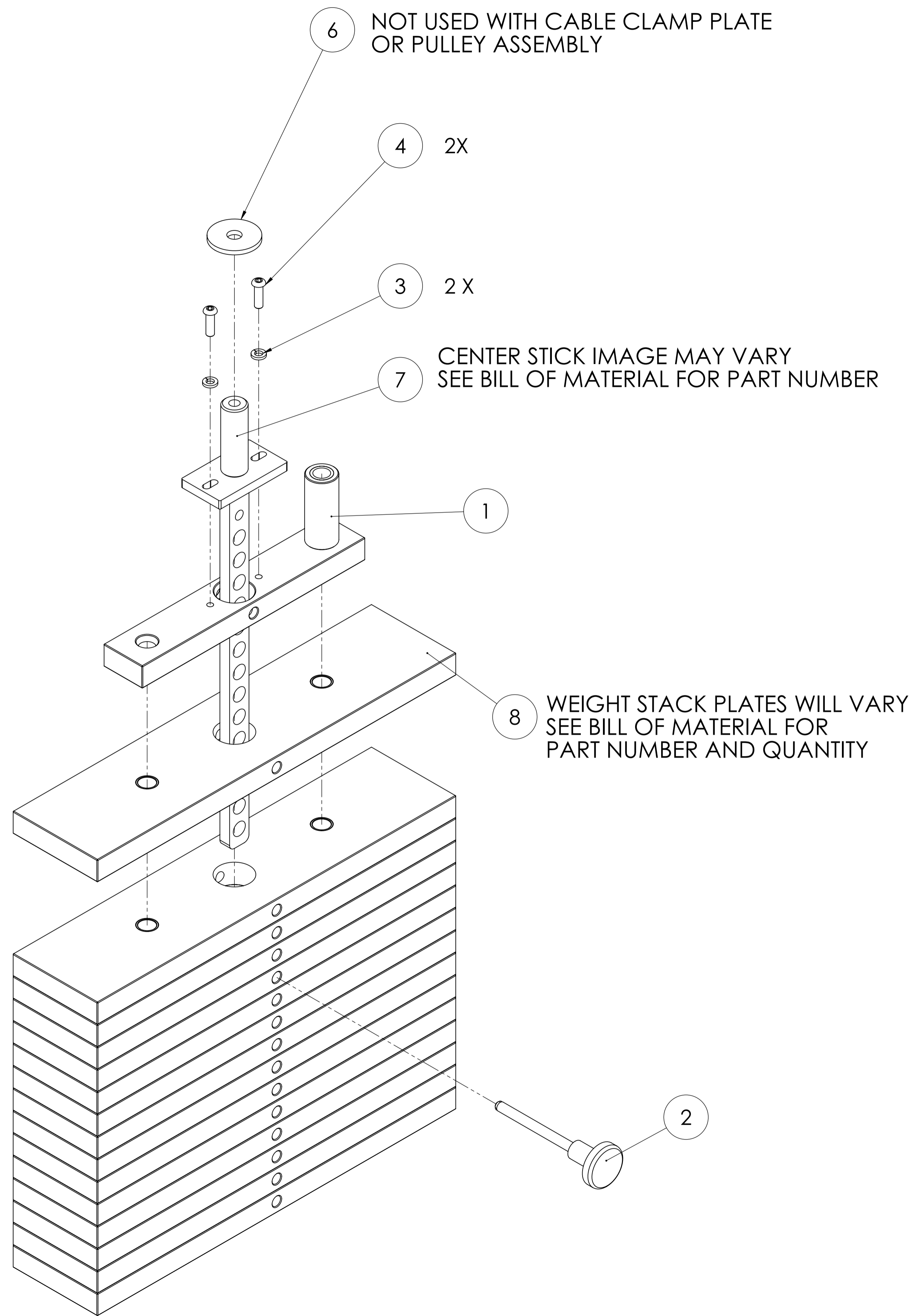
MATRIX

DWG NO.		
161-147 SERVICE		
DESCRIPTION: DOUBLE PULLEY;BOOK;FORMED (Strength)		
DRAWN BY:	LMB	DATE: 2016.MAR.25
UPDATED BY:	--	DATE: --

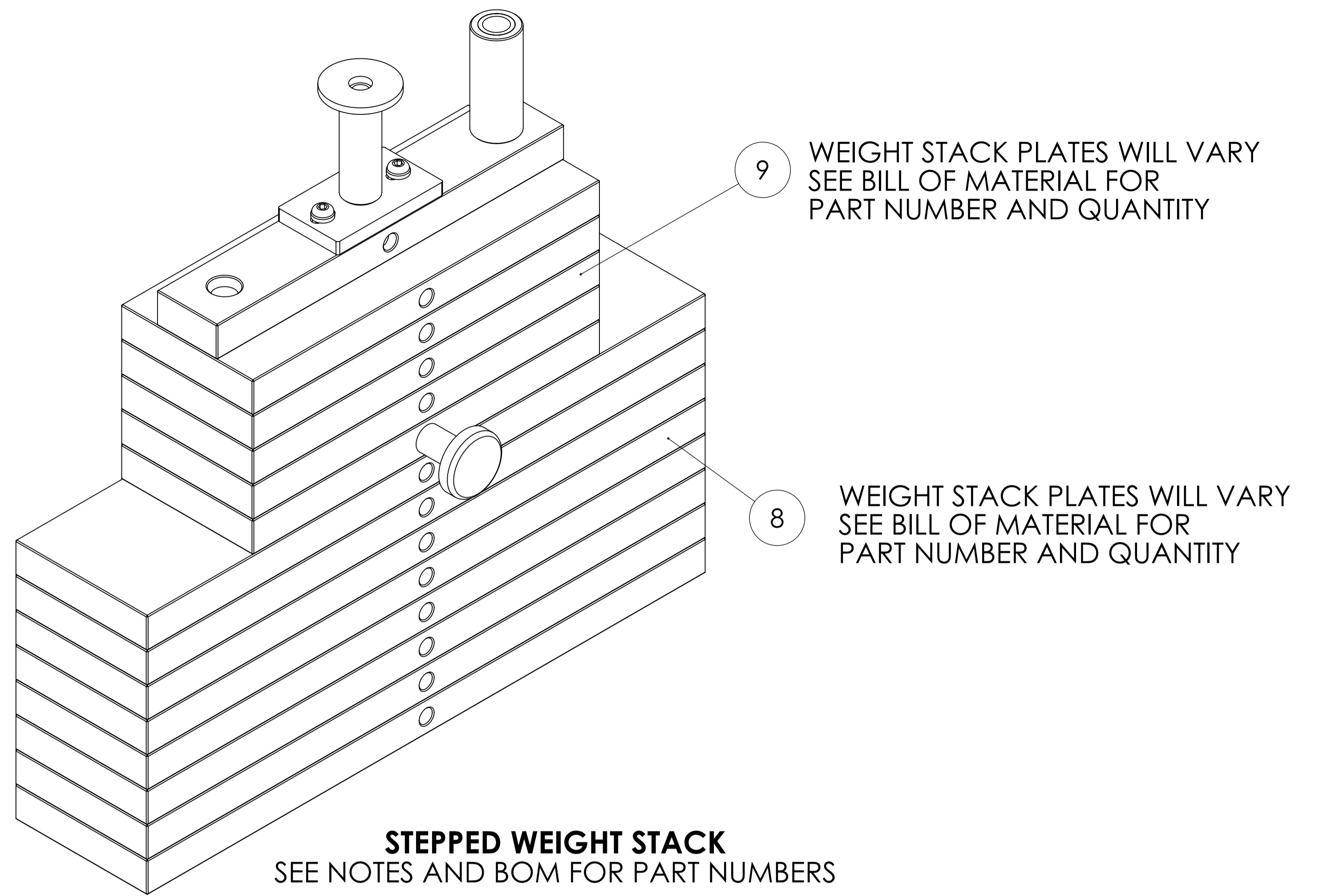


MATRIX

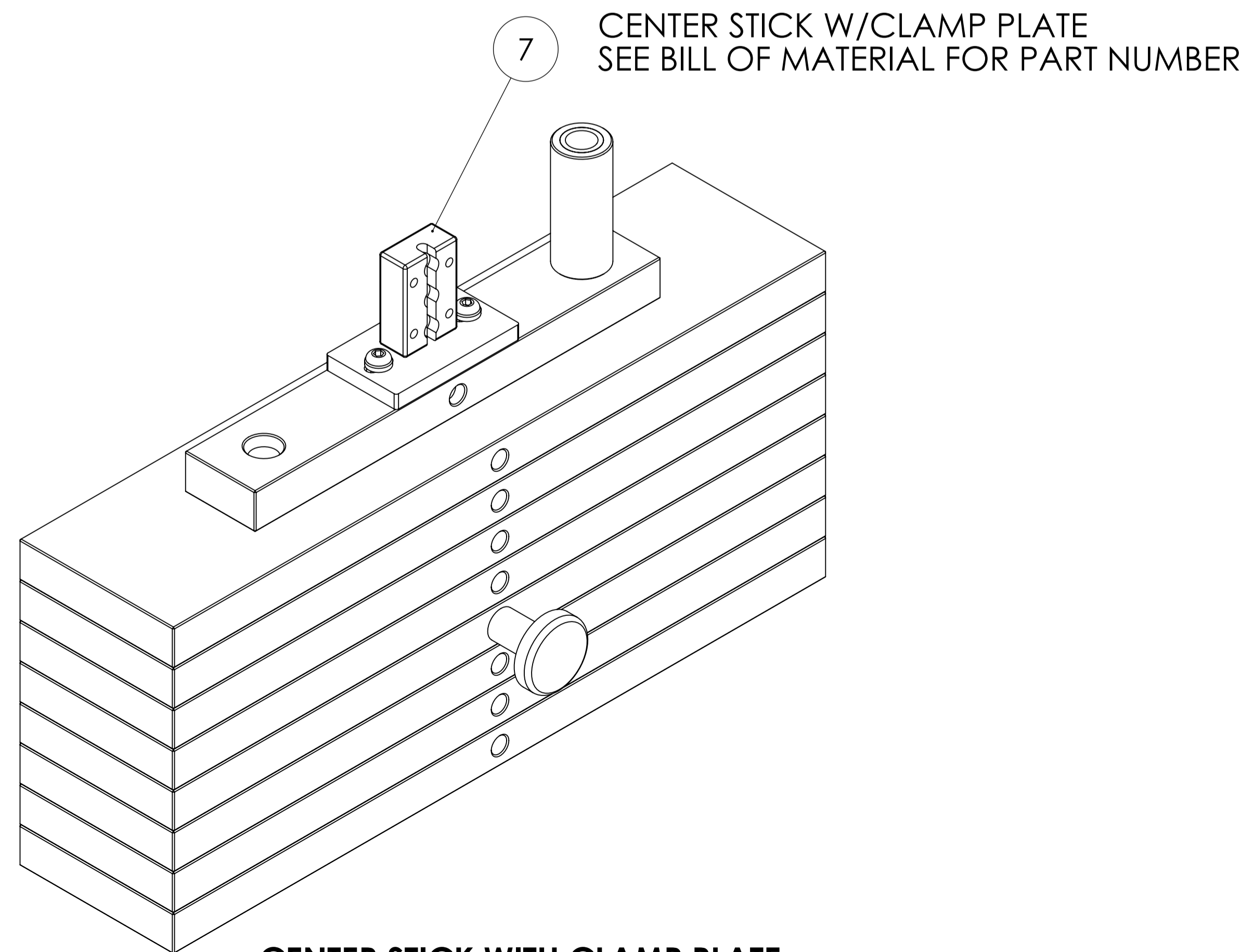
DWG NO.	161-148 SERVICE		
DESCRIPTION:	SLIDE ASSEMBLY; FORMED BOOK (Strength)		
DRAWN BY:	LMB	DATE:	2016.JUL.26
UPDATED BY:	LMB	DATE:	2017.AUG.17



**CENTER STICK WITH MOUNTING POST
CABLE MOUNTED WITH TAKE UP BOLT OR PULLEY
(SHOWN EXPLODED)
SEE NOTES AND BOM FOR PART NUMBERS**



**STEPPED WEIGHT STACK
SEE NOTES AND BOM FOR PART NUMBERS**



**CENTER STICK WITH CLAMP PLATE
SEE NOTES AND BOM FOR PART NUMBERS**

MATRIX

DWG NO. _WEIGHT STACK SERVICE		
DESCRIPTION: WEIGHT STACK/CENTERSTICK ASSY (Take Up Bolt, Pulley & Clamp Style)		
DRAWN BY: LMB	DATE: 2013.OCT.10	
UPDATED BY: LMB	DATE: 2017.DEC.29	