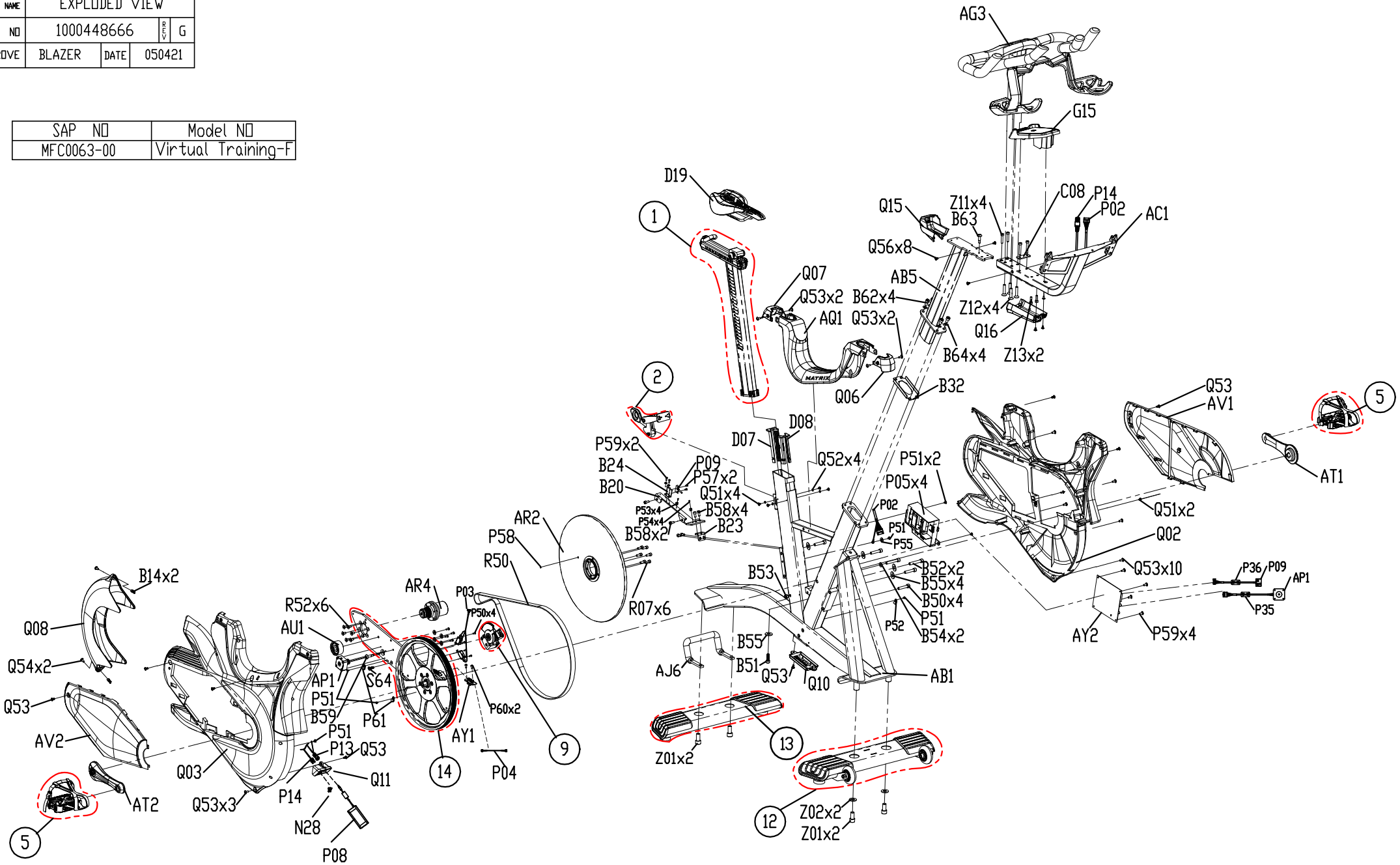
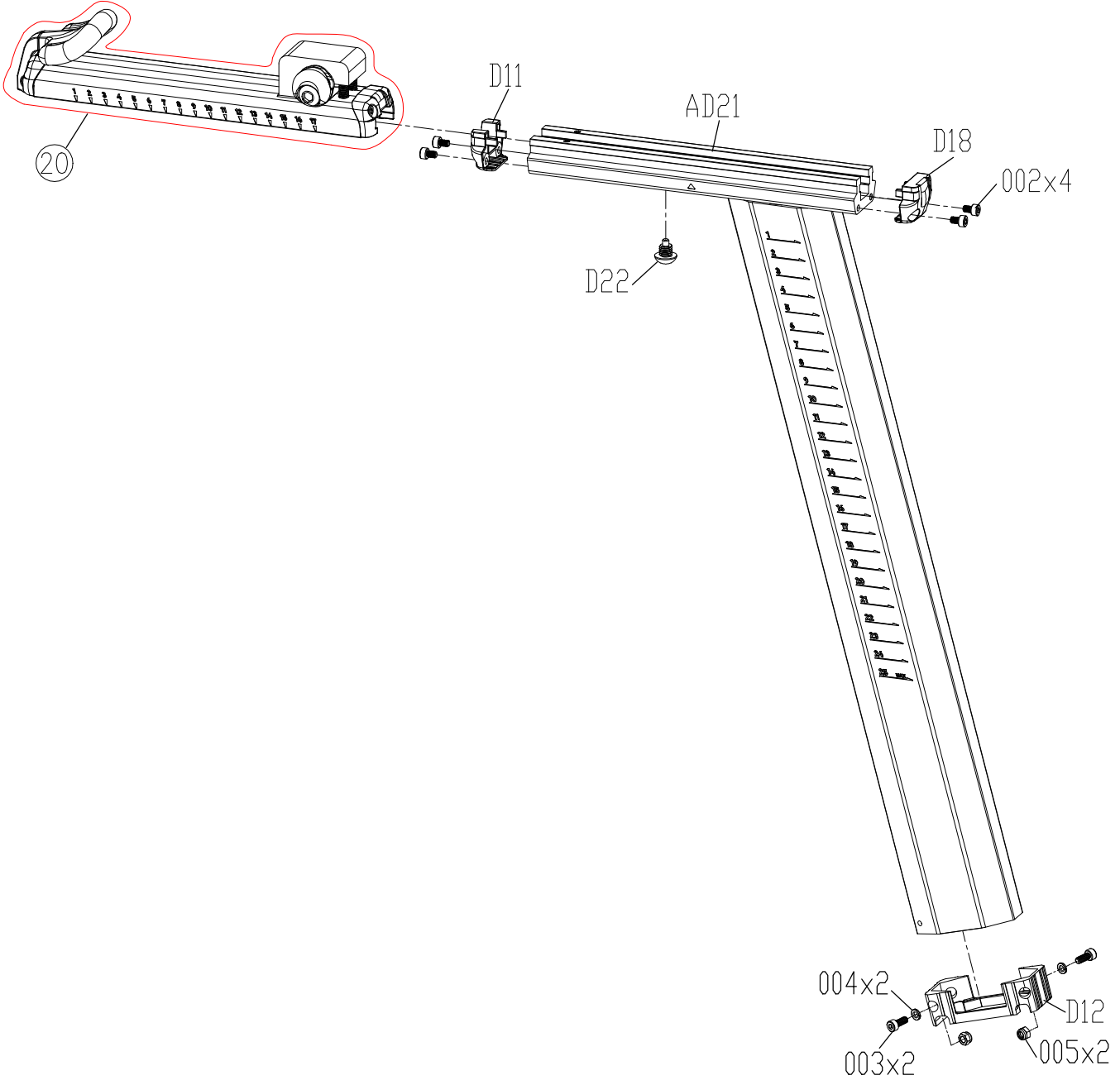


DRAWING NO	FC27-A04		
PART NAME	EXPLODED VIEW		
PART NO	1000448666	REV	G
APPROVE	BLAZER	DATE	050421

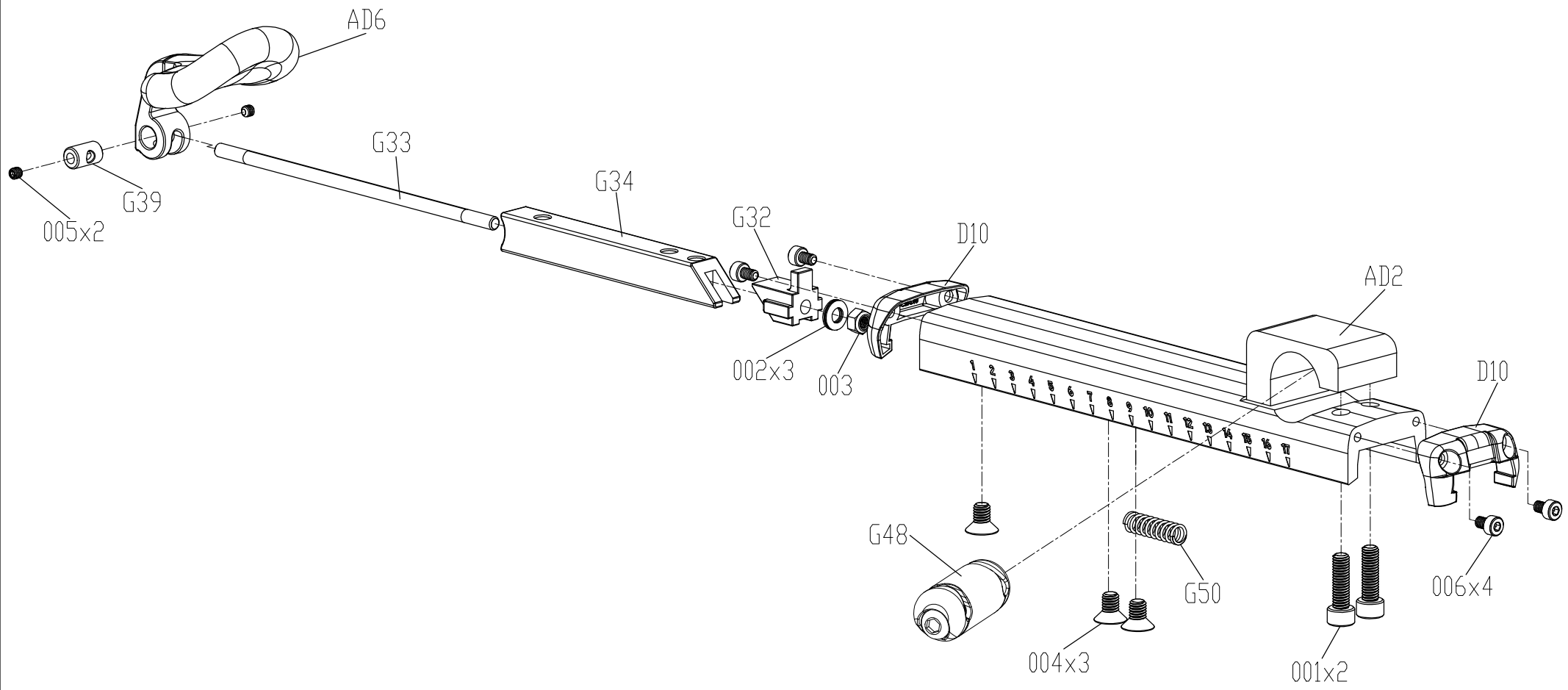
SAP NO	Model NO
MFC0063-00	Virtual Training-F



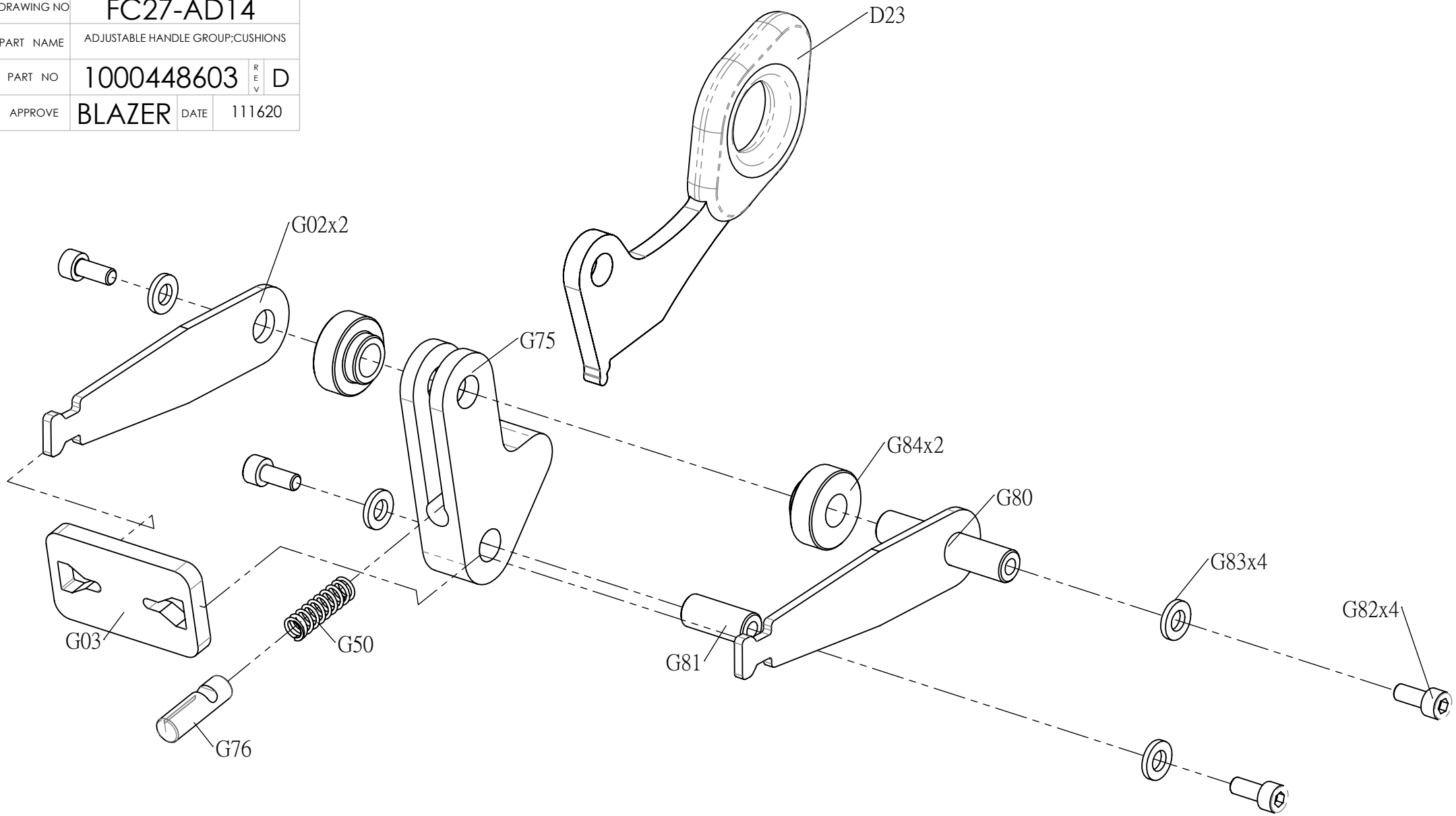
DRAWING NO	FC20-AD11		
PART NAME	Seat Post Set		
PART NO	1000404510 <small>REV D</small>		
APPROVE	S.T.C	DATE	20201109



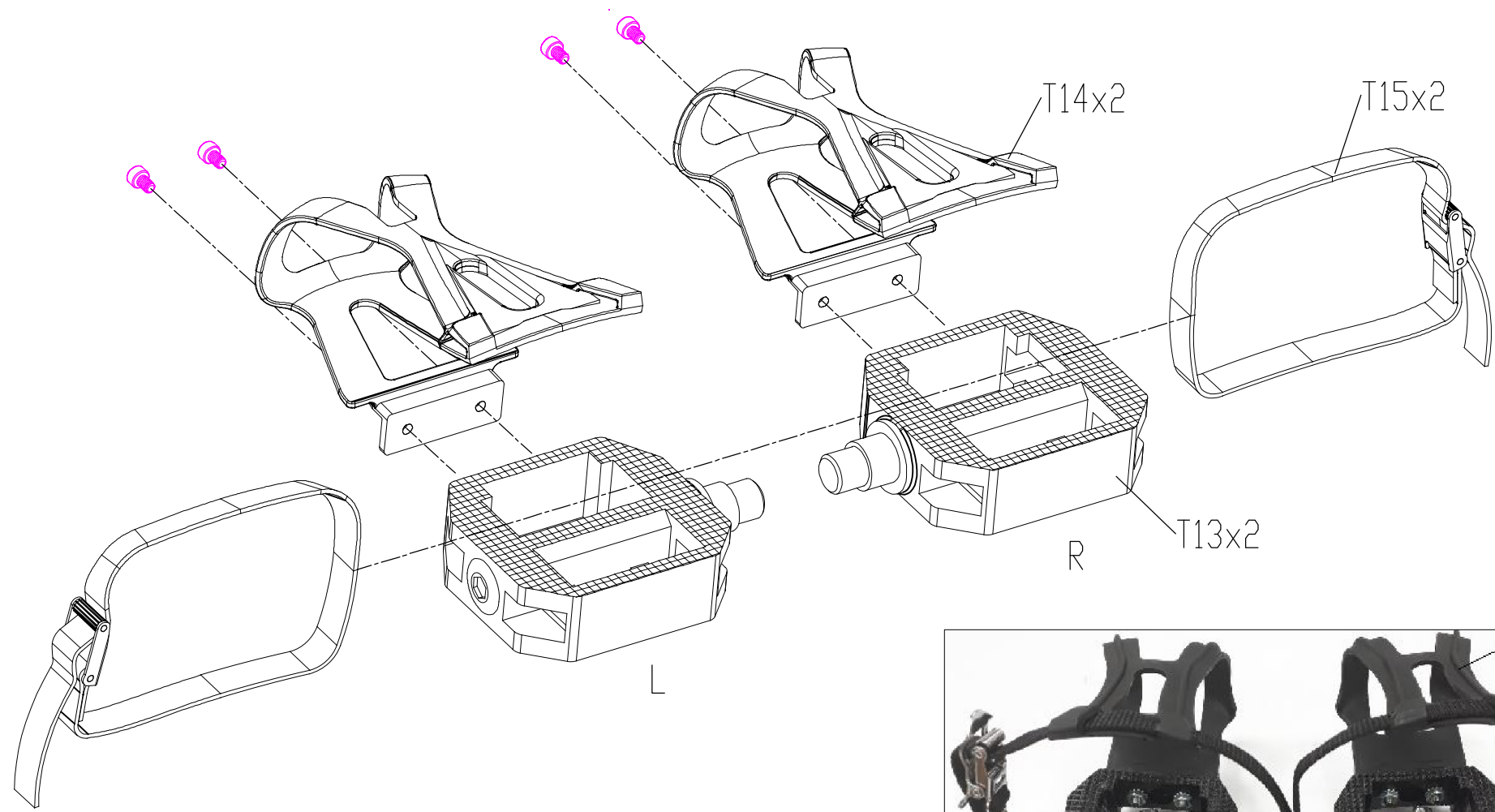
DRAWING NO	FC20-AD12		
PART NAME	Seat Pad Adjustable Set		
PART NO	1000404511 <small>REV D</small>		
APPROVE	S.T.C	DATE	20201109



DRAWING NO	FC27-AD14		
PART NAME	ADJUSTABLE HANDLE GROUP;CUSHIONS		
PART NO	1000448603	REV	D
APPROVE	BLAZER	DATE	111620



DRAWING NO	FC23-AT3		
PART NAME	Pedal set;;;;;FC23;		
PART NO	1000441505REV B		
APPROVE	Benson	DATE	20190522

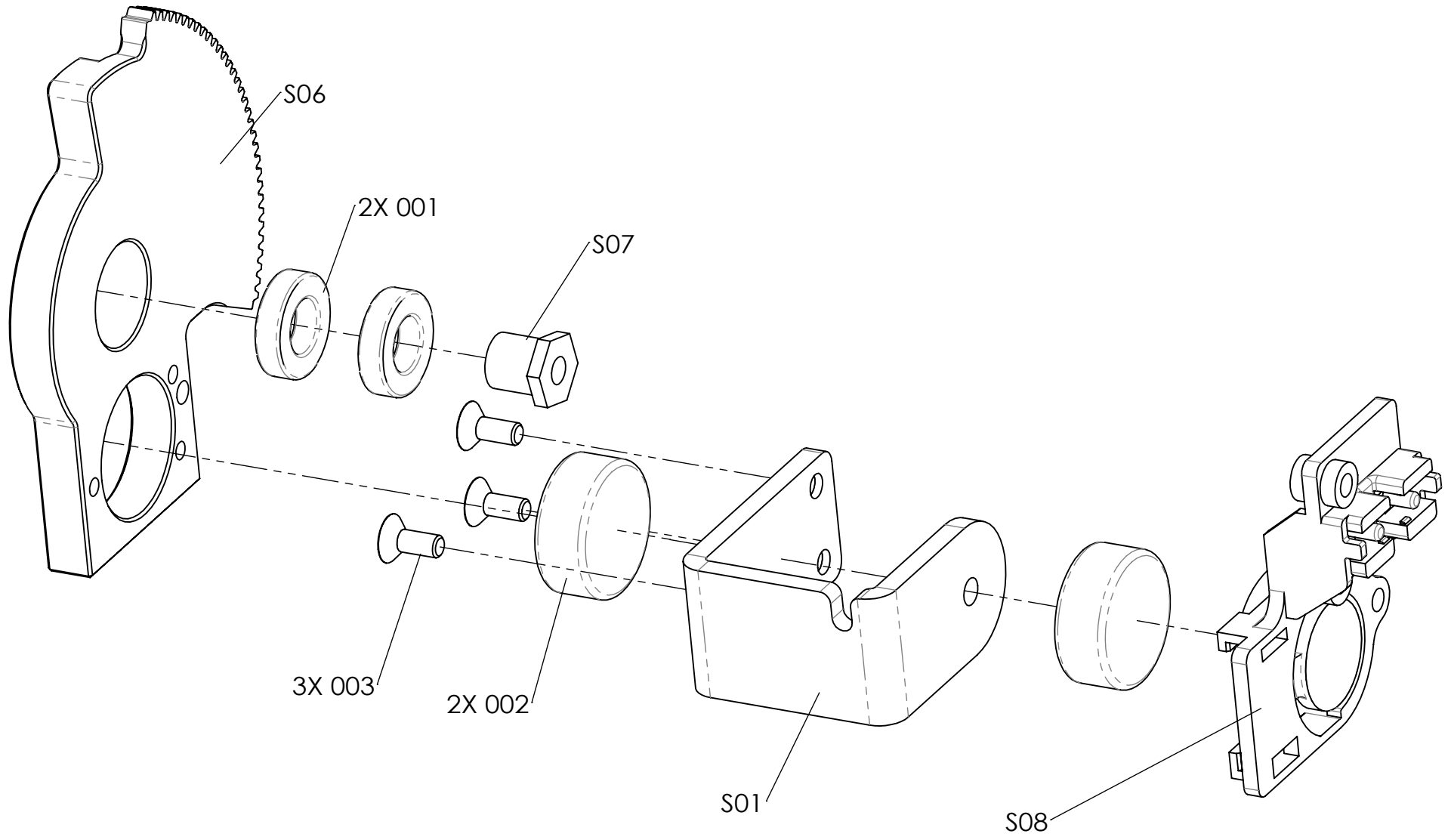


備註NOTES:

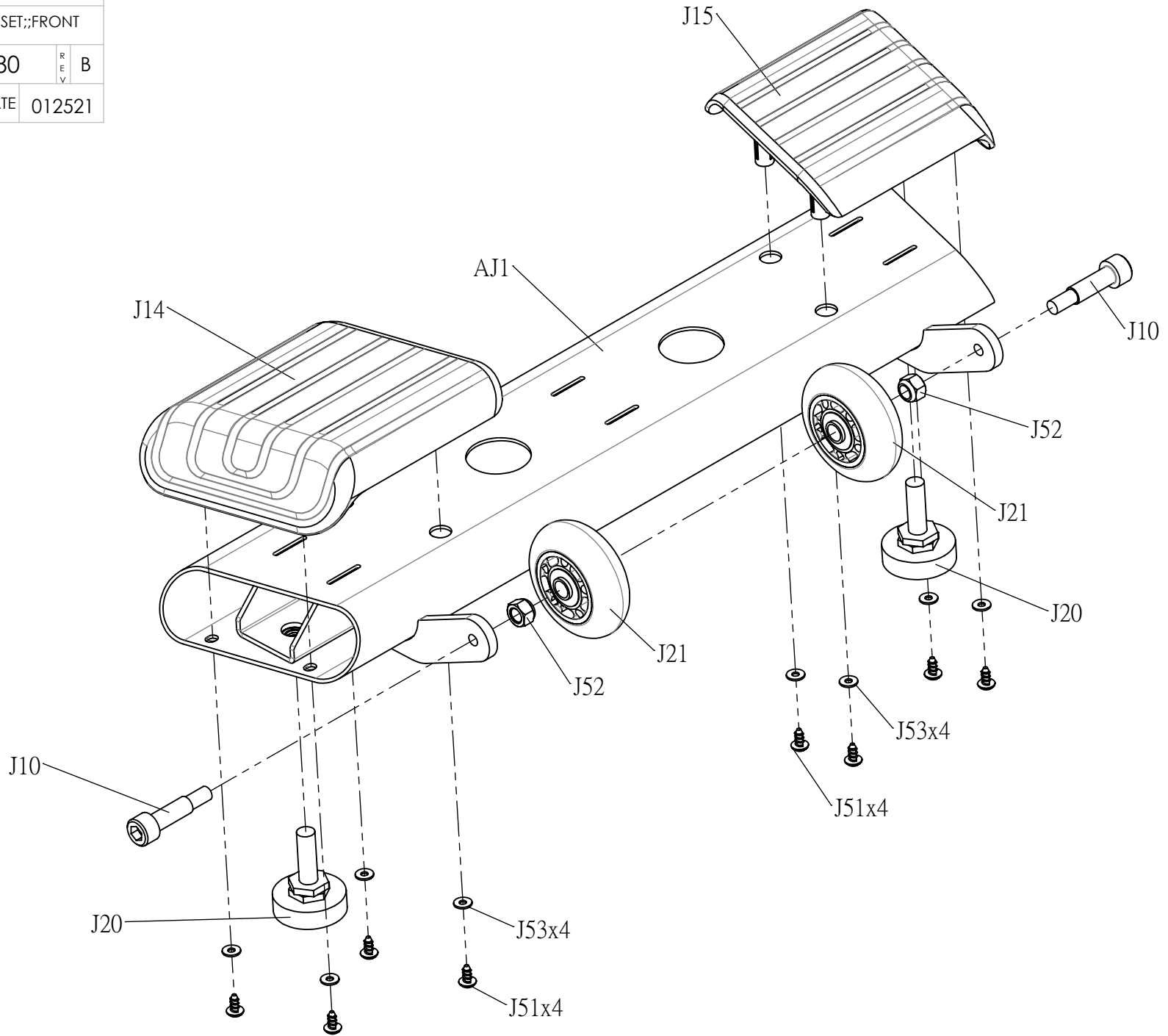
- 市購品,維格Wellgo E229B
Outsourcing, Wellgo E229B



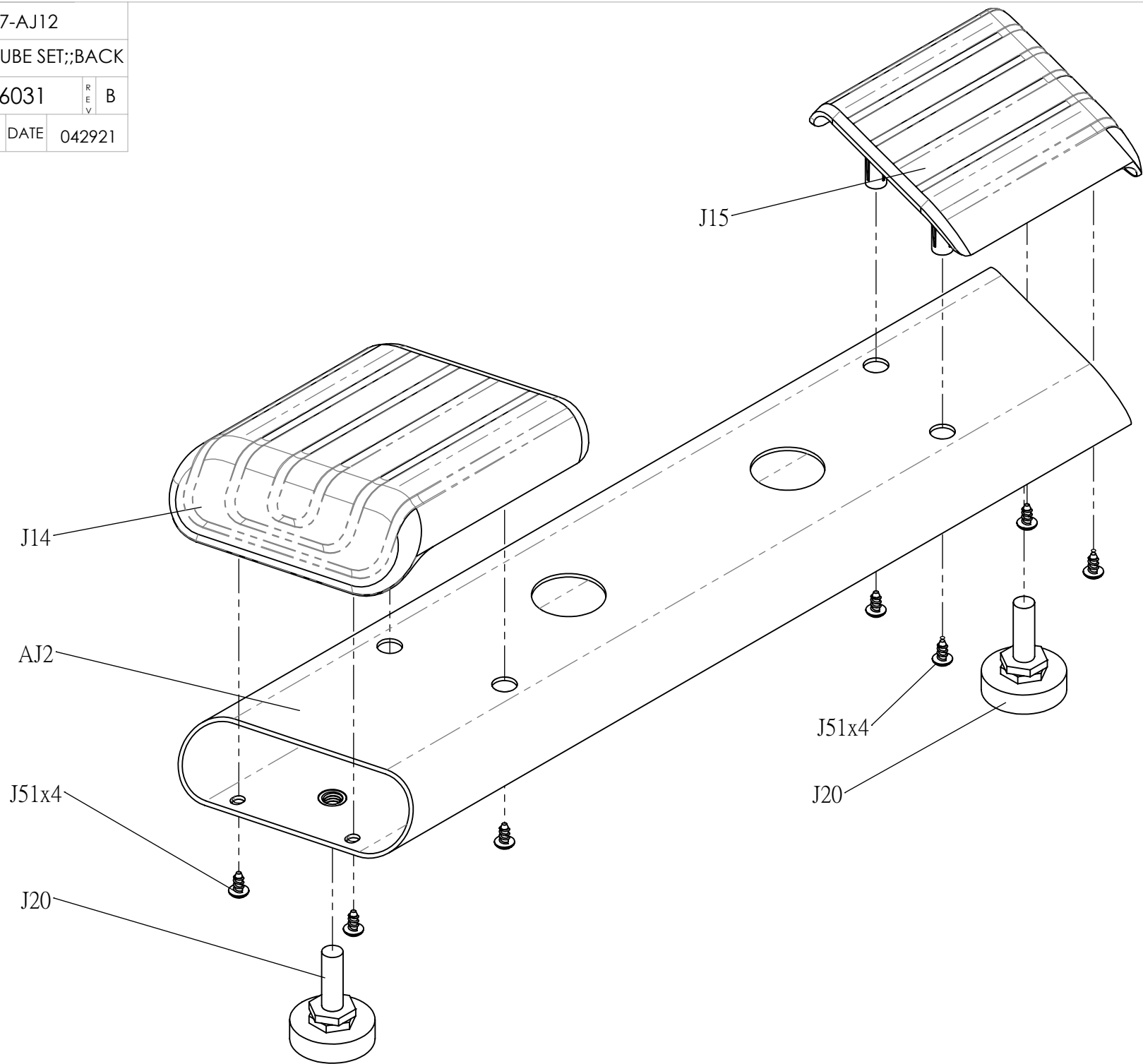
DRAWING NO	FC27-AS5		
PART NAME	FLYWHEEL SET;ECB		
PART NO	1000441877	REV	A
APPROVE	BLAZER	DATE	071020



DRAWING NO	FC27-AJ11		
PART NAME	STABILIZER TUBE SET;;FRONT		
PART NO	1000448580	REV	B
APPROVE	BLAZER	DATE	012521



DRAWING NO	FC27-AJ12		
PART NAME	STABILIZER TUBE SET;;BACK		
PART NO	1000466031	REV	B
APPROVE	BLAZER	DATE	042921



DRAWING NO	FC27-AR11		
PART NAME	TRANSMISSION SYSTEM SET		
PART NO	1000441884	REV	B
APPROVE	BLAZER	DATE	120820

