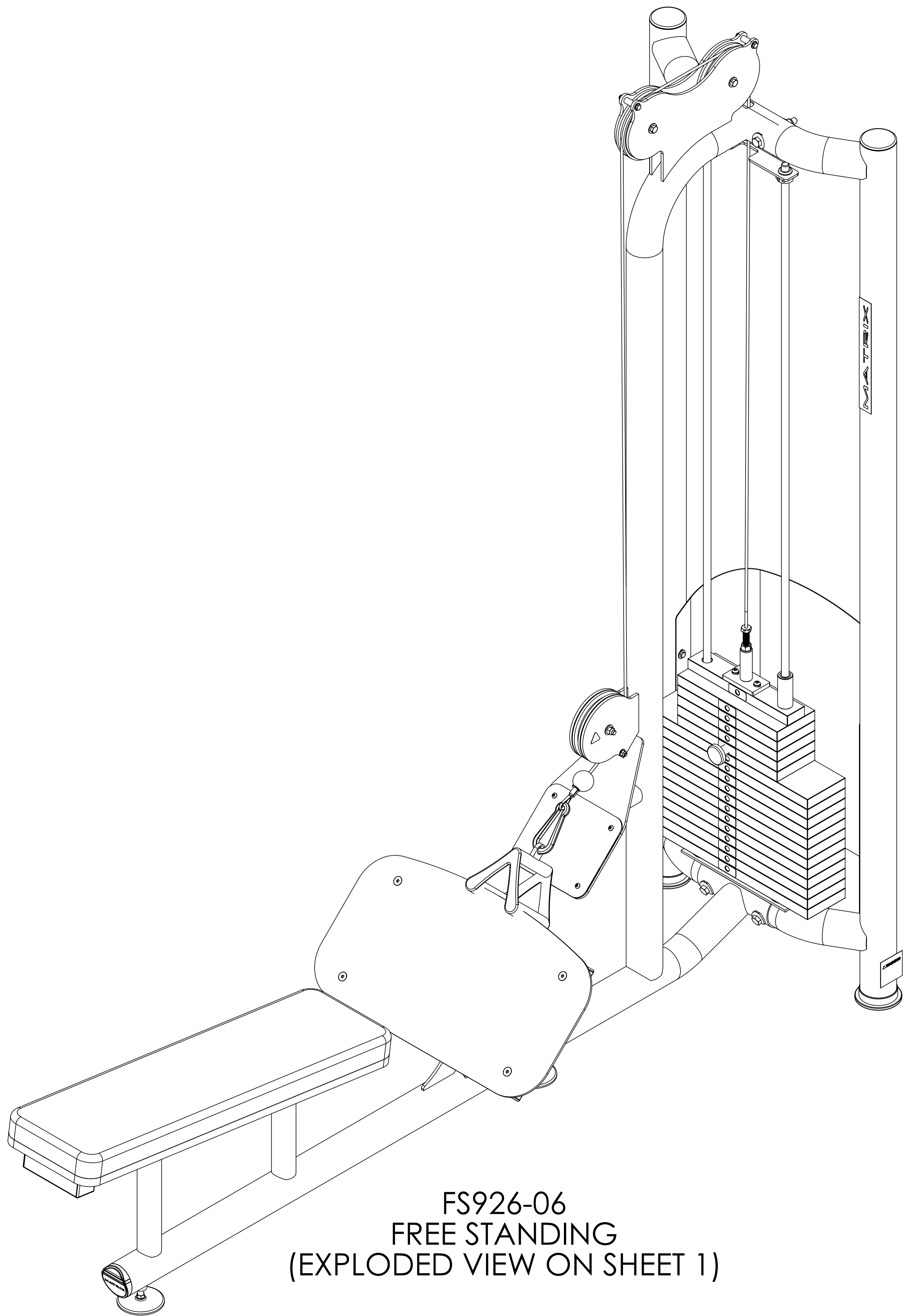


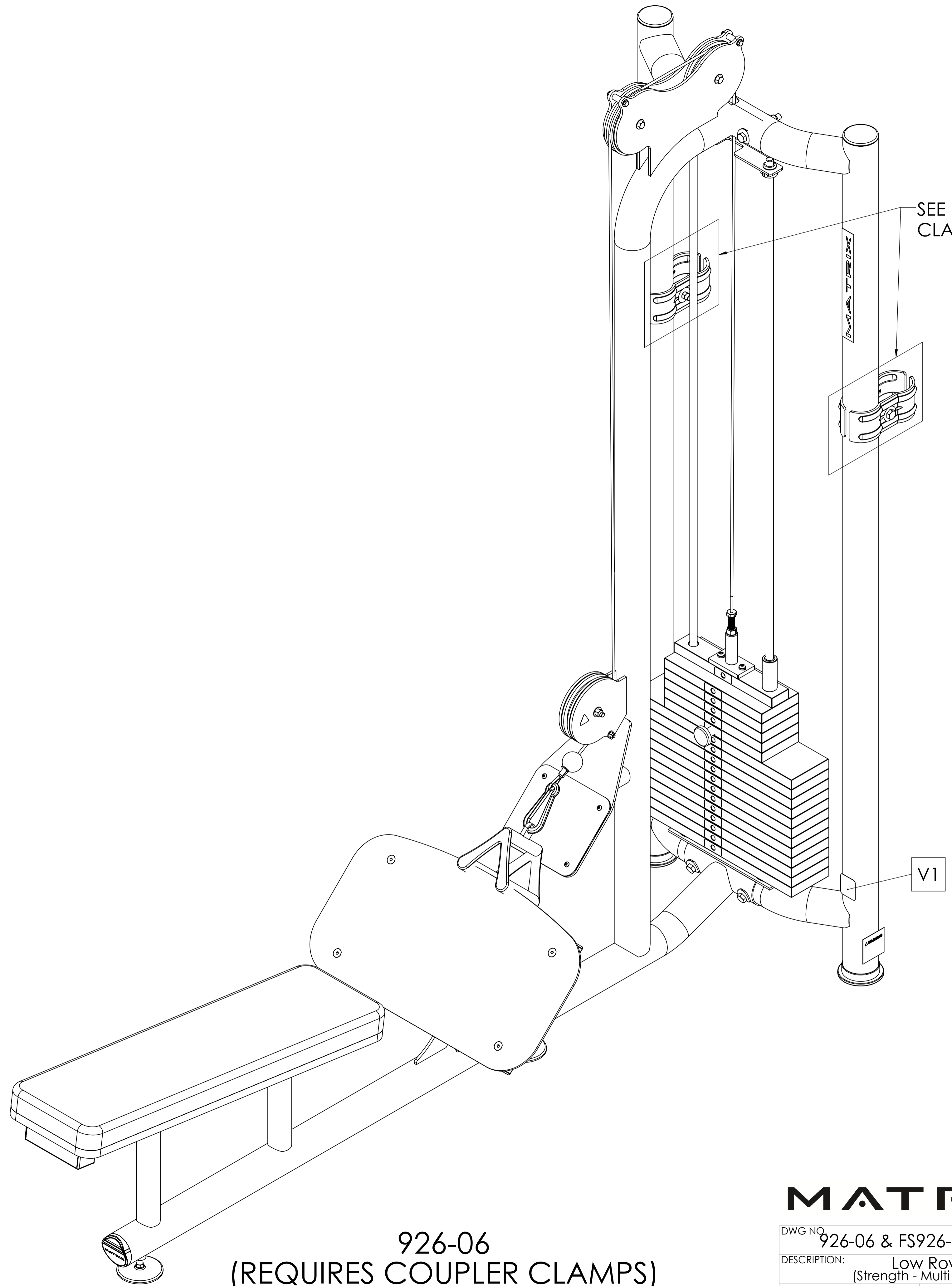
SEE WEIGHT  
STACK SHEET

**MATRIX**

DWG NO.		926-06 & FS926-06 SERVICE	
DESCRIPTION:		Low Row (Strength - Multi Station)	
DRAWN BY:	LMB	DATE:	2018.JAN.17
UPDATED BY:	LG	DATE:	2019.SEP.05



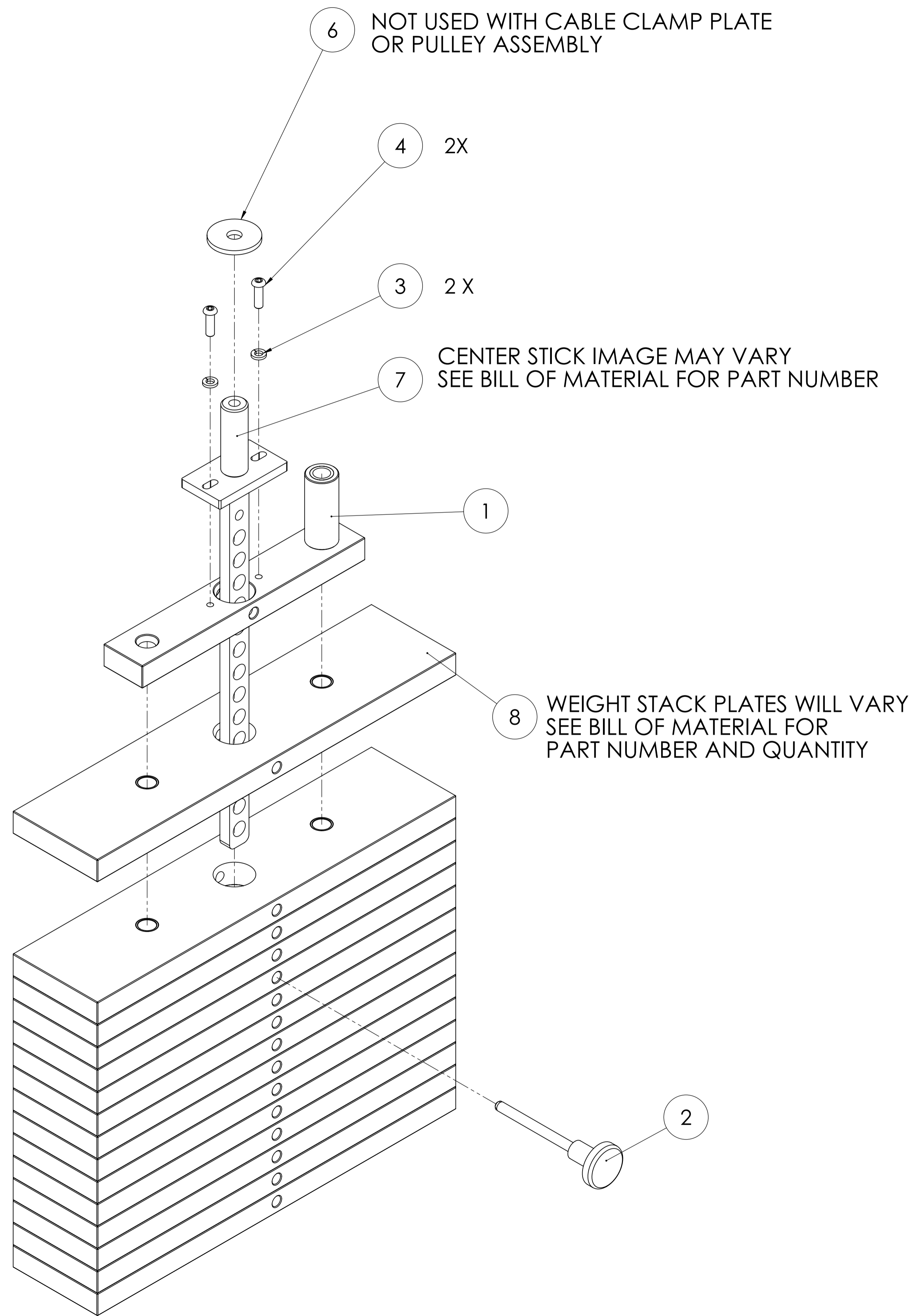
FS926-06  
FREE STANDING  
(EXPLODED VIEW ON SHEET 1)



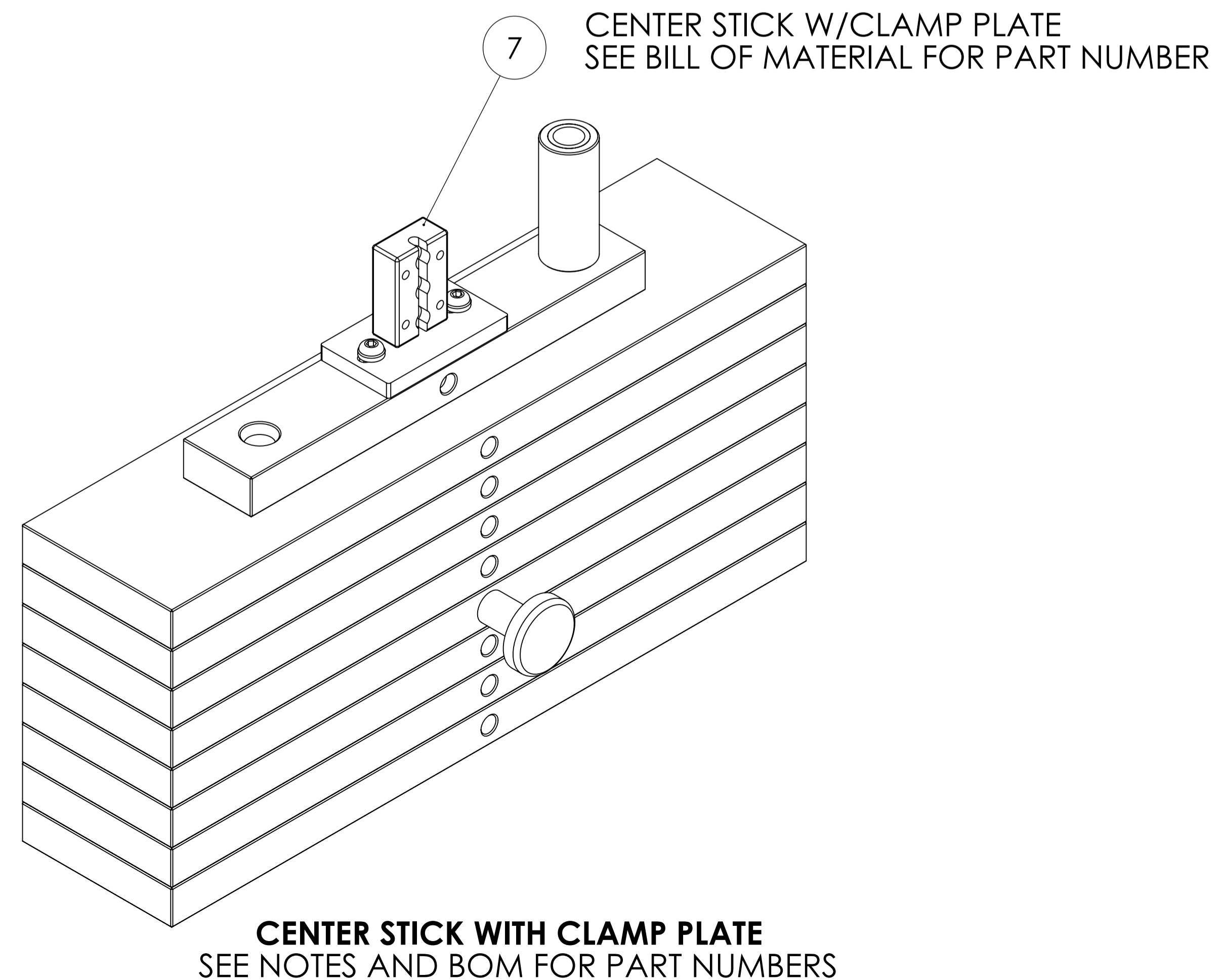
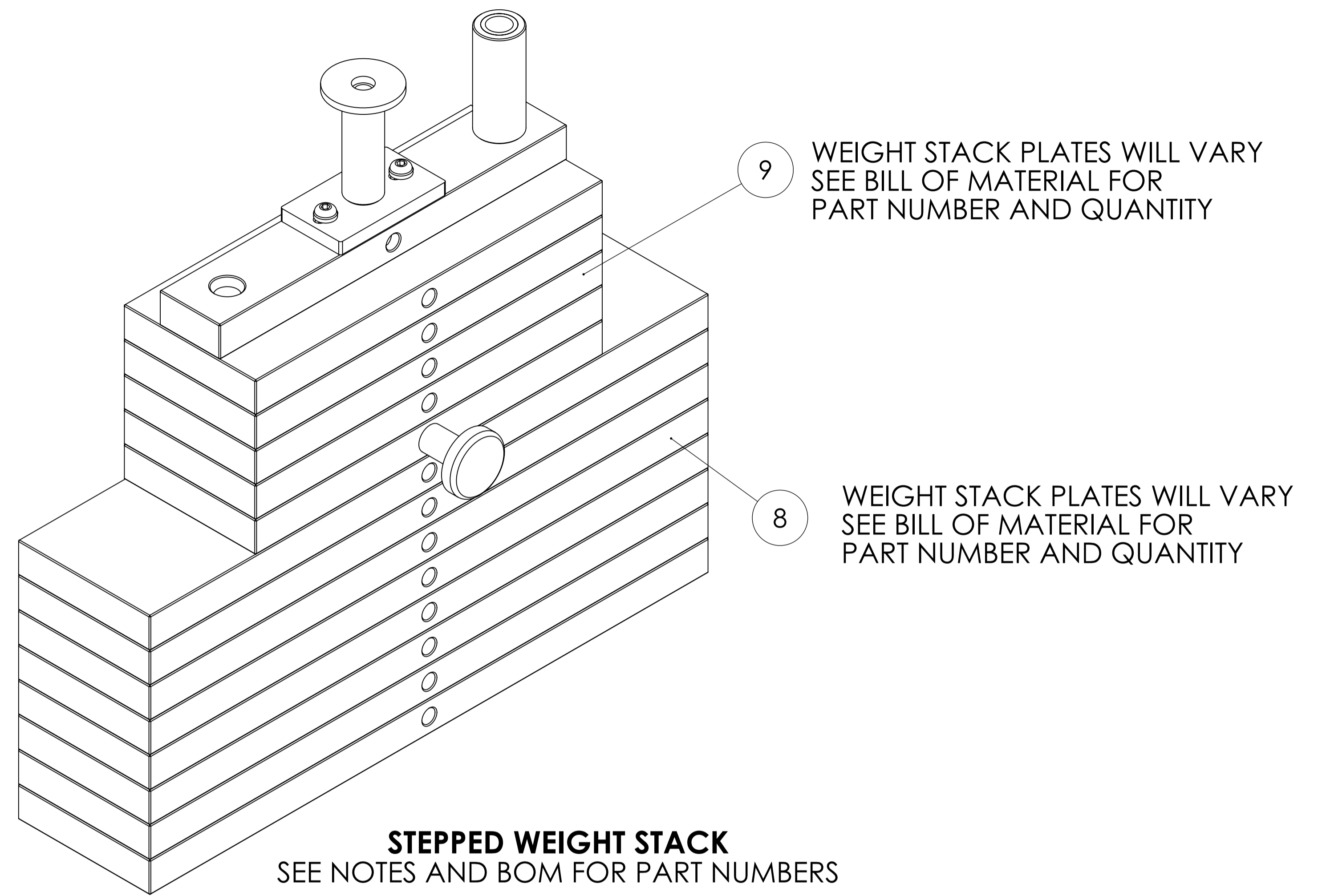
926-06  
(REQUIRES COUPLER CLAMPS)

**MATRIX**

DWG NO.	926-06 & FS926-06 SERVICE		
DESCRIPTION:	Low Row (Strength - Multi Station)		
DRAWN BY:	LMB	DATE	2018.JAN.17
UPDATED BY:	LG	DATE	2019.SEP.05



**CENTER STICK WITH MOUNTING POST  
CABLE MOUNTED WITH TAKE UP BOLT OR PULLEY  
(SHOWN EXPLODED)  
SEE NOTES AND BOM FOR PART NUMBERS**



**MATRIX**

DWG NO. <b>_WEIGHT STACK SERVICE</b>		
DESCRIPTION: <b>WEIGHT STACK/CENTERSTICK ASSY (Take Up Bolt, Pulley &amp; Clamp Style)</b>		
DRAWN BY: LMB	DATE: 2013.OCT.10	
UPDATED BY: LMB	DATE: 2017.DEC.29	