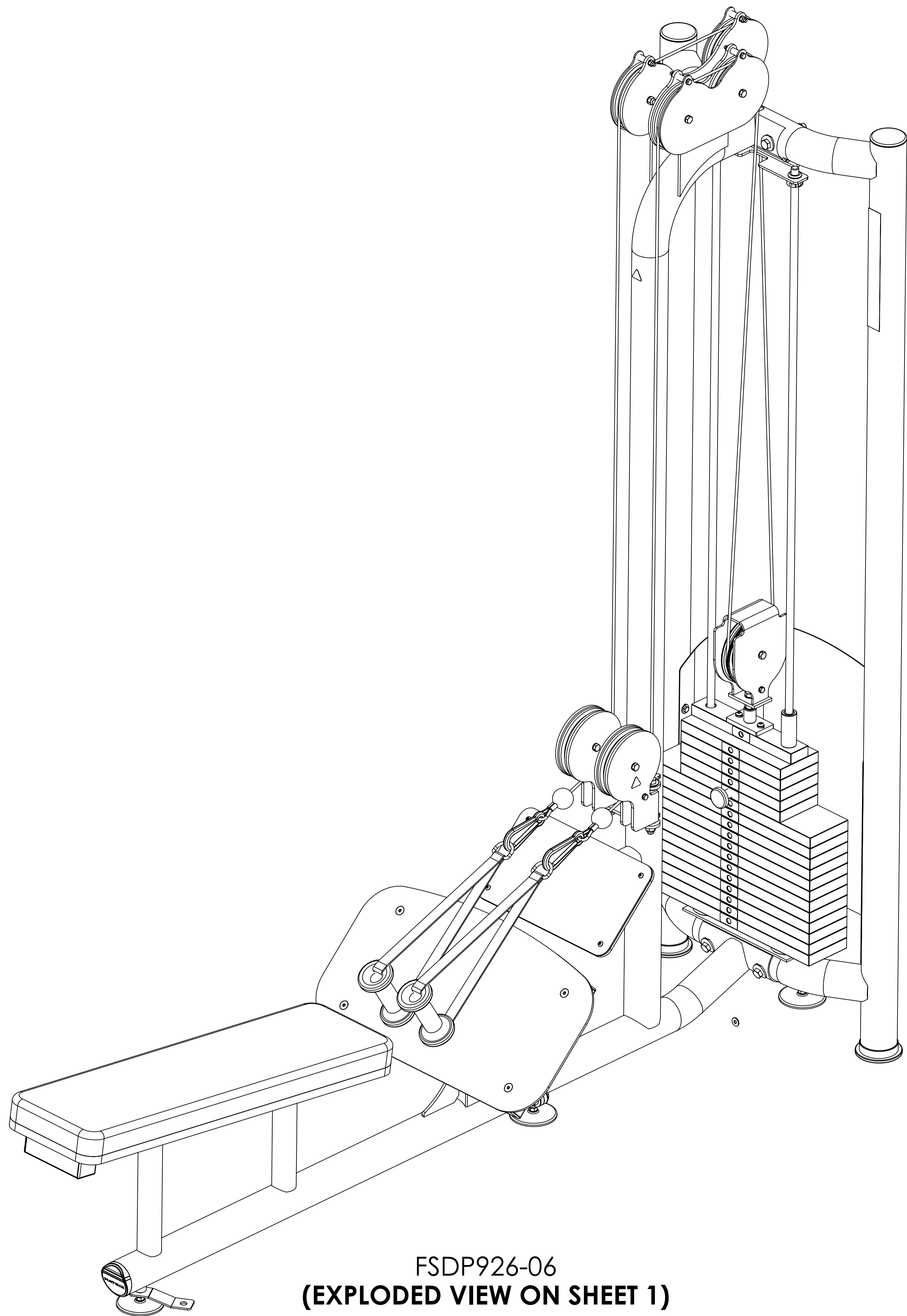
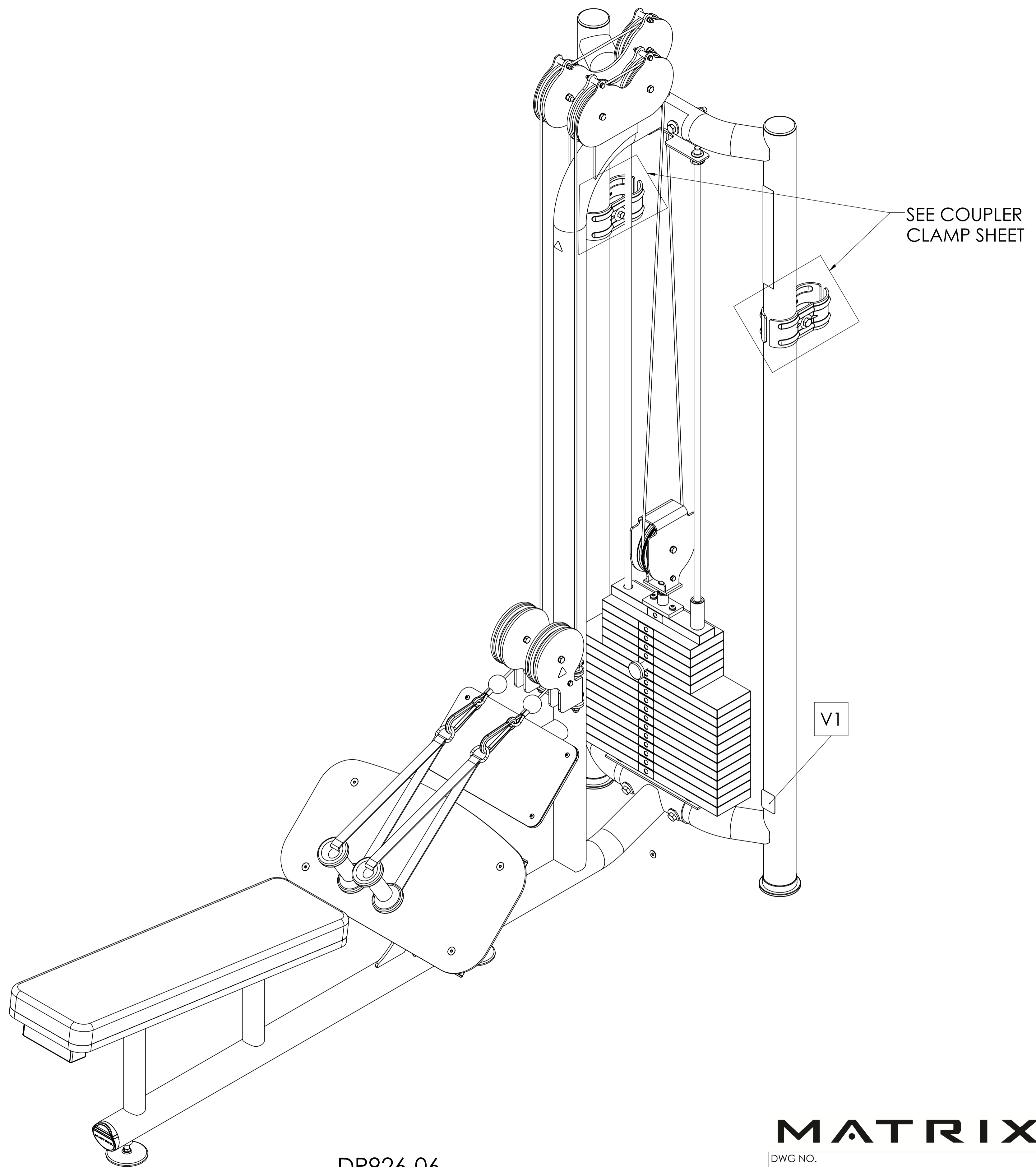


MATRIX

DWG NO.		DP926-06 & FSDP926-06 SERVICE	
DESCRIPTION:		Dual-pulley Low Row (Strength - Multi-Station)	
DRAWN BY:	LMB	DATE:	2018.JAN.17
UPDATED BY:	LG	DATE:	2019.SEP.05



FSDP926-06
(EXPLODED VIEW ON SHEET 1)



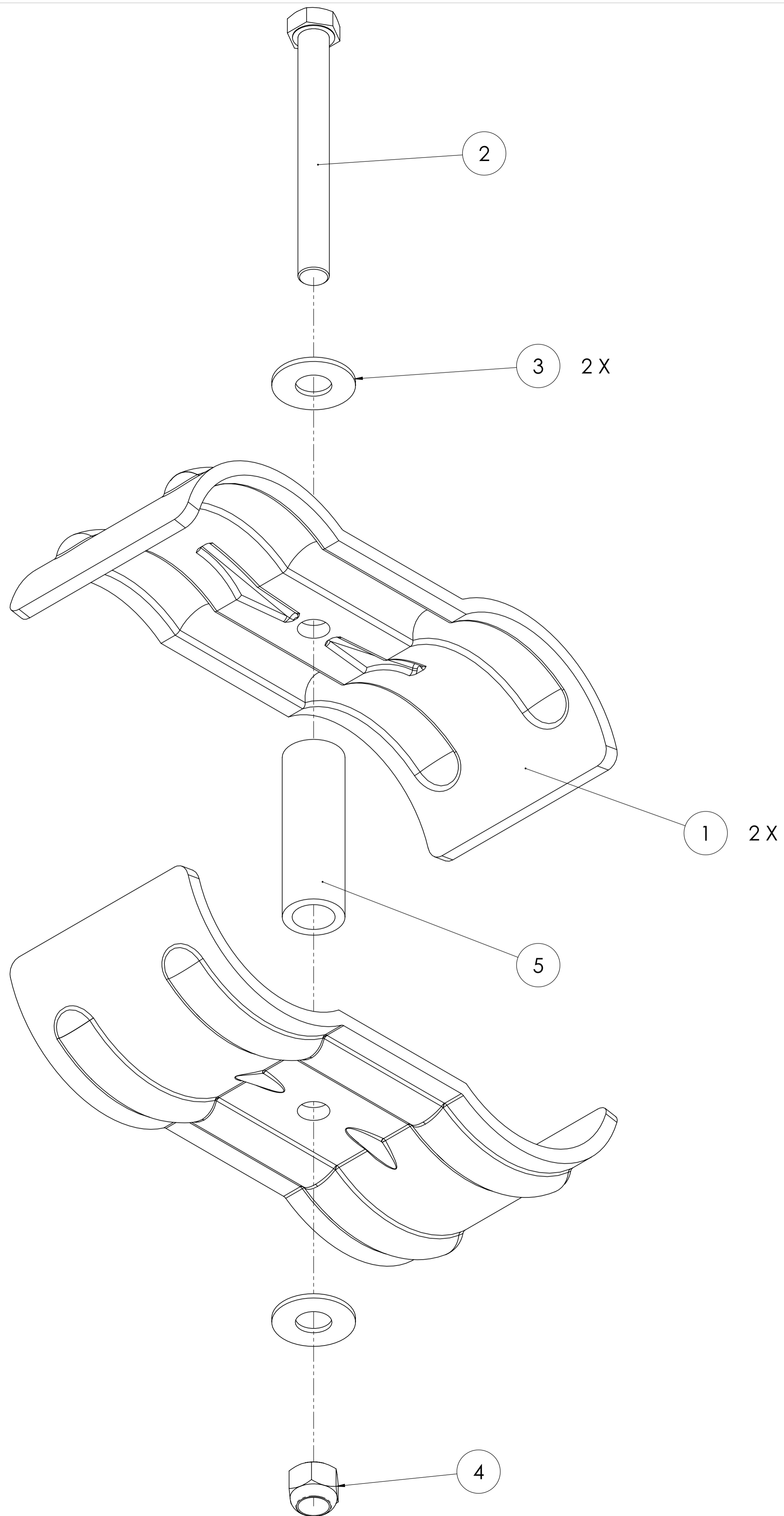
DP926-06
(REQUIRES COUPLER CLAMPS)

MATRIX

DWG NO. DP926-06 & FSDP926-06 SERVICE

DESCRIPTION: Dual-pulley Low Row
(Strength - Multi- Station)

DRAWN BY:	LMB	DATE:	2018.JAN.17
UPDATED BY:	LG	DATE:	2019.SEP.05



MATRIX

DWG NO.

160-257 SERVICE

DESCRIPTION:

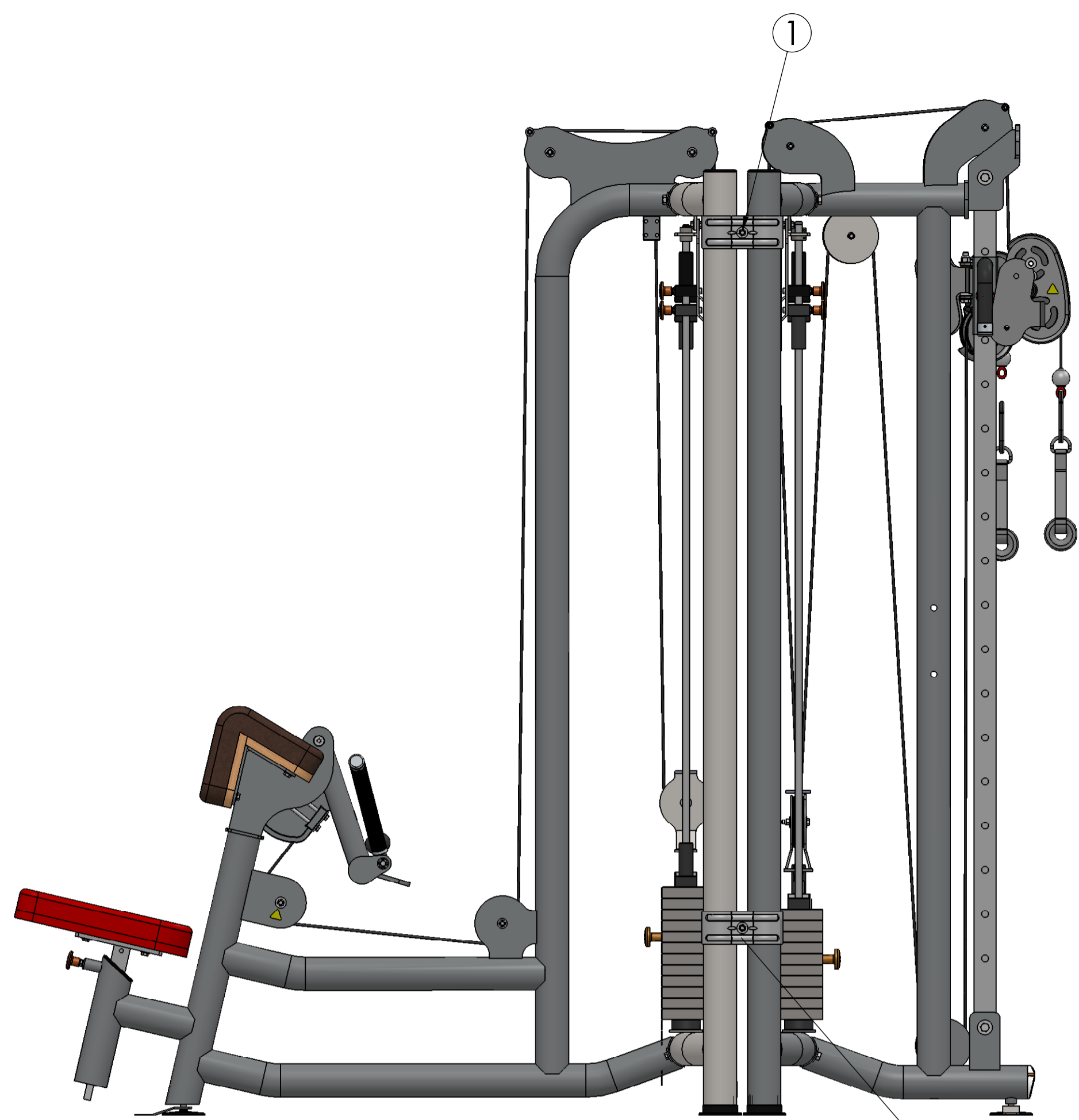
900 SERIES TOWER CLAMP (SINGLE)
(Strength - Multi Station)

DRAWN BY: LMB

DATE: 2016.JAN.14

UPDATED BY:

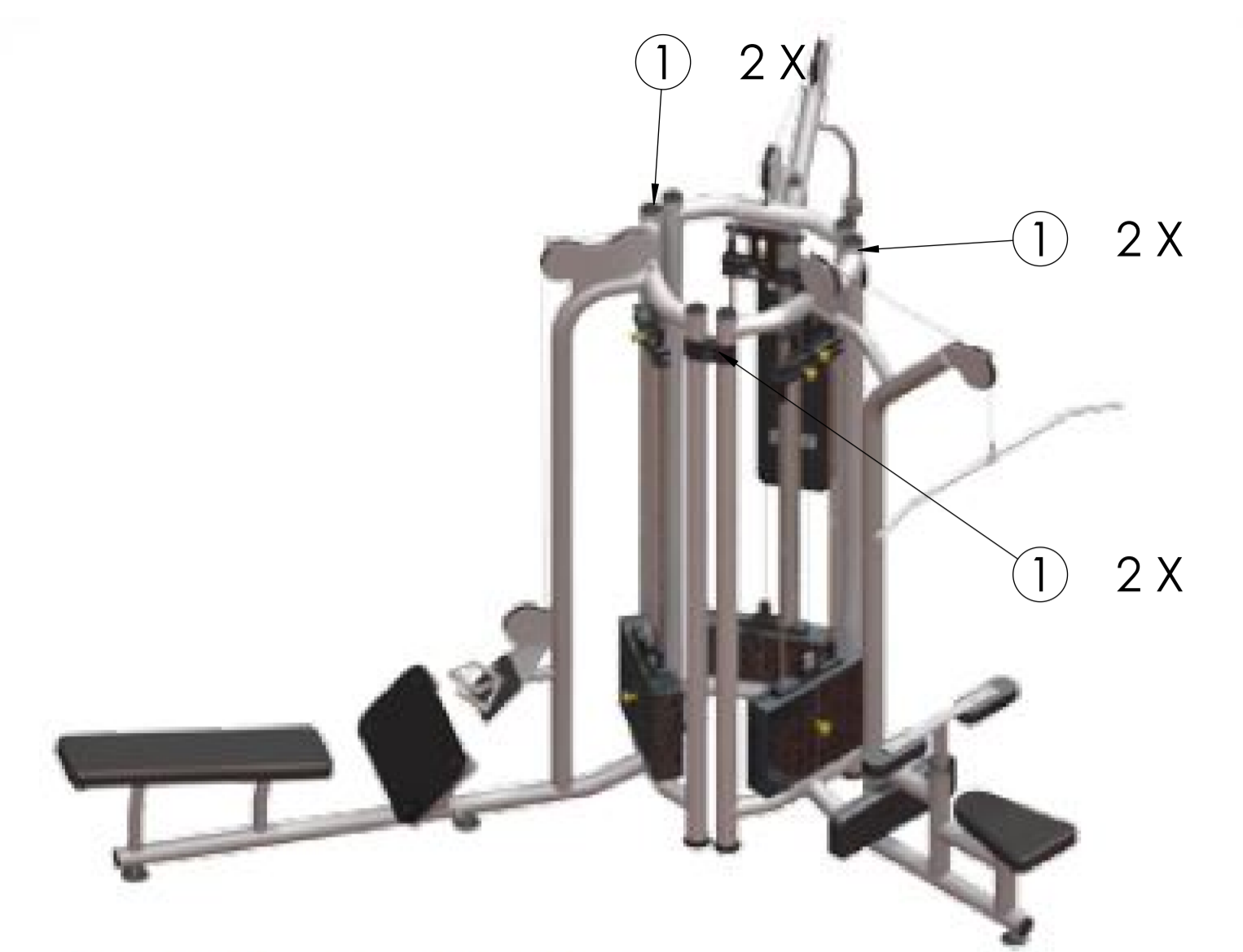
DATE:



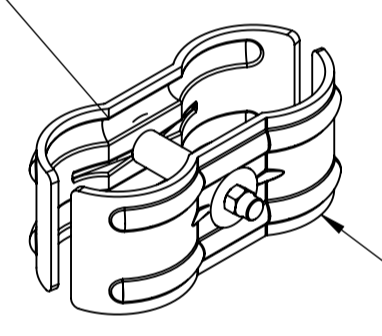
TWO STACK



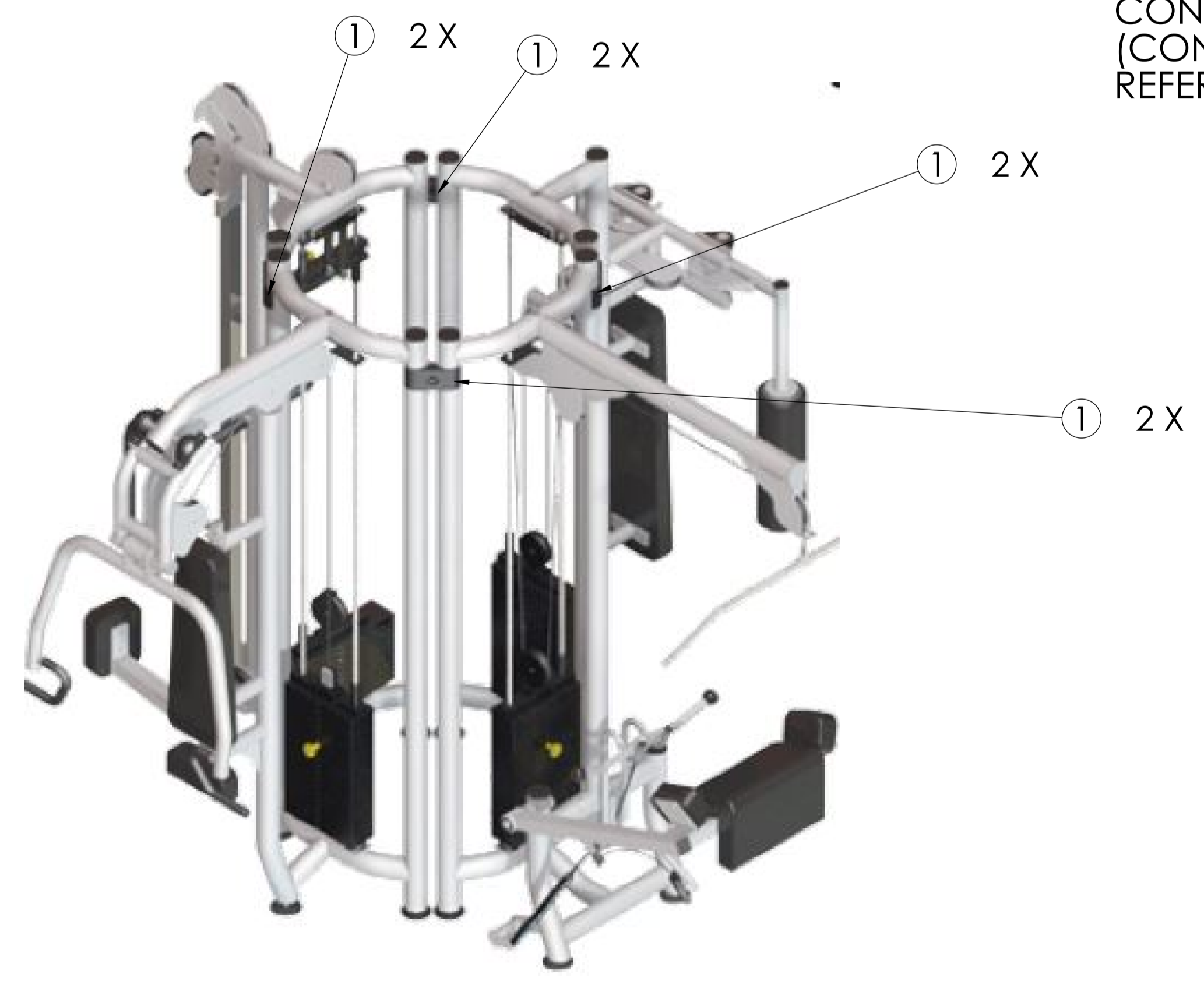
TWO STACK



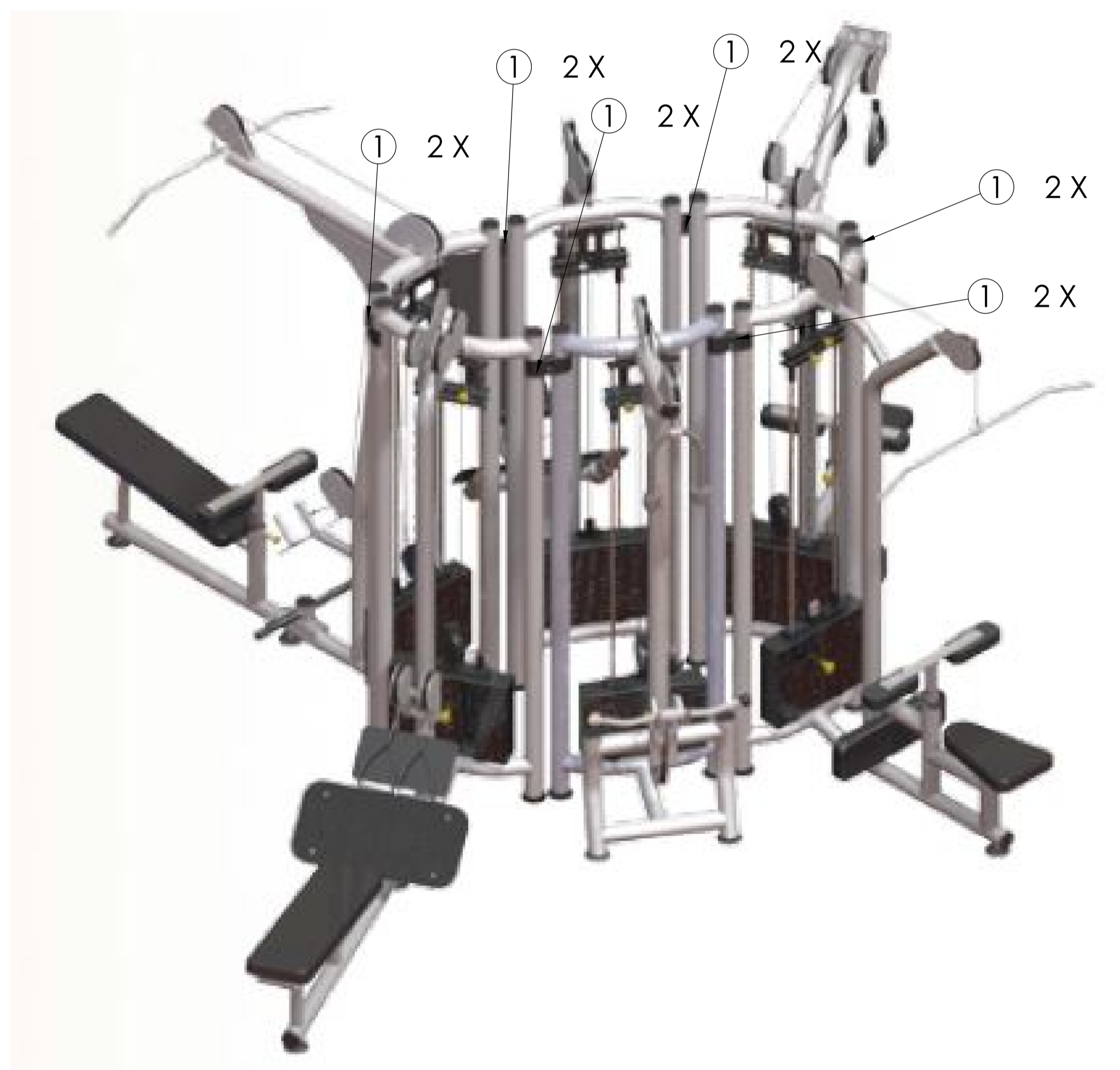
THREE STACK



EXPLODED VIEW SHOWN ON SHEET 1
 NOTE: QUANTITY REQUIRED FOR EACH CONFIGURATION WILL VARY
 (CONFIGURATIONS SHOWN ARE FOR REFERENCE ONLY)



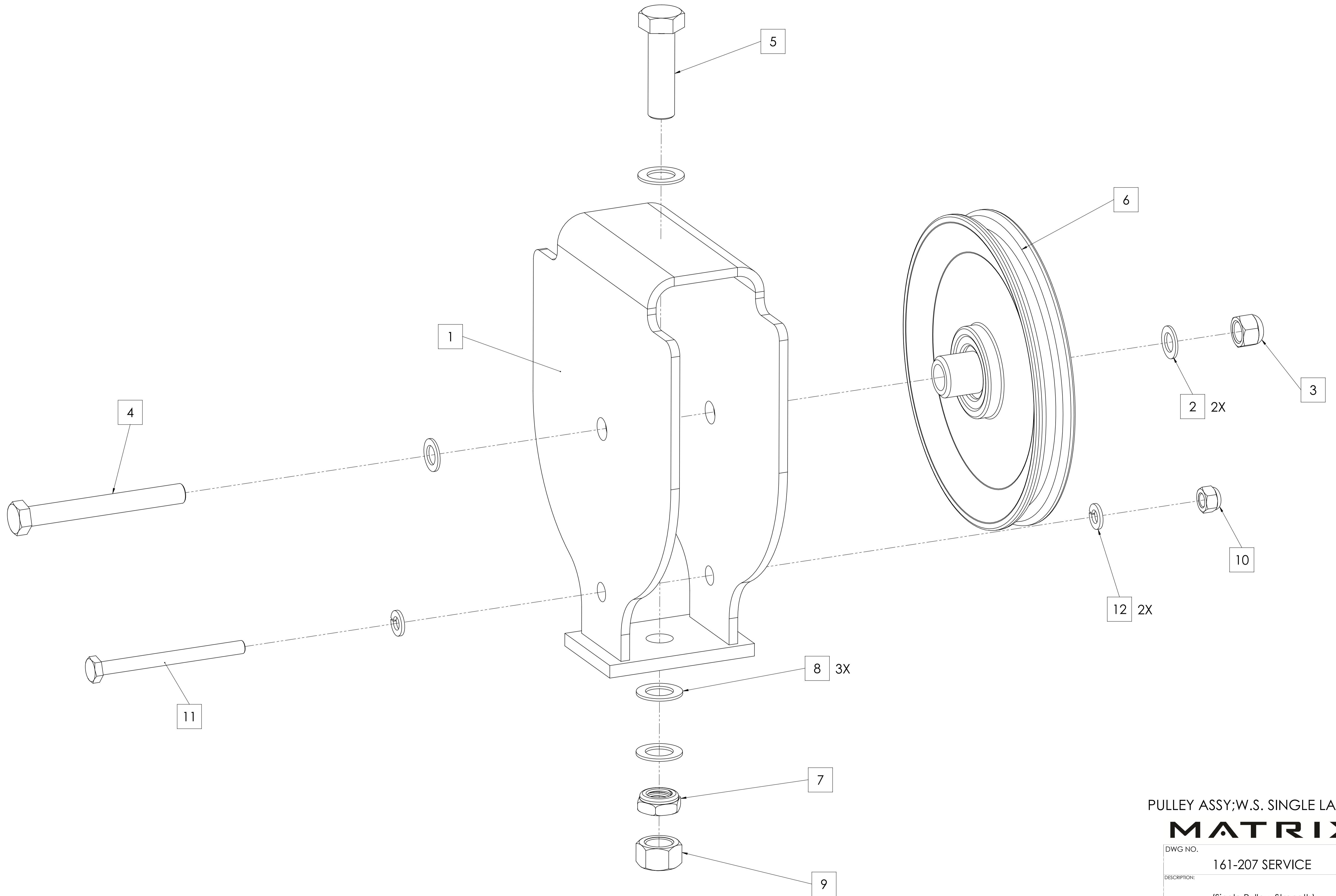
FOUR STACK



SIX STACK

MATRIX

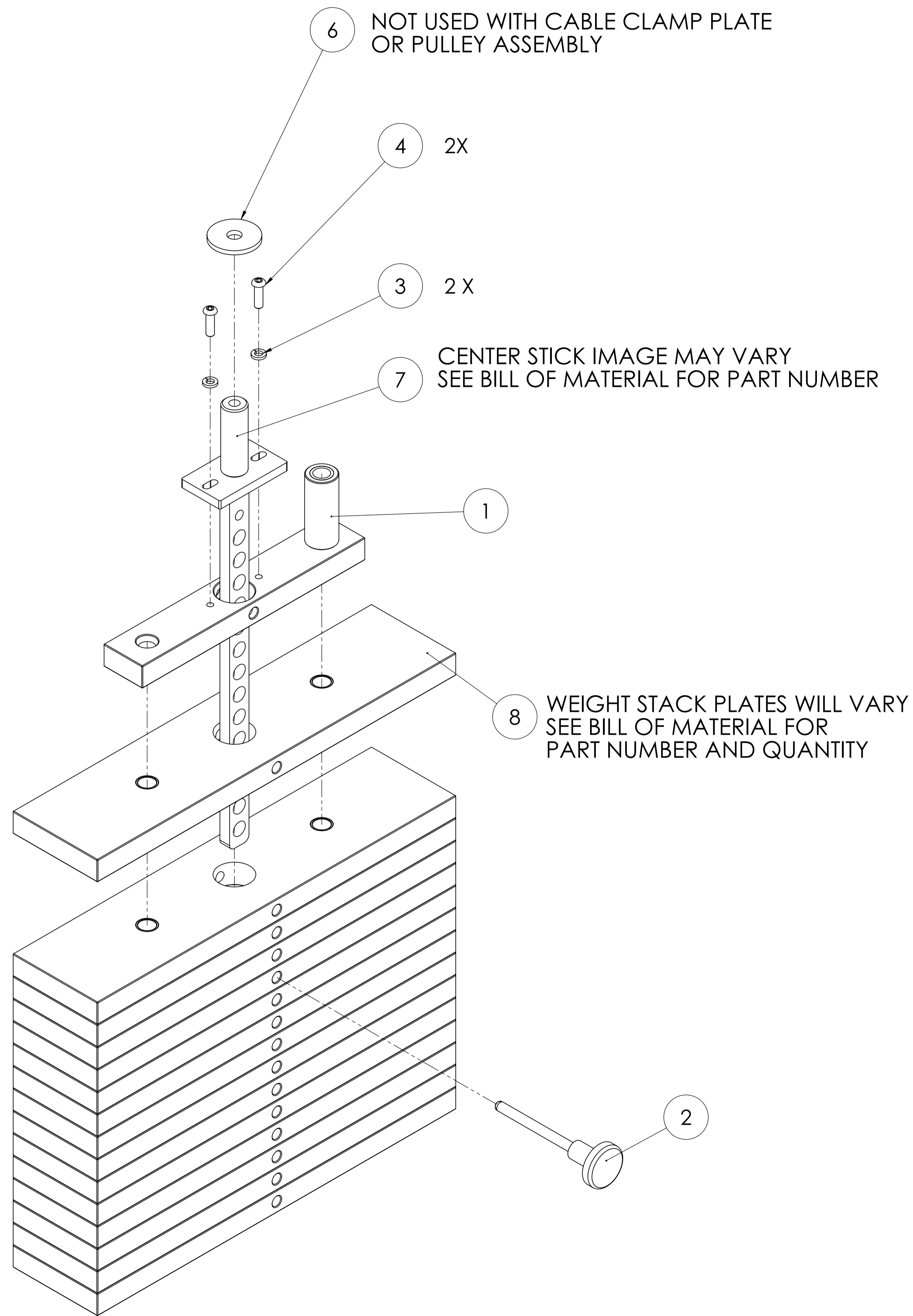
DWG NO.		160-257 SERVICE	
DESCRIPTION:		COUPLER(CONFIGURATIONS) (Strength - Multi Station)	
DRAWN BY:	LMB	DATE:	2016.JAN.14
UPDATED BY:		DATE:	



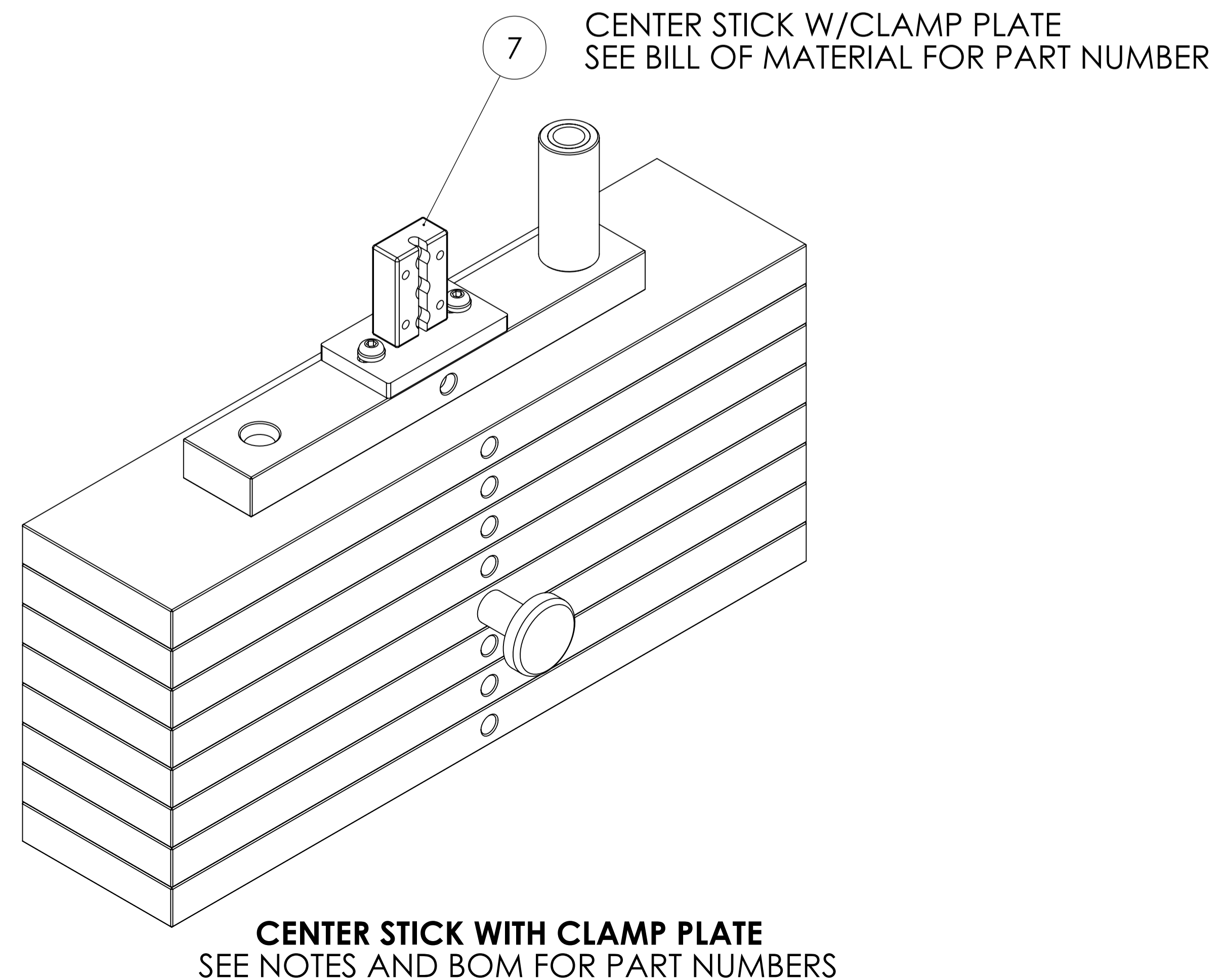
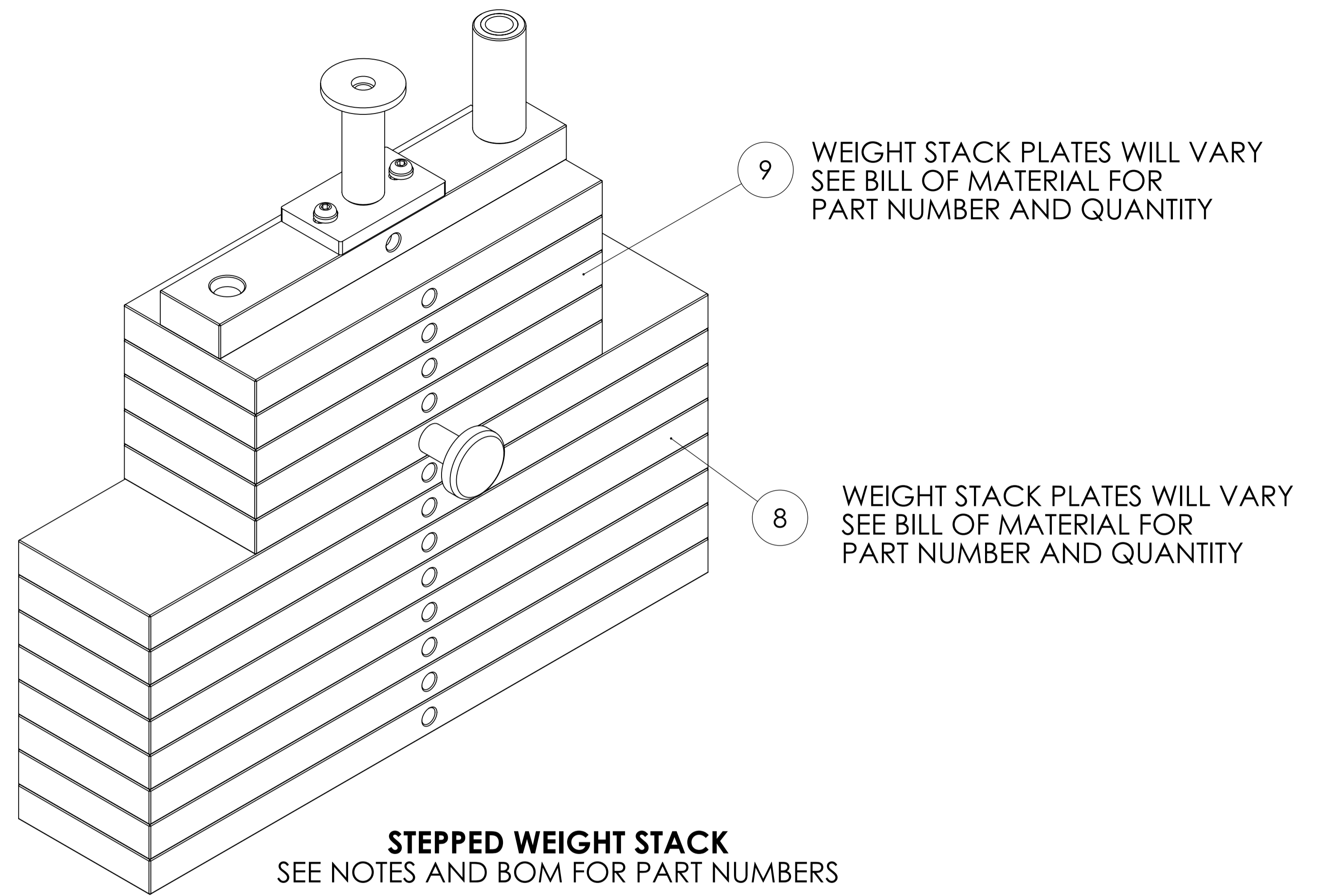
PULLEY ASSY;W.S. SINGLE LARGE

MATRIX

DWG NO.	
161-207 SERVICE	
DESCRIPTION:	
(Single Pulley- Strength)	
DRAWN BY:	LMB DATE: 2017.JAN.17
UPDATED BY:	-- DATE: --



**CENTER STICK WITH MOUNTING POST
CABLE MOUNTED WITH TAKE UP BOLT OR PULLEY
(SHOWN EXPLODED)
SEE NOTES AND BOM FOR PART NUMBERS**



MATRIX

DWG NO.		
_WEIGHT STACK SERVICE		
DESCRIPTION: WEIGHT STACK/CENTERSTICK ASSY (Take Up Bolt, Pulley & Clamp Style)		
DRAWN BY:	LMB	DATE: 2013.OCT.10
UPDATED BY:	LMB	DATE: 2017.DEC.29