

MATRIX

DWG NO.

160-257 SERVICE

DESCRIPTION:

900 SERIES TOWER CLAMP (SINGLE)
(Strength - Multi Station)

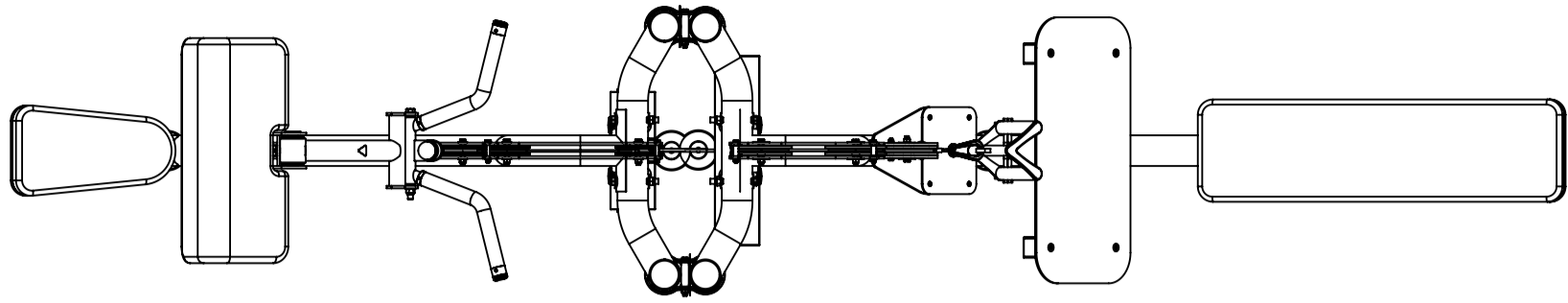
DRAWN BY: LMB

DATE: 2016.JAN.14

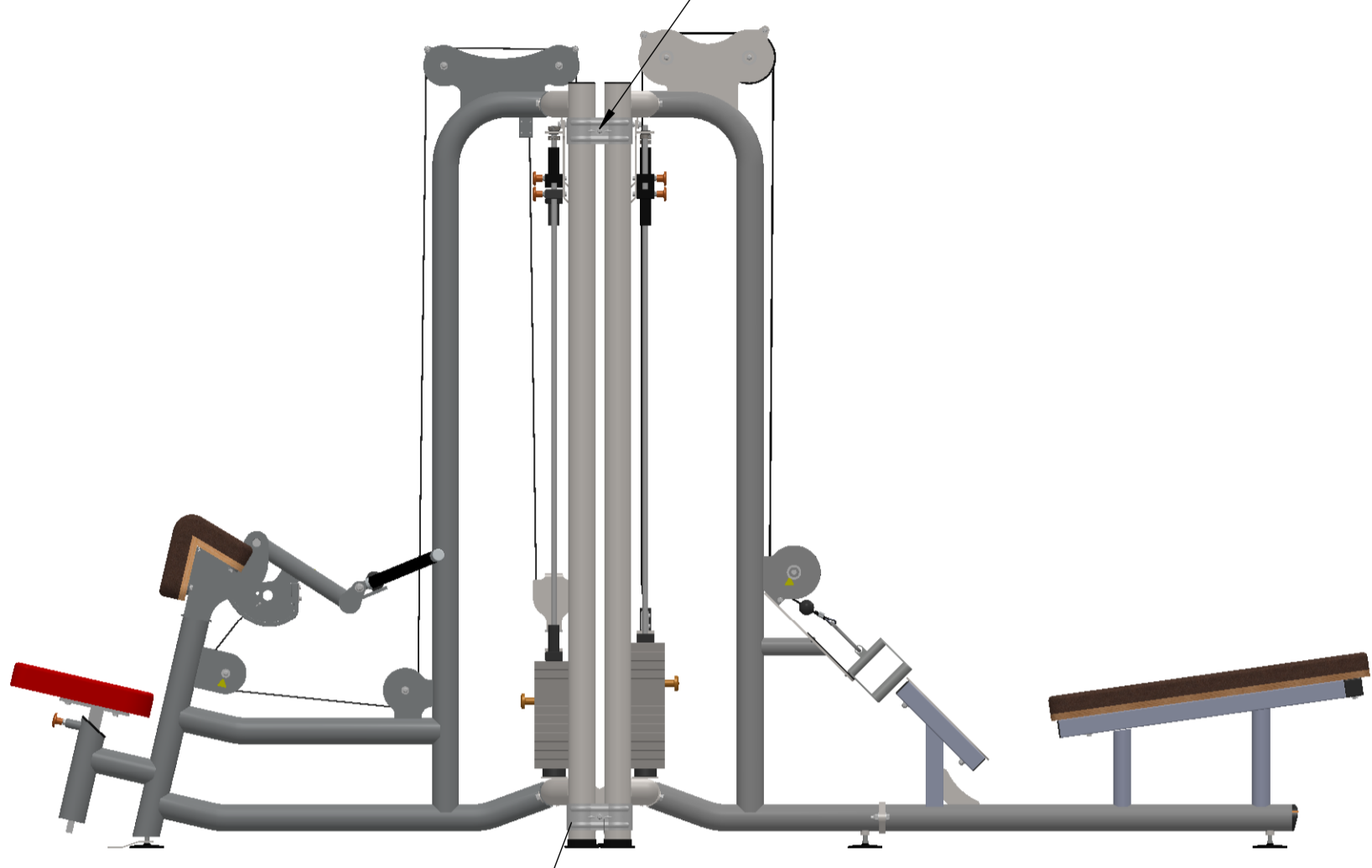
UPDATED BY: LMB

DATE: 2016.DEC.14

TOP VIEW

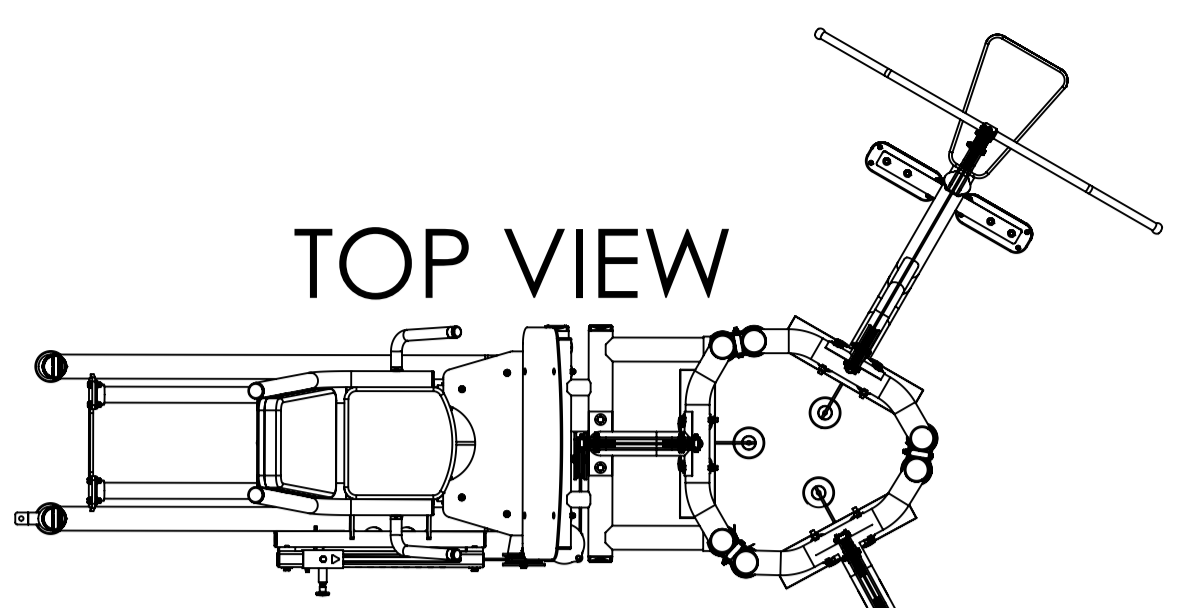


① 2X



TWO STACK

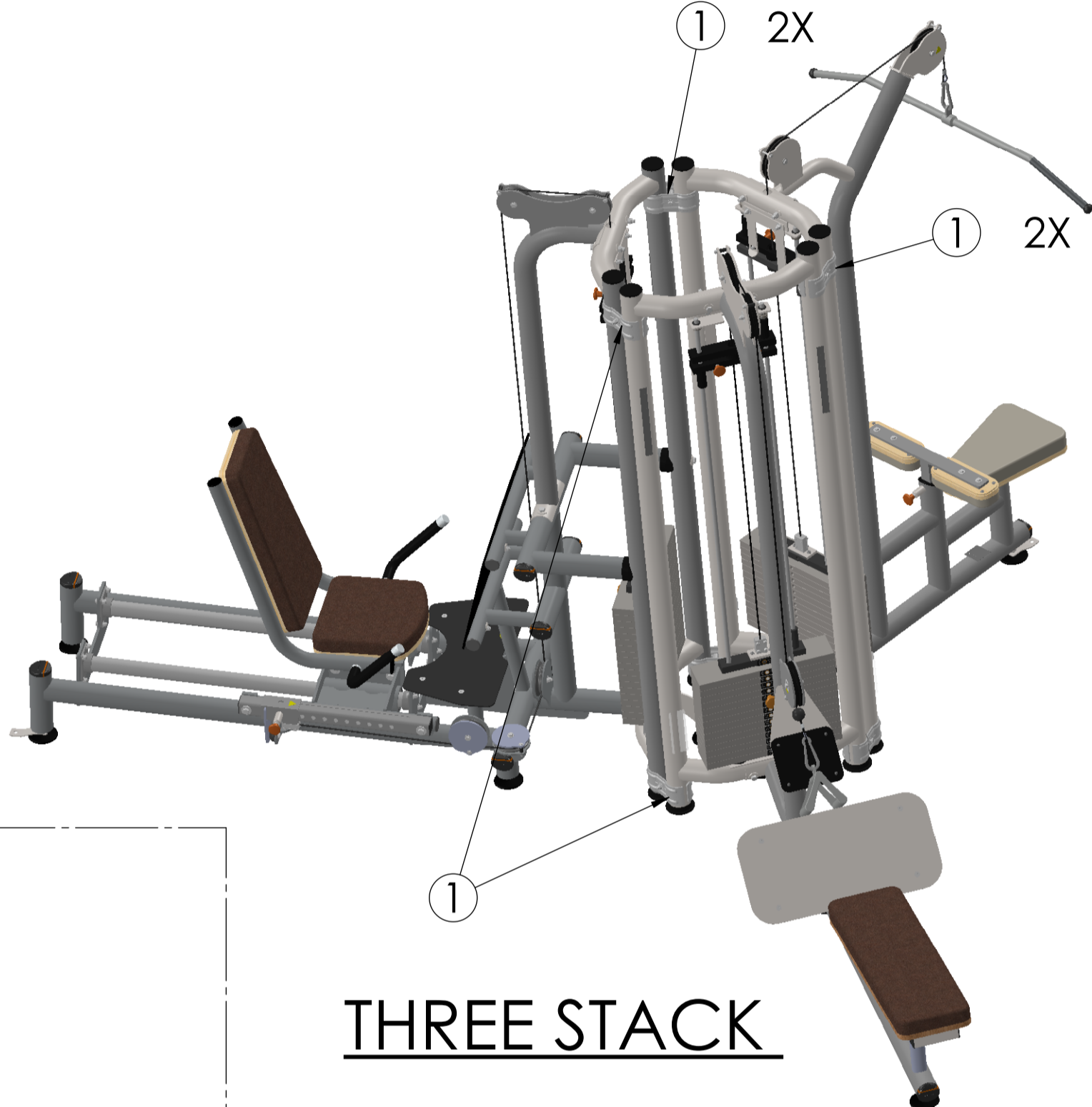
TOP VIEW



① 2X

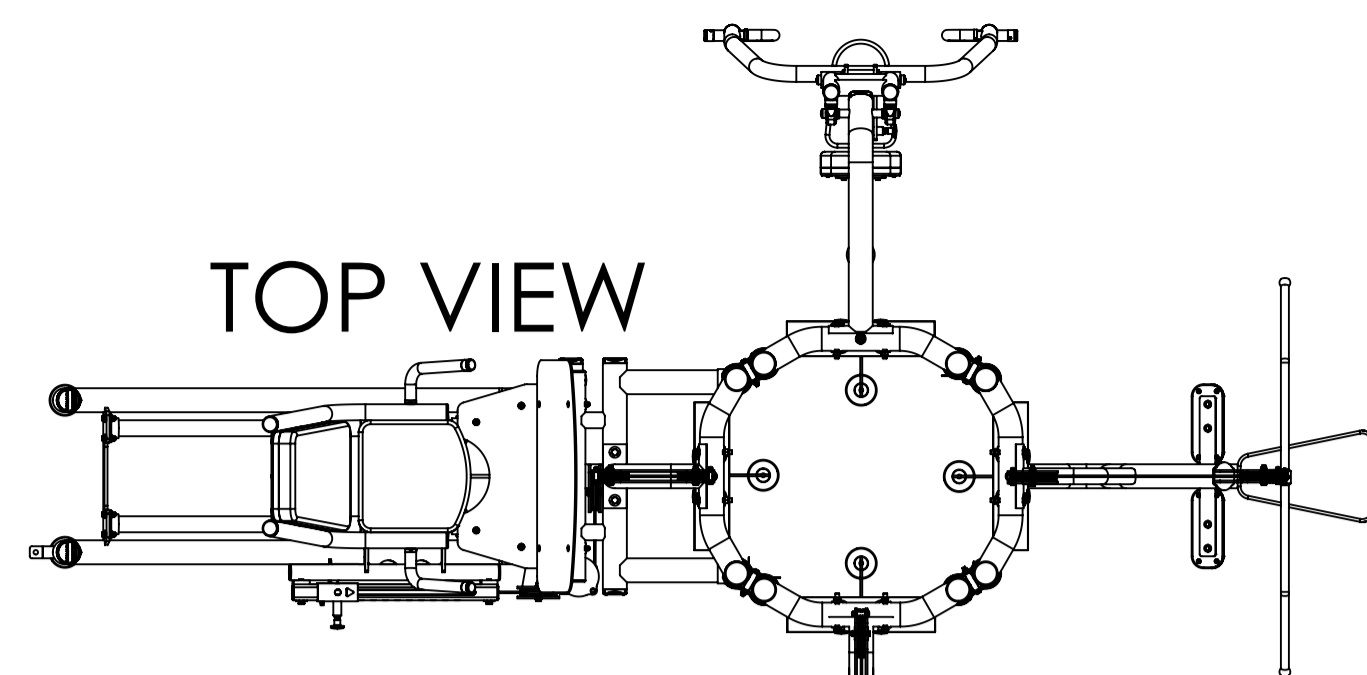
① 2X

①



THREE STACK

TOP VIEW

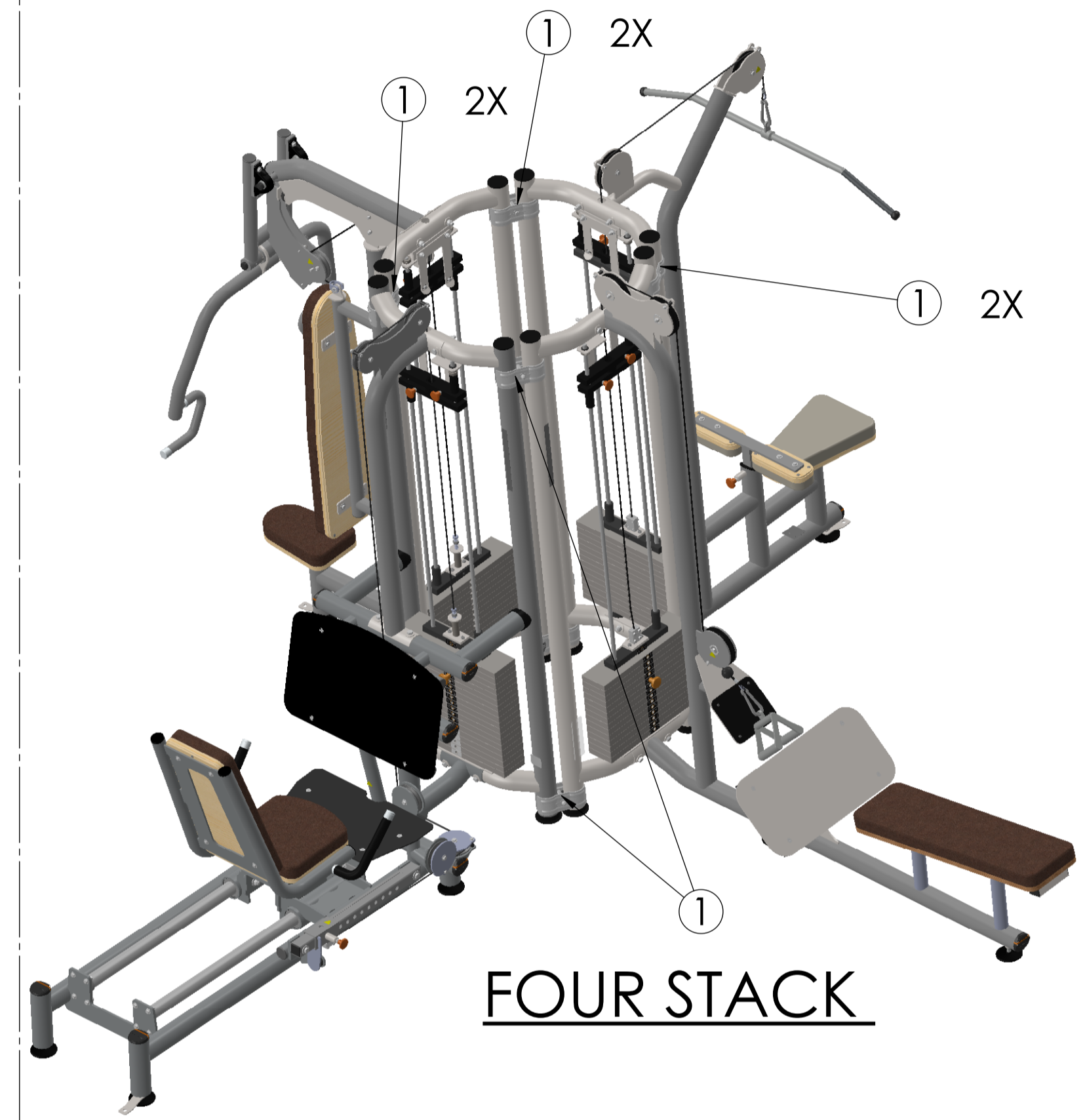


① 2X

① 2X

① 2X

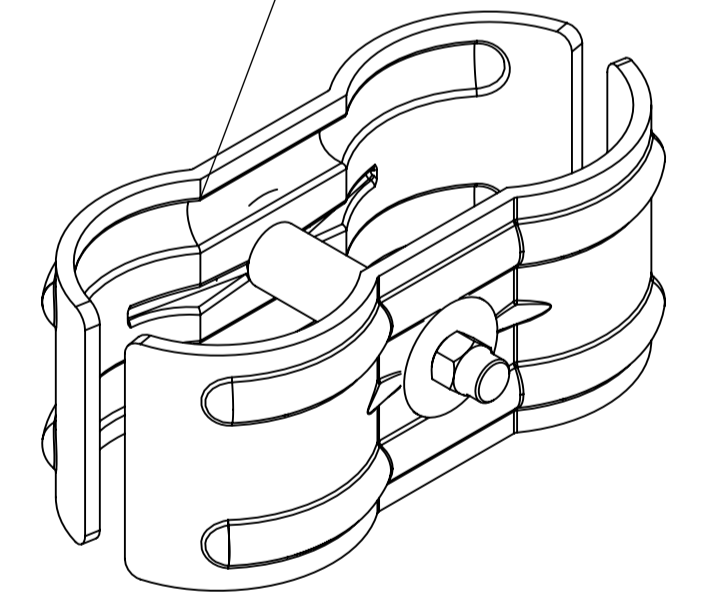
①



FOUR STACK

900 SERIES CLAMP (SINGLE)

EXPLODED VIEW SHOWN ON SHEET 1



NOTE: CLAMP QUANTITY REQUIRED FOR EACH CONFIGURATION WILL VARY, CONFIGURATIONS SHOWN HERE ARE FOR REFERENCE ONLY. REFER TO THE ASSEMBLY GUIDE FOR APPROVED CONFIGURATION LIST

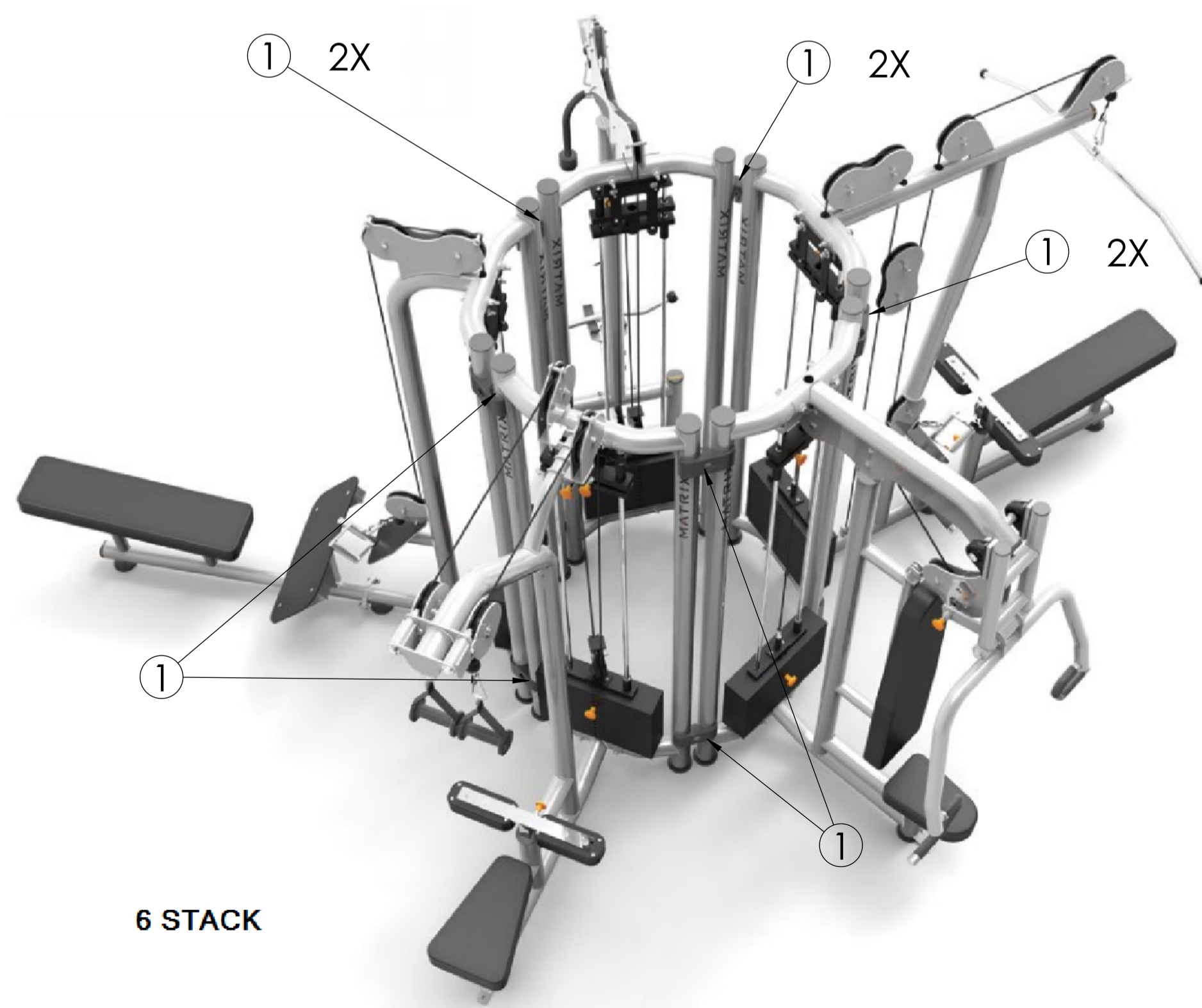
① 2X

① 2X

① 2X

①

①



6 STACK

MATRIX

DWG NO.	160-257 SERVICE	
DESCRIPTION:	COUPLER(CONFIGURATIONS) (Strength - Multi Station)	
DRAWN BY:	LMB	DATE: 2016.JAN.14
UPDATED BY:	LMB	DATE: 2016.DEC.14