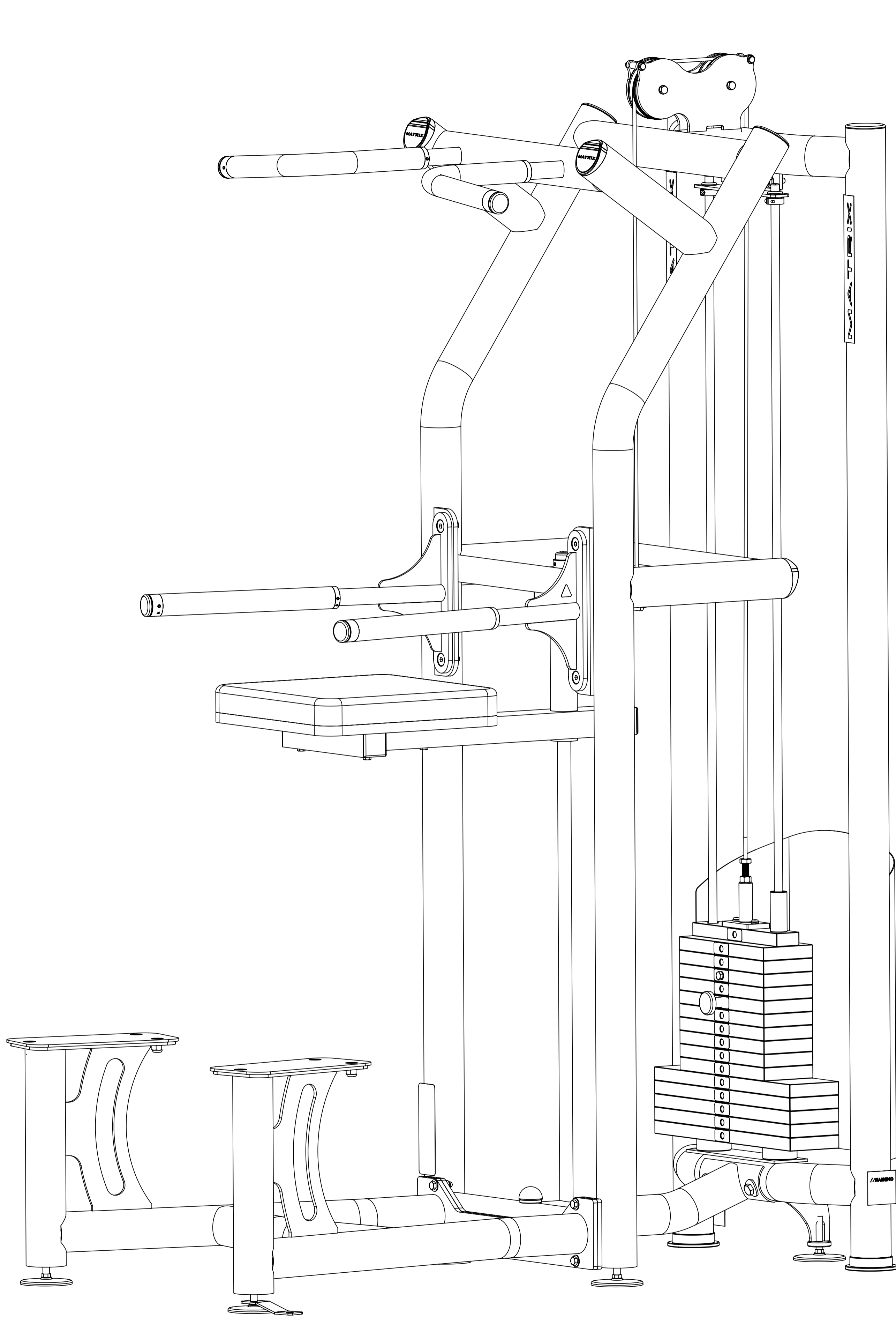


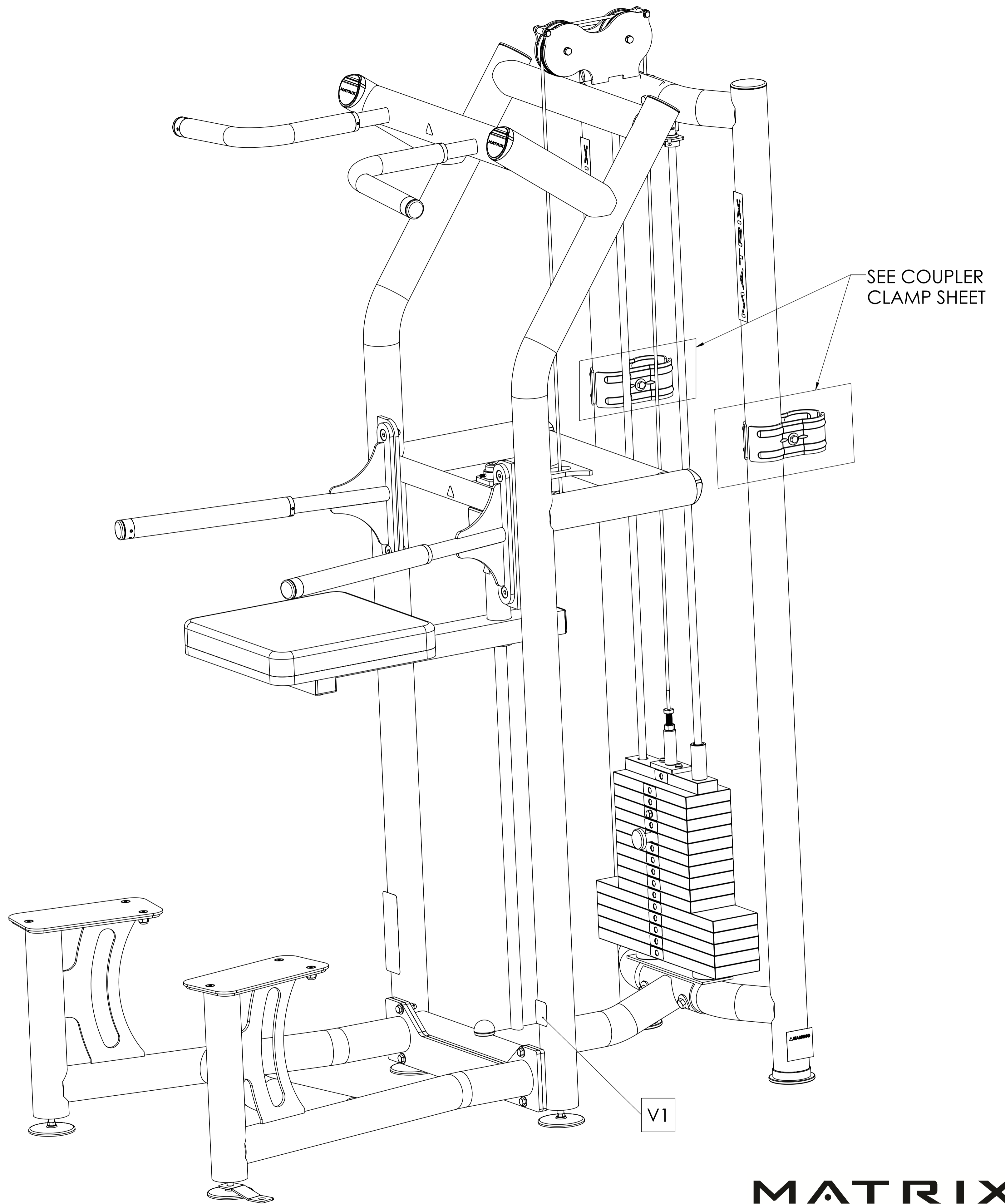
SEE WEIGHT STACK SHEET

MATRIX

DWG NO.		937-06 & FS937-06 SERVICE	
DESCRIPTION:		Chin/Dip (Strength - Multi Station)	
DRAWN BY:	LMB	DATE:	2018.JAN.22
UPDATED BY:	LG	DATE:	2019.SEP.06



FS937-06
(EXPLODED VIEW ON SHEET 1)



937-06
(REQUIRES COUPLER CLAMPS)

MATRIX

DWG NO.

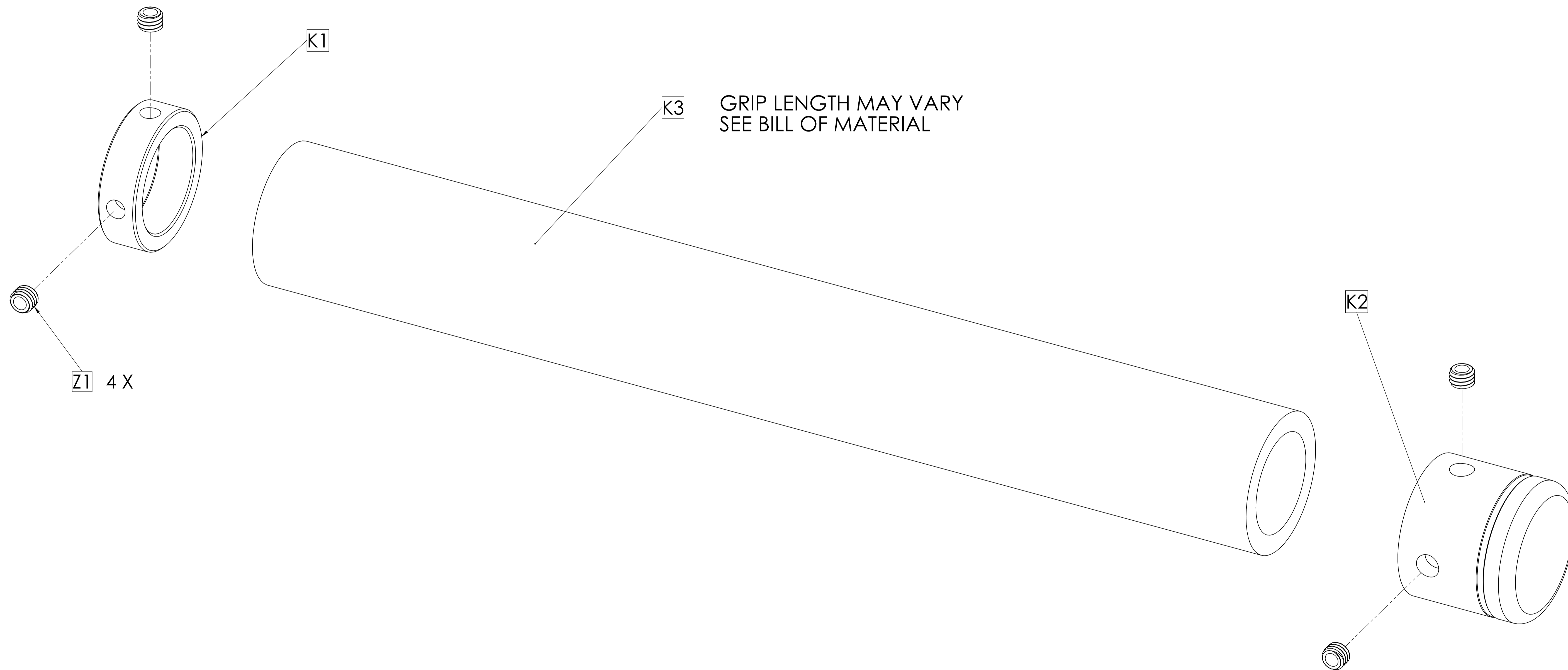
937-06 & FS937-06 SERVICE

DESCRIPTION:

Chin/Dip
(Strength - Multi Station)

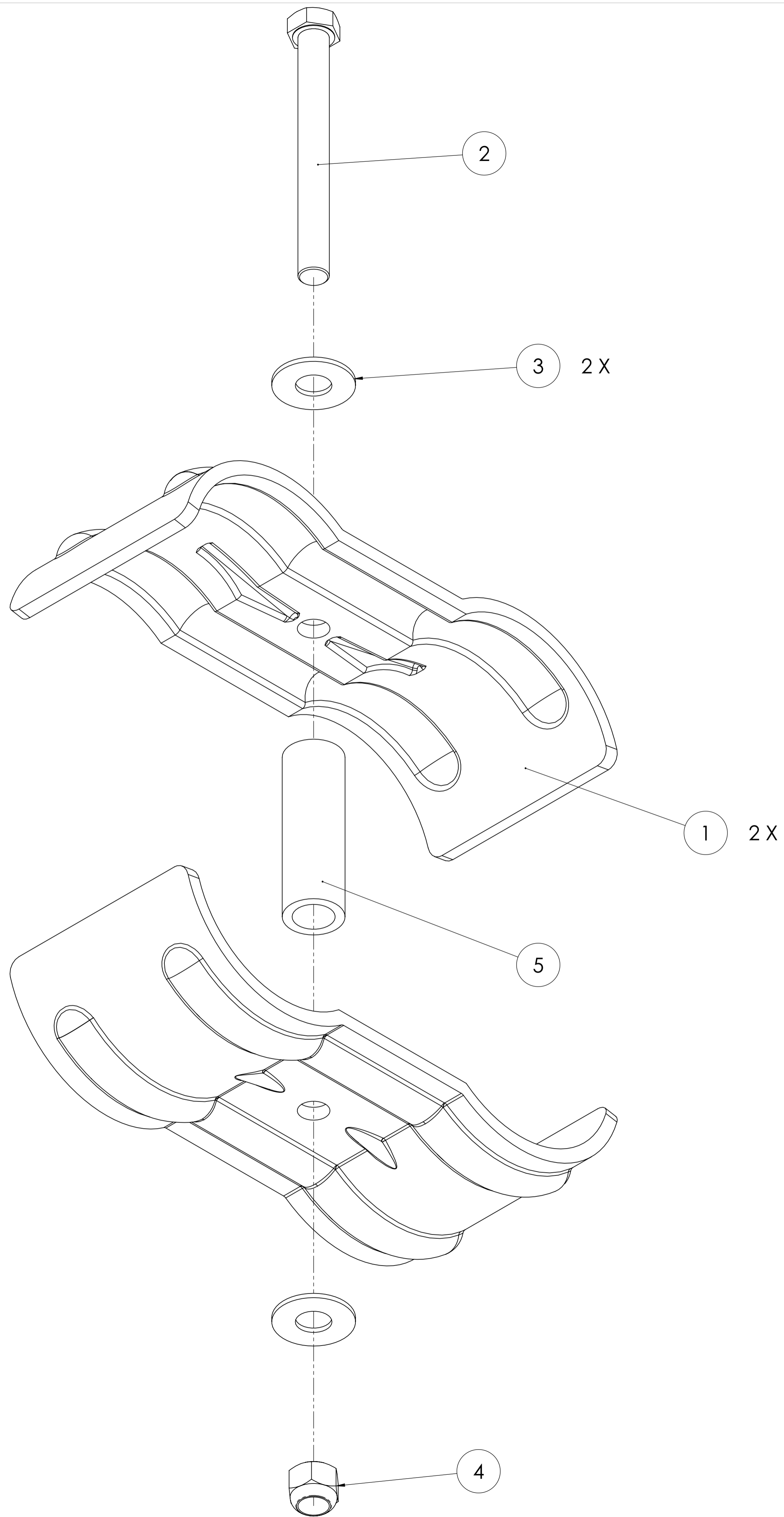
DRAWN BY: LMB DATE: 2018.JAN.22

UPDATED BY: LG DATE: 2019.SEP.06



MATRIX

DWG NO: 160-056,160-057,160-058,160-059			
SERVICE			
DESCRIPTION: HAND GRIP (RUBBER GRIP TUBE)			
DRAWN BY:	LMB	DATE:	2013.OCT.07
UPDATED BY:	LMB	DATE:	2015.JUN.05



MATRIX

DWG NO.

160-257 SERVICE

DESCRIPTION:

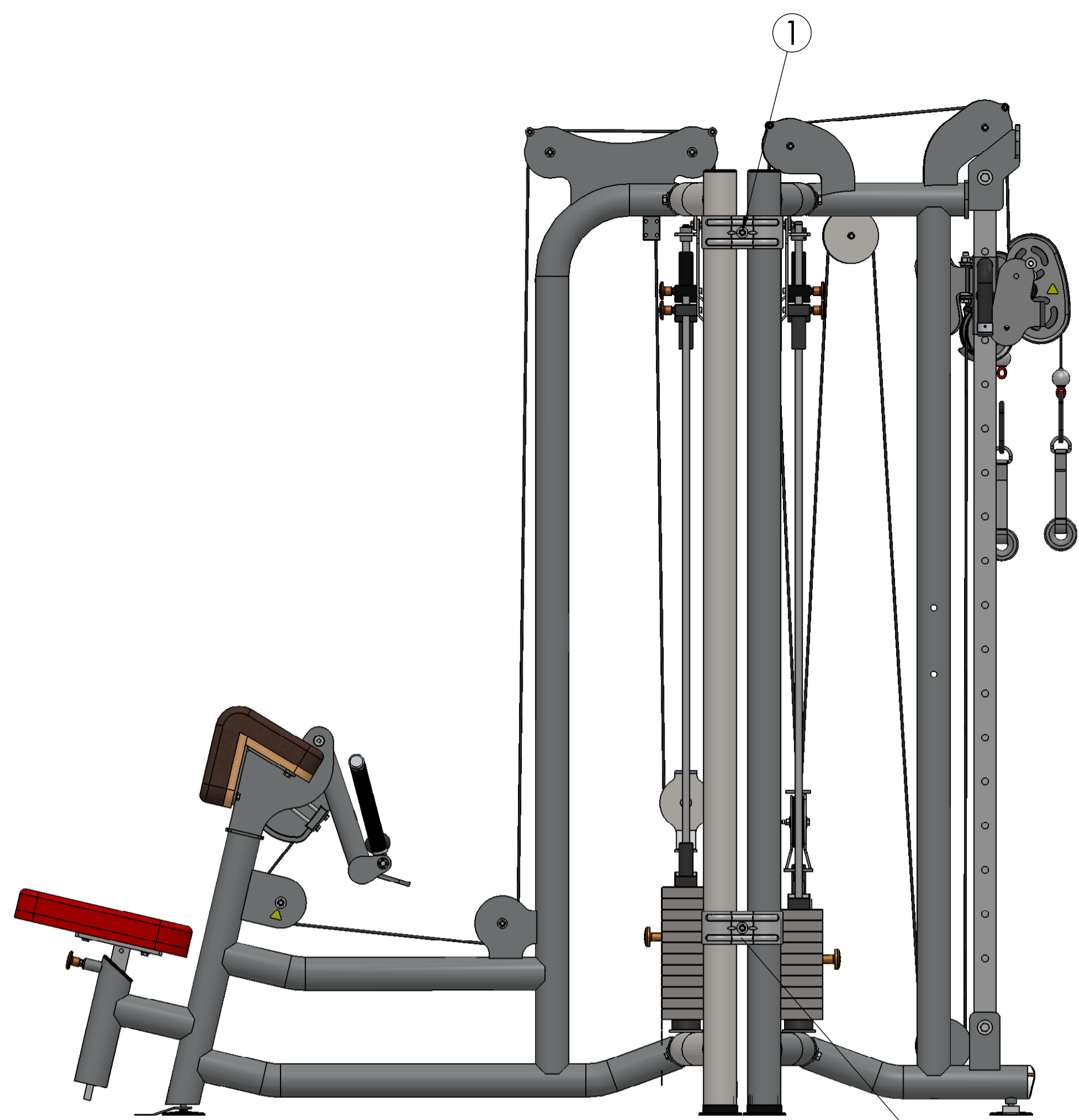
900 SERIES TOWER CLAMP (SINGLE)
(Strength - Multi Station)

DRAWN BY: LMB

DATE: 2016.JAN.14

UPDATED BY:

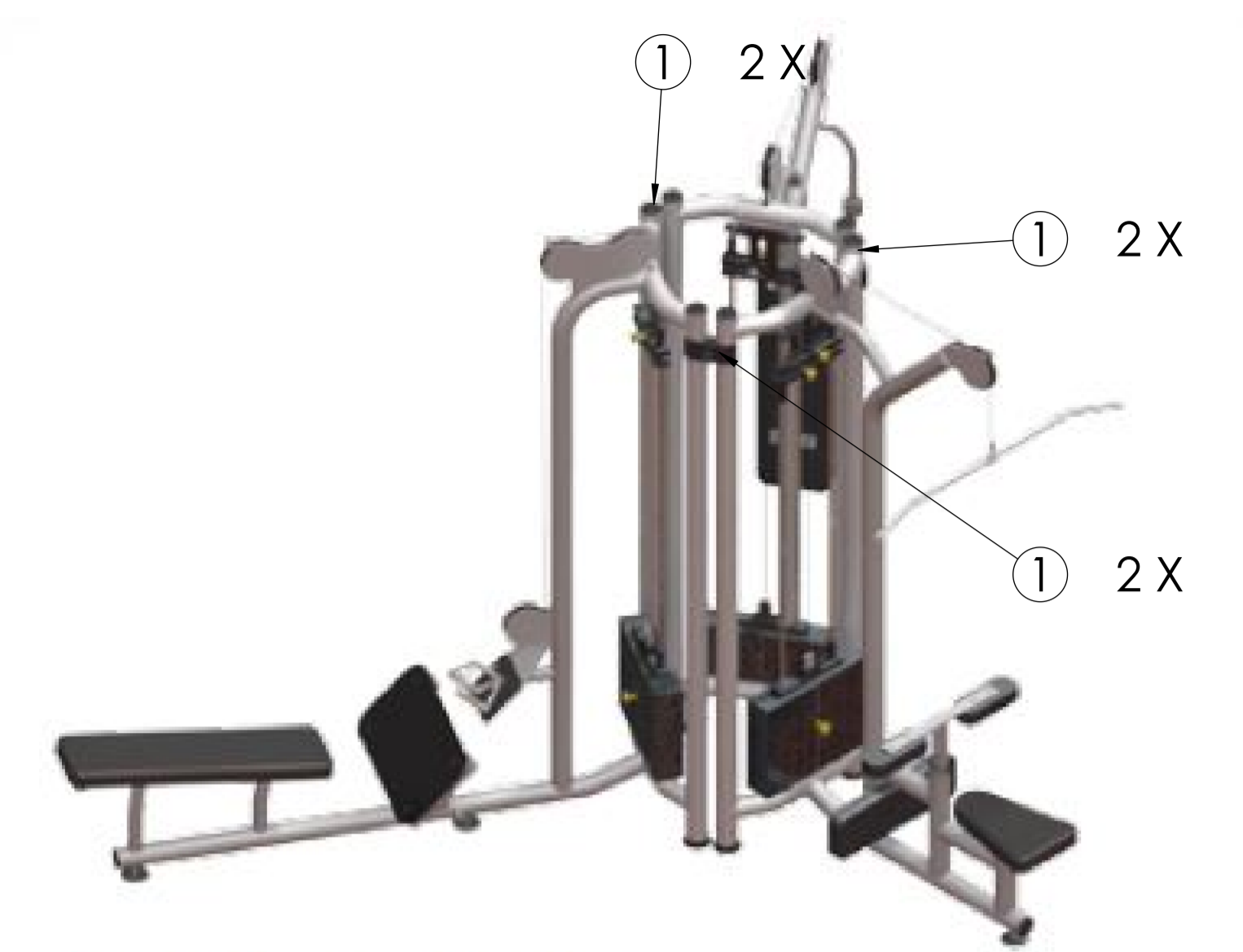
DATE:



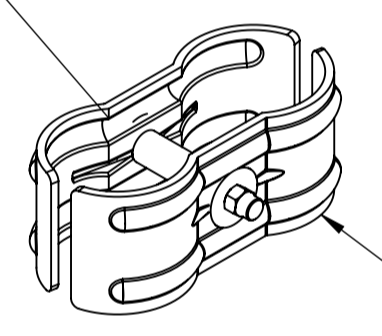
TWO STACK



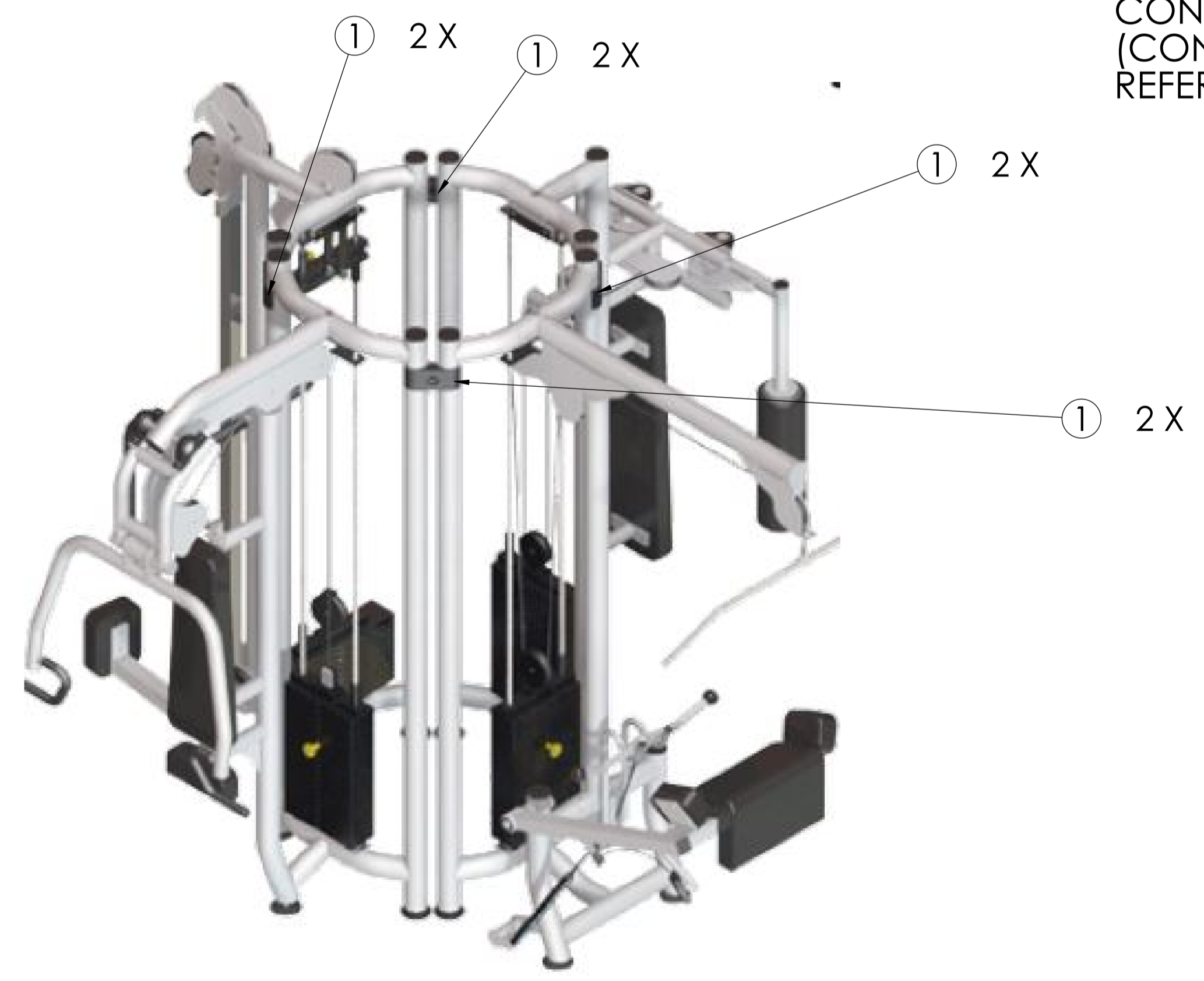
TWO STACK



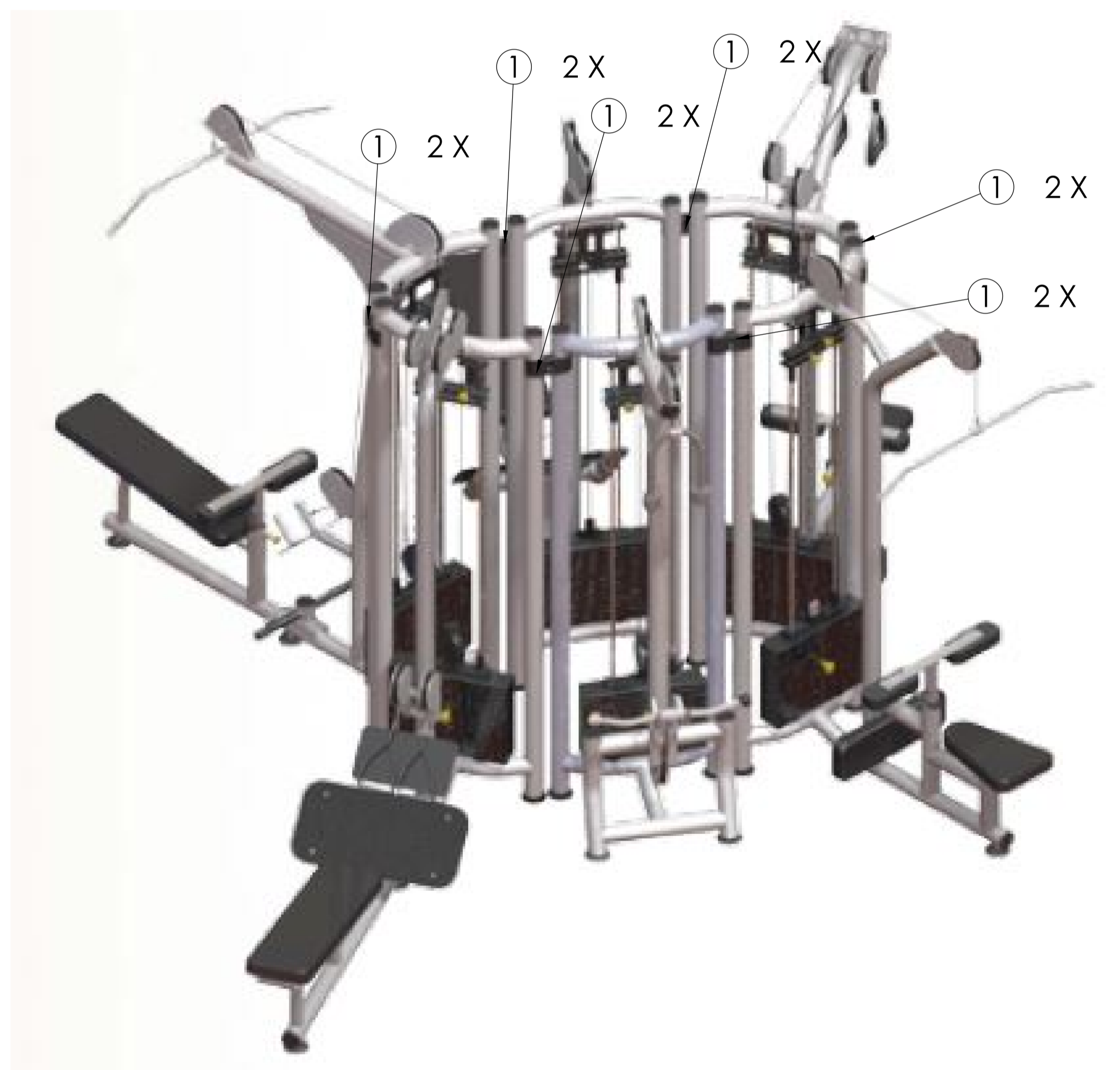
THREE STACK



EXPLODED VIEW SHOWN ON SHEET 1
 NOTE: QUANTITY REQUIRED FOR EACH CONFIGURATION WILL VARY
 (CONFIGURATIONS SHOWN ARE FOR REFERENCE ONLY)



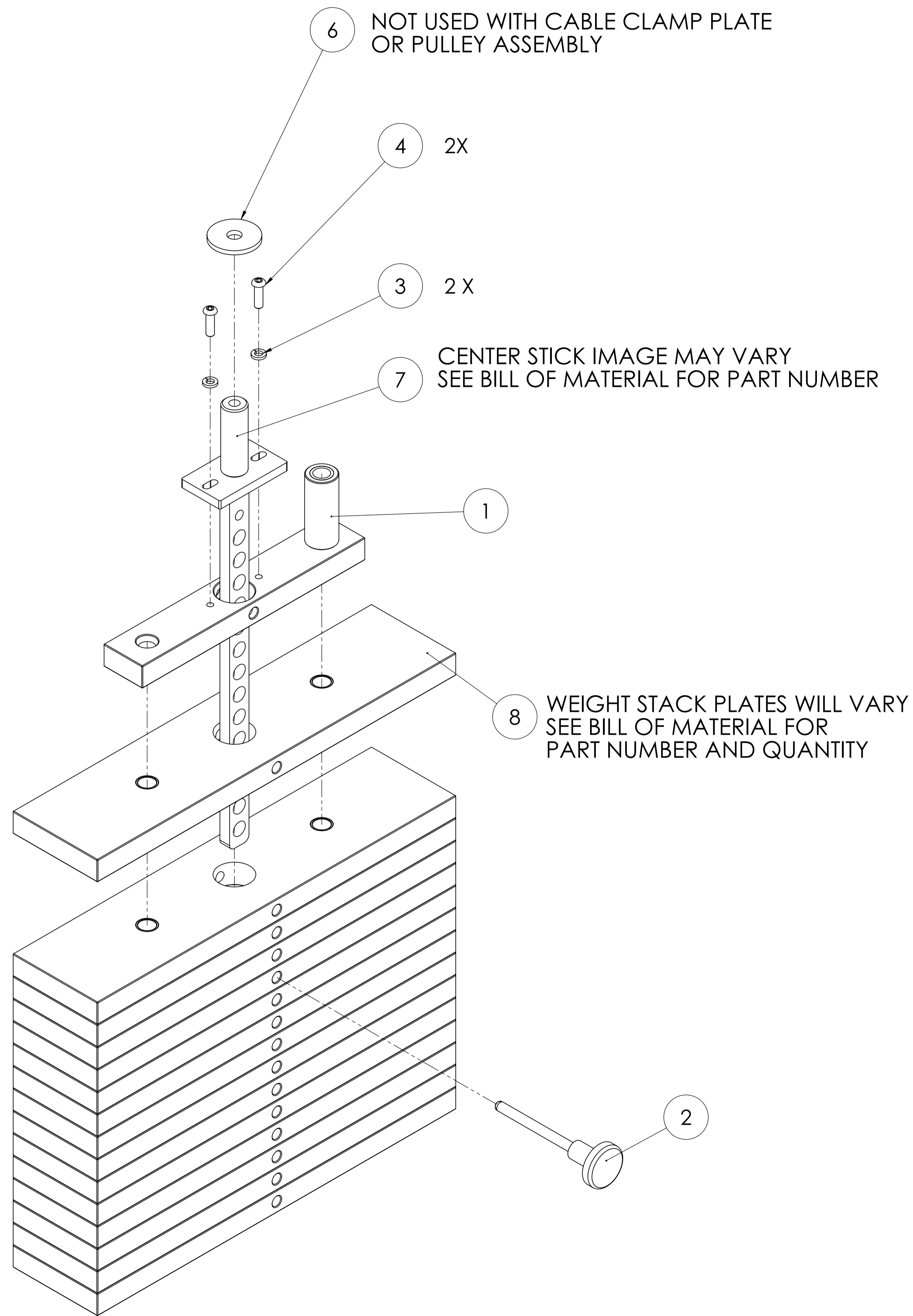
FOUR STACK



SIX STACK

MATRIX

DWG NO.		160-257 SERVICE	
DESCRIPTION:		COUPLER(CONFIGURATIONS) (Strength - Multi Station)	
DRAWN BY:	LMB	DATE:	2016.JAN.14
UPDATED BY:		DATE:	



**CENTER STICK WITH MOUNTING POST
CABLE MOUNTED WITH TAKE UP BOLT OR PULLEY
(SHOWN EXPLODED)
SEE NOTES AND BOM FOR PART NUMBERS**

6 NOT USED WITH CABLE CLAMP PLATE
OR PULLEY ASSEMBLY

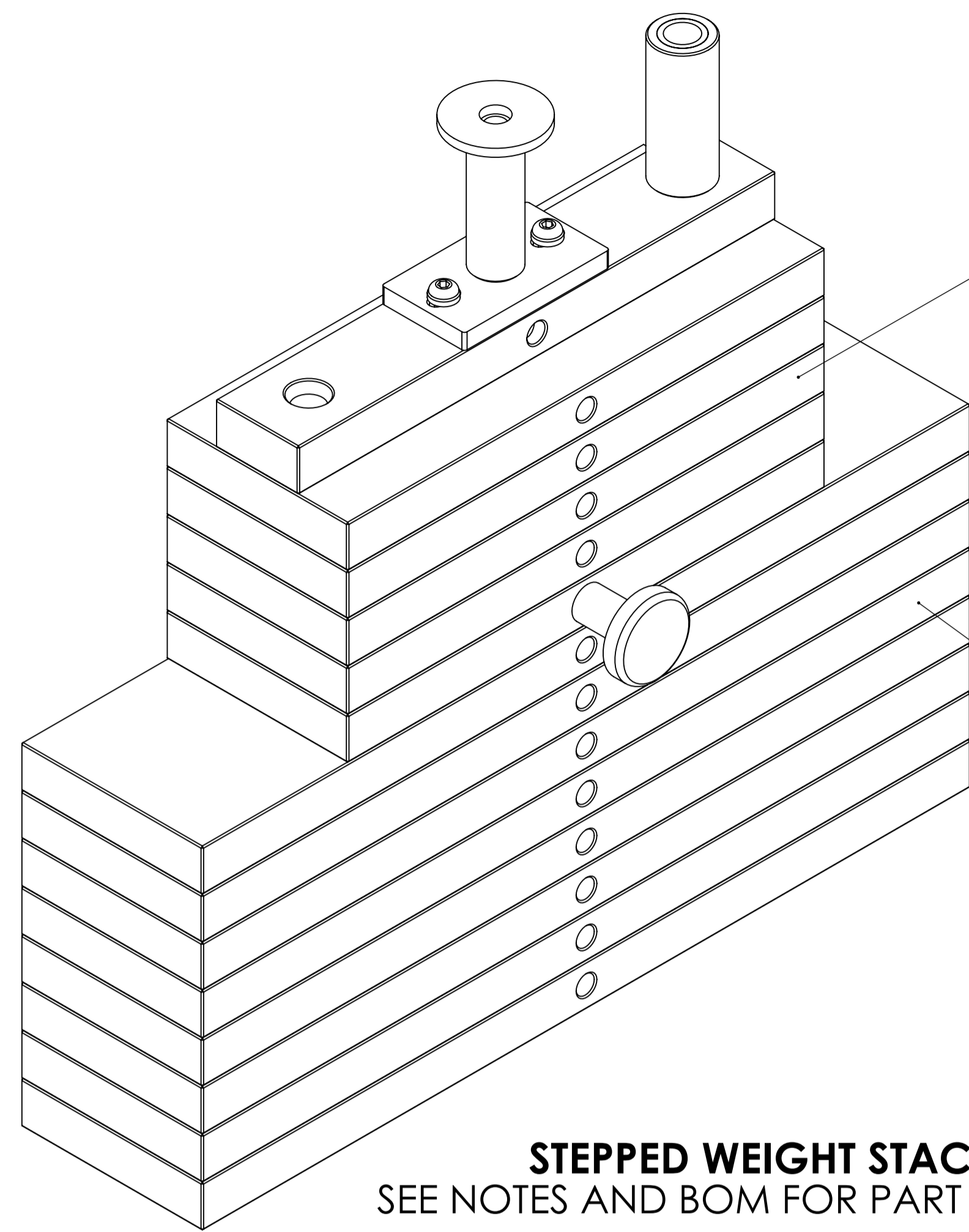
4 2X

3 2X

7 CENTER STICK IMAGE MAY VARY
SEE BILL OF MATERIAL FOR PART NUMBER

8 WEIGHT STACK PLATES WILL VARY
SEE BILL OF MATERIAL FOR
PART NUMBER AND QUANTITY

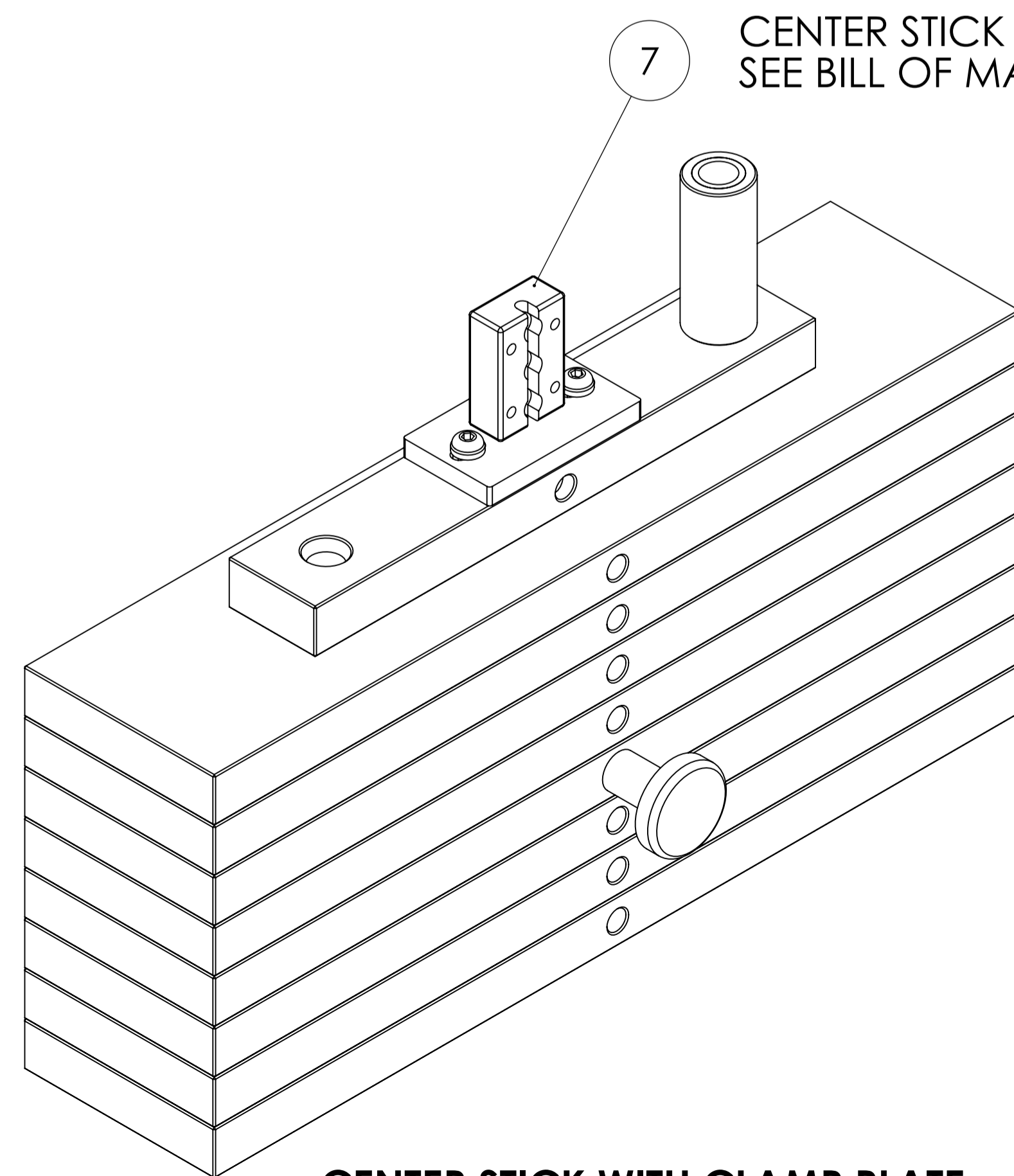
2



**STEPPED WEIGHT STACK
SEE NOTES AND BOM FOR PART NUMBERS**

9 WEIGHT STACK PLATES WILL VARY
SEE BILL OF MATERIAL FOR
PART NUMBER AND QUANTITY

8 WEIGHT STACK PLATES WILL VARY
SEE BILL OF MATERIAL FOR
PART NUMBER AND QUANTITY



**CENTER STICK WITH CLAMP PLATE
SEE NOTES AND BOM FOR PART NUMBERS**

7 CENTER STICK W/CLAMP PLATE
SEE BILL OF MATERIAL FOR PART NUMBER

MATRIX

DWG NO.		
_WEIGHT STACK SERVICE		
DESCRIPTION: WEIGHT STACK/CENTERSTICK ASSY (Take Up Bolt, Pulley & Clamp Style)		
DRAWN BY:	LMB	DATE: 2013.OCT.10
UPDATED BY:	LMB	DATE: 2017.DEC.29