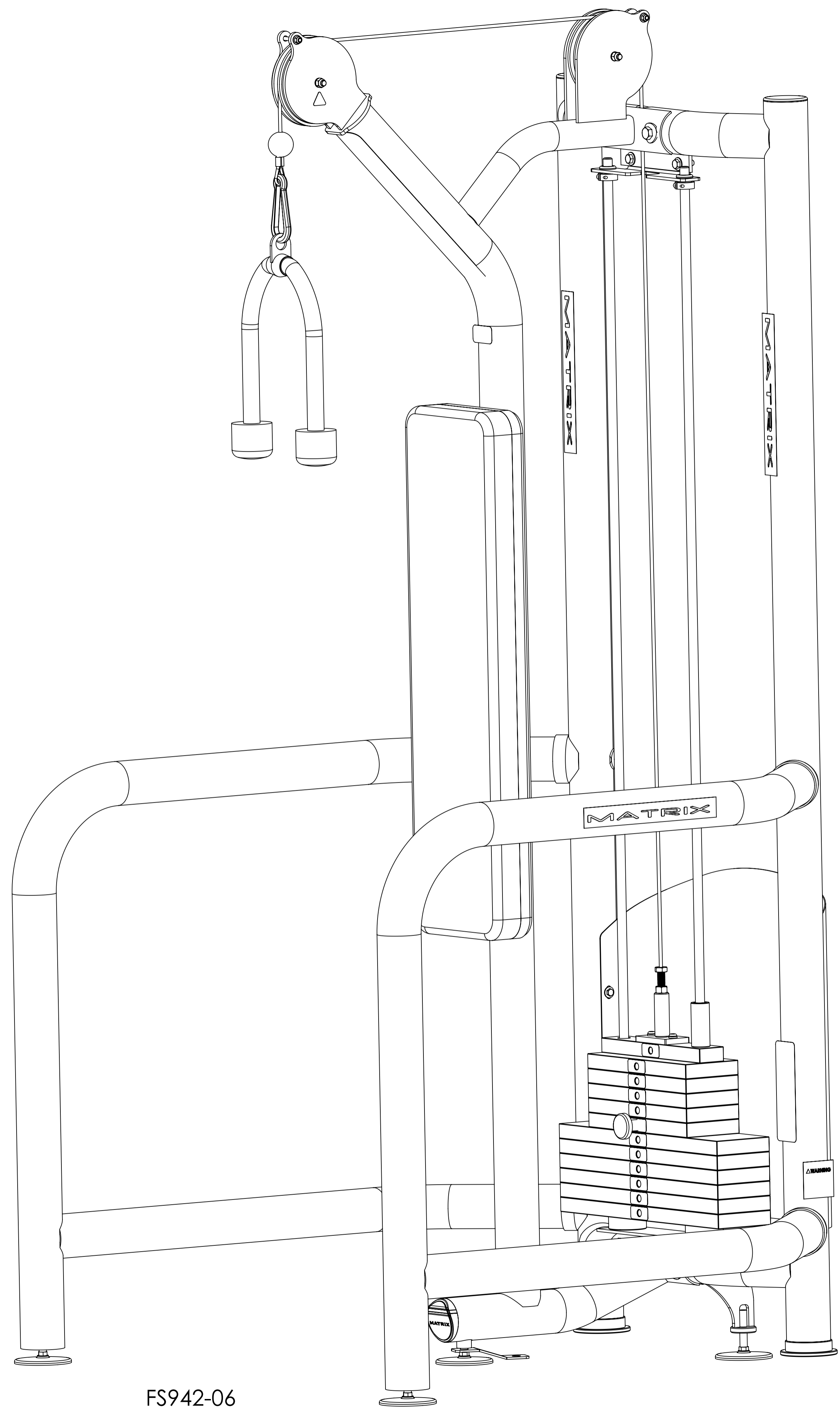


SEE 900 TOWER SERIES  
FREE STANDING  
(SIDE SET) SHEET

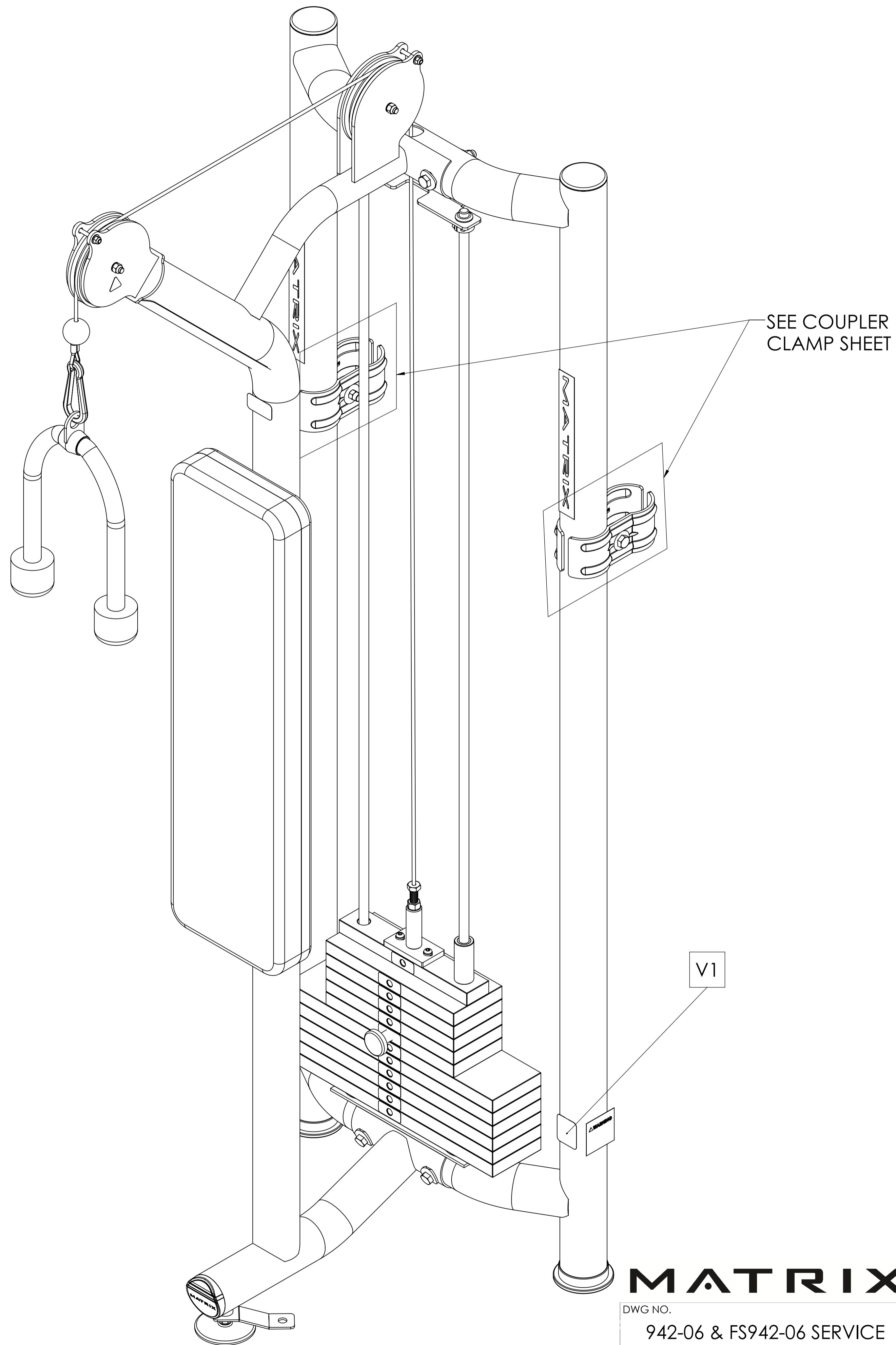
SEE WEIGHT  
STACK SHEET

**MATRIX**

DWG NO.		942-06 & FS942-06 SERVICE	
DESCRIPTION:		TRICEPS PUSHDOWN (Strength Multi-Station)	
DRAWN BY:	LMB	DATE:	2018.JAN.22
UPDATED BY:	LG	DATE:	2019.SEP.06



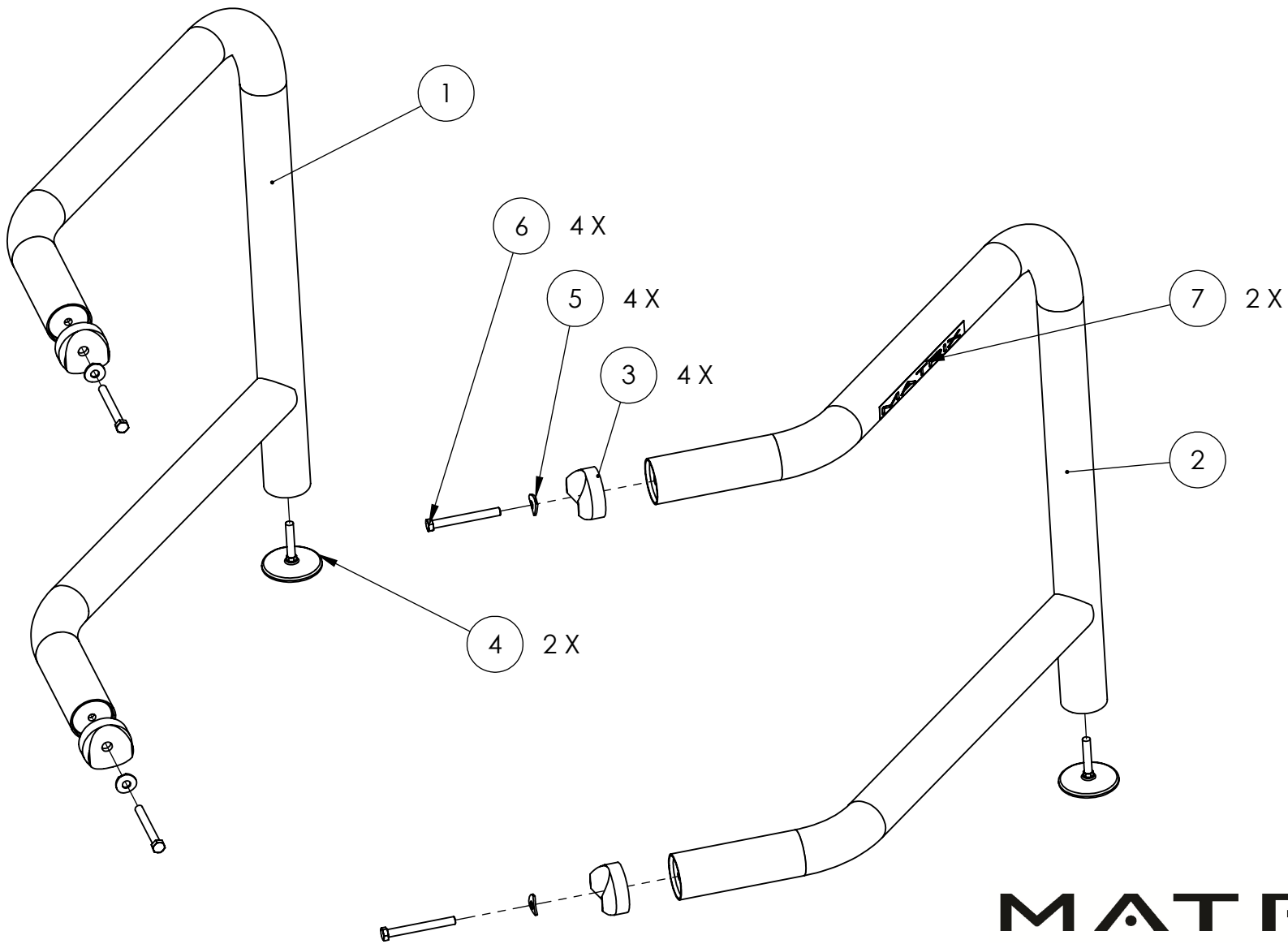
FS942-06  
(EXPLODED VIEW ON SHEET 1)



942-06  
(REQUIRES COUPLER CLAMPS)

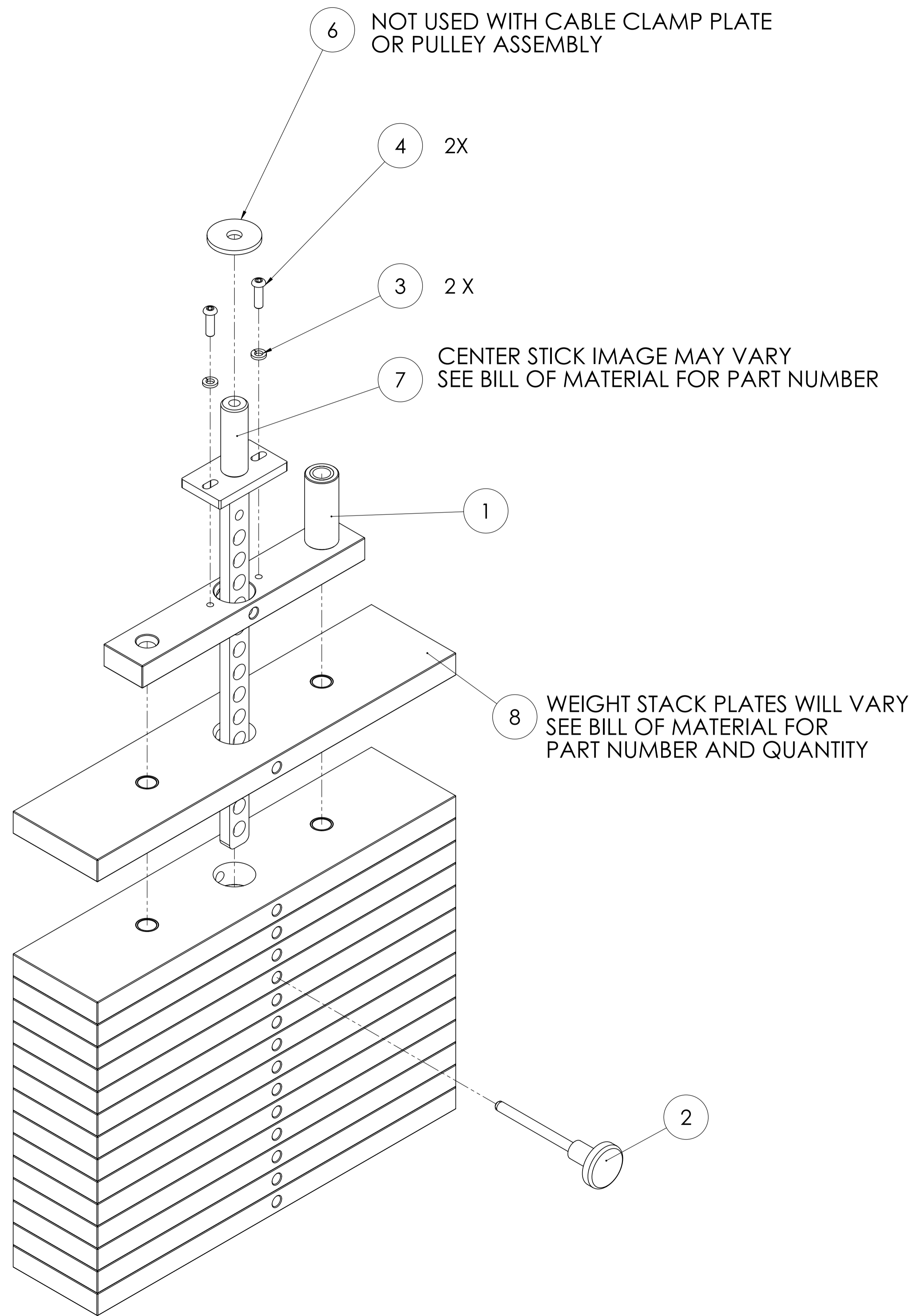
**MATRIX**

DWG NO.		942-06 & FS942-06 SERVICE	
DESCRIPTION:		TRICEPS PUSHDOWN (Strength Multi-Station)	
DRAWN BY:	LMB	DATE:	2018.JAN.22
UPDATED BY:	LG	DATE:	2019.SEP.06

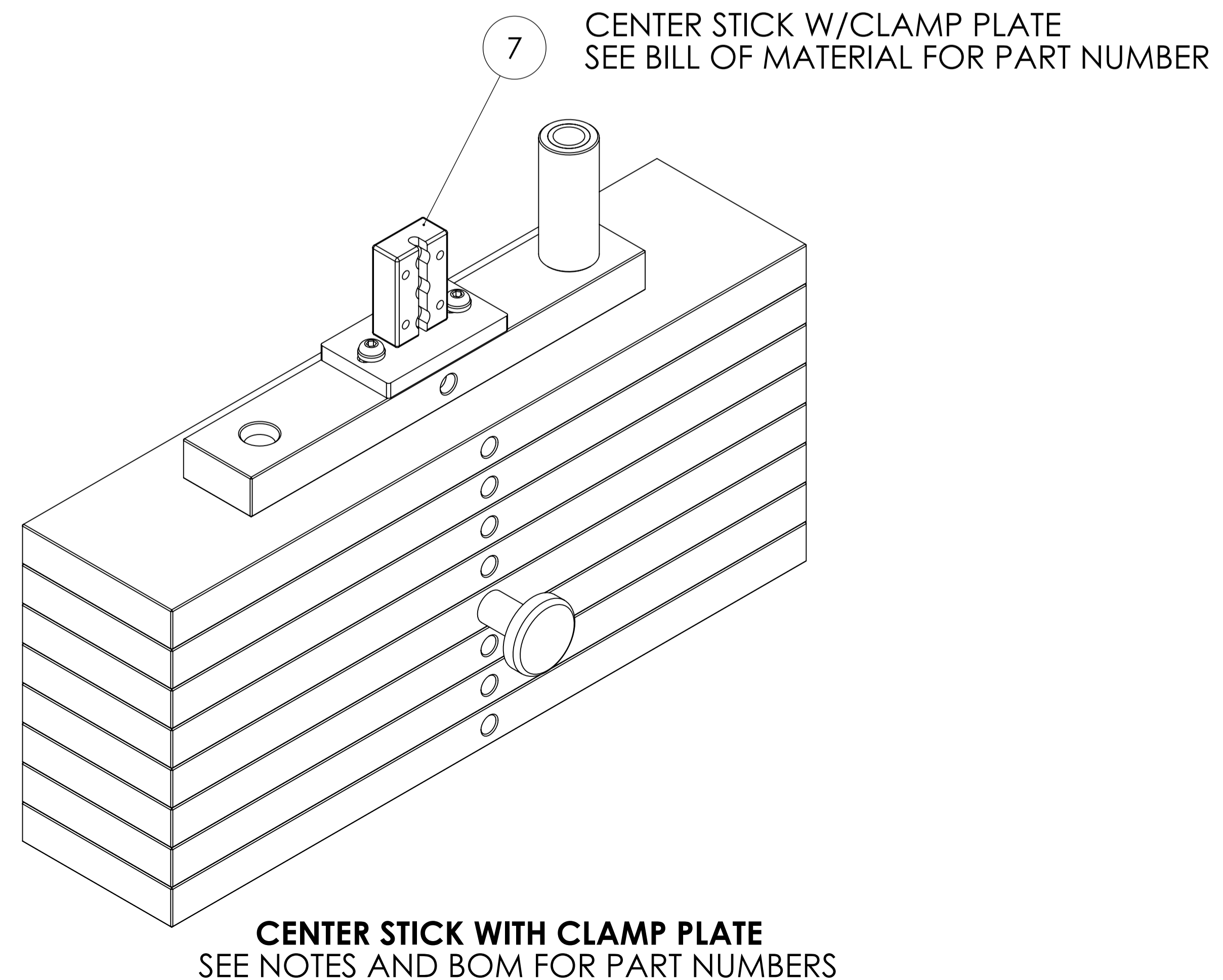
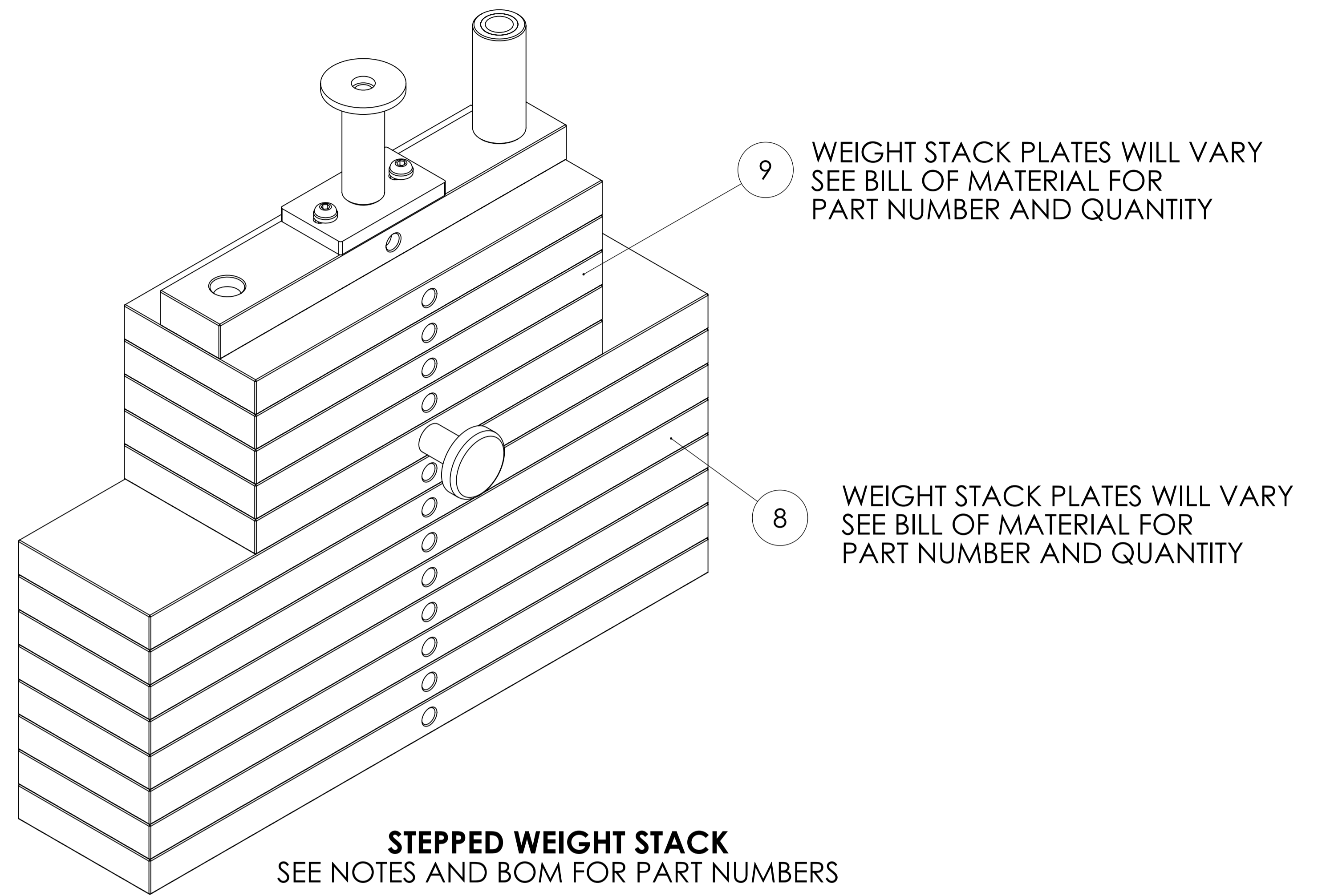


# MATRIX

DWG. NO.		160-122 SERVICE	
DESCRIPTION: 900 TOWER SERIES FREE STANDING (SIDES)			
DRAWN:	LMB	DATE	13.08.06
UPDATED:	--	DATE	--



**CENTER STICK WITH MOUNTING POST  
CABLE MOUNTED WITH TAKE UP BOLT OR PULLEY  
(SHOWN EXPLODED)  
SEE NOTES AND BOM FOR PART NUMBERS**



**MATRIX**

DWG NO.		
_WEIGHT STACK SERVICE		
DESCRIPTION: WEIGHT STACK/CENTERSTICK ASSY (Take Up Bolt, Pulley & Clamp Style)		
DRAWN BY:	LMB	DATE: 2013.OCT.10
UPDATED BY:	LMB	DATE: 2017.DEC.29