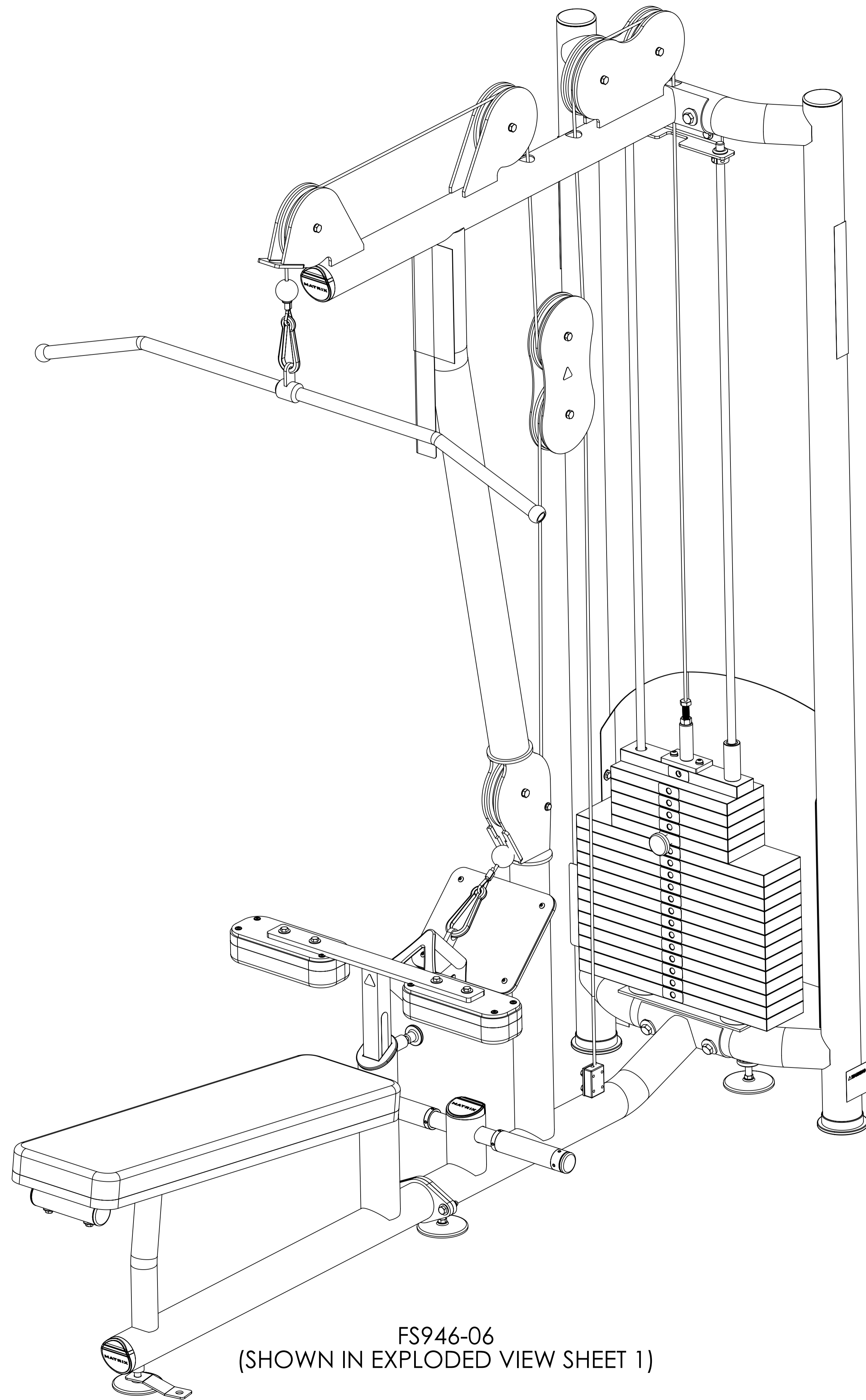
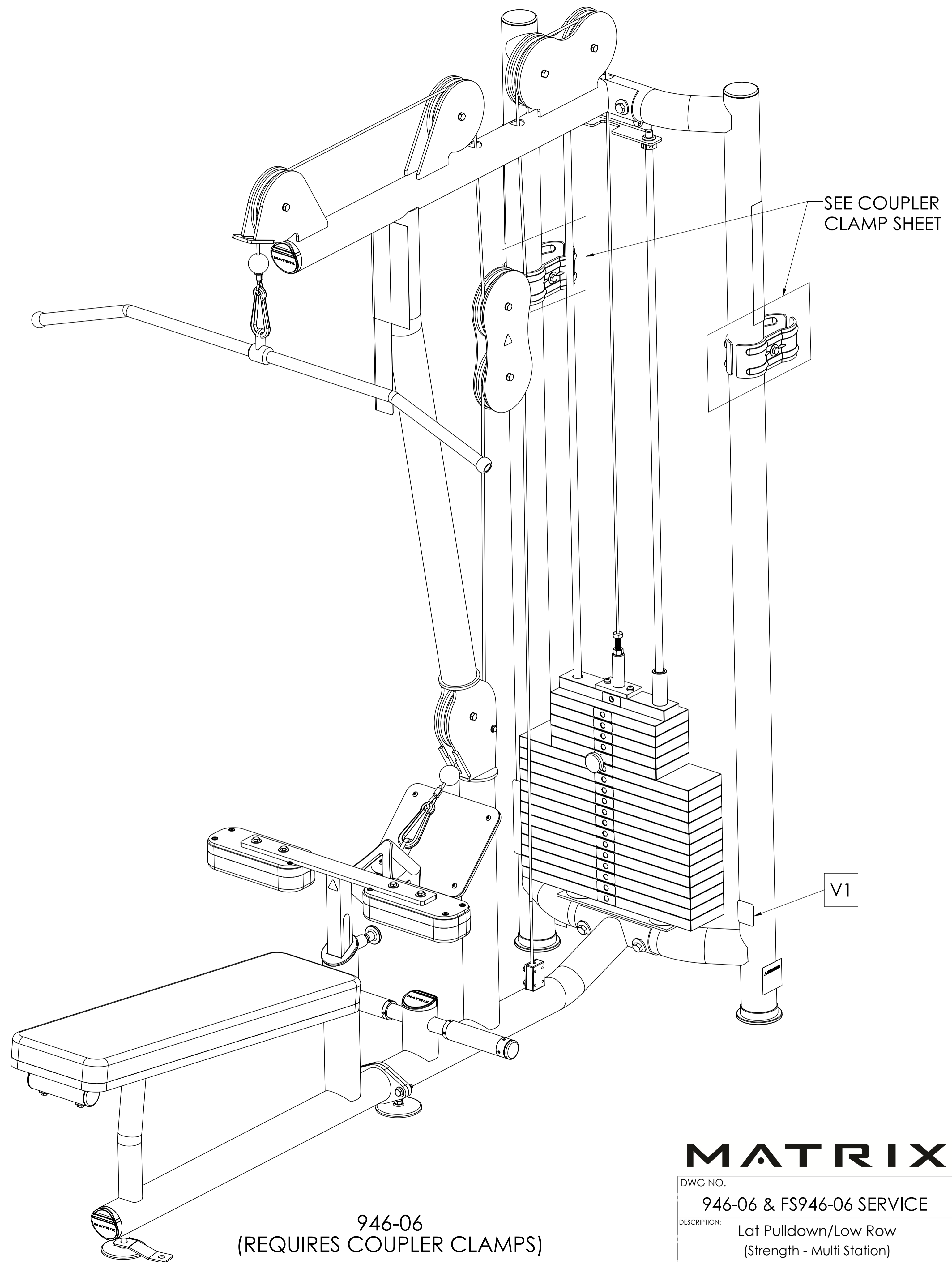


MATRIX

DWG NO.		946-06 & FS946-06 SERVICE	
DESCRIPTION:		Lat Pulldown/Low Row (Strength - Multi Station)	
DRAWN BY:	LMB	DATE:	2018.JAN.08
UPDATED BY:	LG	DATE:	2019.SEP.06



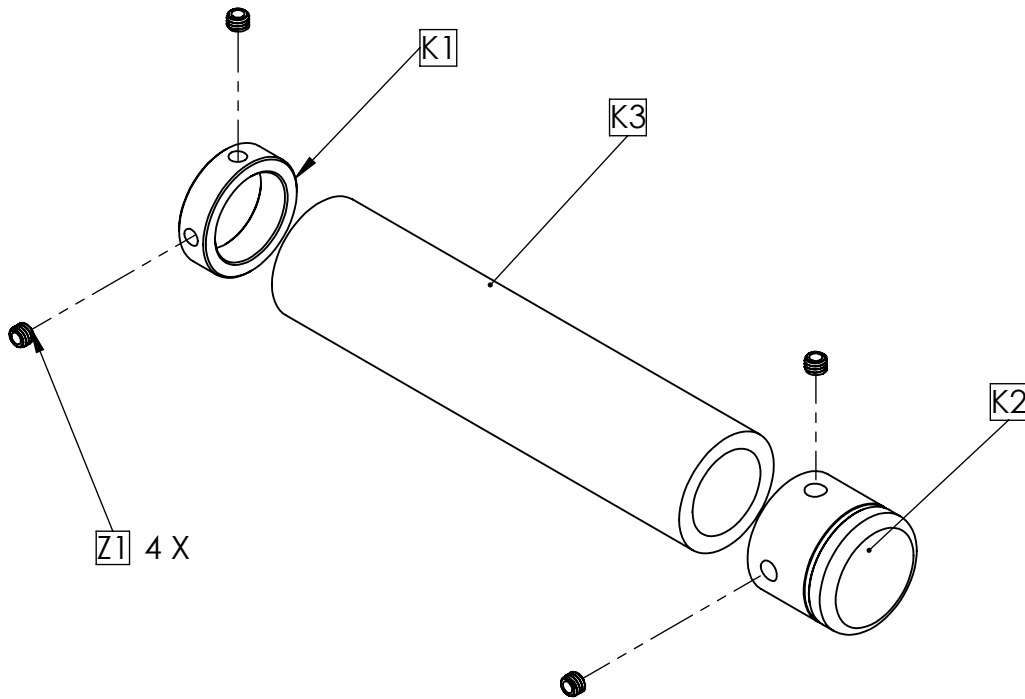
FS946-06
(SHOWN IN EXPLODED VIEW SHEET 1)



946-06
(REQUIRES COUPLER CLAMPS)

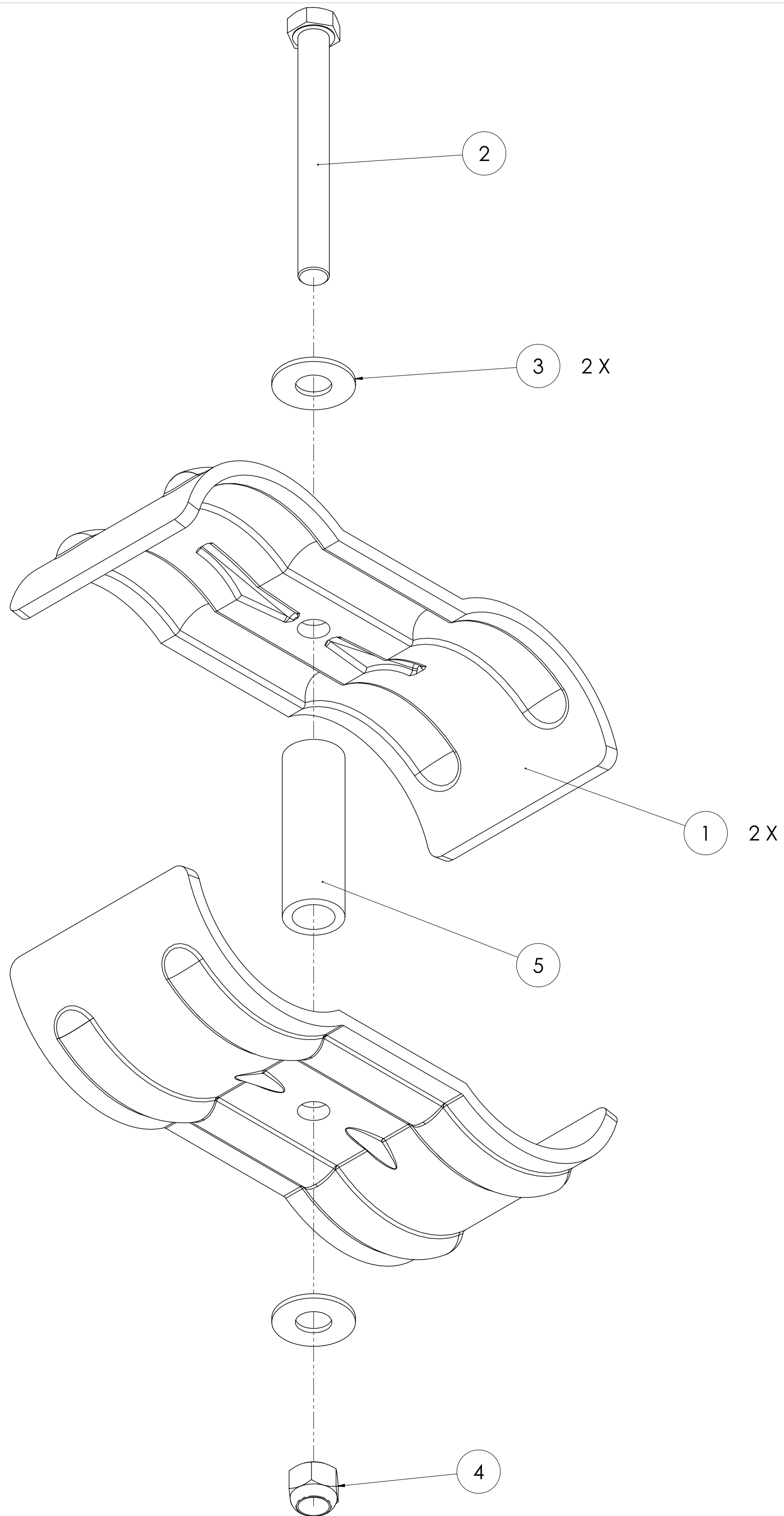
MATRIX

DWG NO.		946-06 & FS946-06 SERVICE	
DESCRIPTION:		Lat Pulldown/Low Row (Strength - Multi Station)	
DRAWN BY:	LMB	DATE:	2018.JAN.08
UPDATED BY:	LG	DATE:	2019.SEP.06



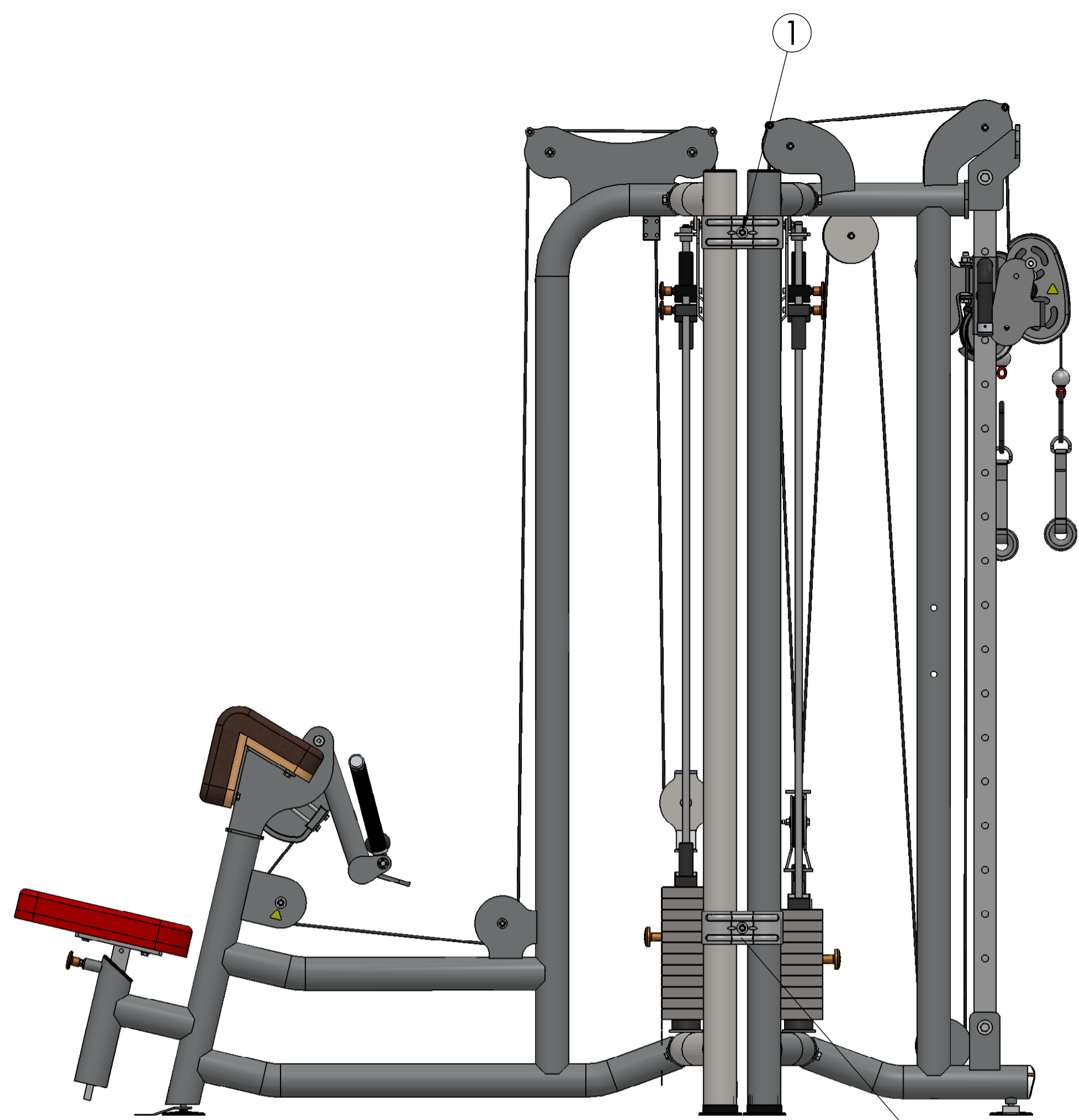
MATRIX

DWG. NO.	KIT1 HAND GRIP		
DESCRIPTION:	HAND GRIP		
DRAWN:	LMB	DATE	13.03.26
UPDATED:	--	DATE	--



MATRIX

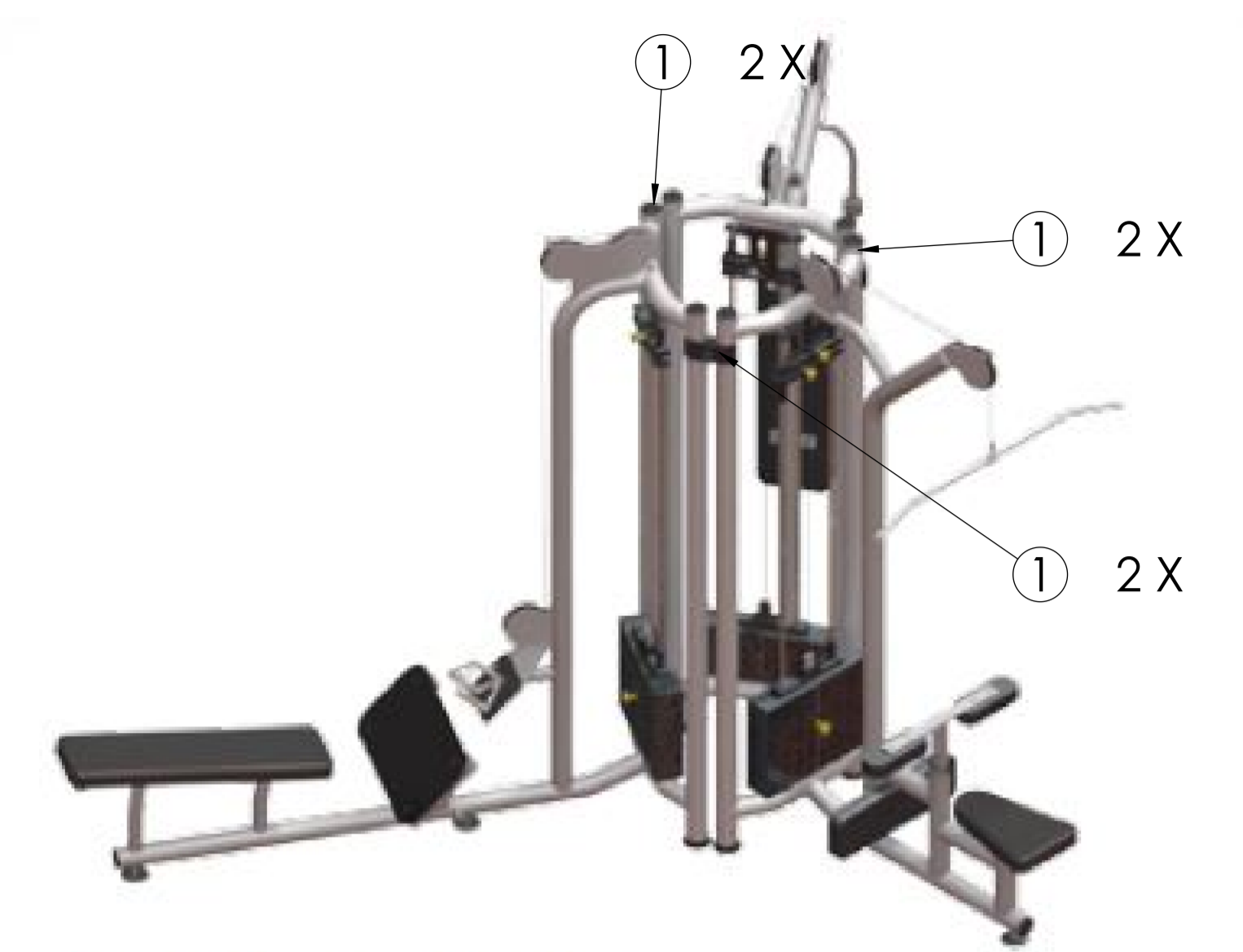
DWG NO.	160-257 SERVICE	
DESCRIPTION:	900 SERIES TOWER CLAMP (SINGLE) (Strength - Multi Station)	
DRAWN BY:	LMB	DATE: 2016.JAN.14
UPDATED BY:		DATE:



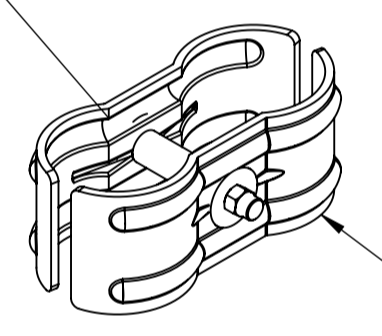
TWO STACK



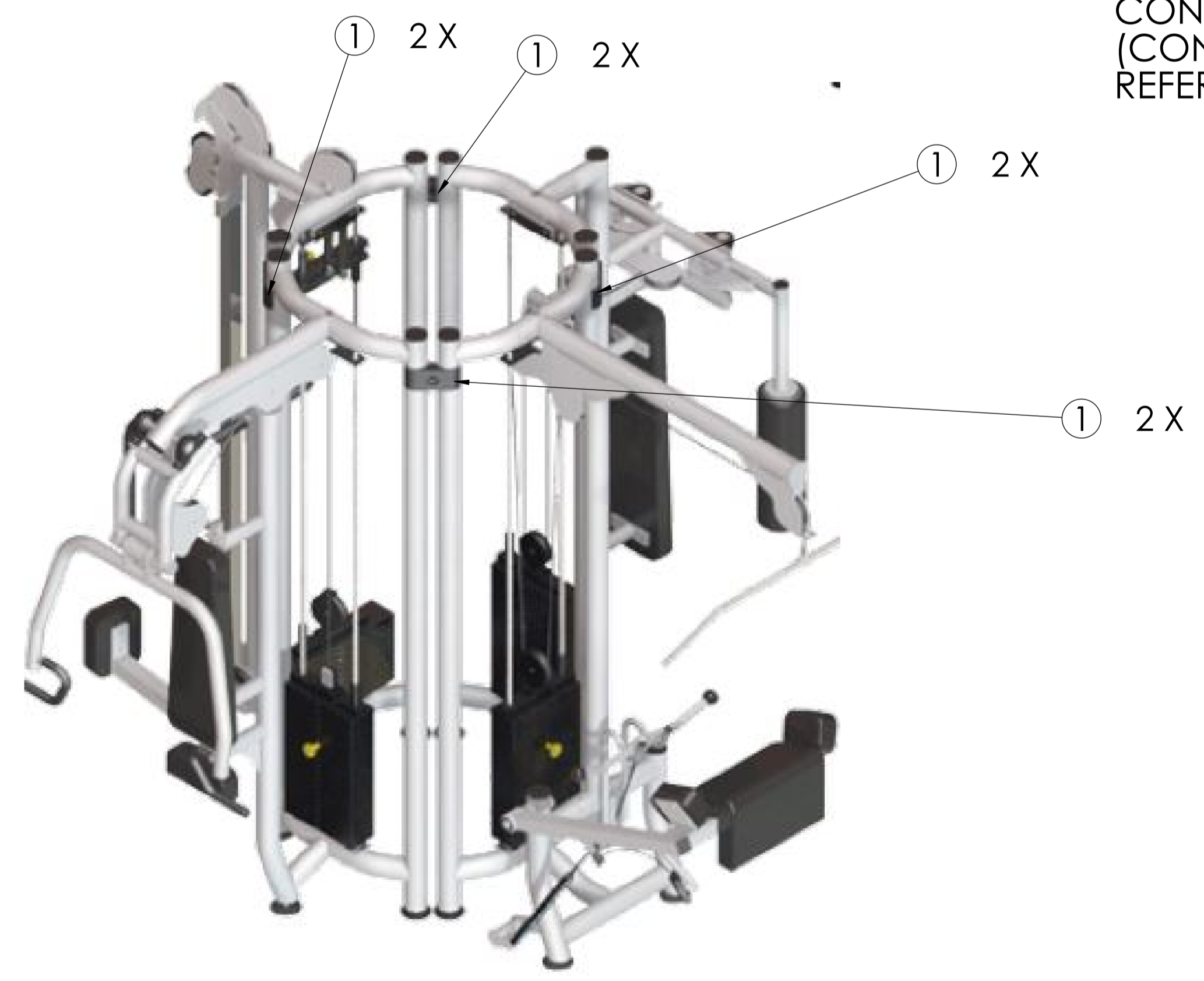
TWO STACK



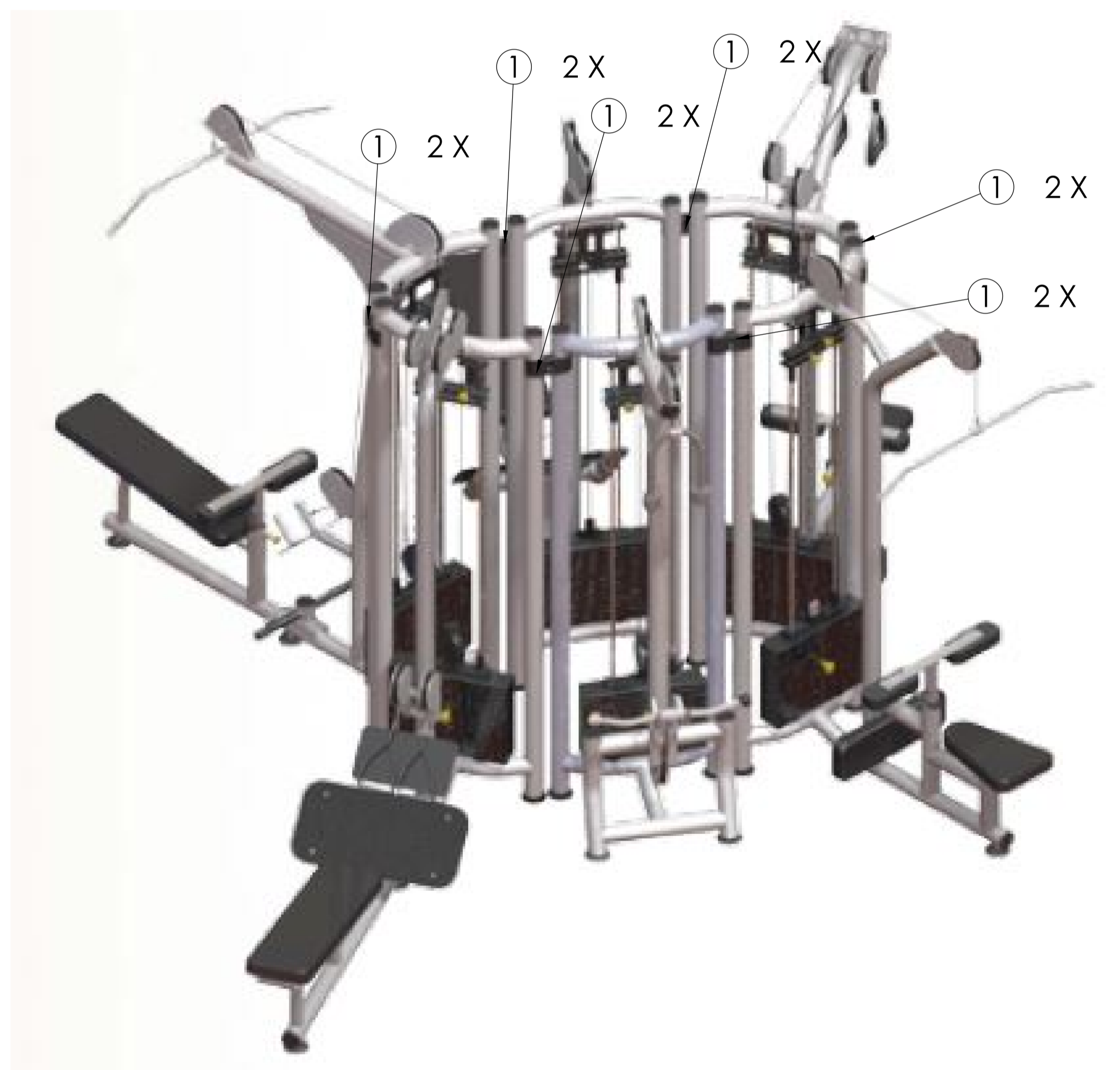
THREE STACK



EXPLODED VIEW SHOWN ON SHEET 1
 NOTE: QUANTITY REQUIRED FOR EACH CONFIGURATION WILL VARY
 (CONFIGURATIONS SHOWN ARE FOR REFERENCE ONLY)



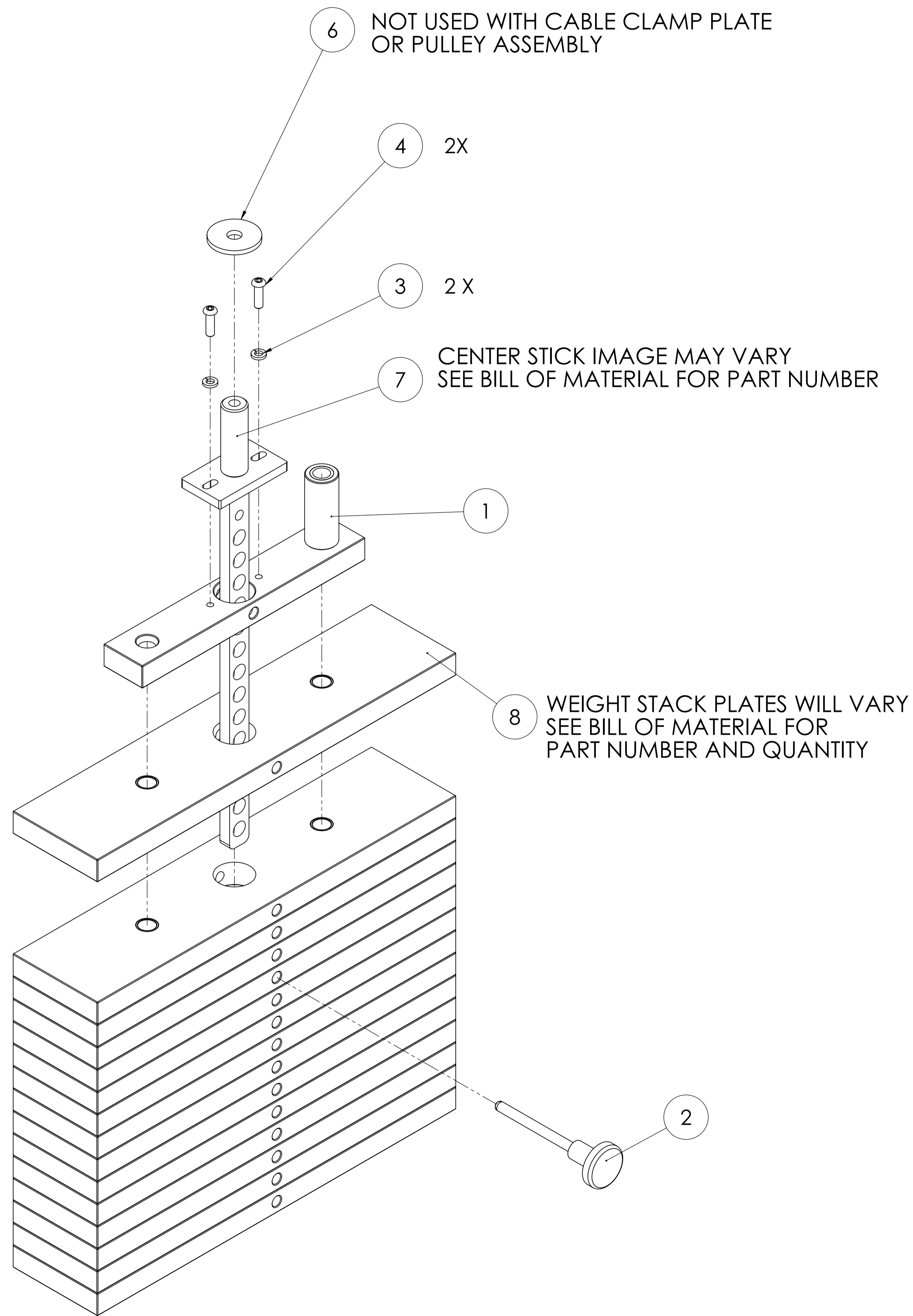
FOUR STACK



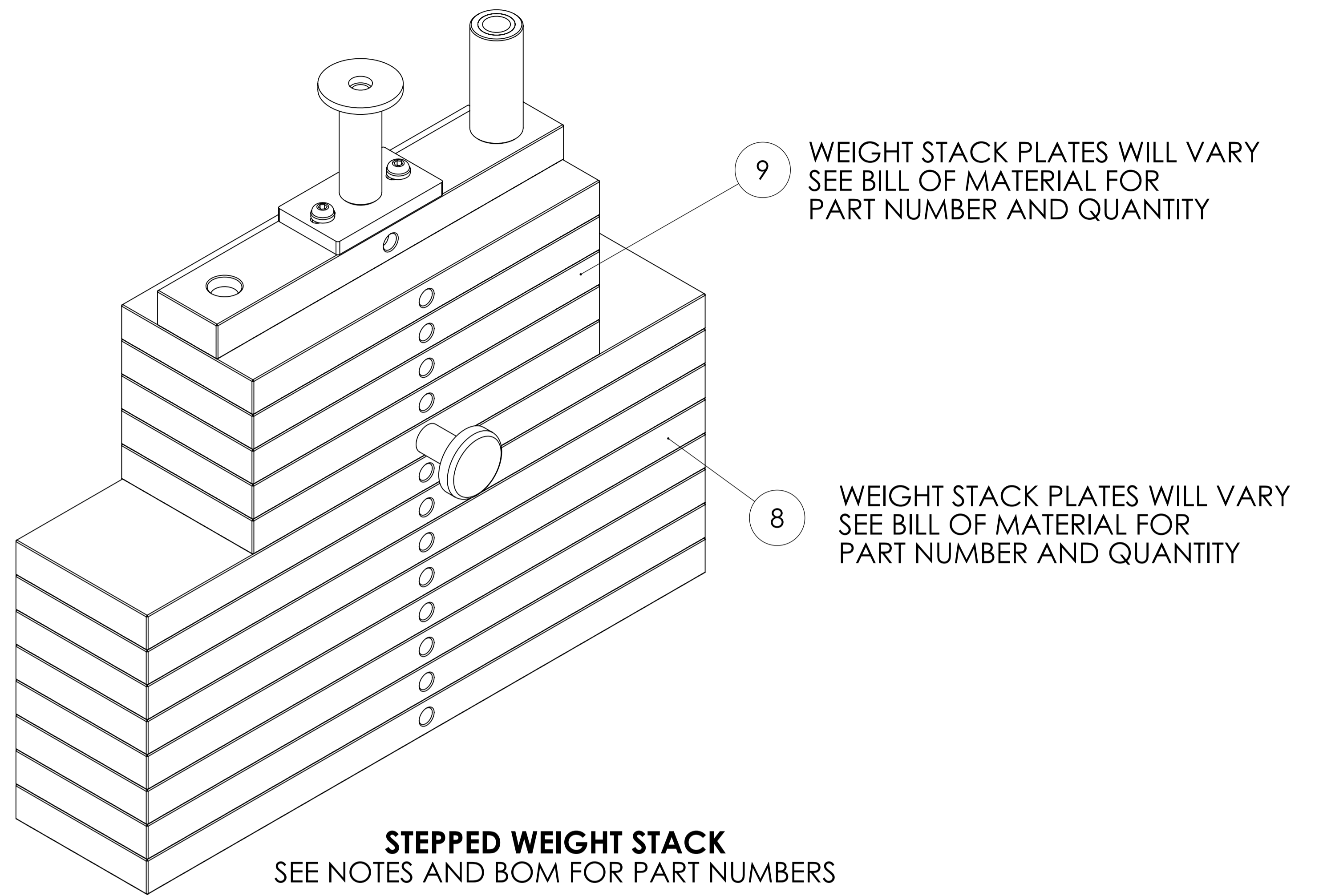
SIX STACK

MATRIX

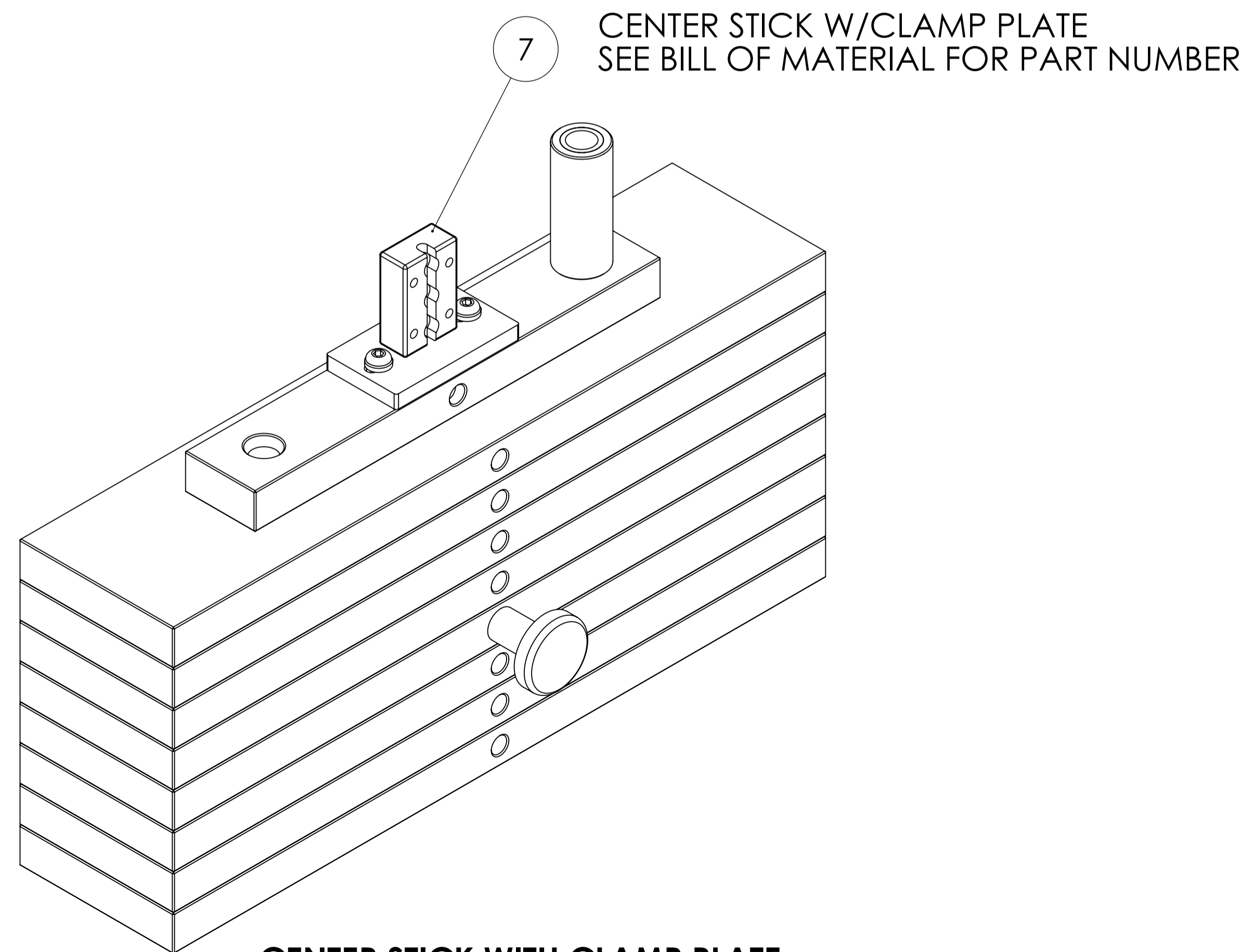
DWG NO.	160-257 SERVICE	
DESCRIPTION:	COUPLER(CONFIGURATIONS) (Strength - Multi Station)	
DRAWN BY:	LMB	DATE: 2016.JAN.14
UPDATED BY:		DATE:



**CENTER STICK WITH MOUNTING POST
CABLE MOUNTED WITH TAKE UP BOLT OR PULLEY
(SHOWN EXPLODED)
SEE NOTES AND BOM FOR PART NUMBERS**



**STEPPED WEIGHT STACK
SEE NOTES AND BOM FOR PART NUMBERS**



**CENTER STICK WITH CLAMP PLATE
SEE NOTES AND BOM FOR PART NUMBERS**

MATRIX

DWG NO. _WEIGHT STACK SERVICE		
DESCRIPTION: WEIGHT STACK/CENTERSTICK ASSY (Take Up Bolt, Pulley & Clamp Style)		
DRAWN BY: LMB	DATE: 2013.OCT.10	
UPDATED BY: LMB	DATE: 2017.DEC.29	