

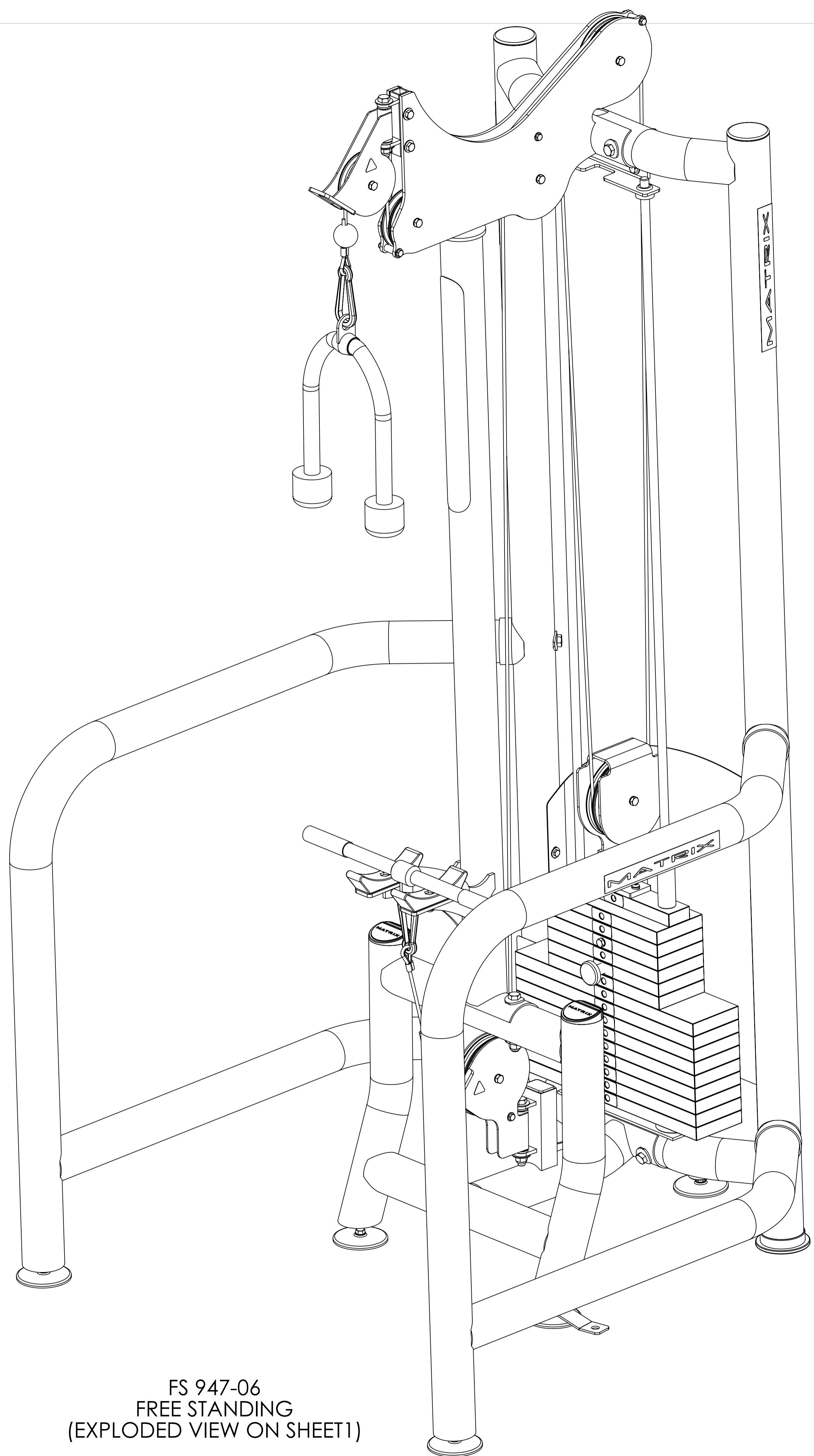
MATRIX

DWG NO. 947-06 & FS947-06 SERVICE

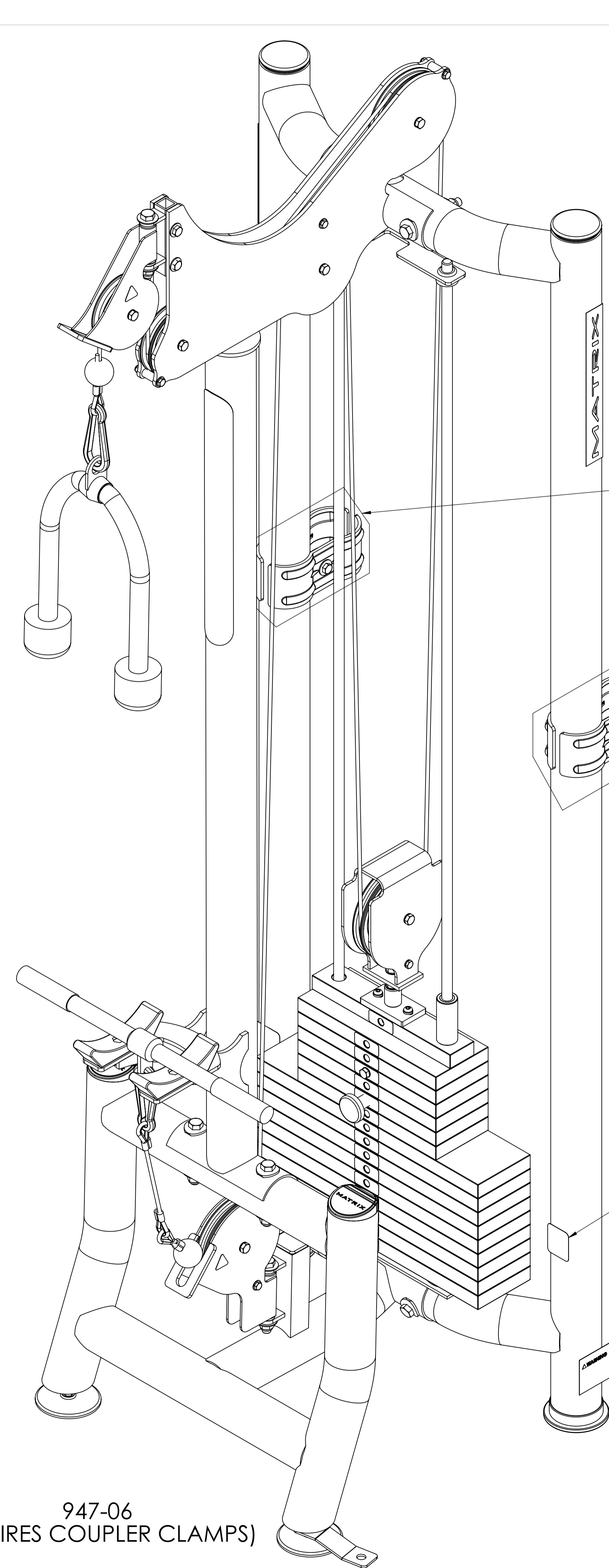
DESCRIPTION: Bicep/Tricep Pushdown
(Strength - Multi Station)

DRAWN BY: LMB DATE: 2018.JAN.25

UPDATED BY: LG DATE: 2019.SEP.04



FS 947-06
FREE STANDING
(EXPLODED VIEW ON SHEET1)



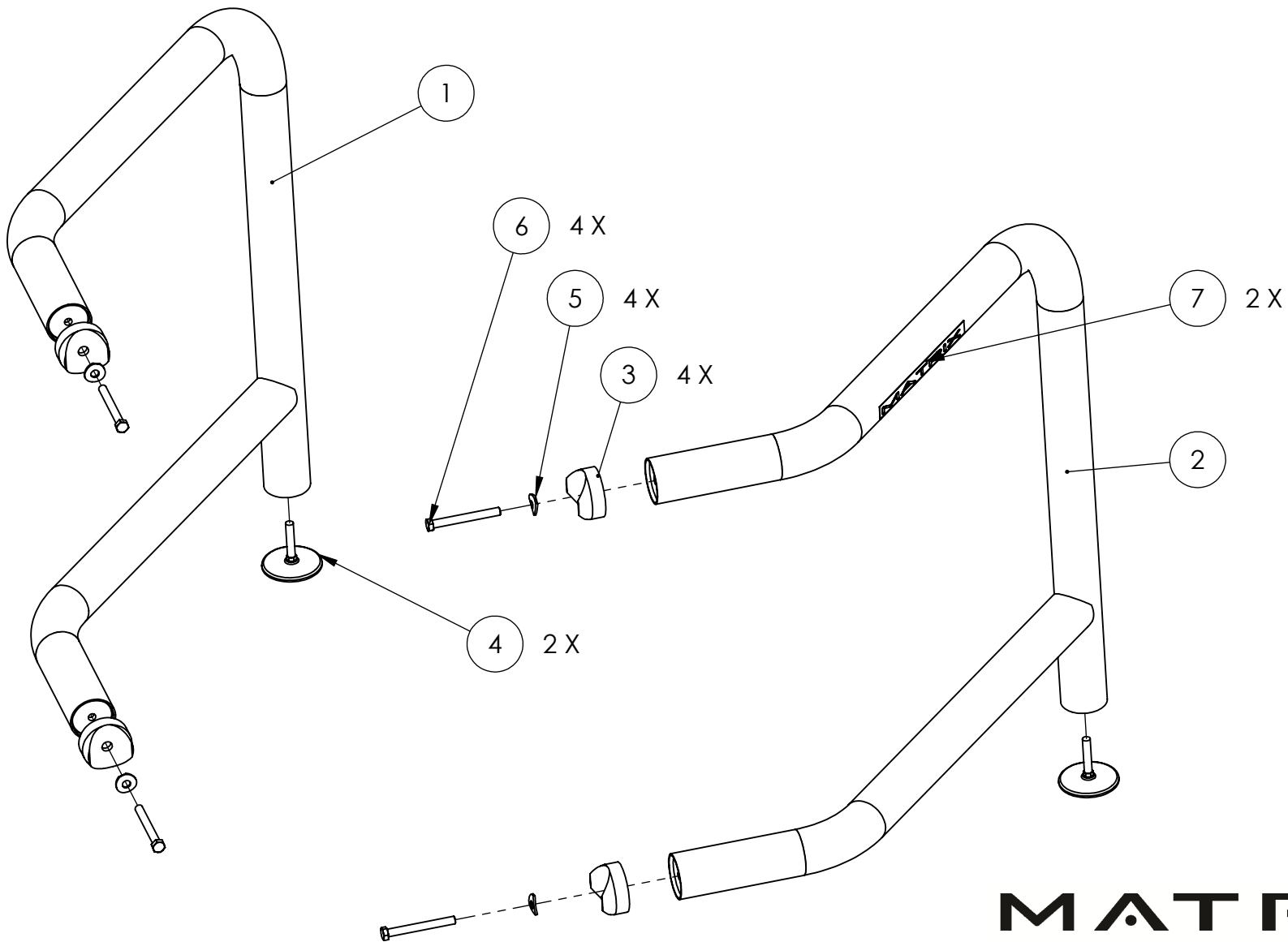
947-06
(REQUIRES COUPLER CLAMPS)

SEE COUPLER
CLAMP SHEET

V1

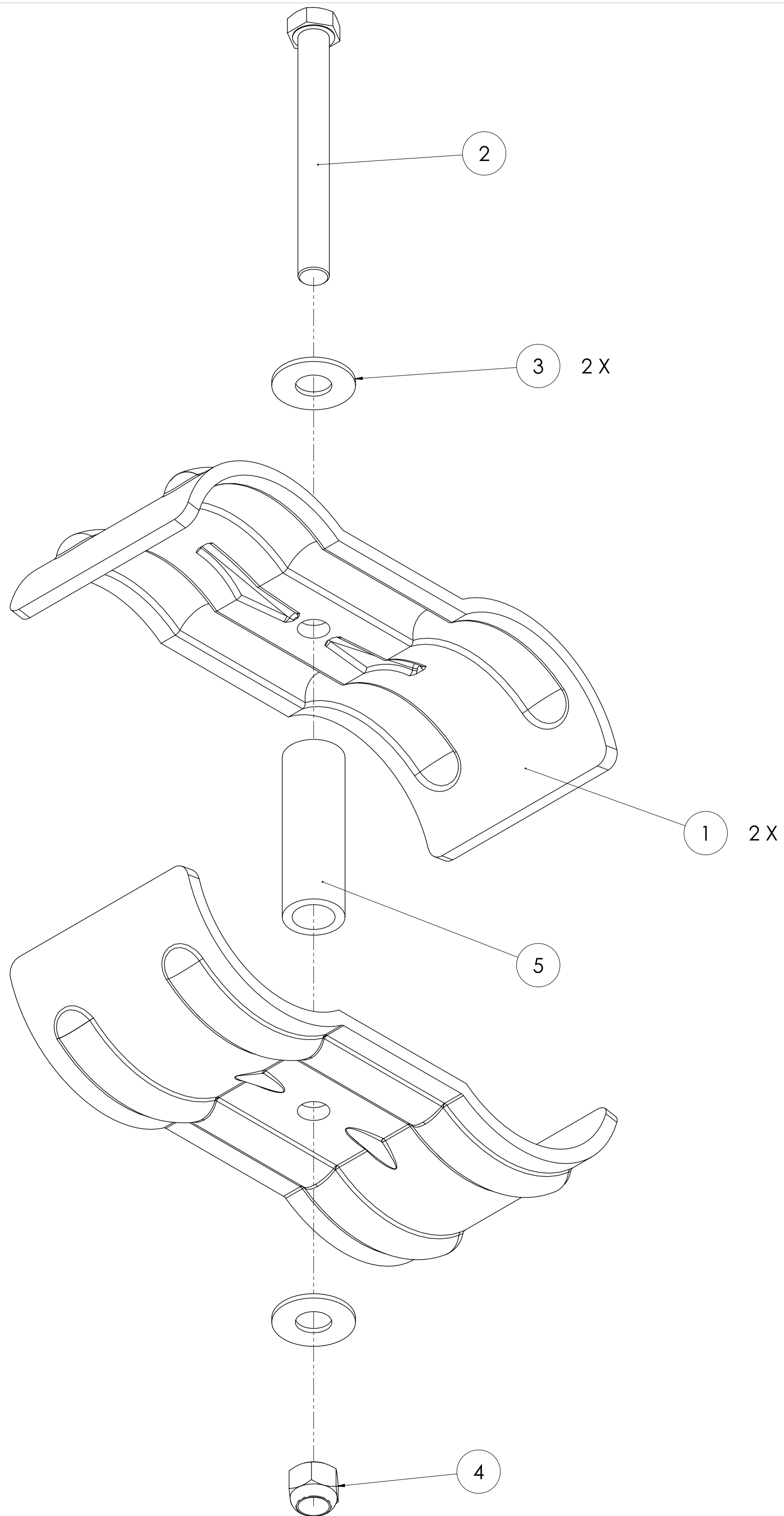
MATRIX

DWG NO.		947-06 & FS947-06 SERVICE	
DESCRIPTION:		Bicep/Tricep Pushdown (Strength - Multi Station)	
DRAWN BY:	LMB	DATE:	2018.JAN.25
UPDATED BY:	LG	DATE:	2019.SEP.04



MATRIX

DWG. NO.	160-122 SERVICE	
DESCRIPTION:	900 TOWER SERIES FREE STANDING (SIDES)	
DRAWN:	LMB	DATE 13.08.06
UPDATED:	--	DATE --



MATRIX

DWG NO.

160-257 SERVICE

DESCRIPTION:

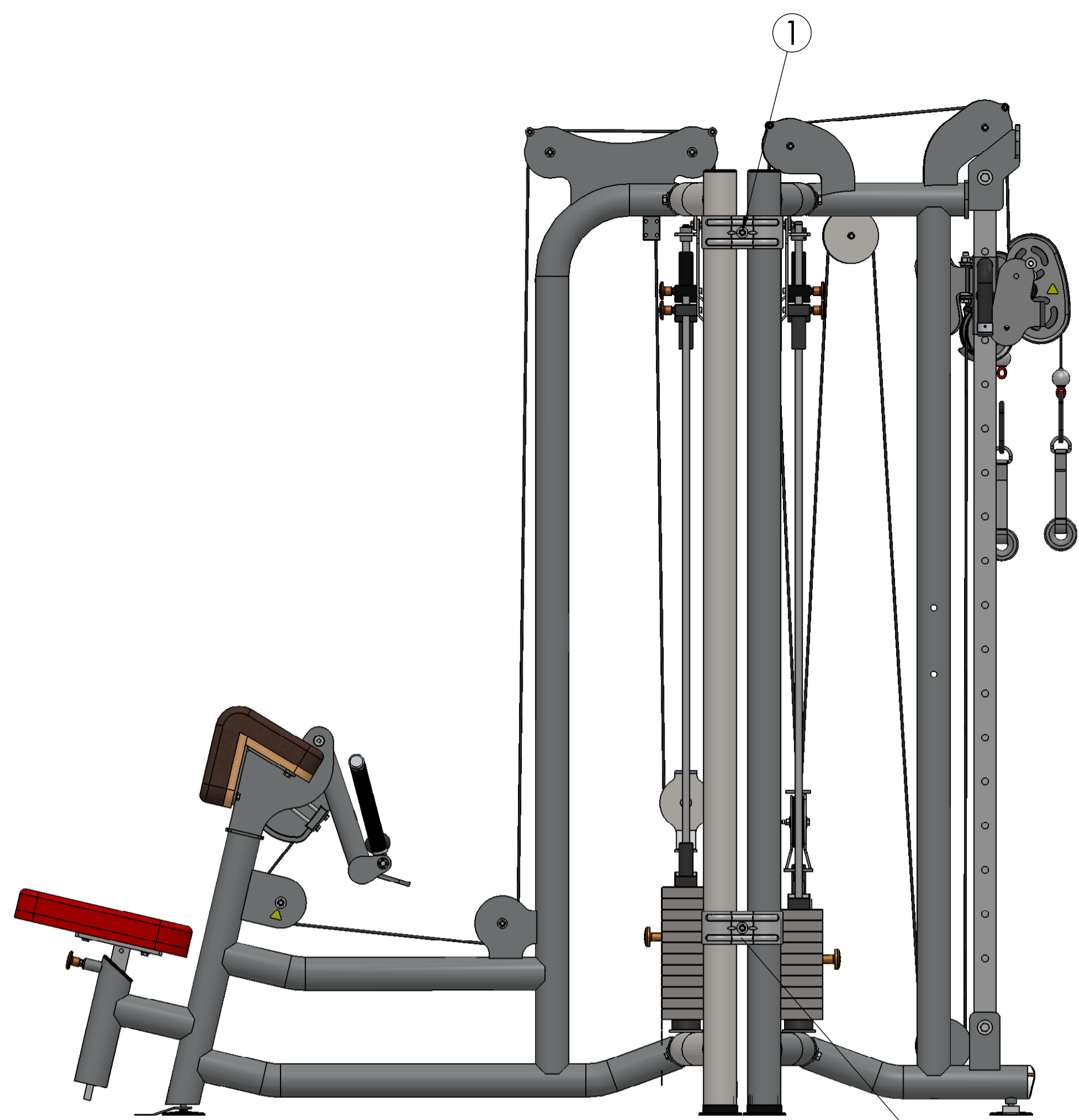
900 SERIES TOWER CLAMP (SINGLE)
(Strength - Multi Station)

DRAWN BY: LMB

DATE: 2016.JAN.14

UPDATED BY:

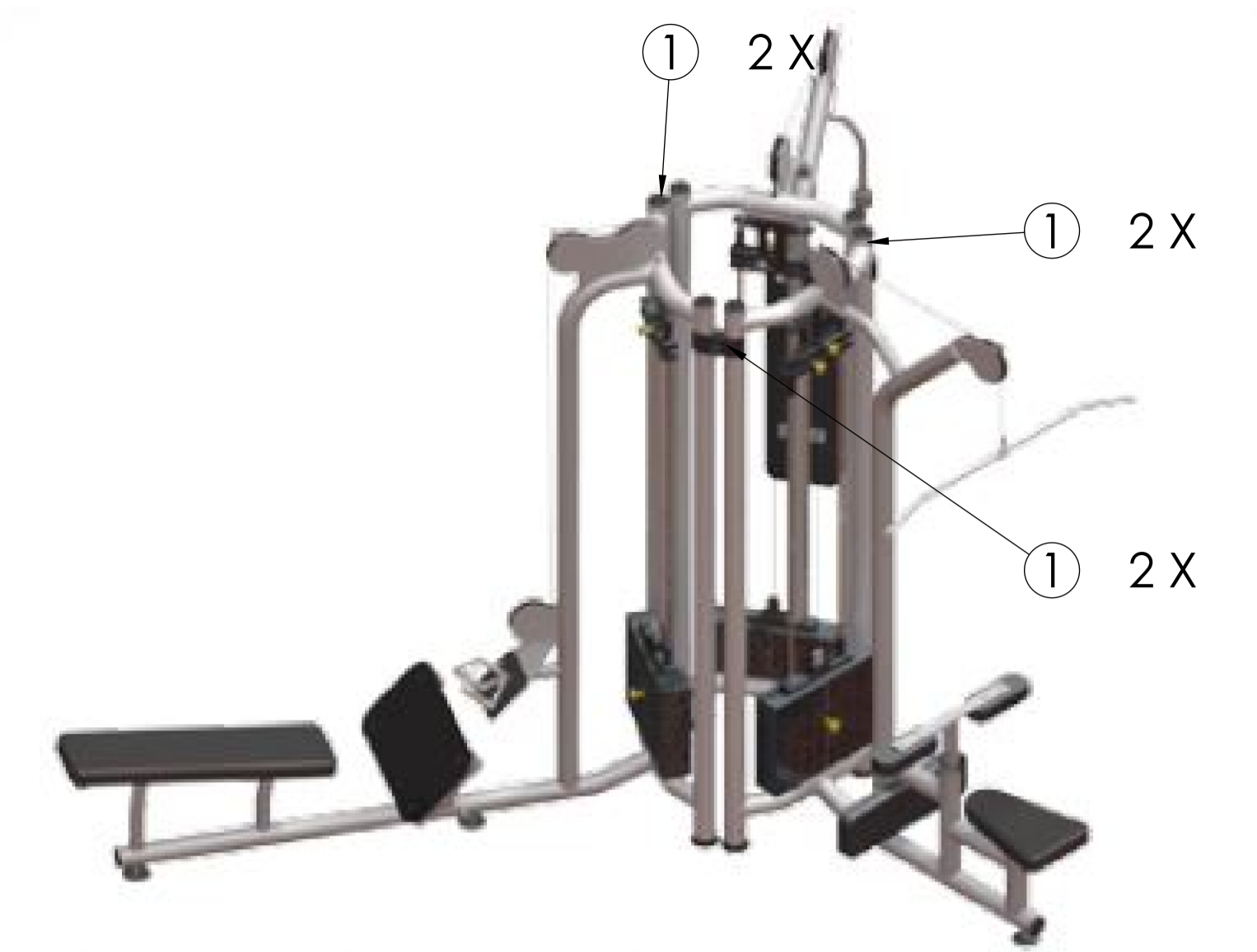
DATE:



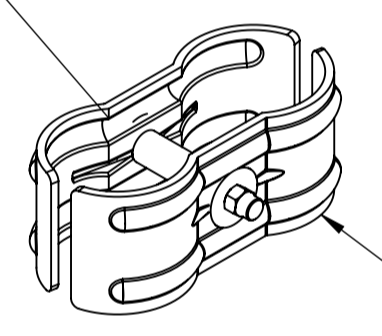
TWO STACK



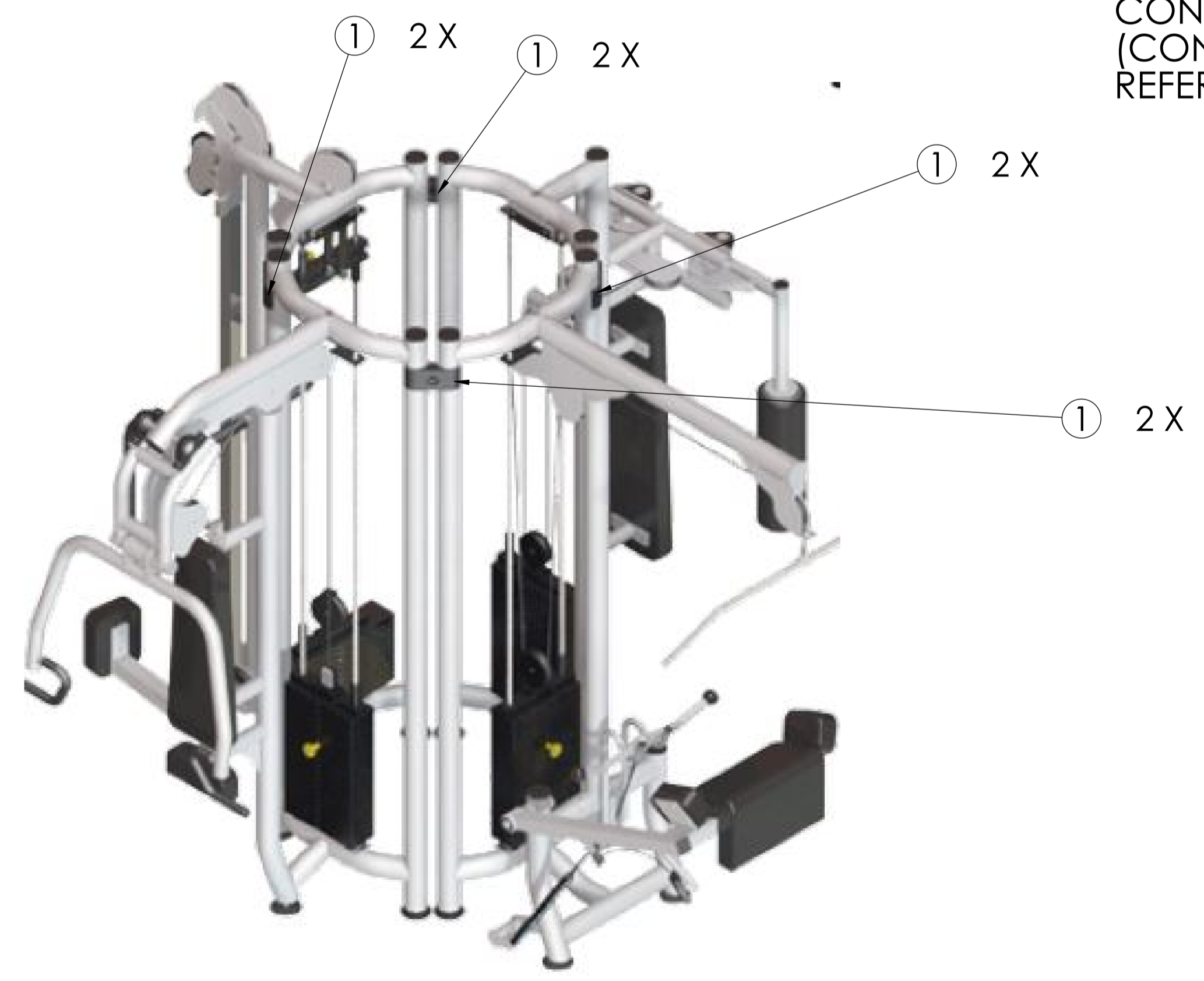
TWO STACK



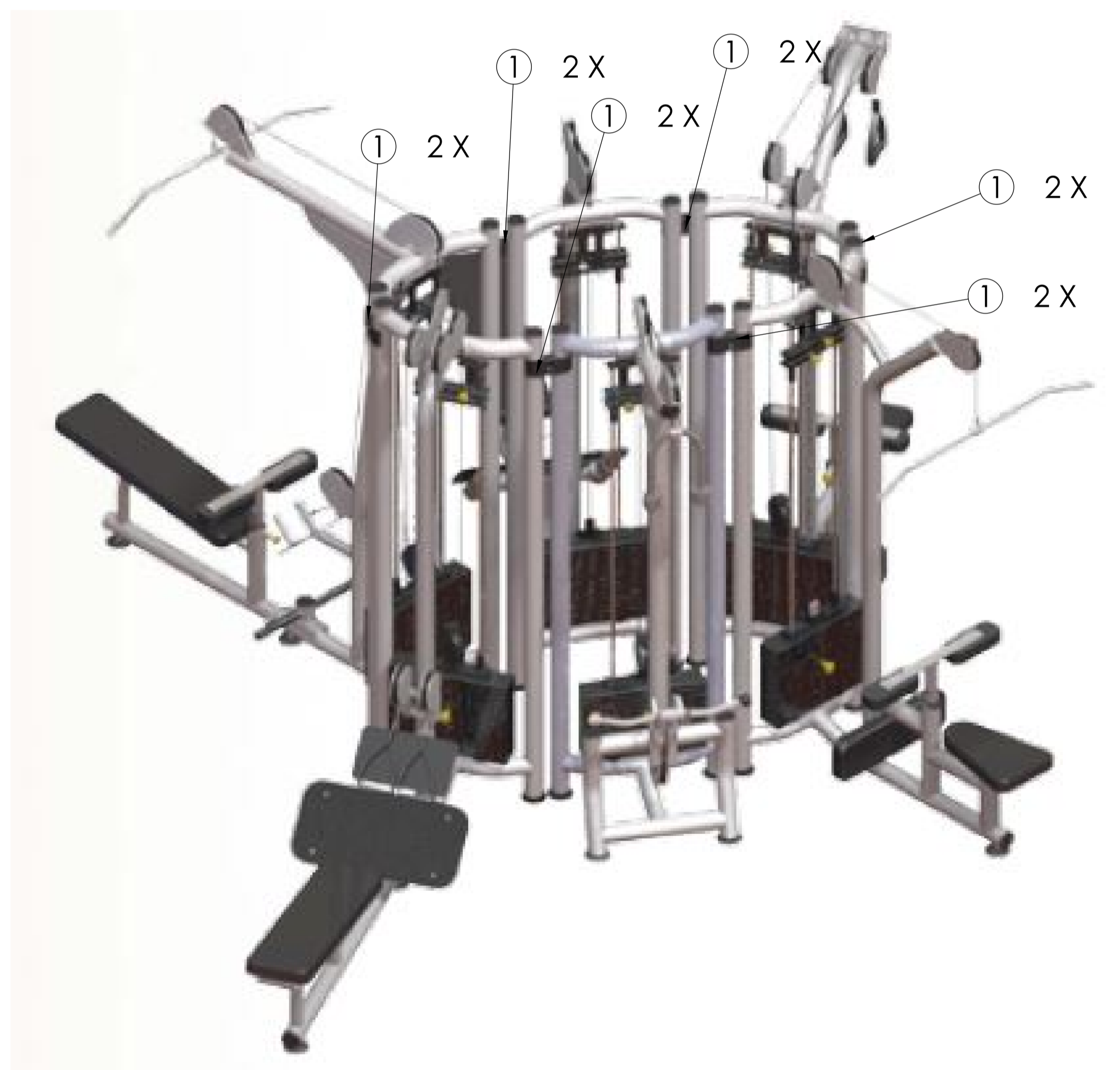
THREE STACK



EXPLODED VIEW SHOWN ON SHEET 1
 NOTE: QUANTITY REQUIRED FOR EACH CONFIGURATION WILL VARY
 (CONFIGURATIONS SHOWN ARE FOR REFERENCE ONLY)



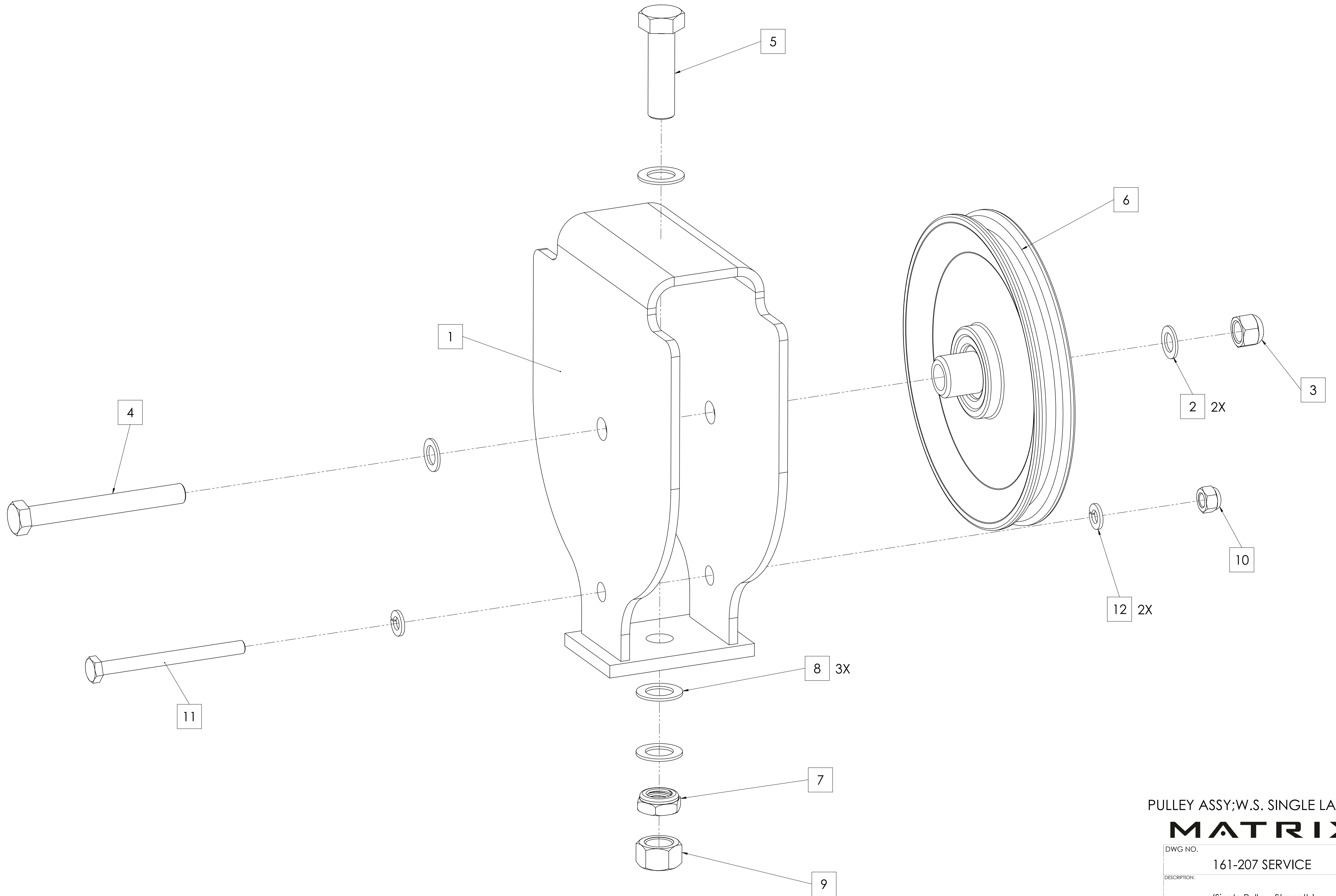
FOUR STACK



SIX STACK

MATRIX

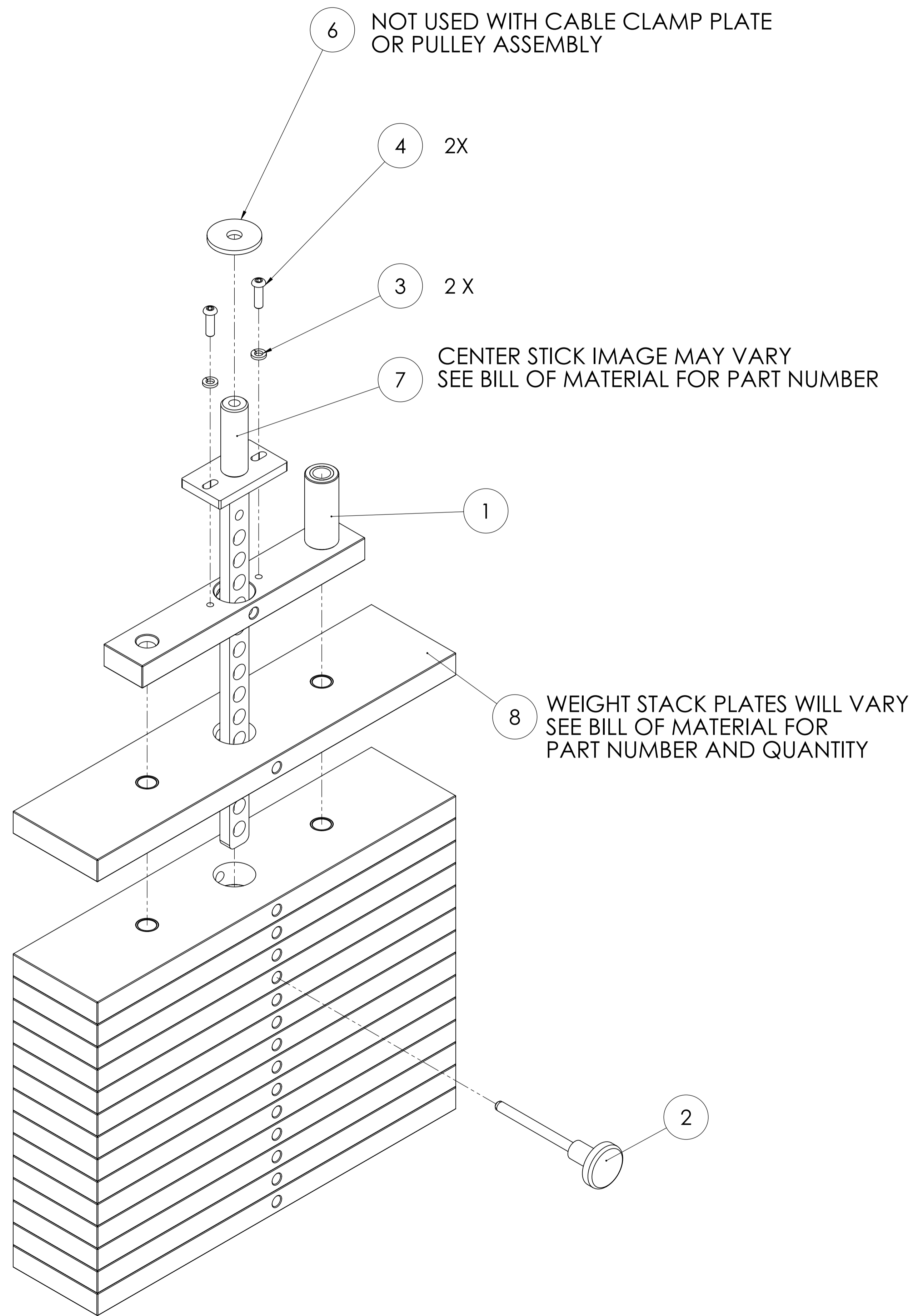
DWG NO.		160-257 SERVICE	
DESCRIPTION:		COUPLER(CONFIGURATIONS) (Strength - Multi Station)	
DRAWN BY:	LMB	DATE:	2016.JAN.14
UPDATED BY:		DATE:	



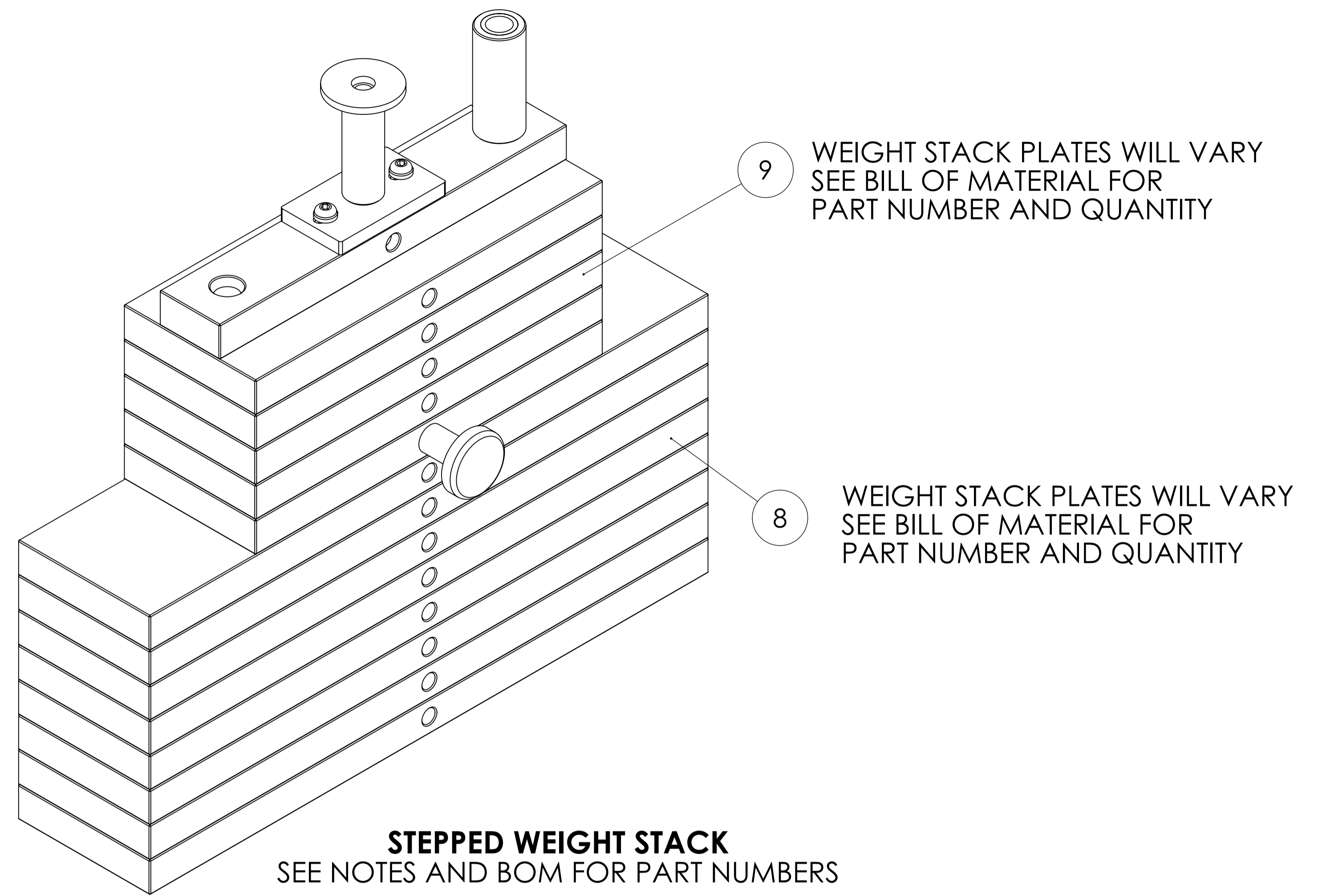
PULLEY ASSY;W.S. SINGLE LARGE

MATRIX

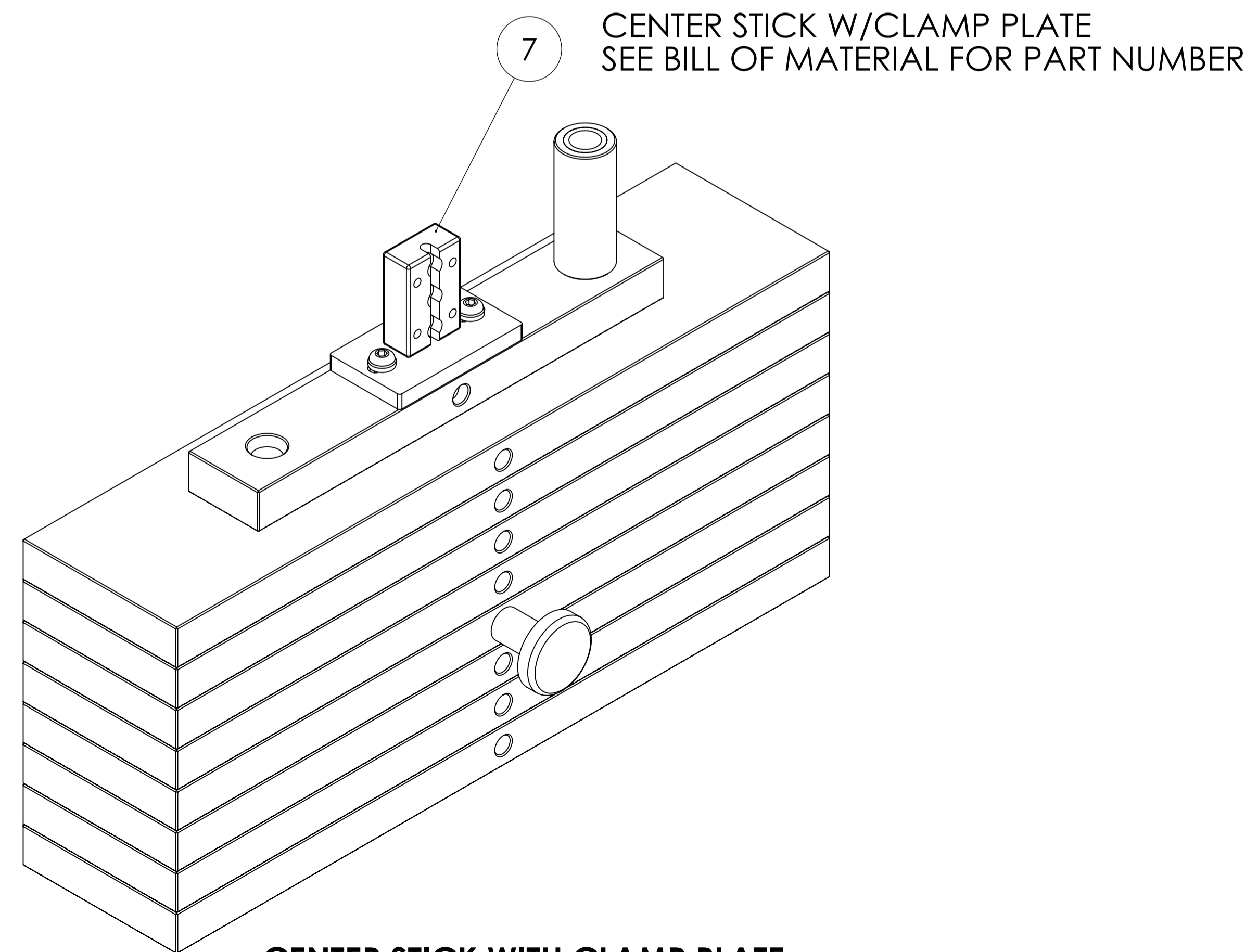
DWG NO.	
161-207 SERVICE	
DESCRIPTION:	
(Single Pulley- Strength)	
DRAWN BY:	LMB DATE: 2017.JAN.17
UPDATED BY:	-- DATE: --



**CENTER STICK WITH MOUNTING POST
CABLE MOUNTED WITH TAKE UP BOLT OR PULLEY
(SHOWN EXPLODED)
SEE NOTES AND BOM FOR PART NUMBERS**



**STEPPED WEIGHT STACK
SEE NOTES AND BOM FOR PART NUMBERS**



**CENTER STICK WITH CLAMP PLATE
SEE NOTES AND BOM FOR PART NUMBERS**

MATRIX

DWG NO.		
_WEIGHT STACK SERVICE		
DESCRIPTION: WEIGHT STACK/CENTERSTICK ASSY (Take Up Bolt, Pulley & Clamp Style)		
DRAWN BY:	LMB	DATE: 2013.OCT.10
UPDATED BY:	LMB	DATE: 2017.DEC.29